



US00D713111S

(12) **United States Design Patent**
Gottschall et al.

(10) **Patent No.:** **US D713,111 S**
(45) **Date of Patent:** **** Sep. 9, 2014**

(54) **VACUUM CLEANER**

(71) Applicant: **Shop Vac Corporation**, Williamsport, PA (US)

(72) Inventors: **Jason Gottschall**, South Williamsport, PA (US); **Robert Lent Crevling, Jr.**, Williamsport, PA (US); **Kevin. D Fry**, South Williamsport, PA (US); **Melvin E. Wolfe, Jr.**, Johnson City, NY (US); **John Griffin**, Phoenix, AZ (US)

(73) Assignee: **Shop Vac Corporation**, Williamsport, PA (US)

(**) Term: **14 Years**

(21) Appl. No.: **29/468,408**

(22) Filed: **Sep. 30, 2013**

(51) **LOC (10) Cl.** **15-05**

(52) **U.S. Cl.**
USPC **D32/31**

(58) **Field of Classification Search**
CPC . A47L 7/004; A47L 11/4036; A47L 11/4041;
A47L 7/0023; A47L 7/009; A47L 11/30;
A47L 11/34
USPC D32/21, 23-24, 31; 15/320-321, 340.2,
15/353, 412, 339, 327.1, 327.6, 327.7
See application file for complete search history.

(56) **References Cited**

U.S. PATENT DOCUMENTS

D507,386 S * 7/2005 Griffin et al. D32/21
D527,504 S * 8/2006 Griffin et al. D32/21
D568,562 S * 5/2008 Griffin et al. D32/23

D568,564 S * 5/2008 Griffin et al. D32/31
D587,414 S * 2/2009 Griffin et al. D32/31
D588,316 S * 3/2009 Griffin D32/31
D599,968 S * 9/2009 Crevling et al. D32/23
D615,718 S * 5/2010 Crevling et al. D32/23
D623,812 S * 9/2010 Seasholtz et al. D32/31
D623,813 S * 9/2010 Seasholtz et al. D32/31
D631,216 S * 1/2011 Crevling et al. D32/31
D634,084 S * 3/2011 Griffin et al. D32/31
D644,800 S * 9/2011 Seasholtz et al. D32/31
D644,801 S * 9/2011 Crevling et al. D32/31
D672,929 S * 12/2012 Gottschall et al. D32/31
D675,389 S * 1/2013 Seasholtz et al. D32/31
D683,090 S * 5/2013 Griffin et al. D32/23
D683,091 S * 5/2013 Griffin et al. D32/23
D691,339 S * 10/2013 Griffin et al. D32/31
2013/0009371 A1 * 1/2013 Martinez 280/79.2

* cited by examiner

Primary Examiner — Ruth McInroy

(74) *Attorney, Agent, or Firm* — Marshall, Gerstein & Borun LLP

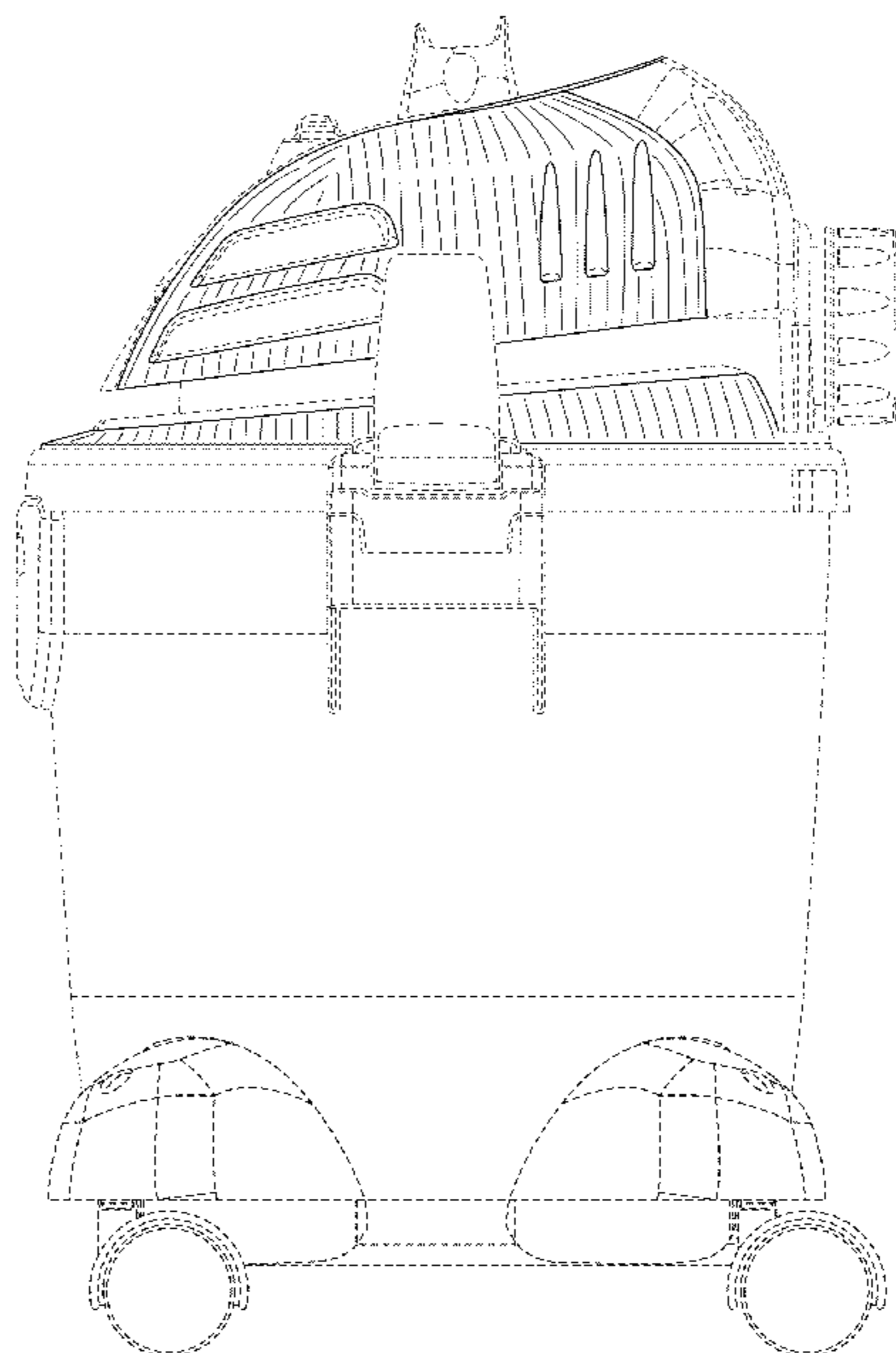
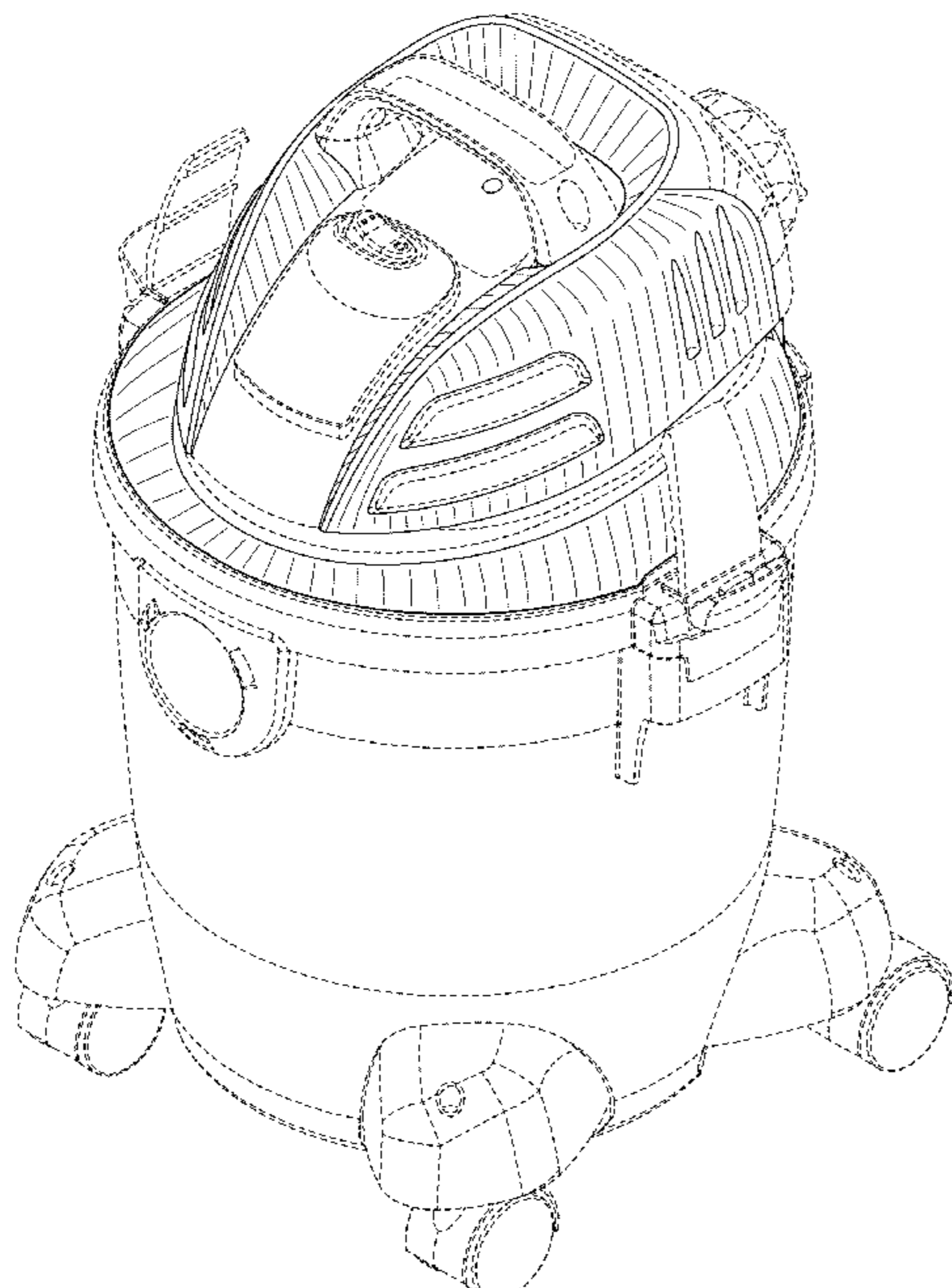
(57) **CLAIM**

We claim the ornamental design for a vacuum cleaner, as shown and described.

DESCRIPTION

FIG. 1 is a top, front and right side isometric view of a vacuum cleaner showing our new design;
FIG. 2 is a front elevation view thereof;
FIG. 3 is a right side elevation view thereof;
FIG. 4 is a rear elevation view thereof;
FIG. 5 is a left side elevation view thereof; and,
FIG. 6 is a top plan view thereof.
The broken lines show elements of the vacuum cleaner that form no part of the claimed design.

1 Claim, 6 Drawing Sheets



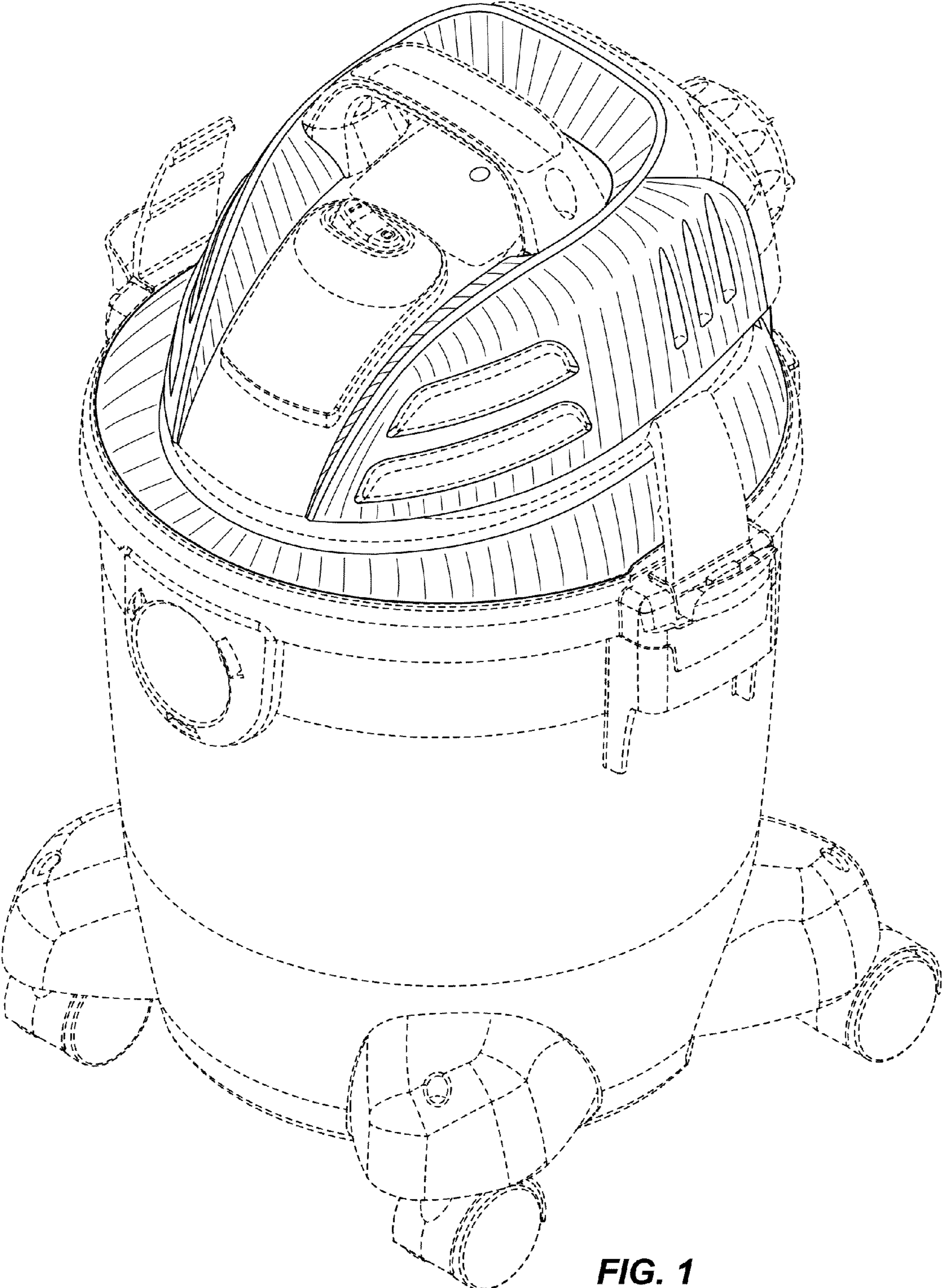


FIG. 1

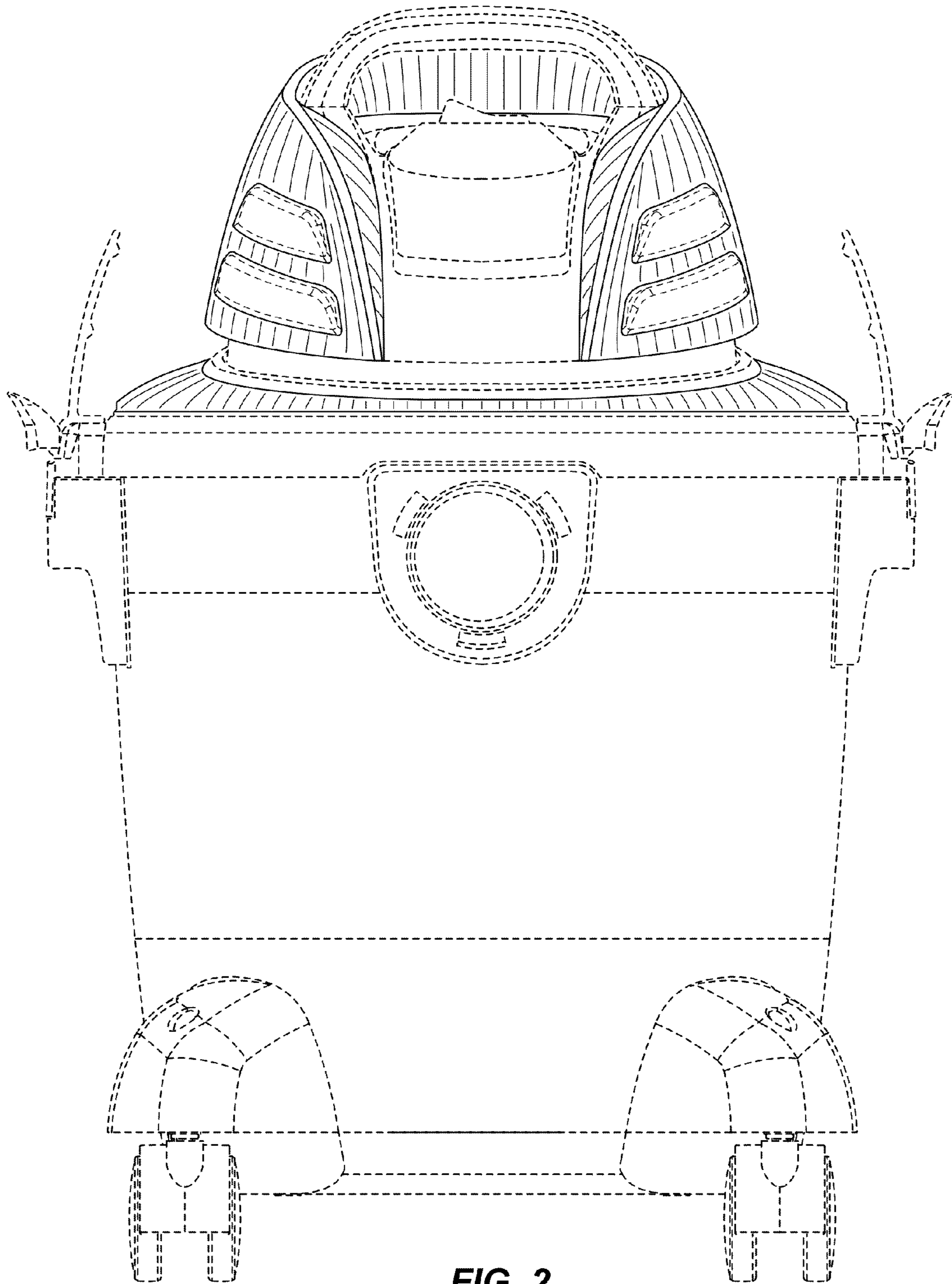


FIG. 2

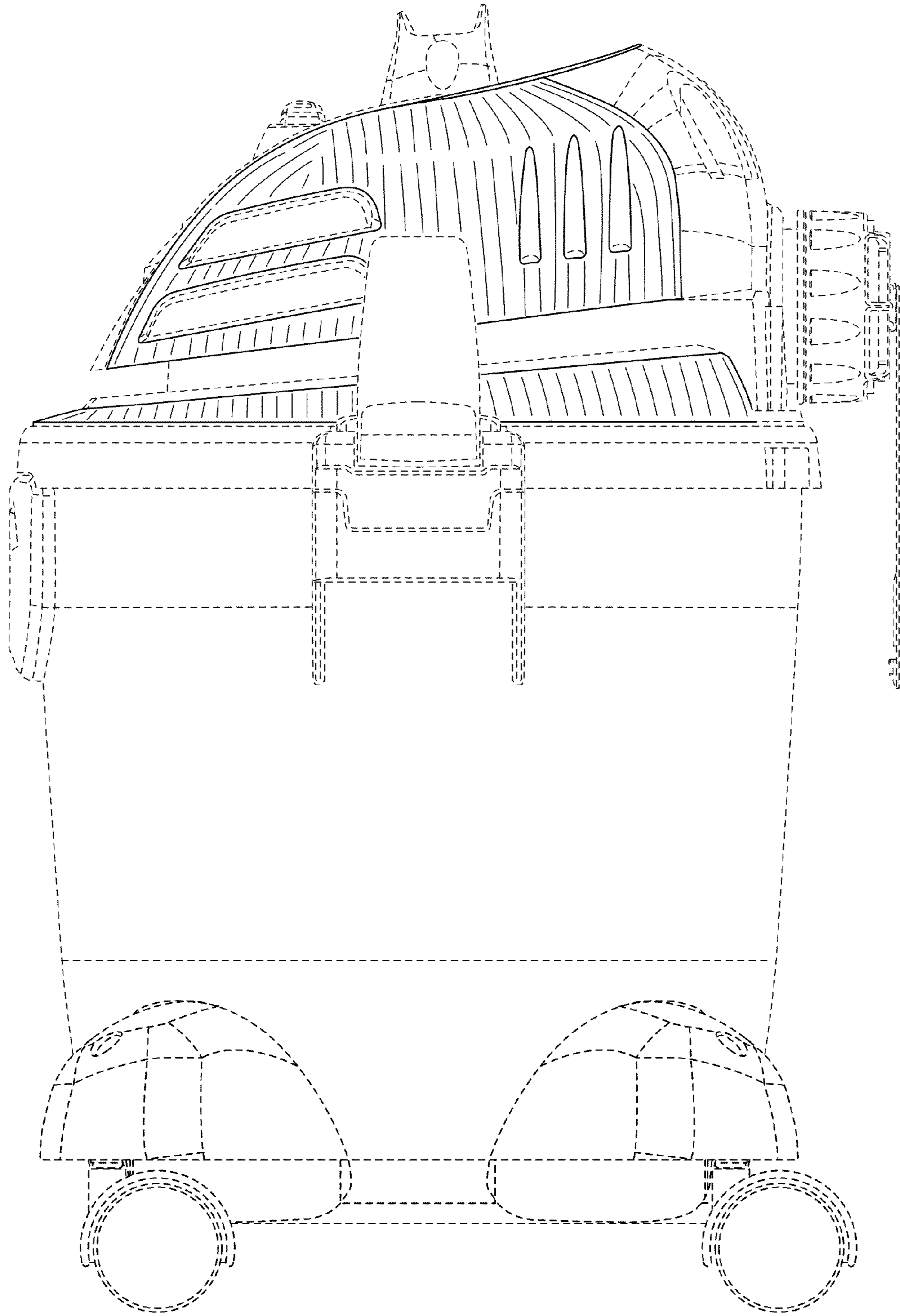


FIG. 3

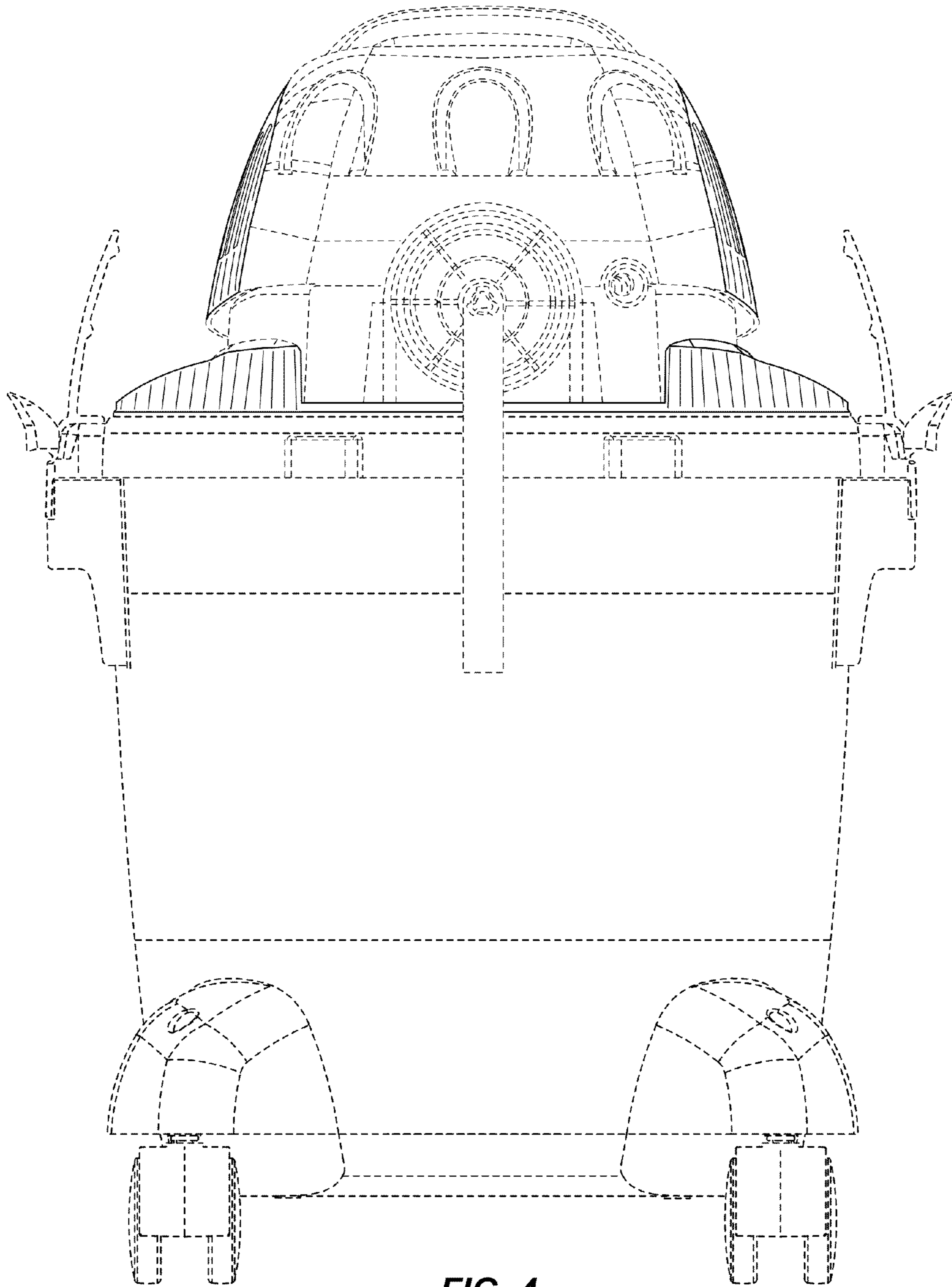


FIG. 4

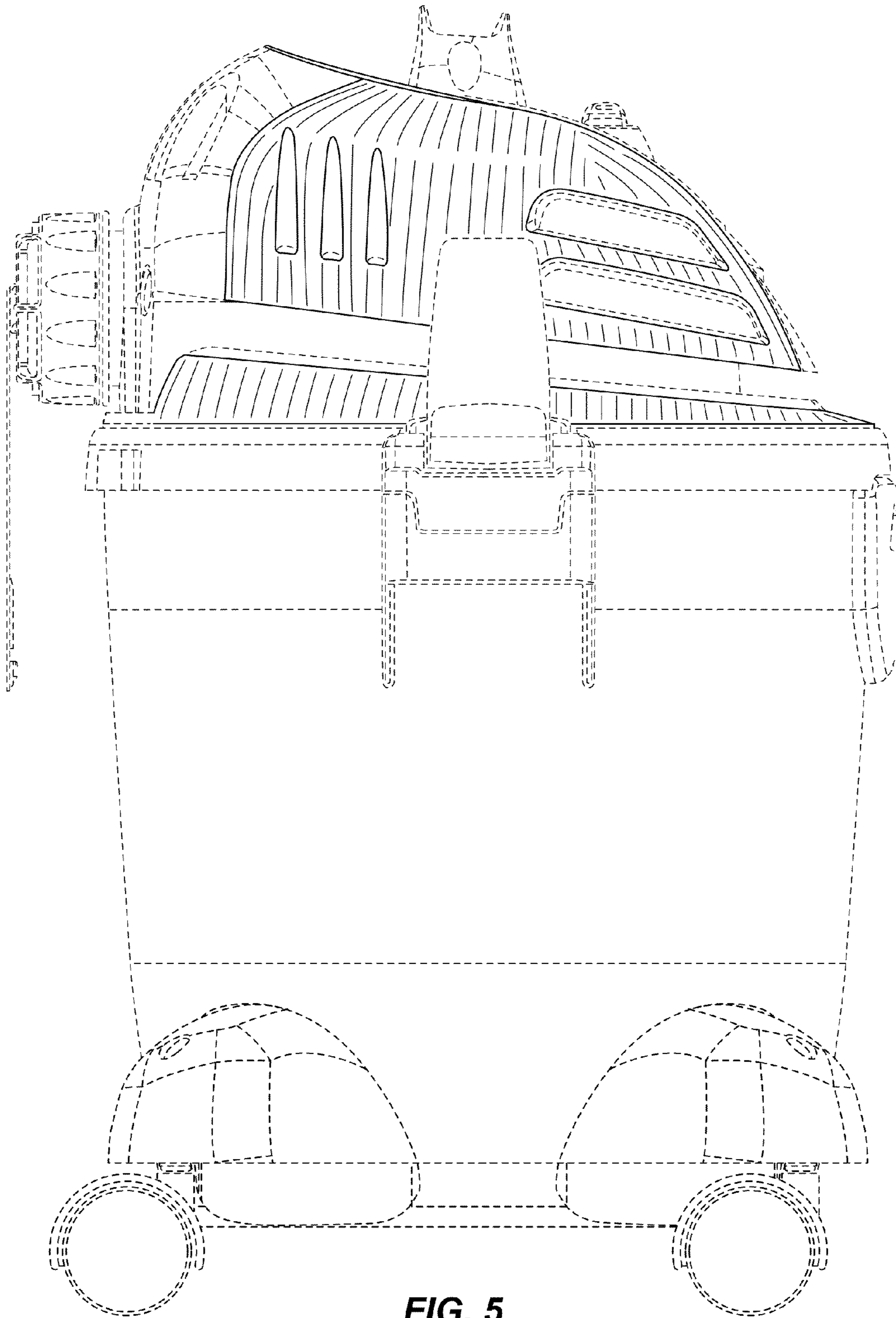


FIG. 5

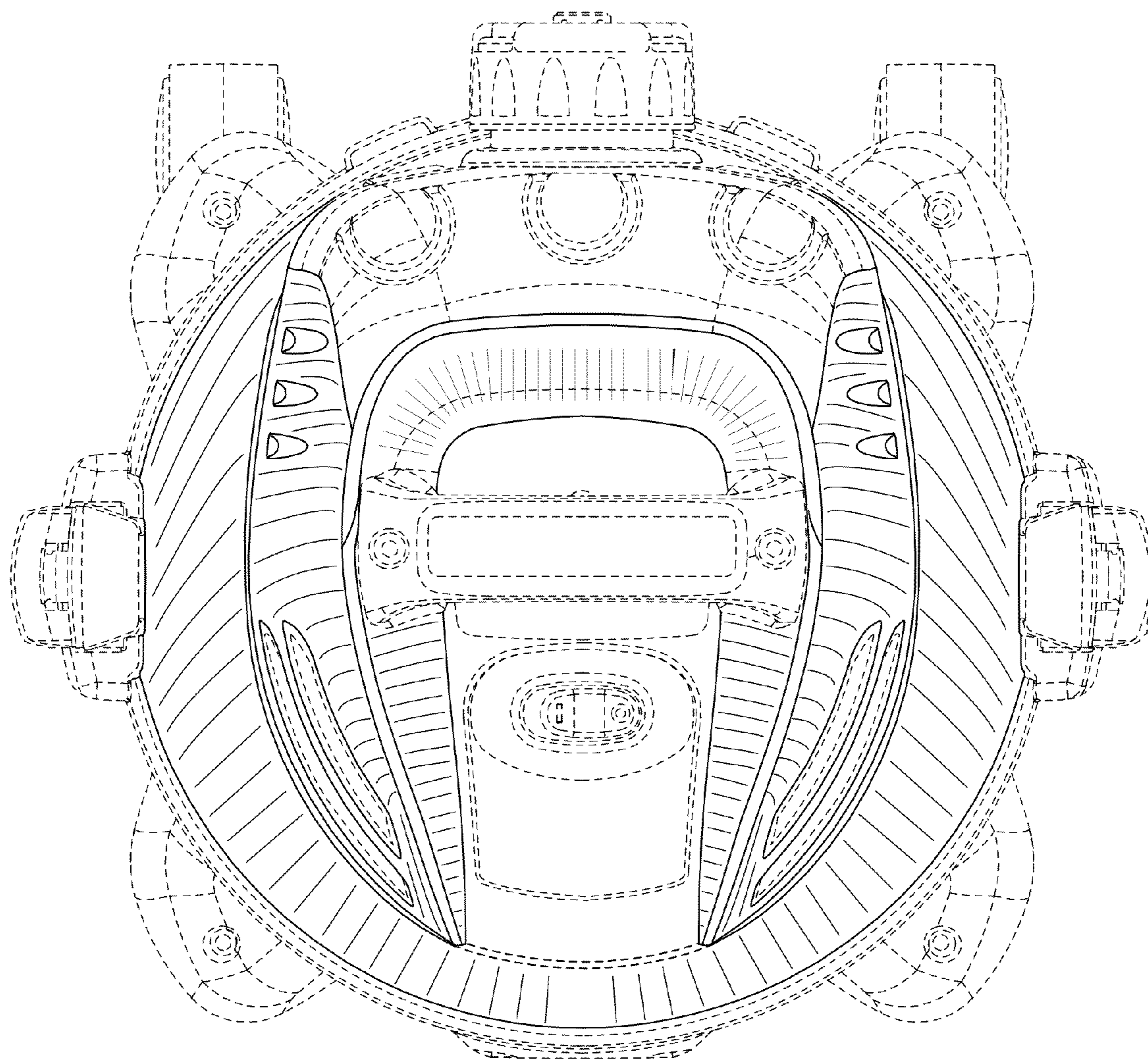


FIG. 6