



US00D713110S

(12) **United States Design Patent**
Erlich et al.

(10) **Patent No.:** **US D713,110 S**

(45) **Date of Patent:** **** Sep. 9, 2014**

(54) **HAND-HELD SUBMERSIBLE BROOM
VACUUM CLEANER**

(71) Applicant: **Water Tech LLC**, East Brunswick, NJ
(US)

(72) Inventors: **Guy Erlich**, Monroe Township, NJ (US);
Jon Elmaleh, Brooklyn, NY (US);
James Kosmyna, Old Bridge, NJ (US)

(73) Assignee: **Water Tech LLC**, Eat Brunswick, NJ
(US)

(**) Term: **14 Years**

(21) Appl. No.: **29/458,984**

(22) Filed: **Jun. 25, 2013**

(51) **LOC (10) Cl.** **15-05**

(52) **U.S. Cl.**
USPC **D32/31**

(58) **Field of Classification Search**
USPC D32/18, 21, 22, 31; 15/1, 7, 344;
210/167.1, 241, 167.12, 167.15,
210/167.16

See application file for complete search history.

(56) **References Cited**

U.S. PATENT DOCUMENTS

4,935,980	A *	6/1990	Leginus et al.	15/1.7
4,962,559	A *	10/1990	Schuman	15/1.7
5,542,142	A *	8/1996	Young	15/1.7
D398,099	S *	9/1998	Leung	D32/22
5,839,158	A *	11/1998	Schupp et al.	15/350
D406,420	S *	3/1999	Sin	D32/22

D420,774	S *	2/2000	Schupp	D32/22
6,125,500	A *	10/2000	Kat	15/344
D443,959	S *	6/2001	Leibson	D32/15
D487,826	S *	3/2004	Supra	D32/25
D490,195	S *	5/2004	Rod	D32/1
D522,700	S *	6/2006	Rademeyer	D32/15
7,178,188	B1 *	2/2007	Jaakola	15/1.7
D611,665	S *	3/2010	Braithwaite	D32/22
D637,779	S *	5/2011	Bruneel	D32/31
D660,526	S *	5/2012	Erlich et al.	D32/18
8,281,441	B1 *	10/2012	Erlich et al.	15/1.7
2003/0101523	A1 *	6/2003	Lepley, Jr.	15/1.7

* cited by examiner

Primary Examiner — Ruth McInroy

(74) *Attorney, Agent, or Firm* — Abelman, Frayne & Schwab

(57) **CLAIM**

The ornamental design for a hand-held submersible broom vacuum cleaner, as shown and described.

DESCRIPTION

FIG. 1 is a bottom, front, left side perspective view of a hand-held submersible power cleaner showing our new design;

FIG. 2 is a front elevational view thereof;

FIG. 3 is a bottom plan view thereof;

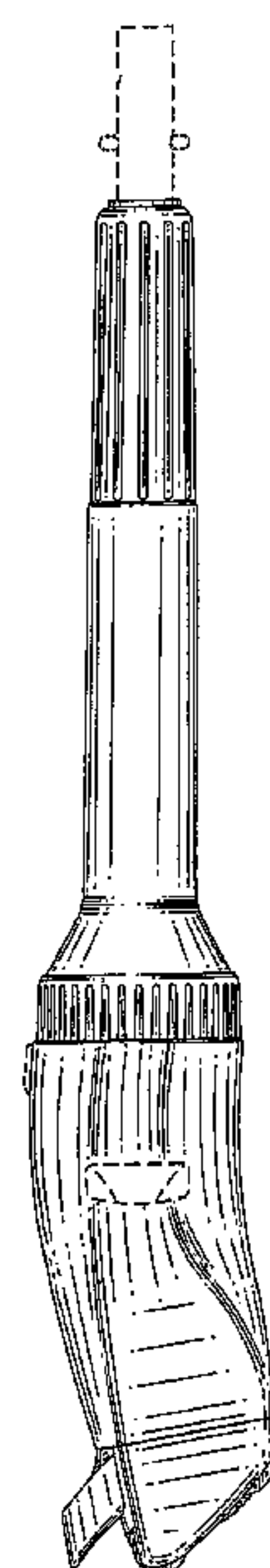
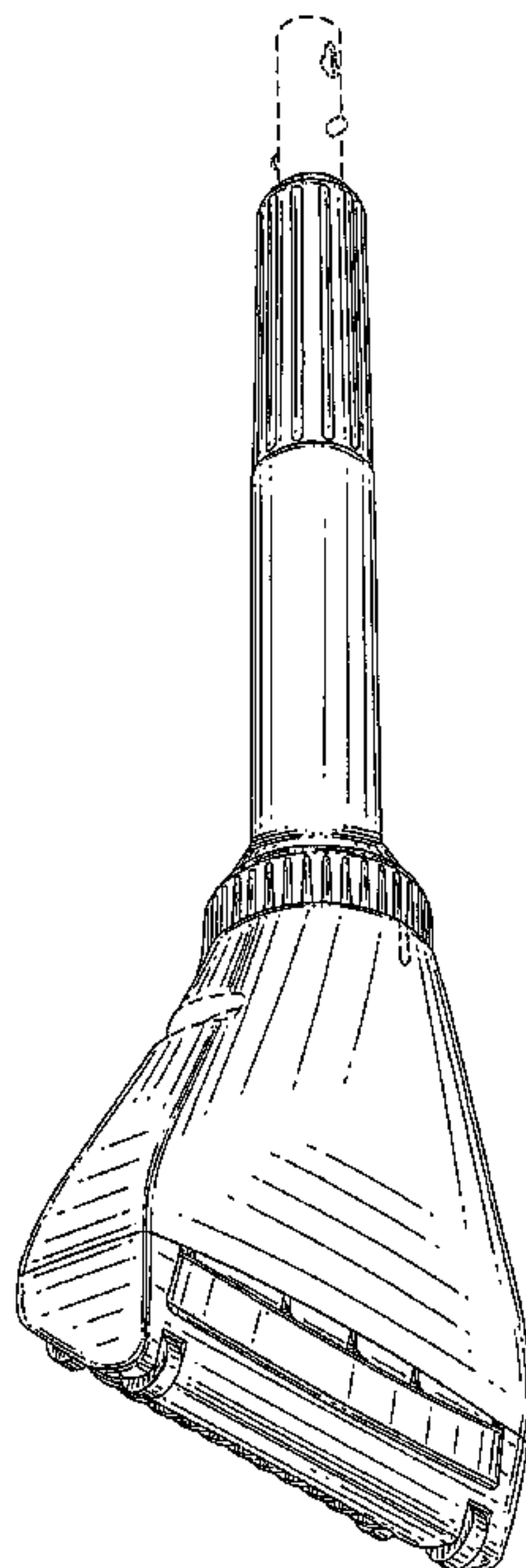
FIG. 4 is a right side elevational view thereof, the left side being a mirror image thereof;

FIG. 5 is a top plan view thereof; and,

FIG. 6 is a rear elevational view thereof.

The broken lines showing structural features are included for the purpose of illustrating non-claimed subject matter and form no part of the claimed design.

1 Claim, 6 Drawing Sheets



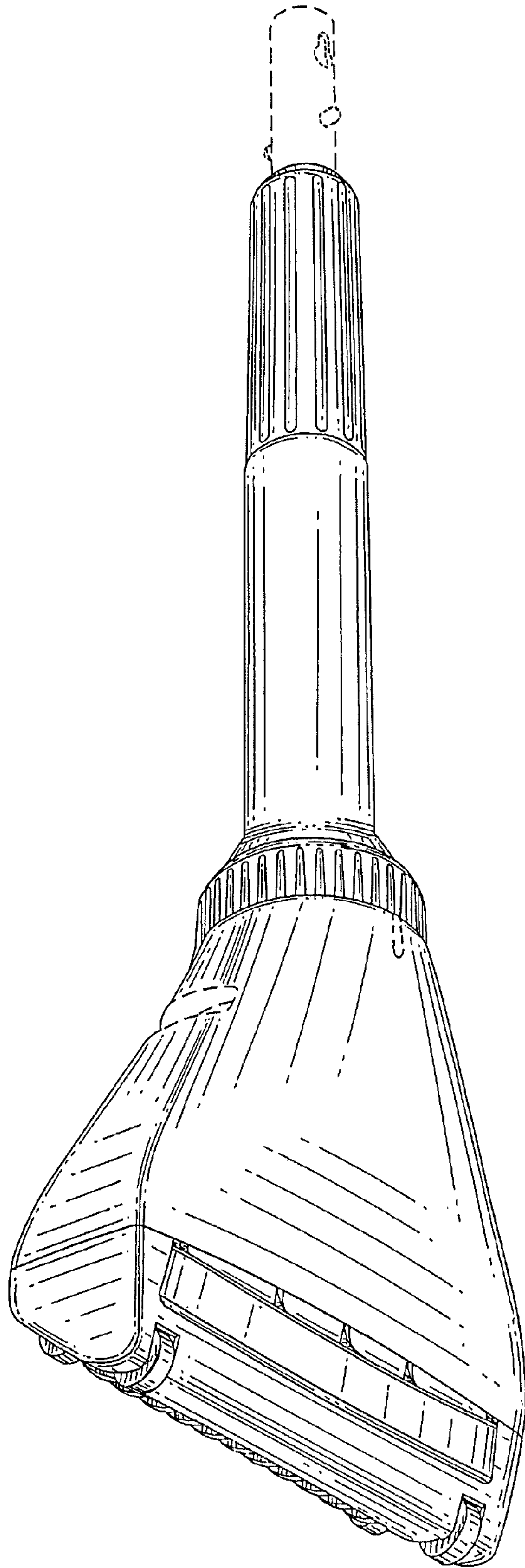


FIG. 1

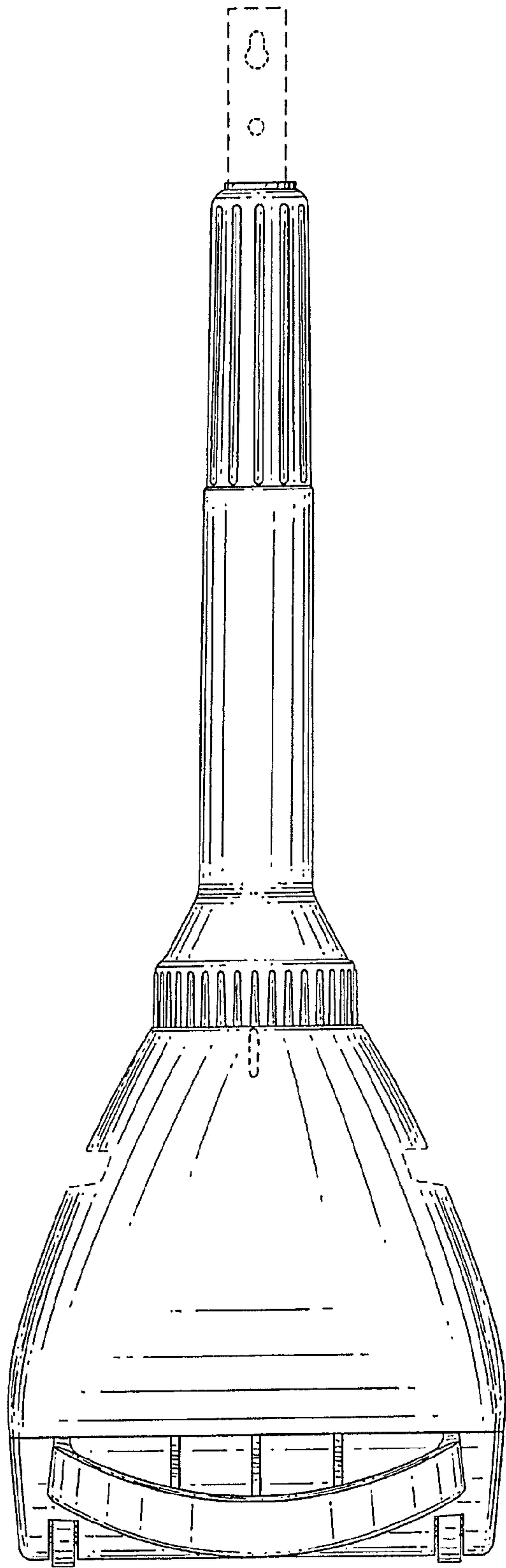


FIG. 2

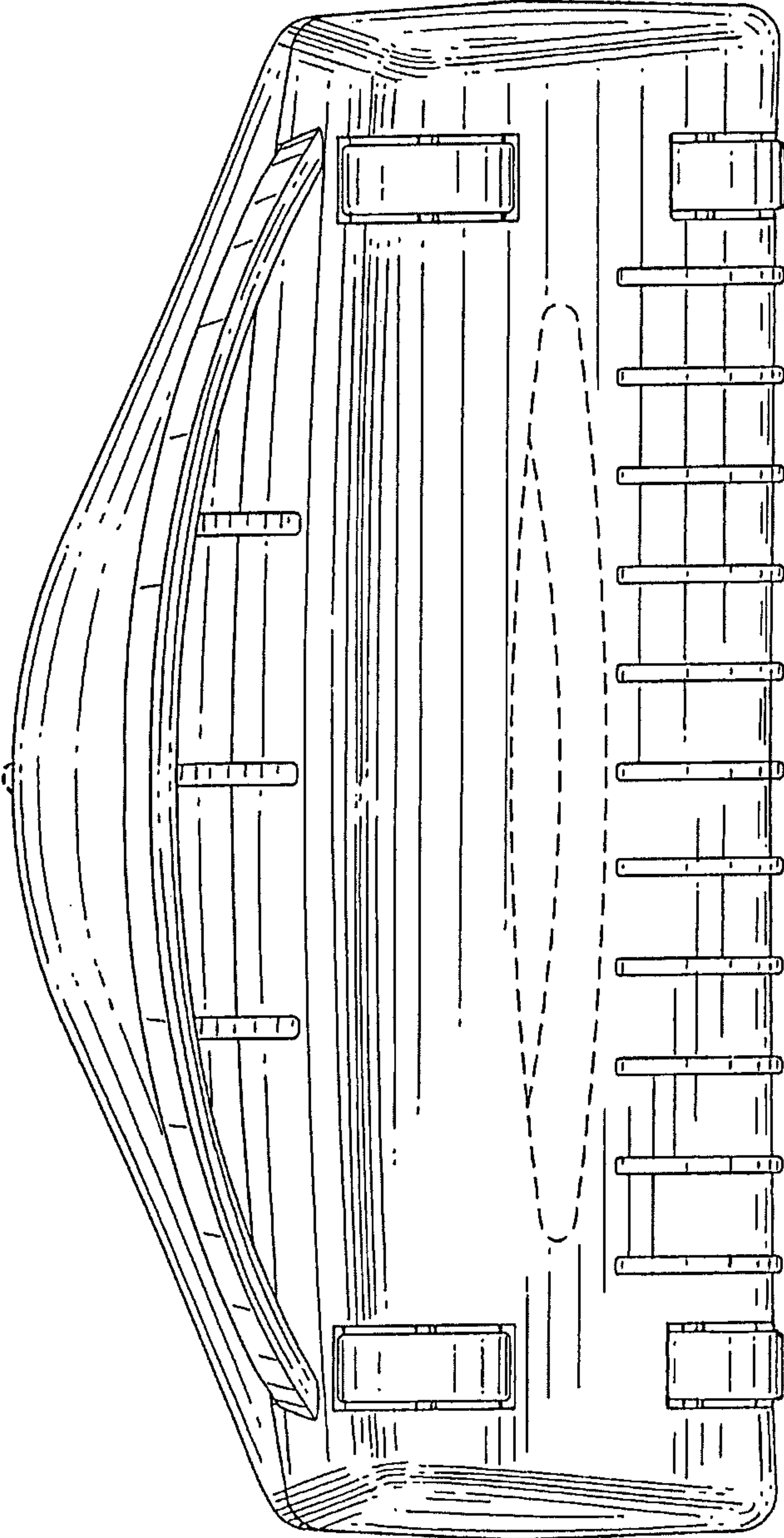


FIG. 3

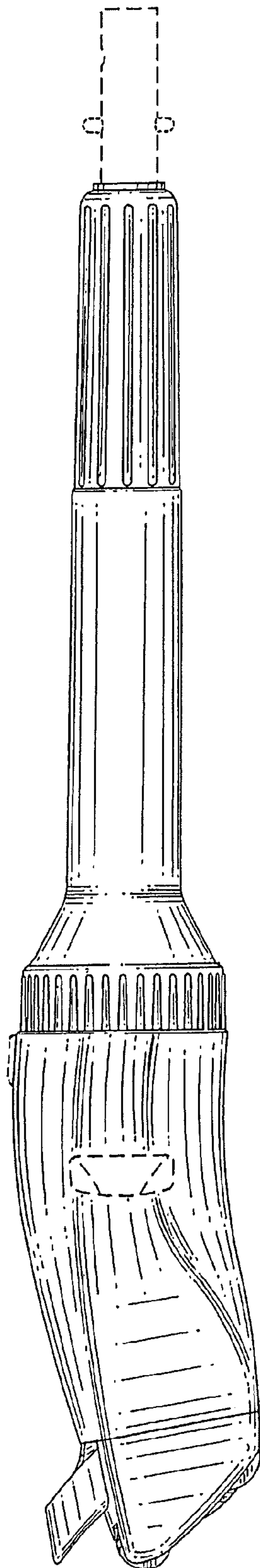


FIG. 4

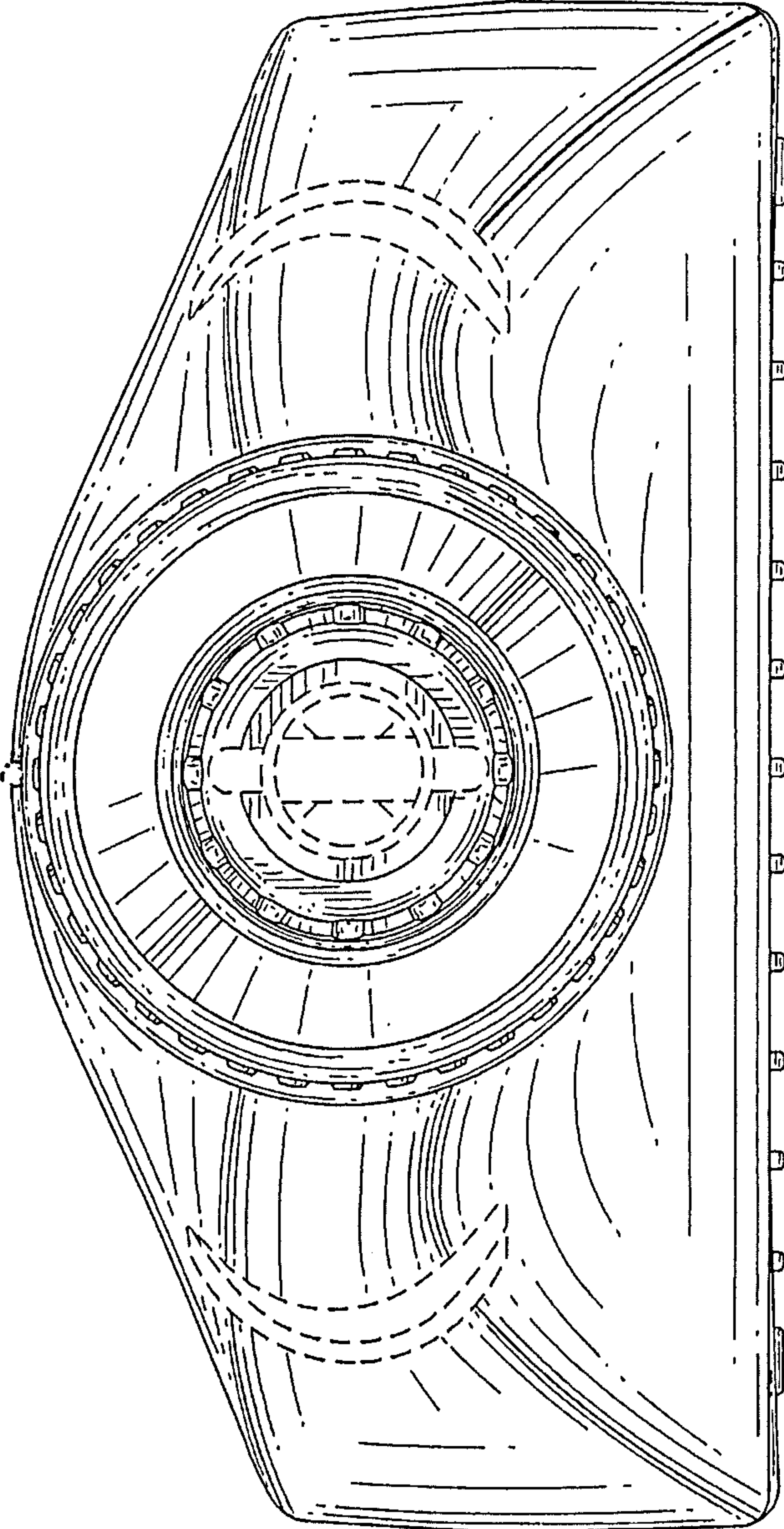


FIG. 5

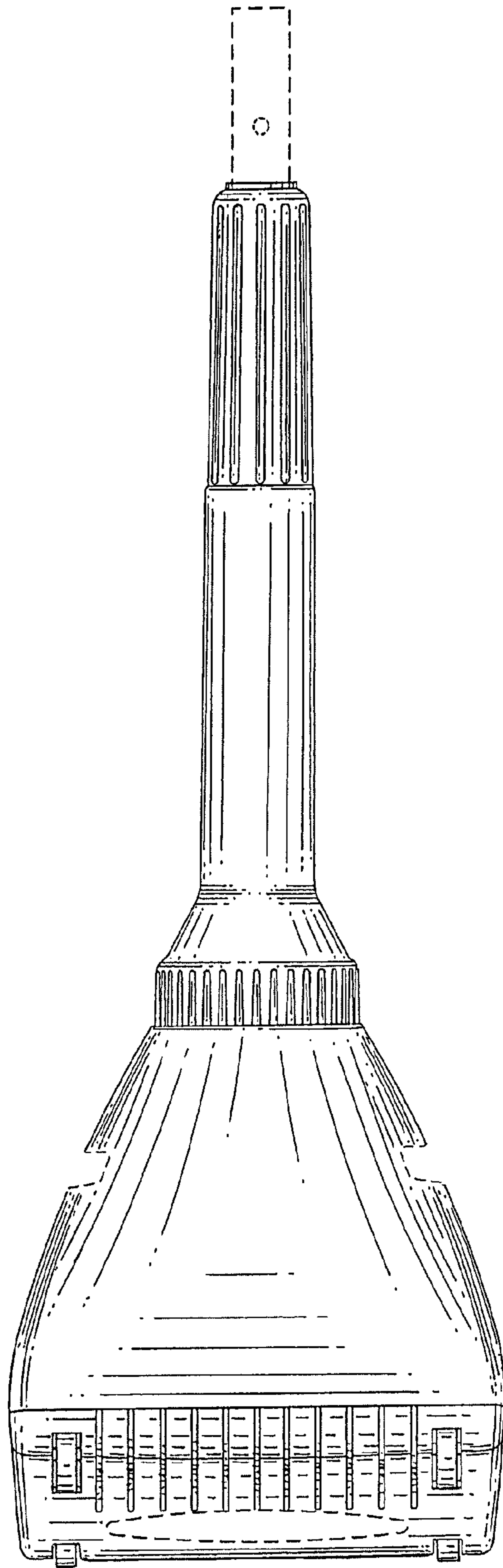


FIG. 6