



US00D713109S

(12) **United States Design Patent**
Seasholtz et al.

(10) **Patent No.:** **US D713,109 S**

(45) **Date of Patent:** **** Sep. 9, 2014**

(54) **VACUUM CLEANER**

(71) Applicant: **Shop Vac Corporation**, Williamsport, PA (US)

(72) Inventors: **Craig A. Seasholtz**, Avis, PA (US);
Melvin E. Wolfe, Jr., Johnson City, NY (US); **Robert Lent Crevling, Jr.**, Williamsport, PA (US)

(73) Assignee: **Shop Vac Corporation**, Williamsport, PA (US)

(**) Term: **14 Years**

(21) Appl. No.: **29/458,837**

(22) Filed: **Jun. 24, 2013**

(51) **LOC (10) Cl.** **15-05**

(52) **U.S. Cl.**
USPC **D32/31**

(58) **Field of Classification Search**
CPC . A47L 7/004; A47L 11/4036; A47L 11/4041;
A47L 7/0023; A47L 7/009; A47L 11/30
USPC D32/21, 23-24, 31; 15/320-321, 340.2,
15/353, 412, 339, 327.1, 327.6, 327.7
See application file for complete search history.

(56) **References Cited**

U.S. PATENT DOCUMENTS

D507,386 S *	7/2005	Griffin et al.	D32/21
D527,504 S *	8/2006	Griffin et al.	D32/21
D568,562 S *	5/2008	Griffin et al.	D32/23
D568,564 S *	5/2008	Griffin et al.	D32/31
D587,414 S *	2/2009	Griffin et al.	D32/31
D588,316 S *	3/2009	Griffin	D32/31

D599,968 S *	9/2009	Crevling et al.	D32/23
D615,718 S *	5/2010	Crevling et al.	D32/23
D623,812 S *	9/2010	Seasholtz et al.	D32/31
D623,813 S *	9/2010	Seasholtz et al.	D32/31
D631,216 S *	1/2011	Crevling et al.	D32/31
D634,084 S *	3/2011	Griffin et al.	D32/31
D644,800 S *	9/2011	Seasholtz et al.	D32/31
D644,801 S *	9/2011	Crevling et al.	D32/31
D672,929 S *	12/2012	Gottschall et al.	D32/31
D675,389 S *	1/2013	Seasholtz et al.	D32/31
D683,090 S *	5/2013	Griffin et al.	D32/23
D683,091 S *	5/2013	Griffin et al.	D32/23
D691,339 S *	10/2013	Griffin et al.	D32/31
2013/0009371 A1 *	1/2013	Martinez	280/79.2

* cited by examiner

Primary Examiner — Ruth McInroy

(74) *Attorney, Agent, or Firm* — Marshall, Gerstein & Borun LLP

(57) **CLAIM**

The ornamental design for a vacuum cleaner, as shown and described.

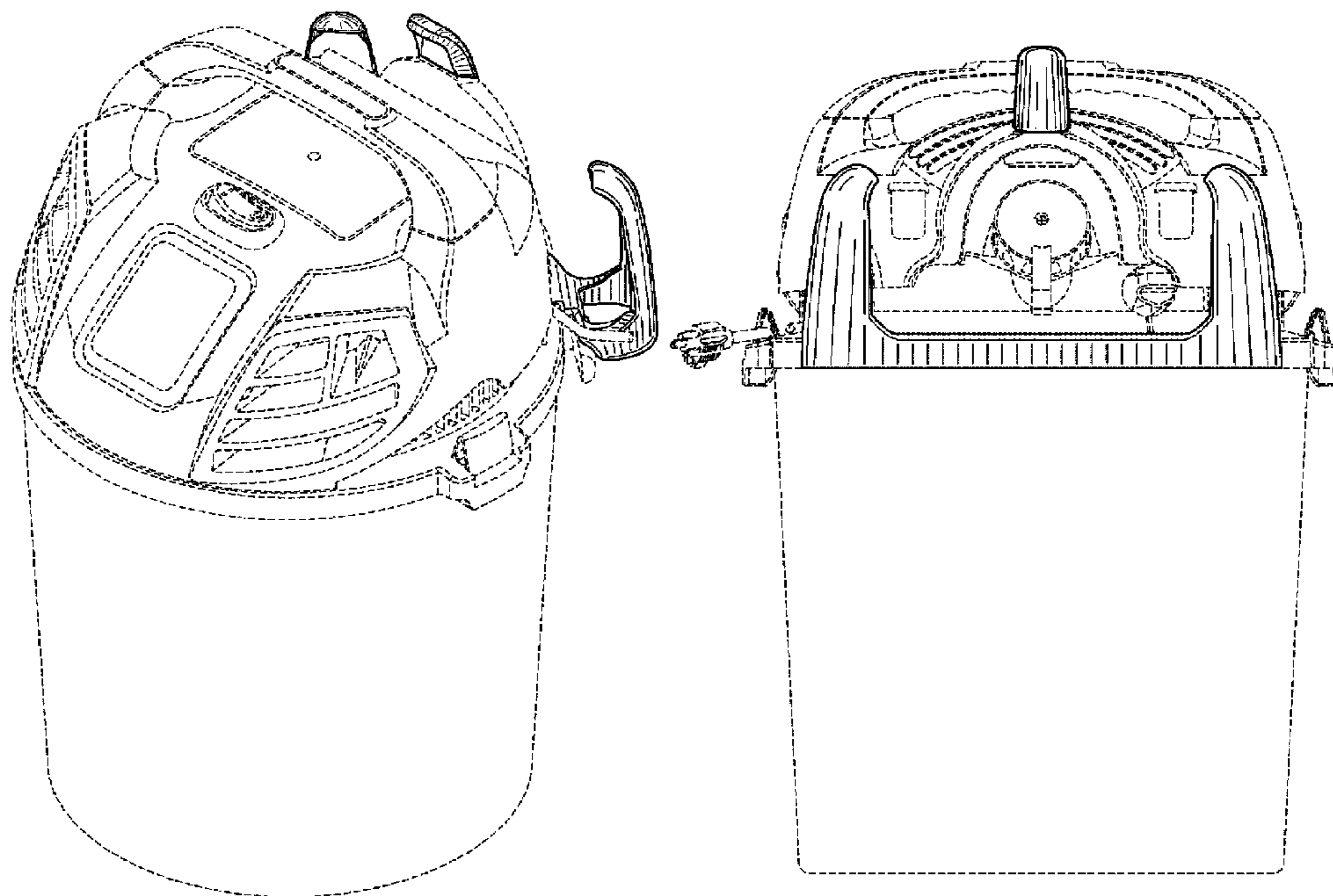
DESCRIPTION

FIG. 1 is a top, front and right side isometric view of a vacuum cleaner showing our new design;
FIG. 2 is a right side elevation view thereof;
FIG. 3 is a rear elevation view thereof;
FIG. 4 is a left side elevation view thereof; and,
FIG. 5 is a top plan view thereof.

The bottom of the vacuum cleaner forms no part of the claimed design.

The broken lines show elements of the vacuum cleaner that form no part of the claimed design.

1 Claim, 5 Drawing Sheets



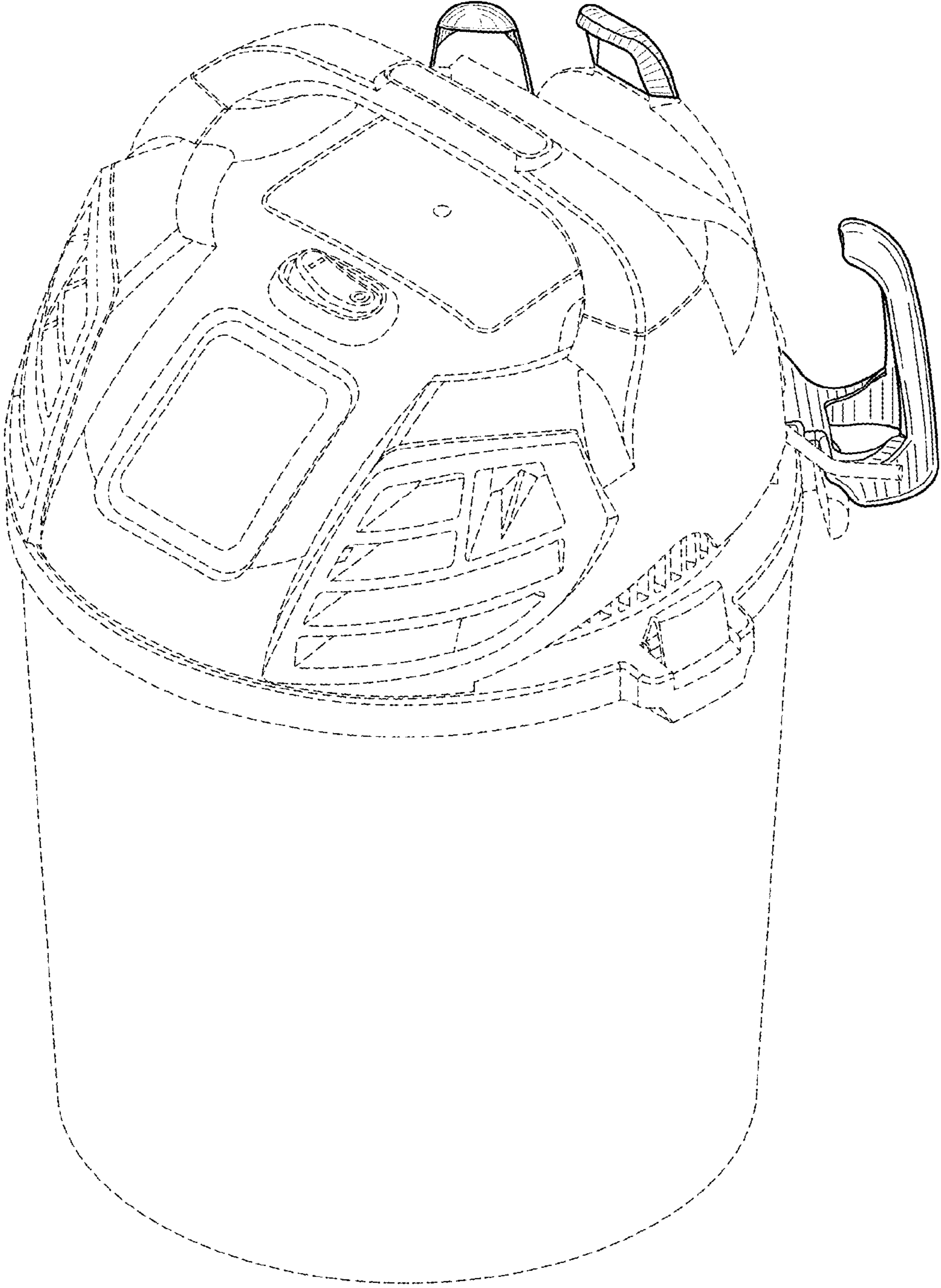


FIG. 1

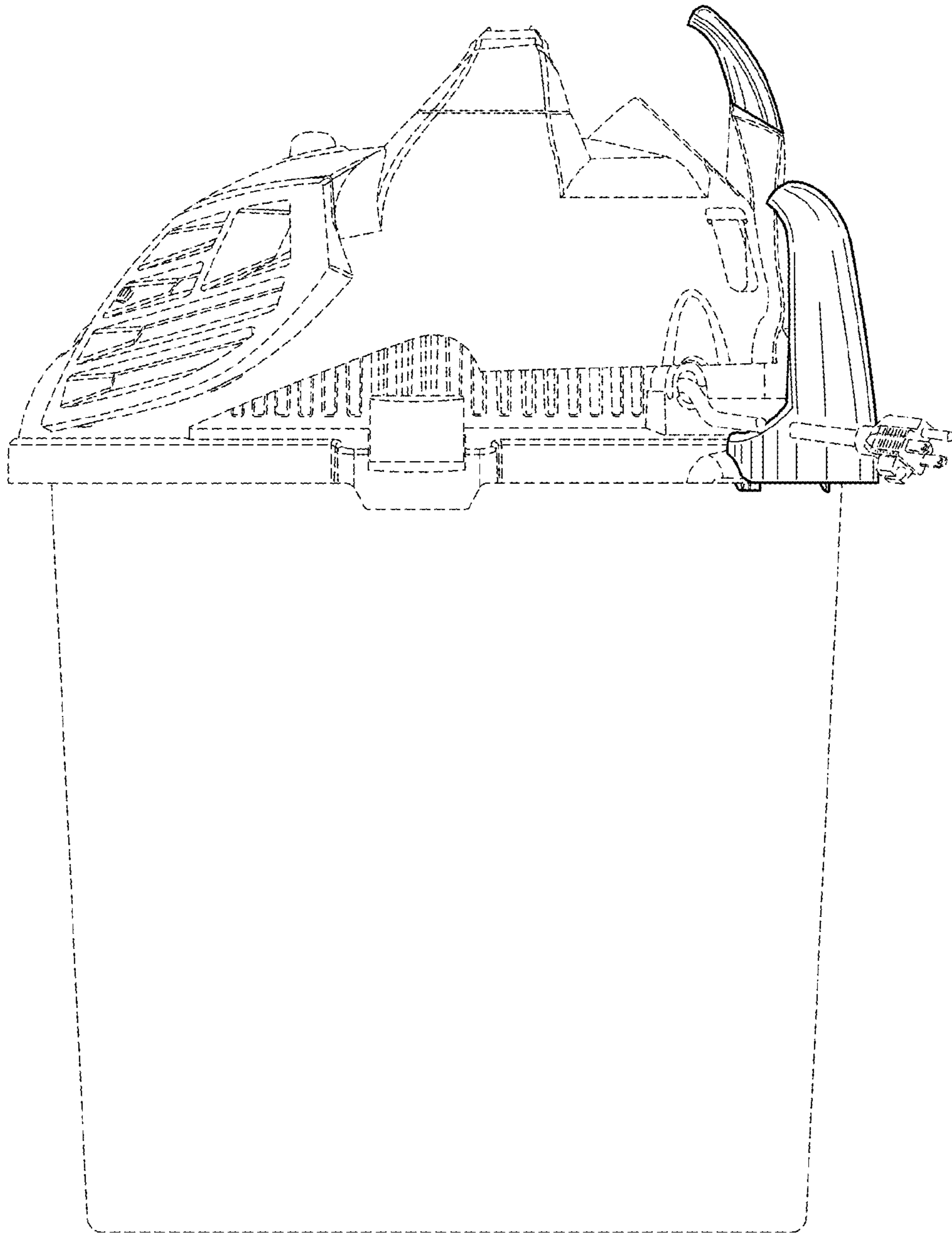


FIG. 2

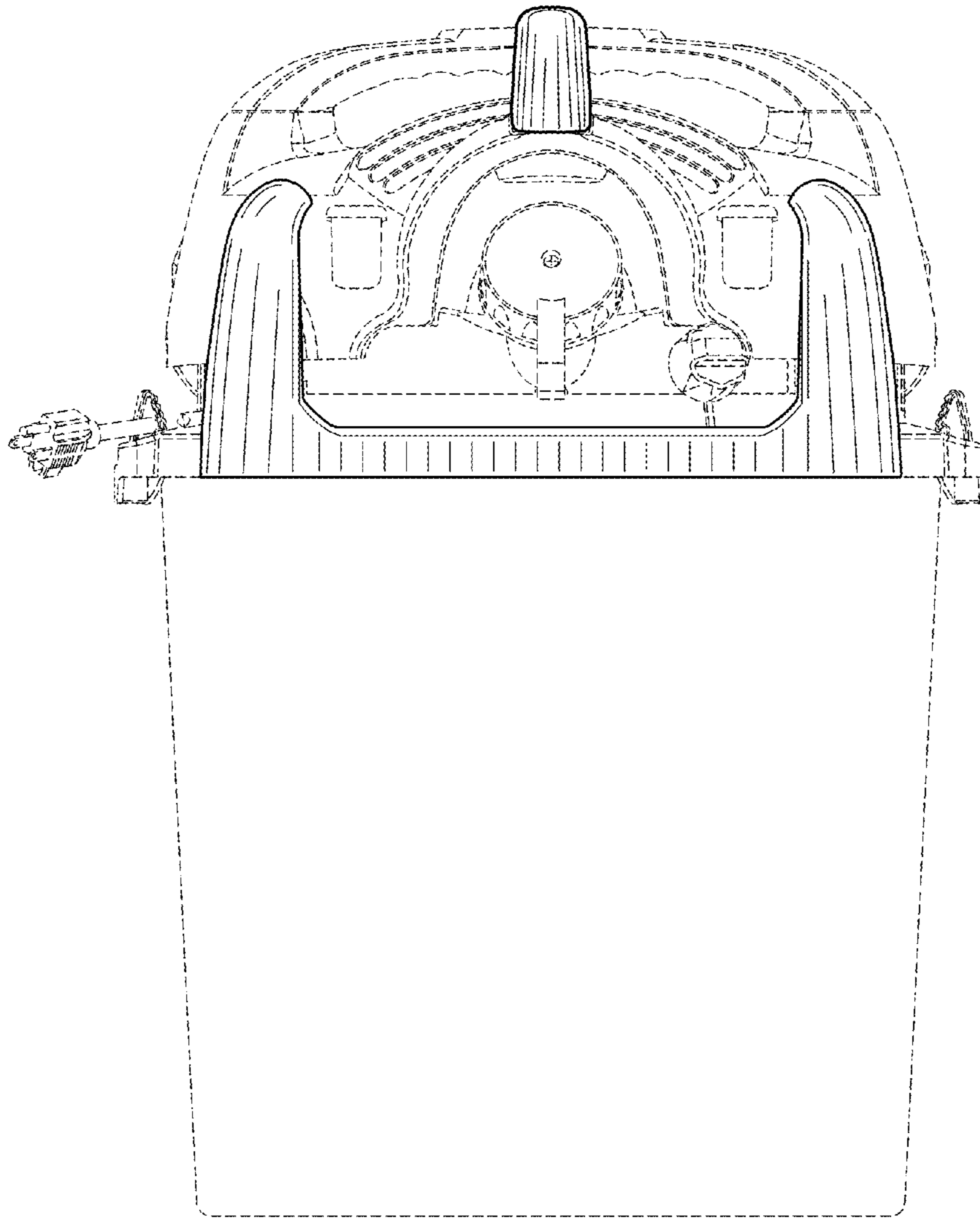


FIG. 3

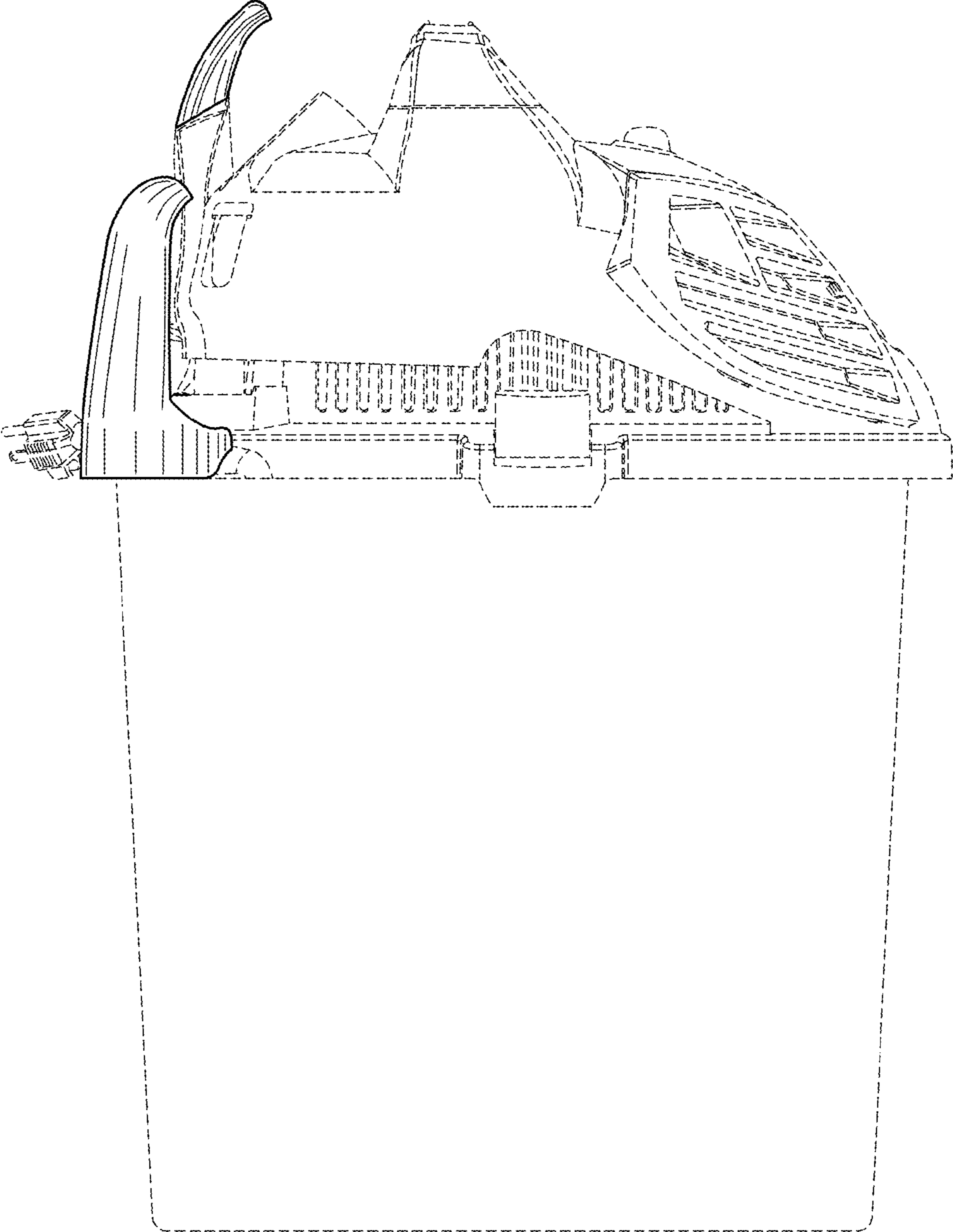


FIG. 4

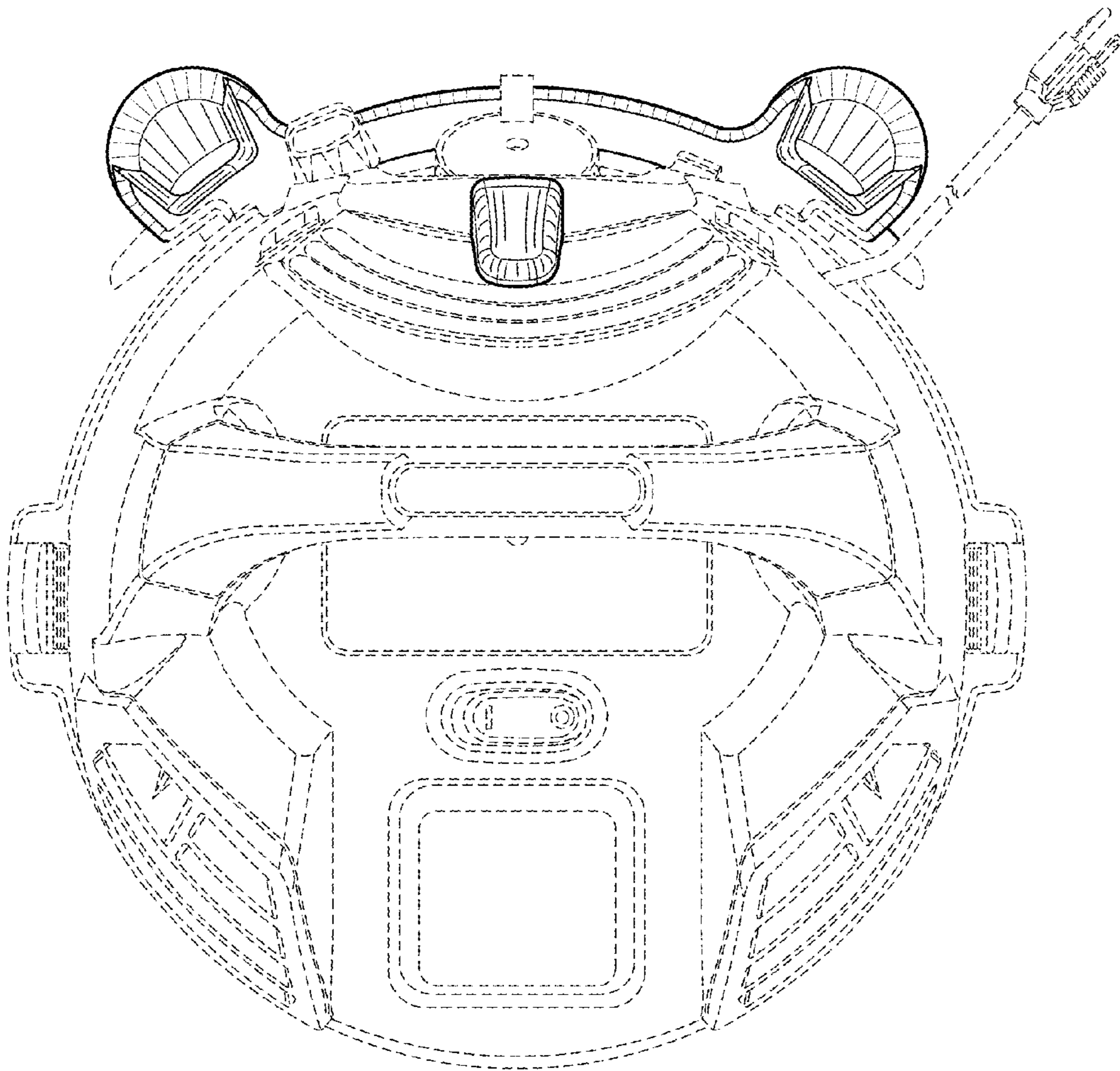


FIG. 5