



US00D713108S

(12) **United States Design Patent**  
**Jang et al.**

(10) **Patent No.:** **US D713,108 S**

(45) **Date of Patent:** **\*\* Sep. 9, 2014**

(54) **VACUUM CLEANER**

(71) Applicant: **Samsung Electronics Co., Ltd.**,  
Suwon-si (KR)

(72) Inventors: **Jae-Ho Jang**, Seoul (KR); **Dong-Won Chun**, Paju-Si (KR)

(73) Assignee: **Samsung Electronics Co., Ltd.**,  
Suwon-si (KR)

(\*\*) Term: **14 Years**

(21) Appl. No.: **29/455,325**

(22) Filed: **May 20, 2013**

(30) **Foreign Application Priority Data**

Nov. 30, 2012 (KR) ..... 30-2012-0057571

(51) **LOC (10) CL.** ..... **15-05**

(52) **U.S. CL.**  
USPC ..... **D32/31**

(58) **Field of Classification Search**  
USPC ..... D32/21, 23-24, 31; 15/327.1-327.7,  
15/352, 353, 321, 347, 329; 55/429,  
55/DIG. 3, 337; D12/204, 207, 209, 13,  
D12/215; D21/563  
See application file for complete search history.

(56) **References Cited**

**U.S. PATENT DOCUMENTS**

2,769,998	A	*	11/1956	Hunter	.....	15/327.4
D182,286	S	*	3/1958	Johnson et al.	.....	D32/21
D417,046	S	*	11/1999	Tsuruha et al.	.....	D32/21
D454,994	S	*	3/2002	Harada et al.	.....	D32/21
D485,653	S	*	1/2004	Warburton	.....	D32/21
D520,198	S	*	5/2006	Sung	.....	D32/21
D539,492	S	*	3/2007	Konno	.....	D32/21
D552,810	S	*	10/2007	Shin	.....	D32/21

D618,869	S	*	6/2010	Wen et al.	.....	D32/21
D657,508	S	*	4/2012	Dyson et al.	.....	D32/21
D661,033	S	*	5/2012	Mastio et al.	.....	D32/31
D667,180	S	*	9/2012	Ghim et al.	.....	D32/21
D670,461	S	*	11/2012	Mastio et al.	.....	D32/21
D670,464	S	*	11/2012	Mastio et al.	.....	D32/21
8,528,160	B2	*	9/2013	Conrad	.....	15/327.2

\* cited by examiner

*Primary Examiner* — Ruth McInroy

(74) *Attorney, Agent, or Firm* — NSIP Law

(57) **CLAIM**

We claim the ornamental design for a vacuum cleaner, as shown and described.

**DESCRIPTION**

FIG. 1 is a perspective view of a vacuum cleaner, showing our new design;  
 FIG. 2 is a front view thereof;  
 FIG. 3 is a rear view thereof;  
 FIG. 4 is a left-side view thereof;  
 FIG. 5 is a right-side view thereof;  
 FIG. 6 is a top plan view thereof;  
 FIG. 7 is a bottom plan view thereof;  
 FIG. 8 is a perspective view of a vacuum cleaner of FIG. 1, in which unclaimed portions of the vacuum cleaner is deleted from FIG. 8 for illustrative purposes only;  
 FIG. 9 is a front view of a vacuum cleaner of FIG. 8;  
 FIG. 10 is a rear view of a vacuum cleaner of FIG. 8;  
 FIG. 11 is a left-side view of a vacuum cleaner of FIG. 8;  
 FIG. 12 is a right-side view of a vacuum cleaner of FIG. 8;  
 FIG. 13 is a top plan view of a vacuum cleaner of FIG. 8; and,  
 FIG. 14 is a bottom plan view of a vacuum cleaner of FIG. 8.  
 The broken lines are for environmental purposes only and form no part of the claimed design. The dot-dash lines in the figures represent an unclaimed boundary line and form no part of the claimed design.

**1 Claim, 11 Drawing Sheets**

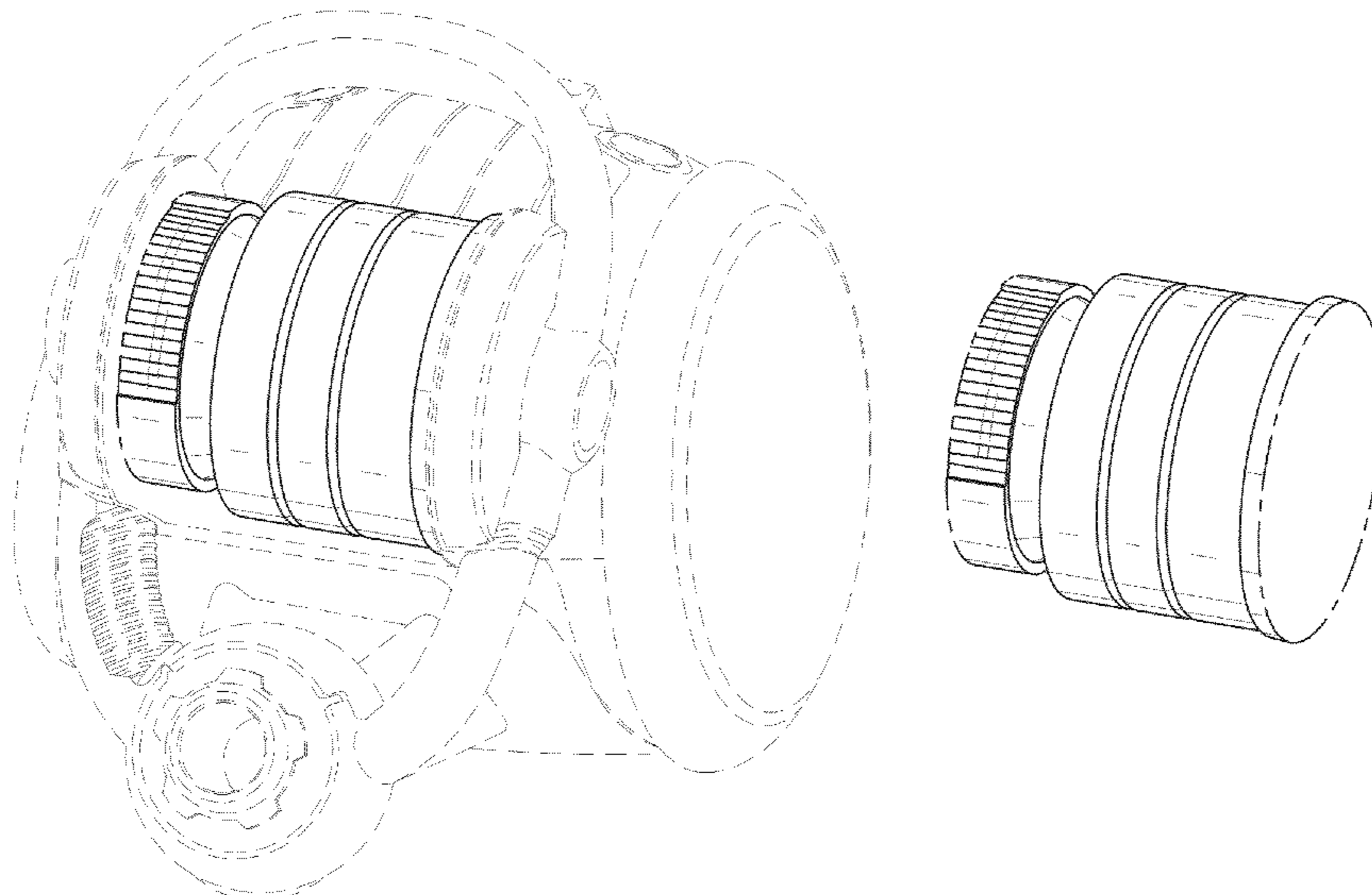


FIG. 1

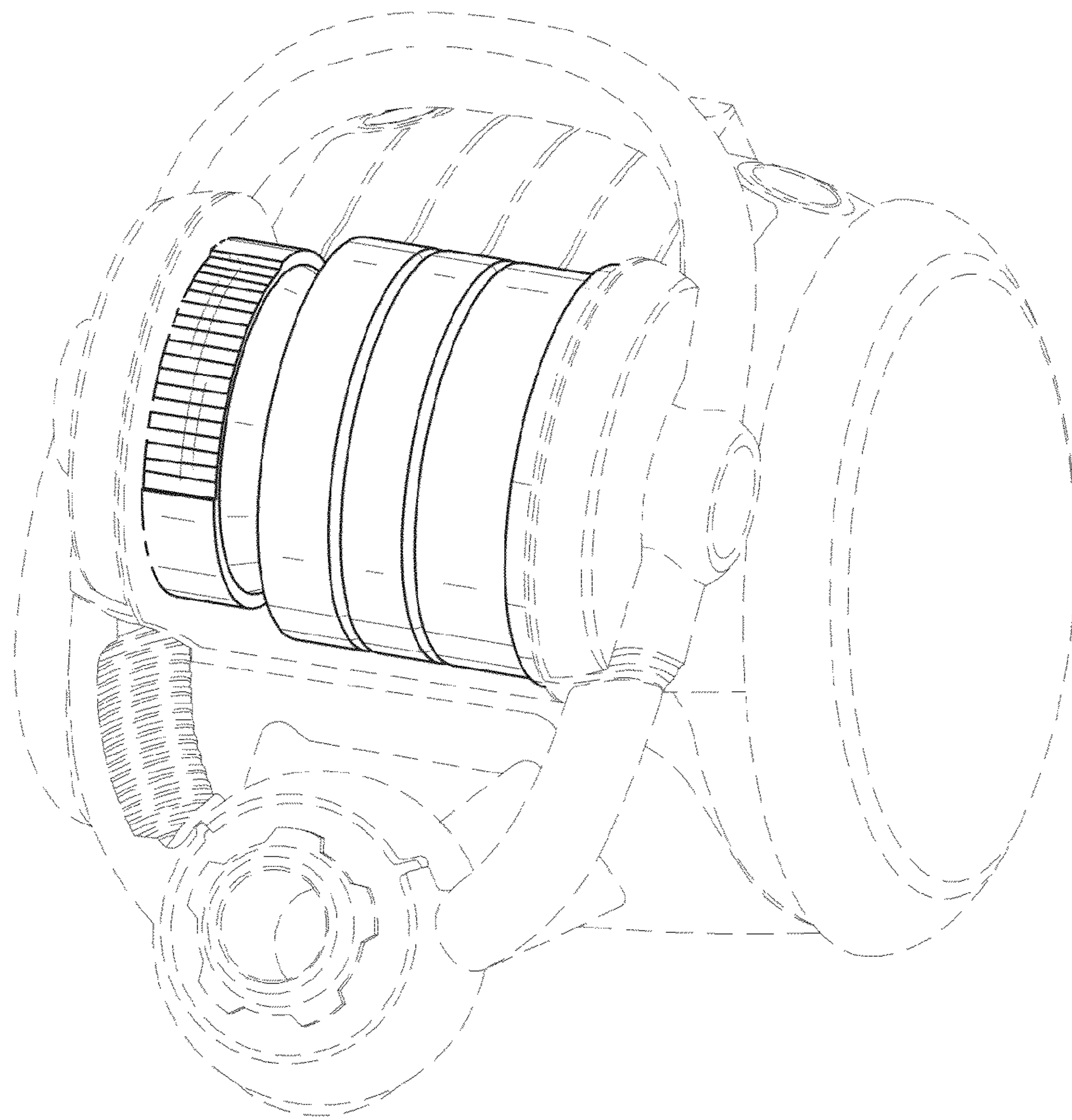


FIG. 2

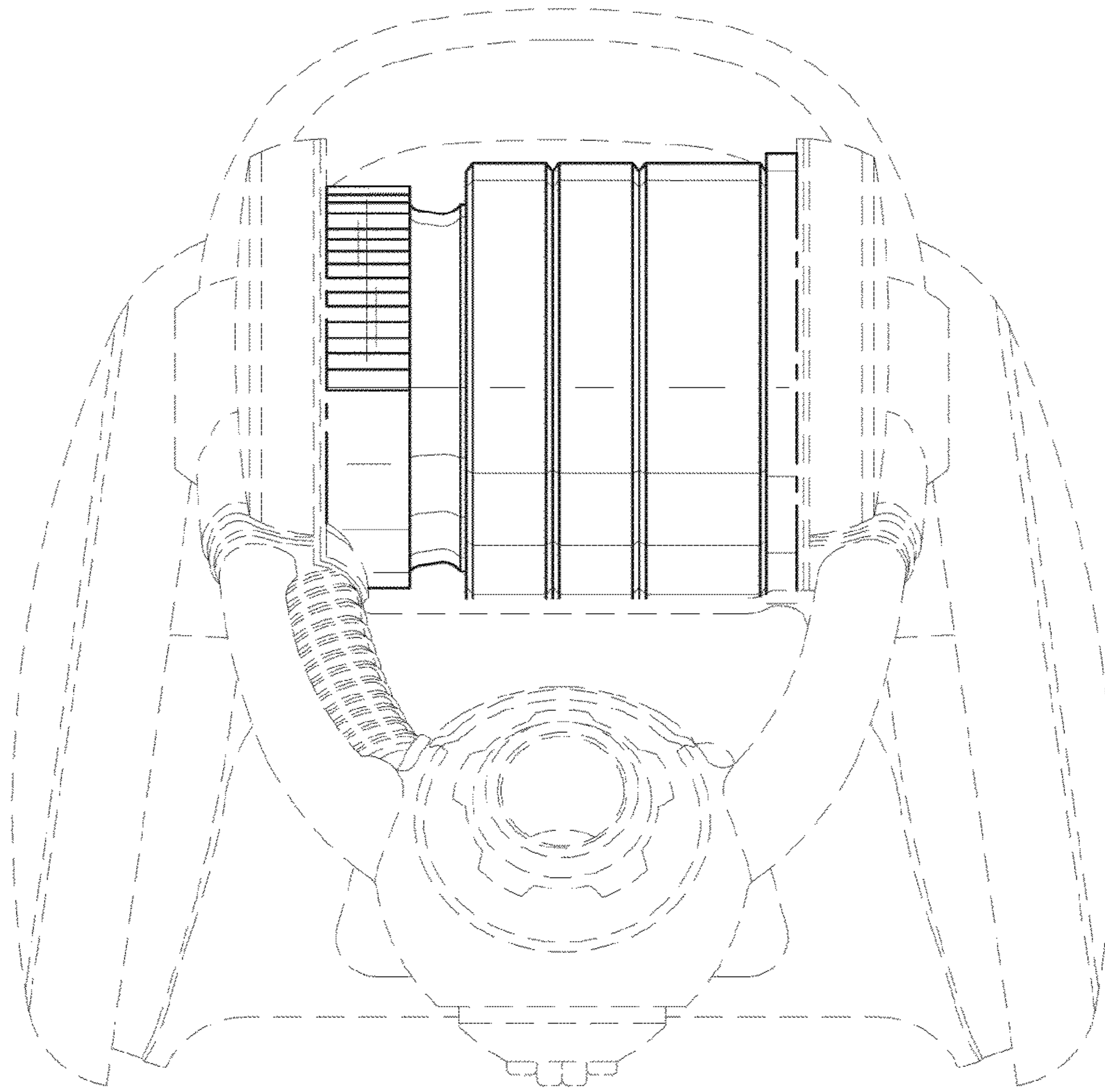


FIG. 3

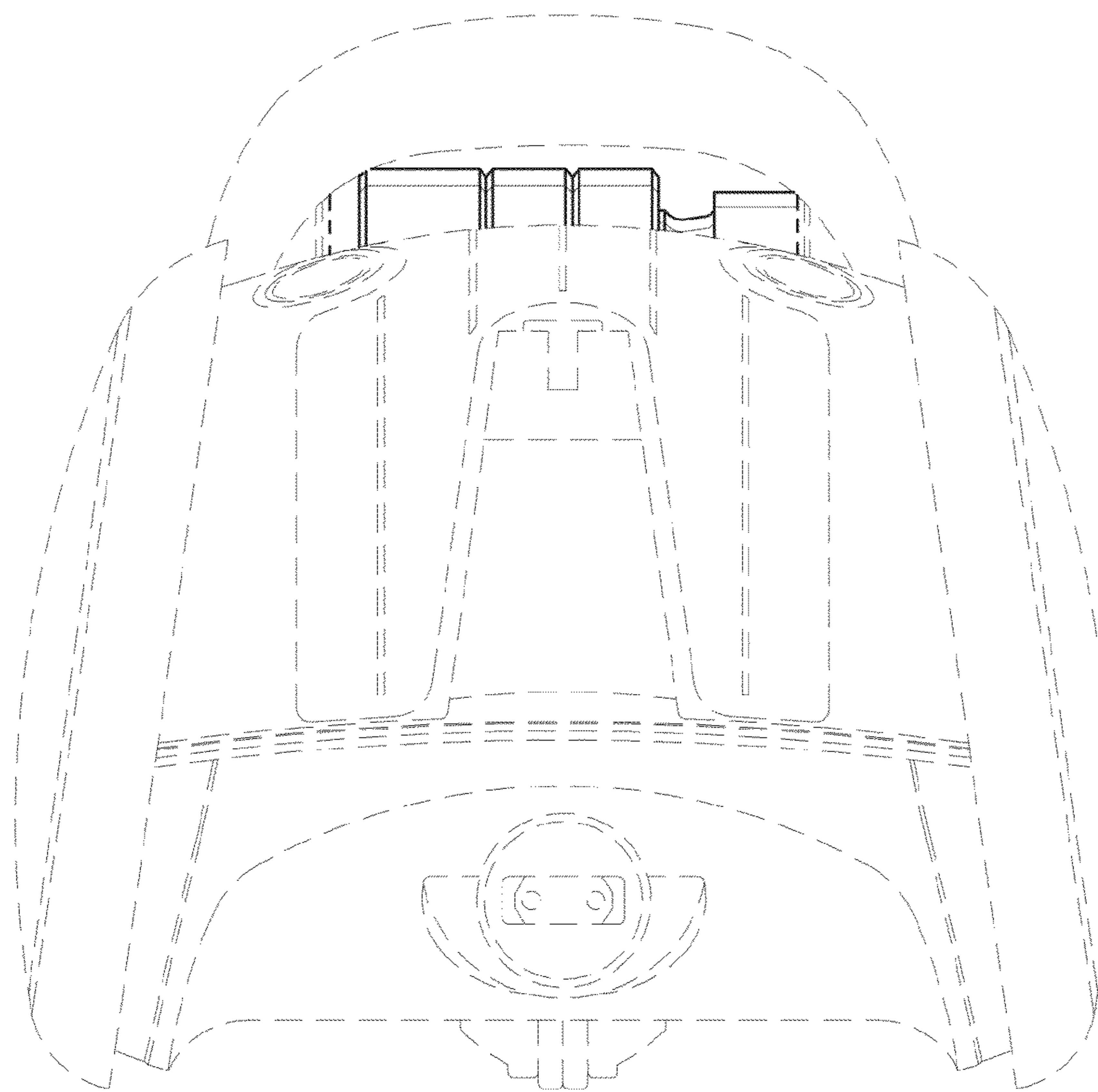


FIG. 4

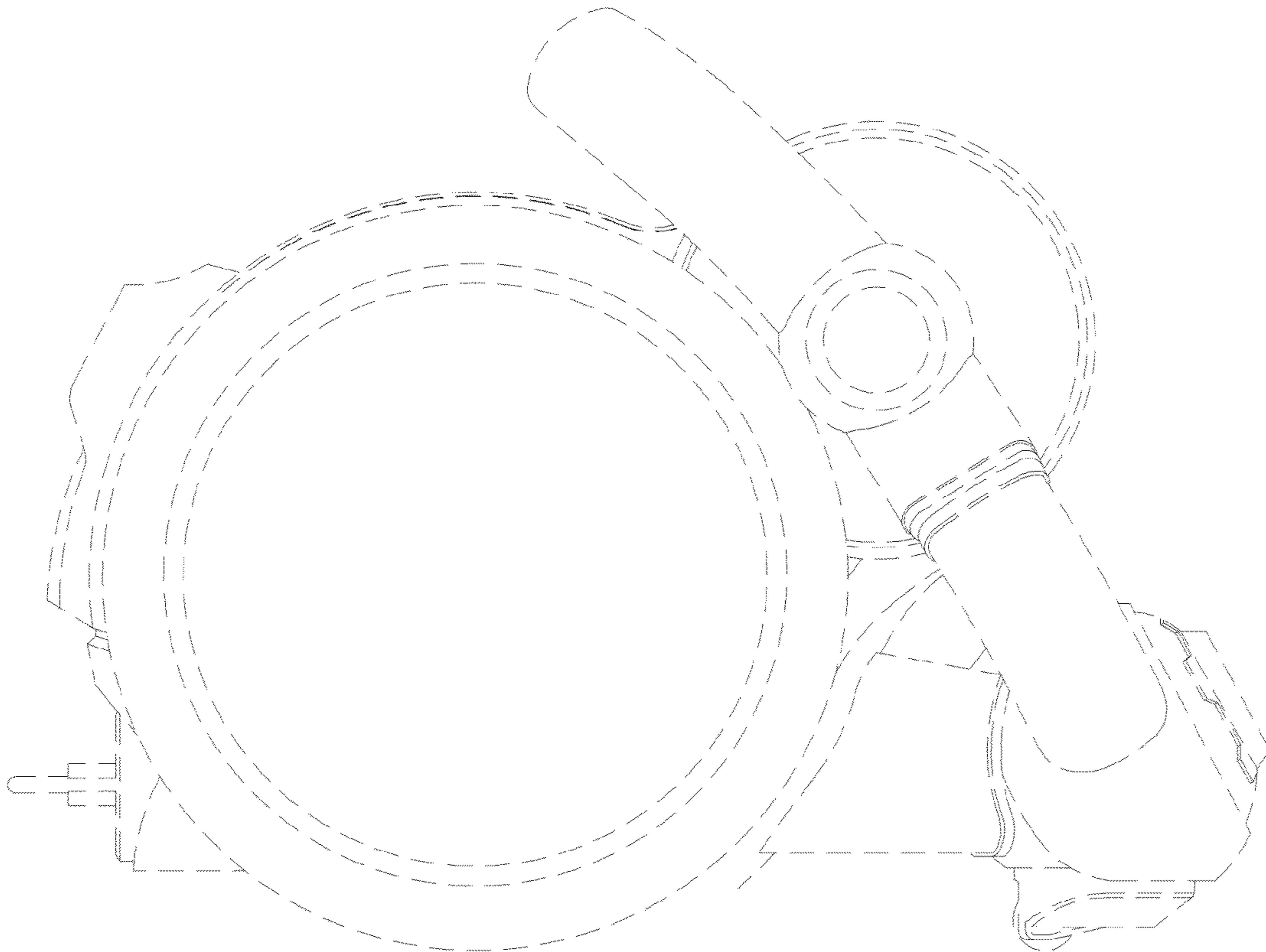


FIG. 5

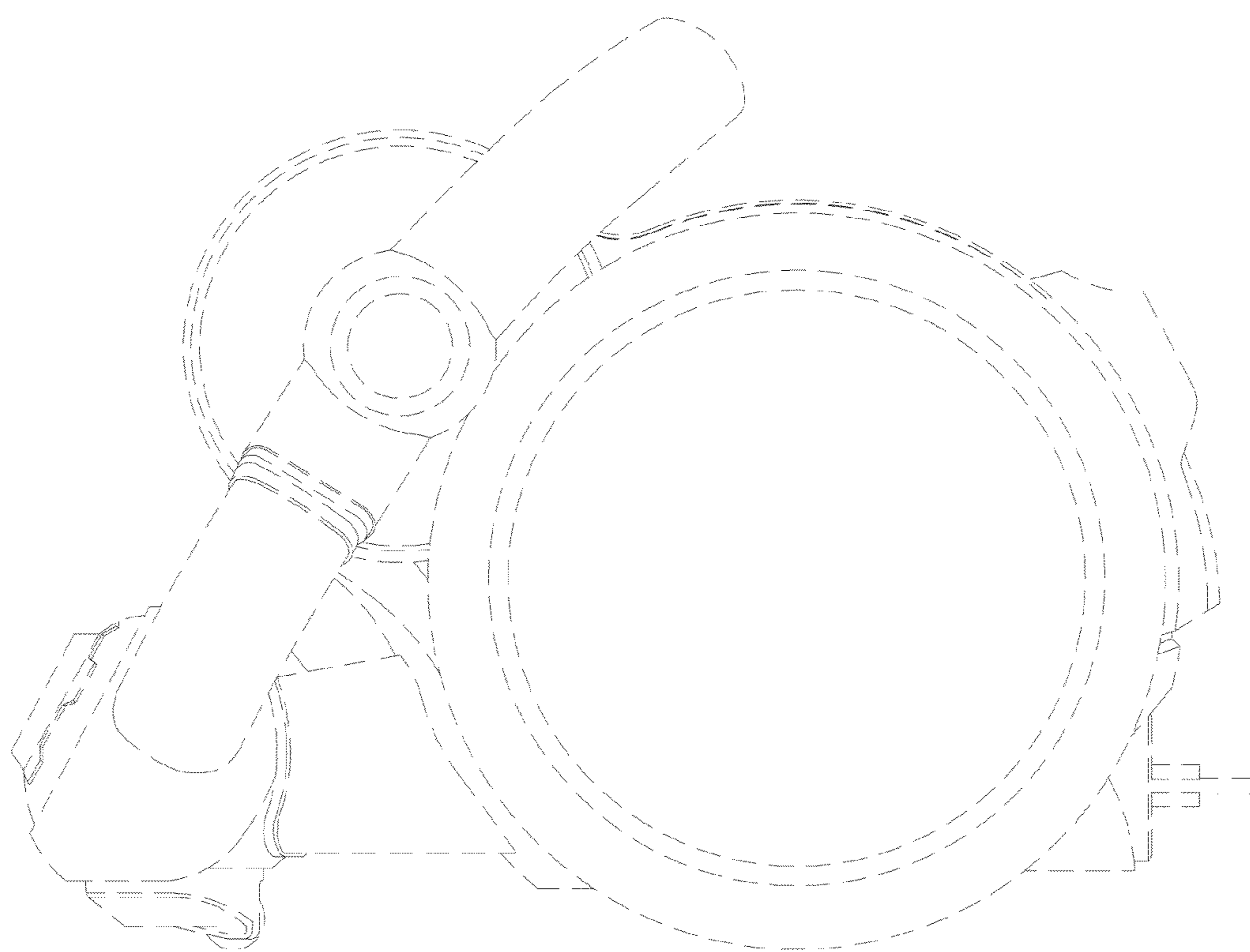


FIG. 6

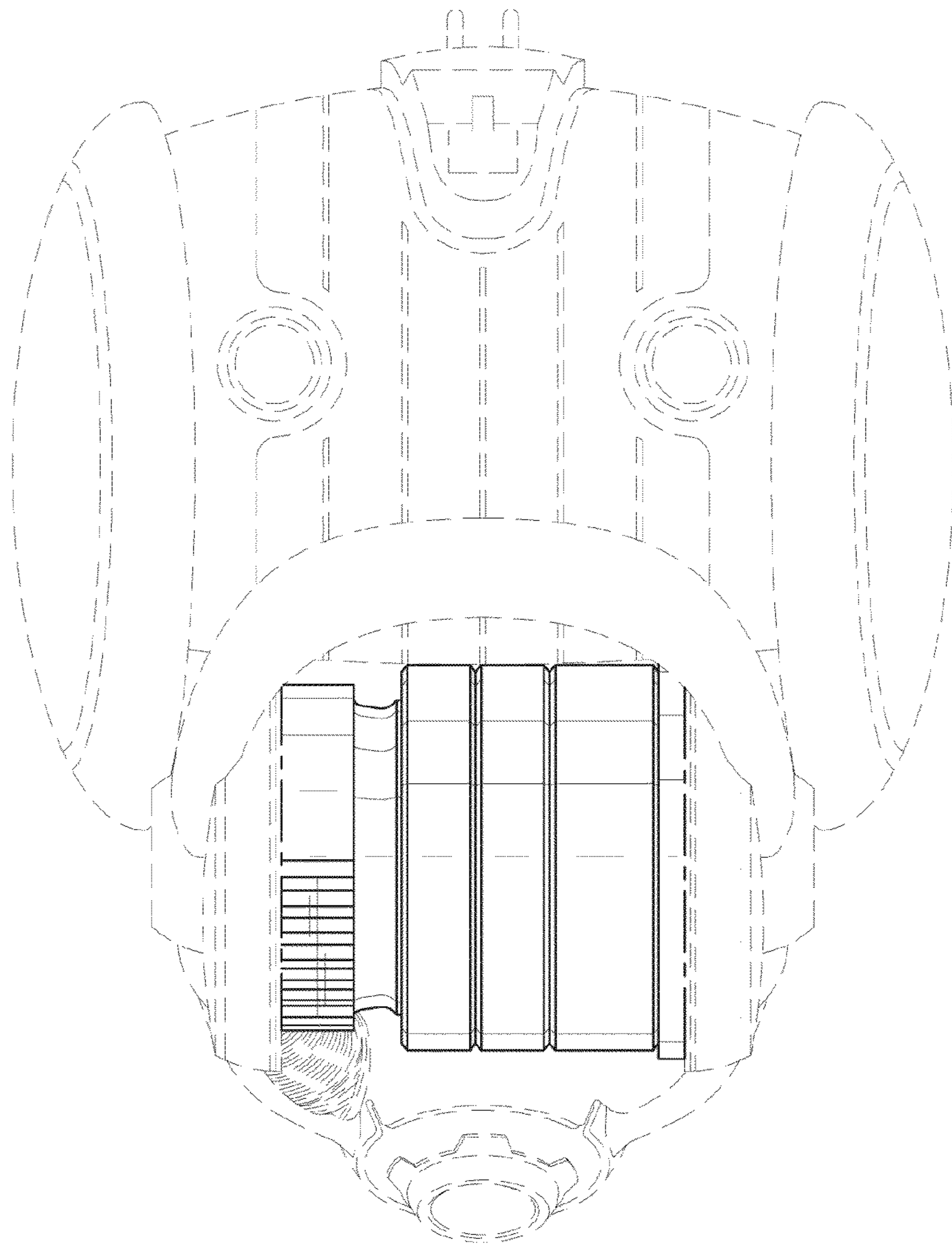


FIG. 7

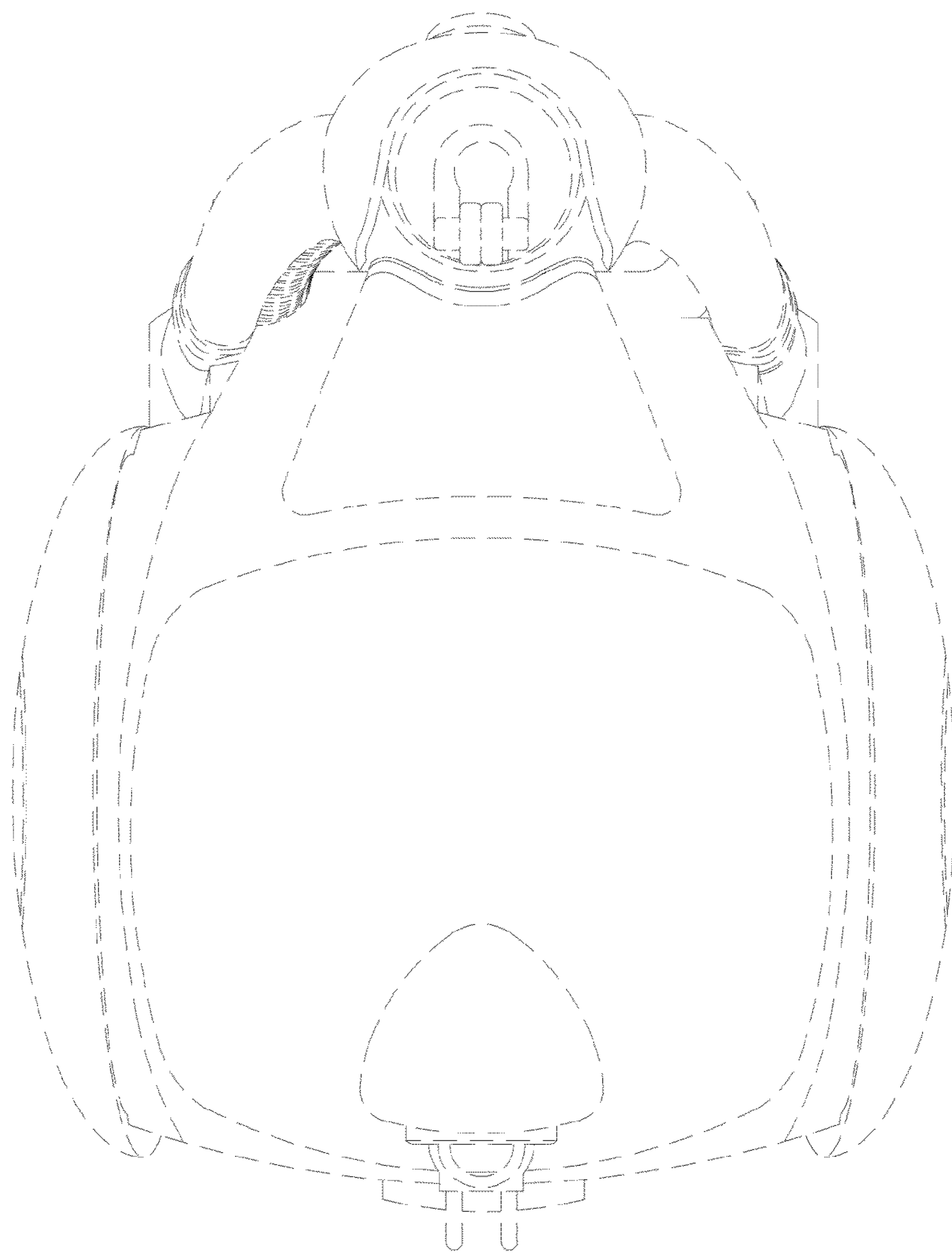




FIG. 8

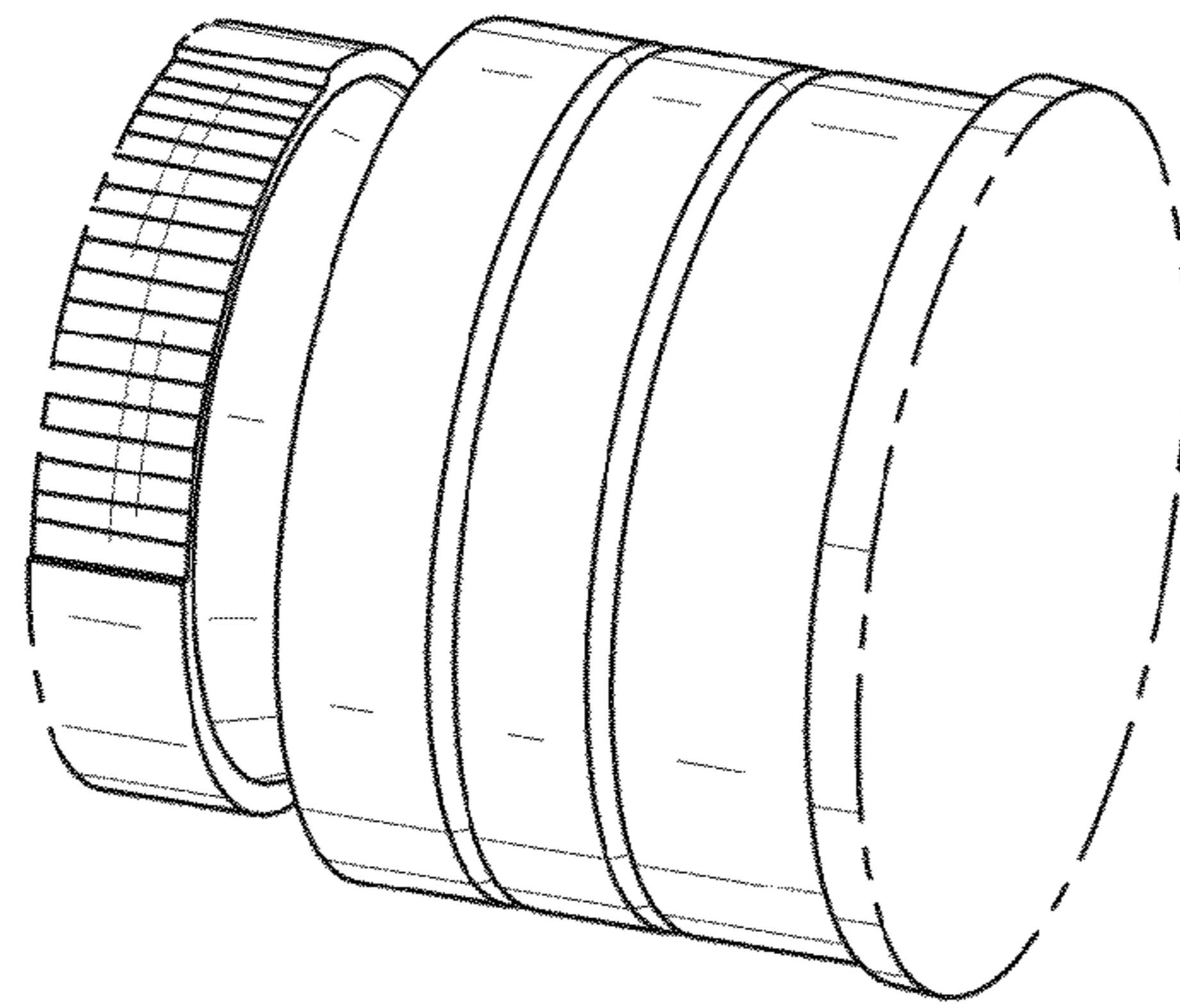


FIG. 9

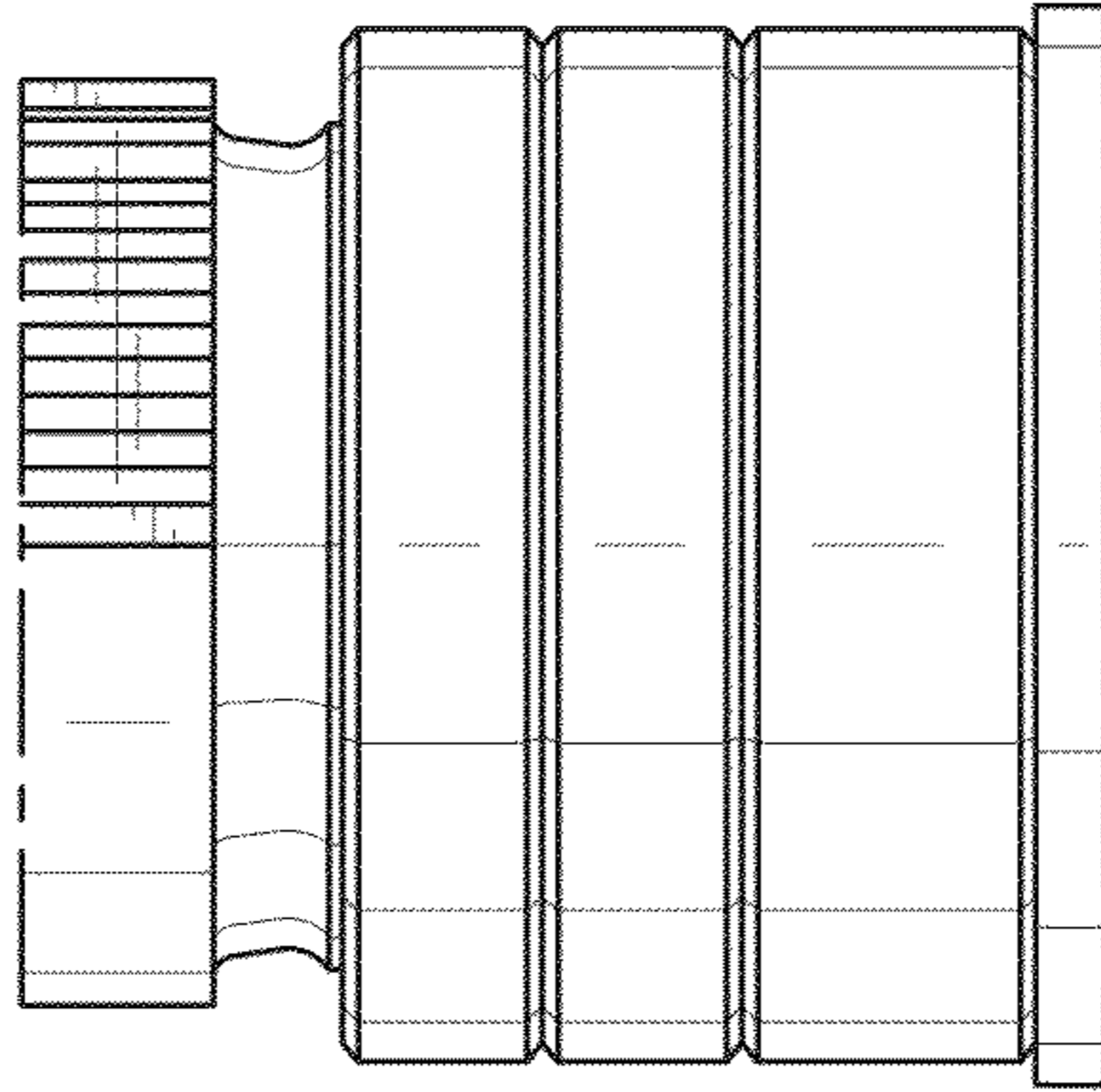


FIG. 10

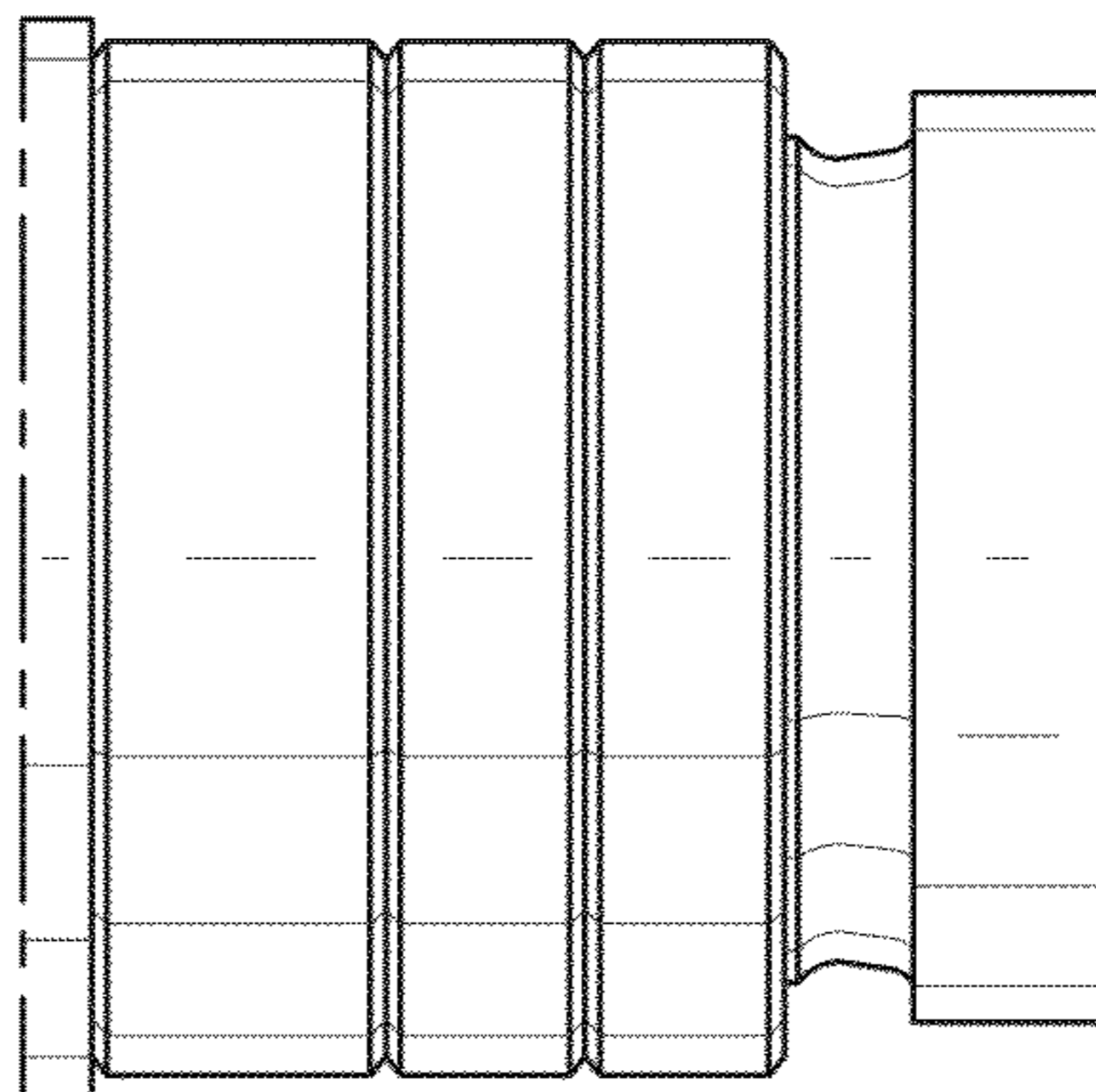


FIG. 11

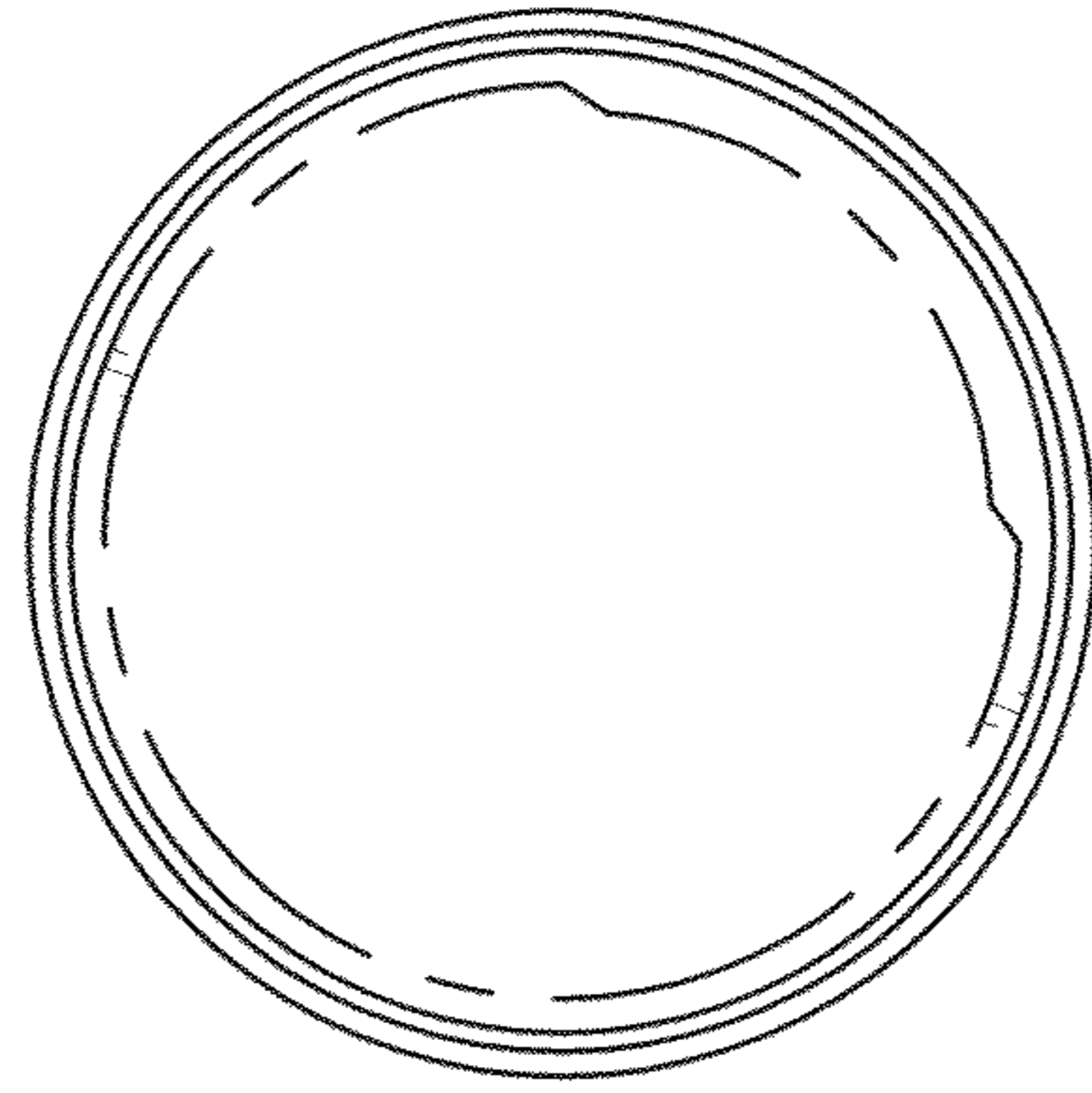


FIG. 12

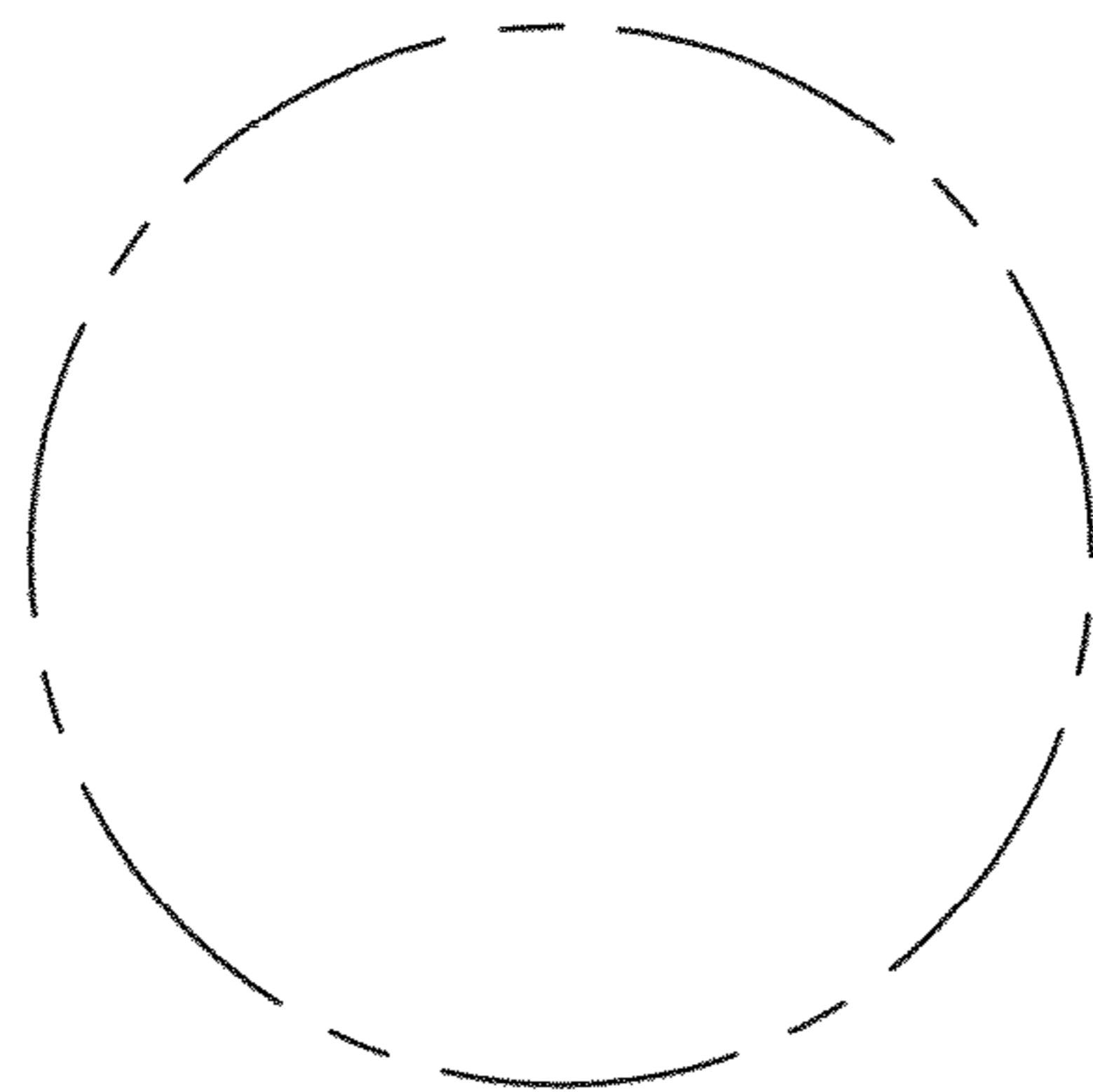


FIG. 13

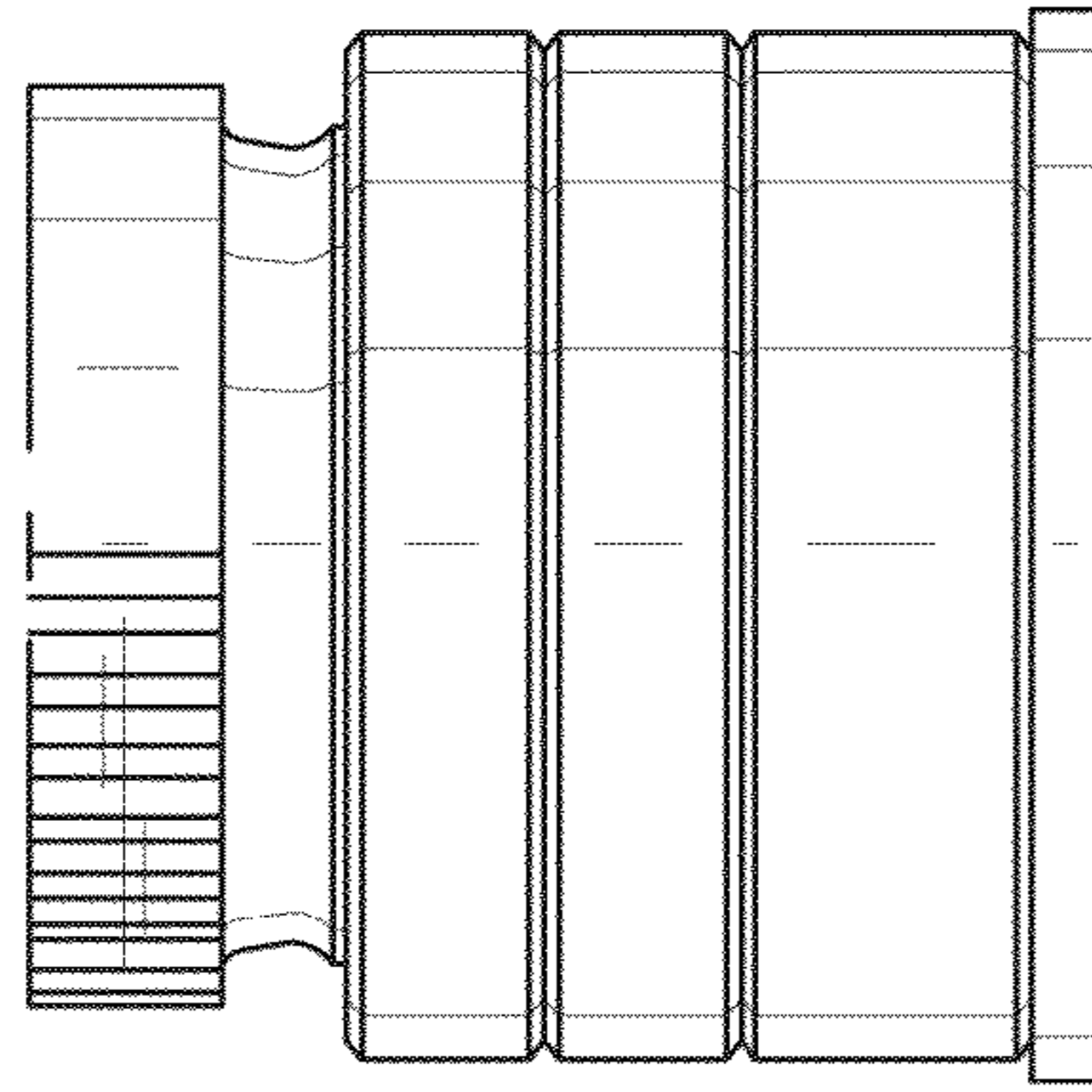


FIG. 14

