



US00D713103S

(12) **United States Design Patent**
Sproviero et al.

(10) **Patent No.:** **US D713,103 S**

(45) **Date of Patent:** **** Sep. 9, 2014**

- (54) **BARK COLLAR TRAINER**
- (71) Applicant: **Sunbeam Products, Inc.**, Boca Raton, FL (US)
- (72) Inventors: **Taryn Sproviero**, Boca Raton, FL (US);
Douglas Goodner, Weston, FL (US);
Kim Wah Chung, Shatin (HK)
- (73) Assignee: **Sunbeam Products Inc.**, Boca Raton, FL (US)

6,003,474	A *	12/1999	Slater et al.	119/859
6,394,040	B1 *	5/2002	Axel	119/859
6,712,025	B2 *	3/2004	Peterson et al.	119/721
7,552,699	B2 *	6/2009	Moore	119/719
7,559,291	B2 *	7/2009	Reinhart	119/720
7,712,438	B2 *	5/2010	Reinhart	119/859
7,819,087	B2 *	10/2010	Napolez et al.	119/721
D632,853	S *	2/2011	Hardi et al.	D30/155
8,181,607	B2 *	5/2012	Kim	119/720
2011/0061605	A1 *	3/2011	Hardi et al.	119/721

* cited by examiner

Primary Examiner — Martie K Holtje

(**) Term: **14 Years**

(21) Appl. No.: **29/451,554**

(22) Filed: **Apr. 4, 2013**

(51) **LOC (10) Cl.** **30-99**

(52) **U.S. Cl.**
USPC **D30/199**

(58) **Field of Classification Search**
USPC D30/144, 145, 151, 152, 153, 155, 199;
D10/104.1, 104.2; D14/155; 119/712,
119/718, 719, 720, 721, 856, 858, 859, 860,
119/863; 340/573.1, 573.3, 573.4; 174/176,
174/199

See application file for complete search history.

(56) **References Cited**

U.S. PATENT DOCUMENTS

D262,457	S *	12/1981	Swales	D14/155
D400,458	S *	11/1998	Titus et al.	D10/104.1

(57) **CLAIM**

The ornamental design for a bark collar trainer, as shown and described.

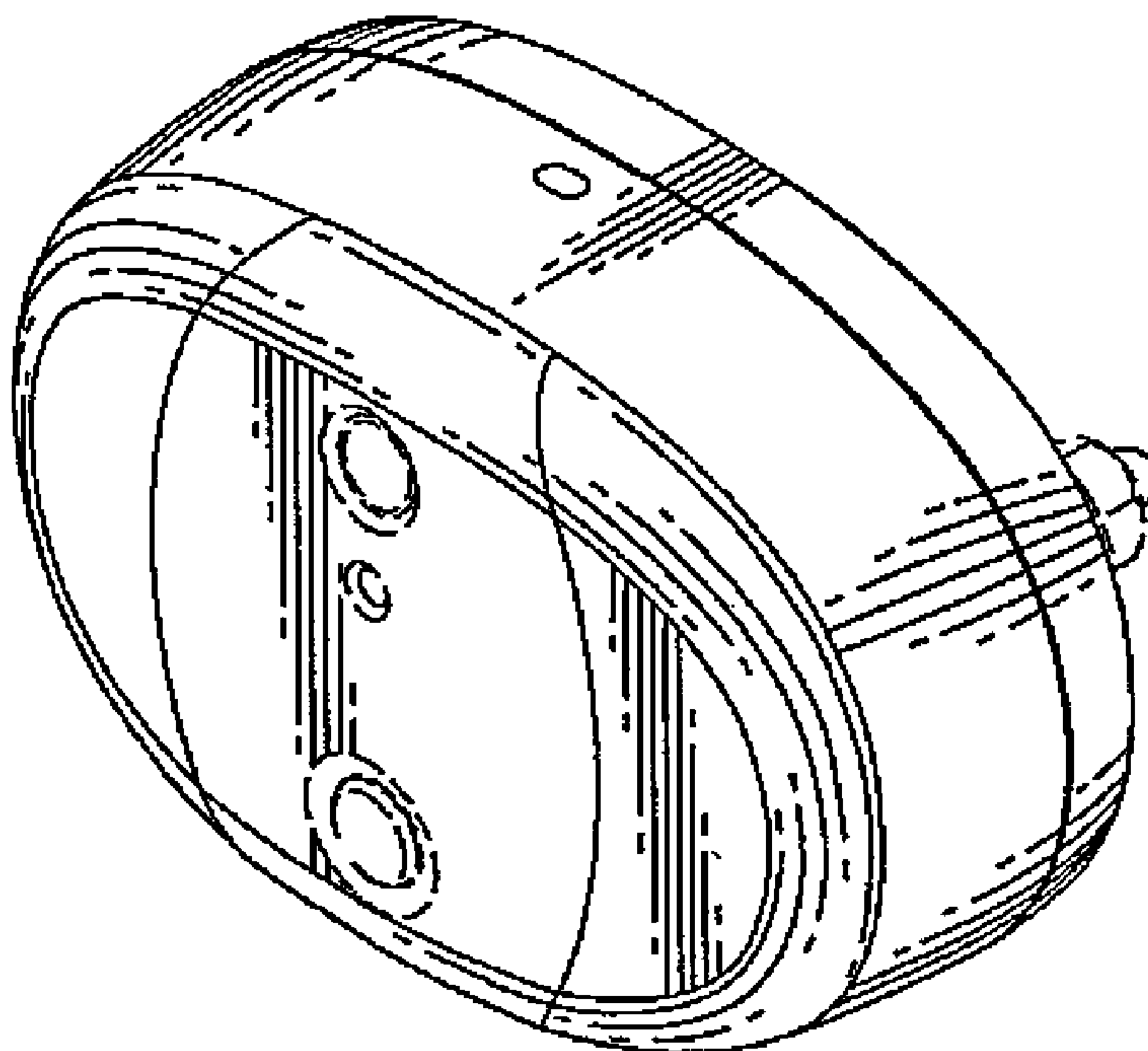
DESCRIPTION

FIG. 1 is a right front perspective view of a bark collar trainer showing our new design;
FIG. 2 is a front view thereof;
FIG. 3 is a rear view thereof;
FIG. 4 is a right side view thereof;
FIG. 5 is a left side view thereof;
FIG. 6 is a top plan view thereof; and,
FIG. 7 is a bottom plan view thereof.

The structural elements depicted by the broken lines have been shown for the purpose of illustrating portion of the bark collar trainer that form no part of the claimed design.

The double row of broke lines in FIG. 3 has been shown for the purpose of defining boundaries, the area within which forms no part of the claimed design.

1 Claim, 2 Drawing Sheets



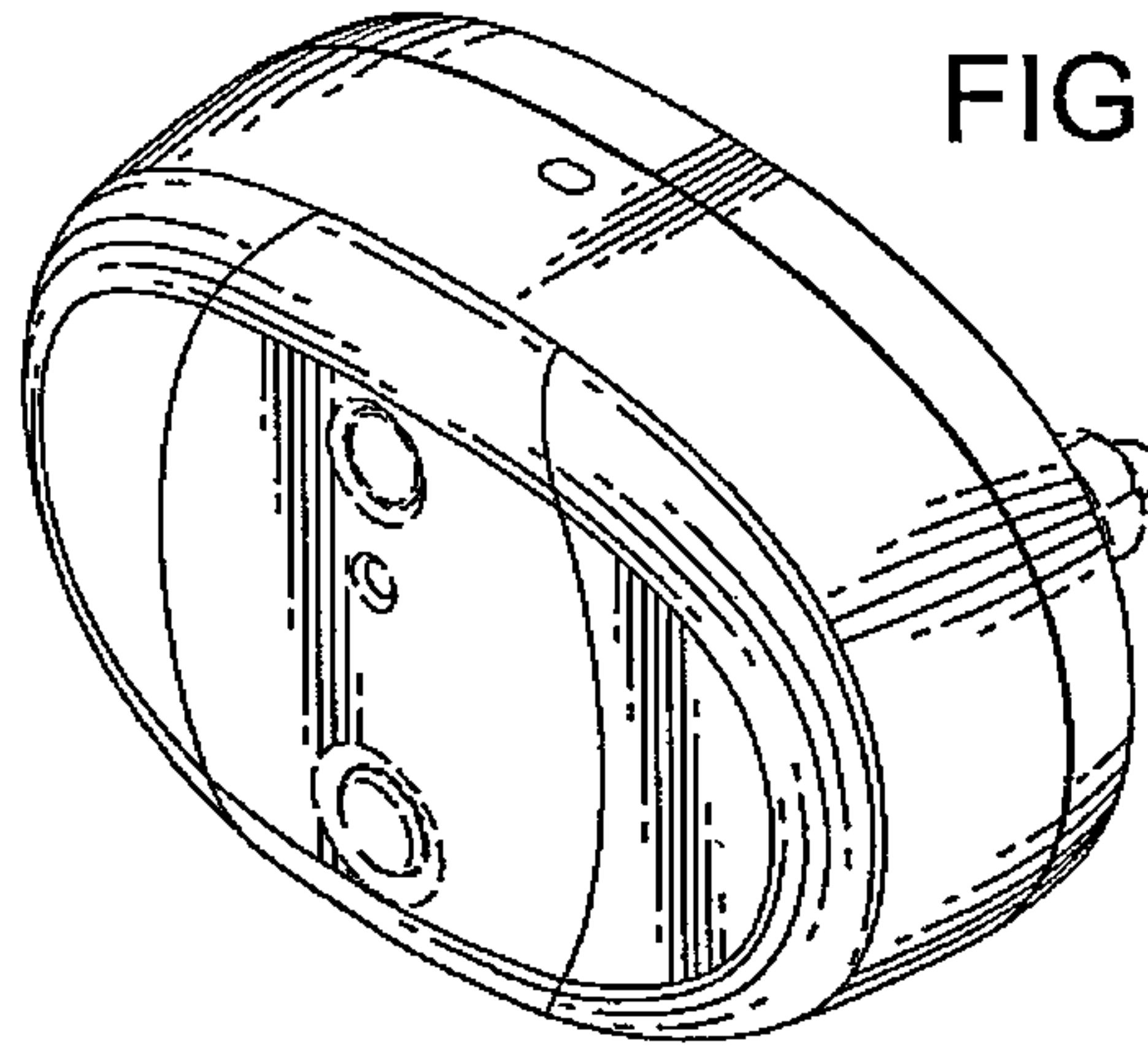


FIG. 1

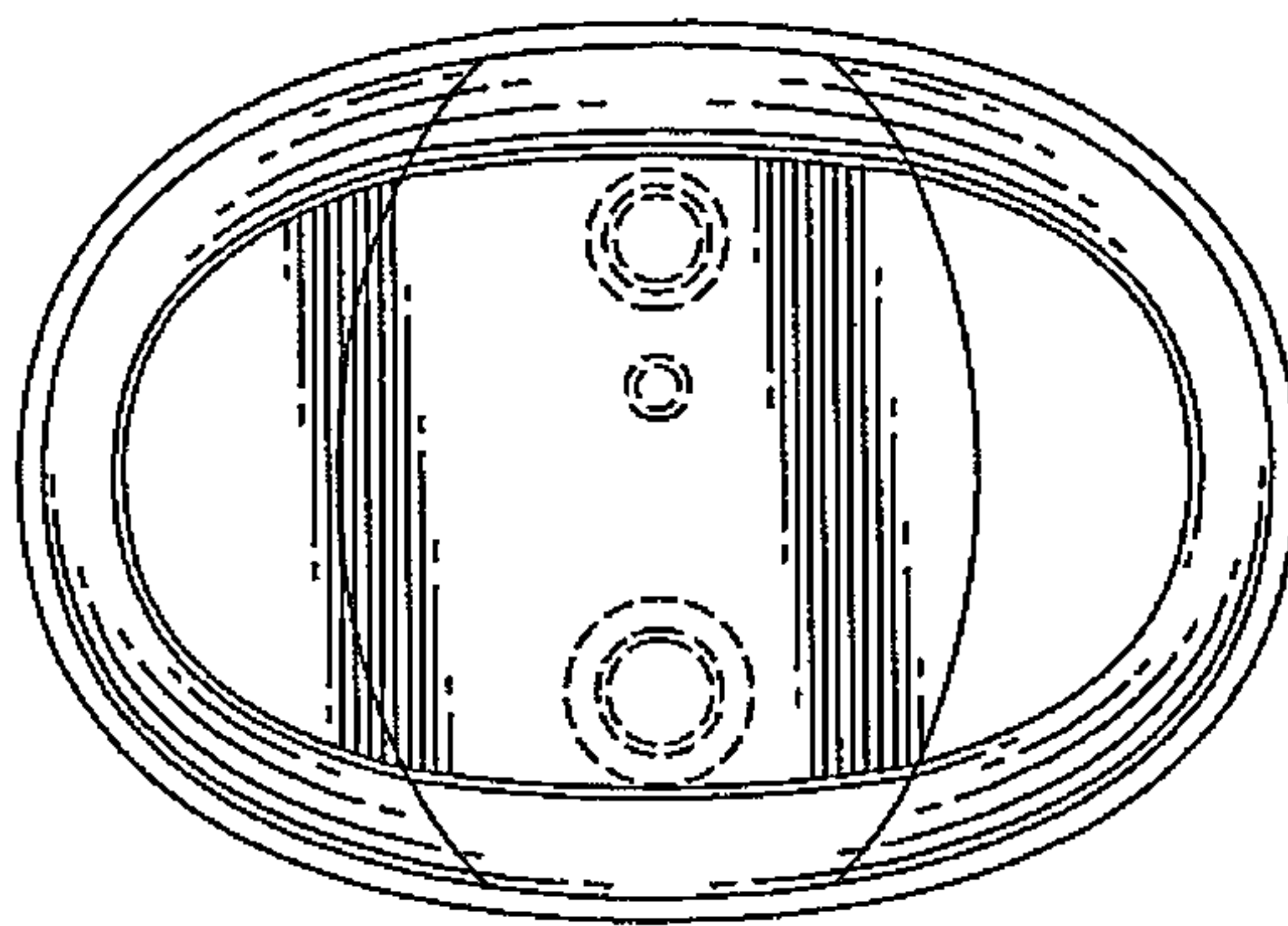


FIG. 2

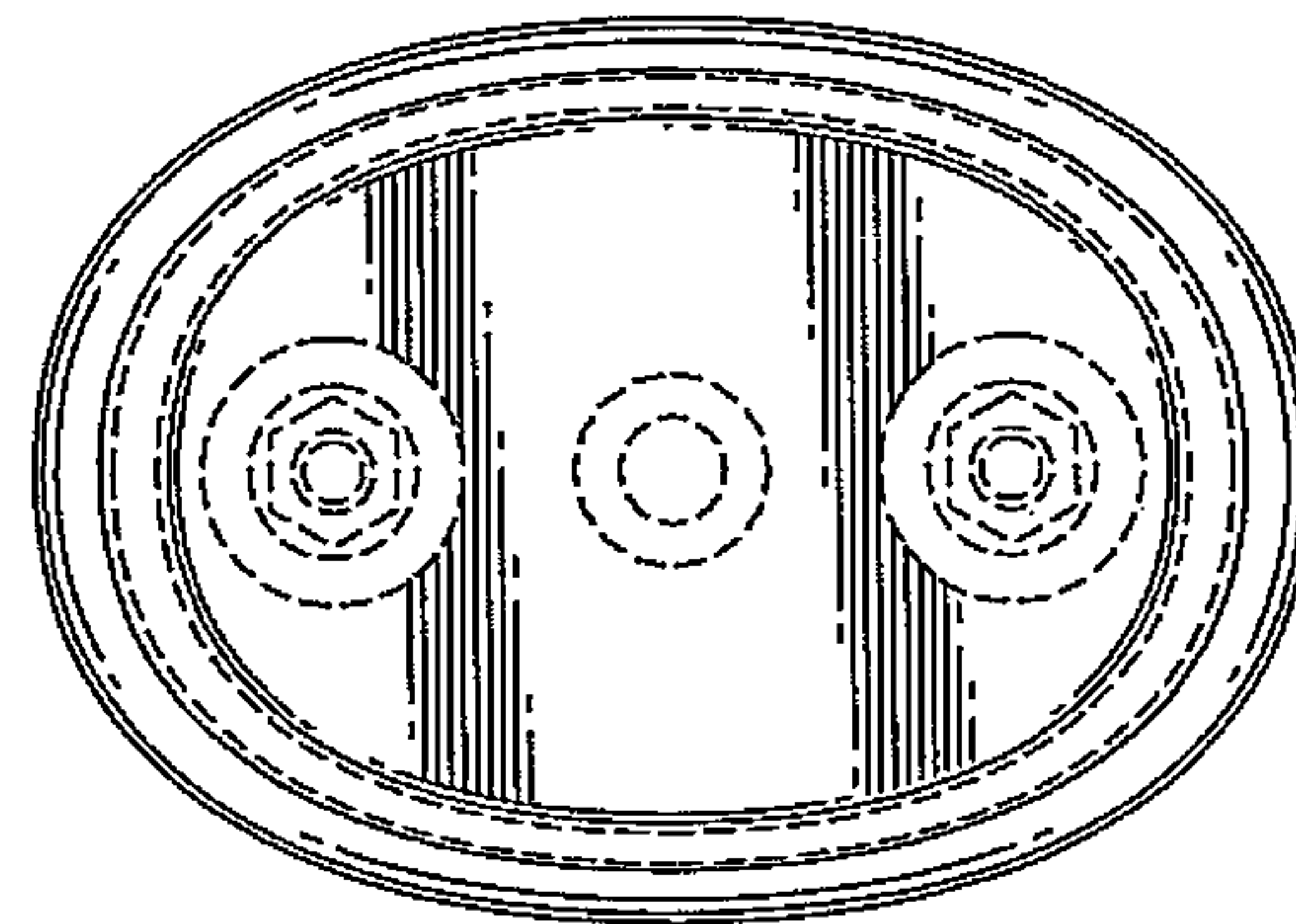


FIG. 3

FIG. 4

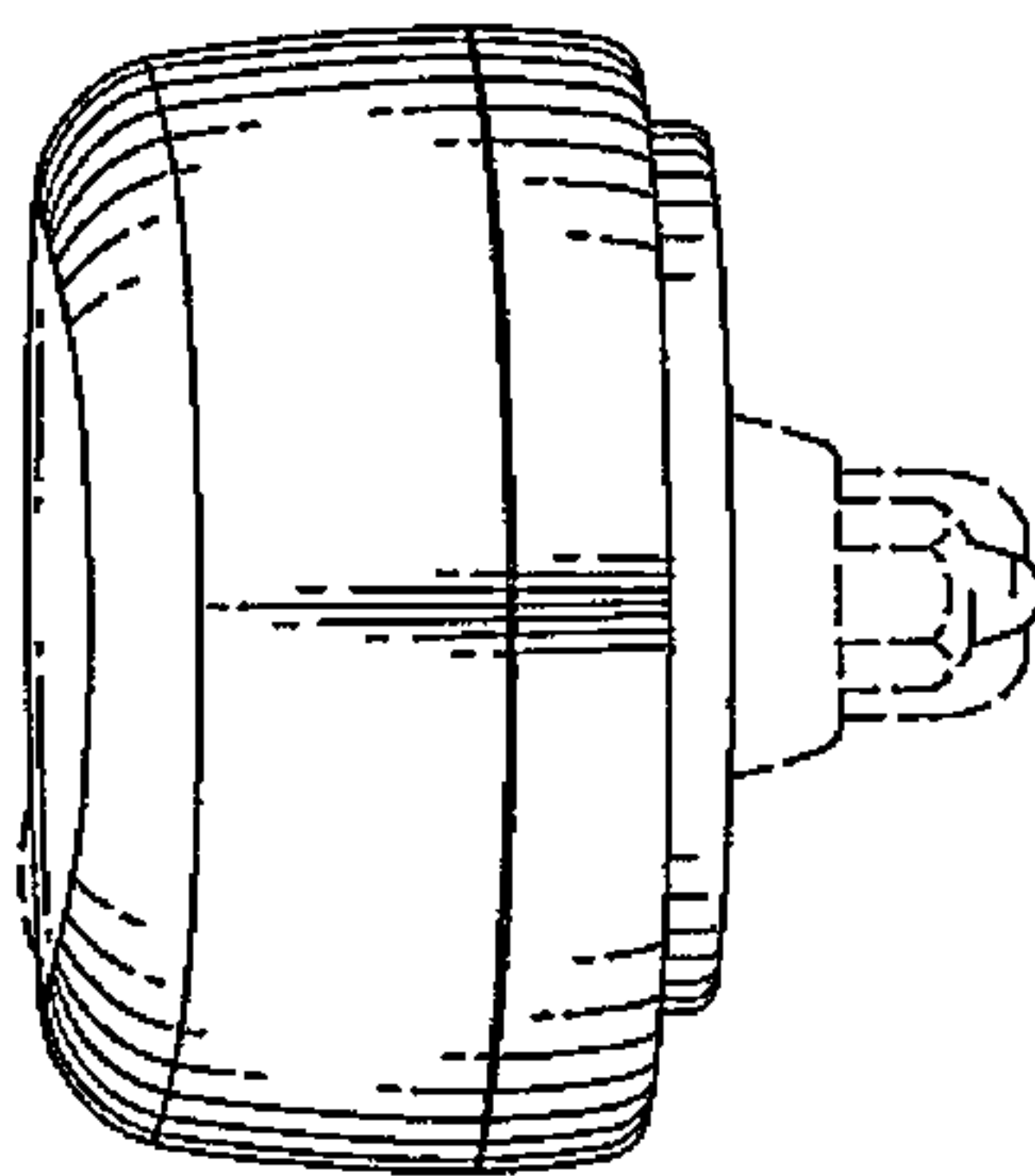


FIG. 5

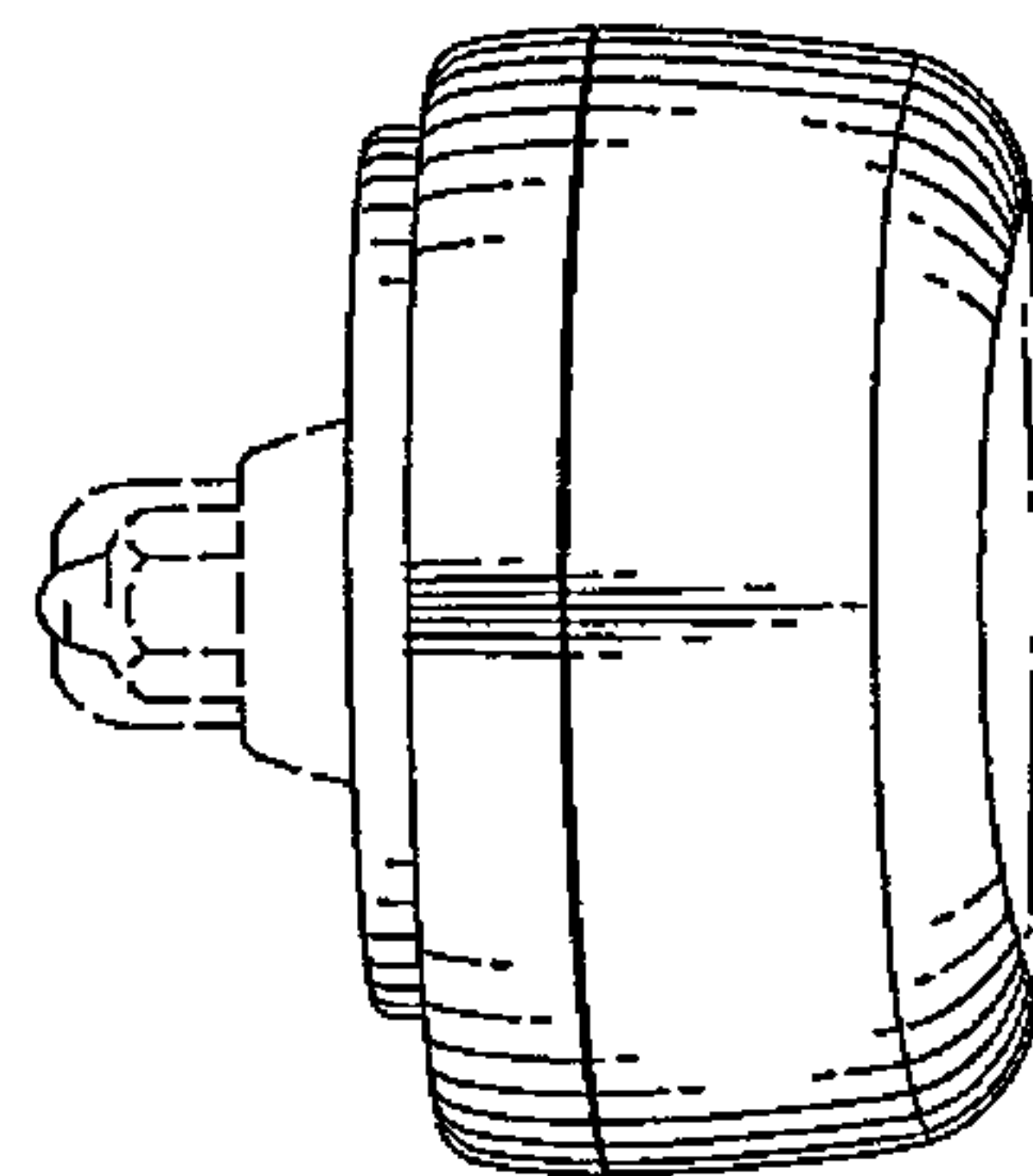


FIG. 6

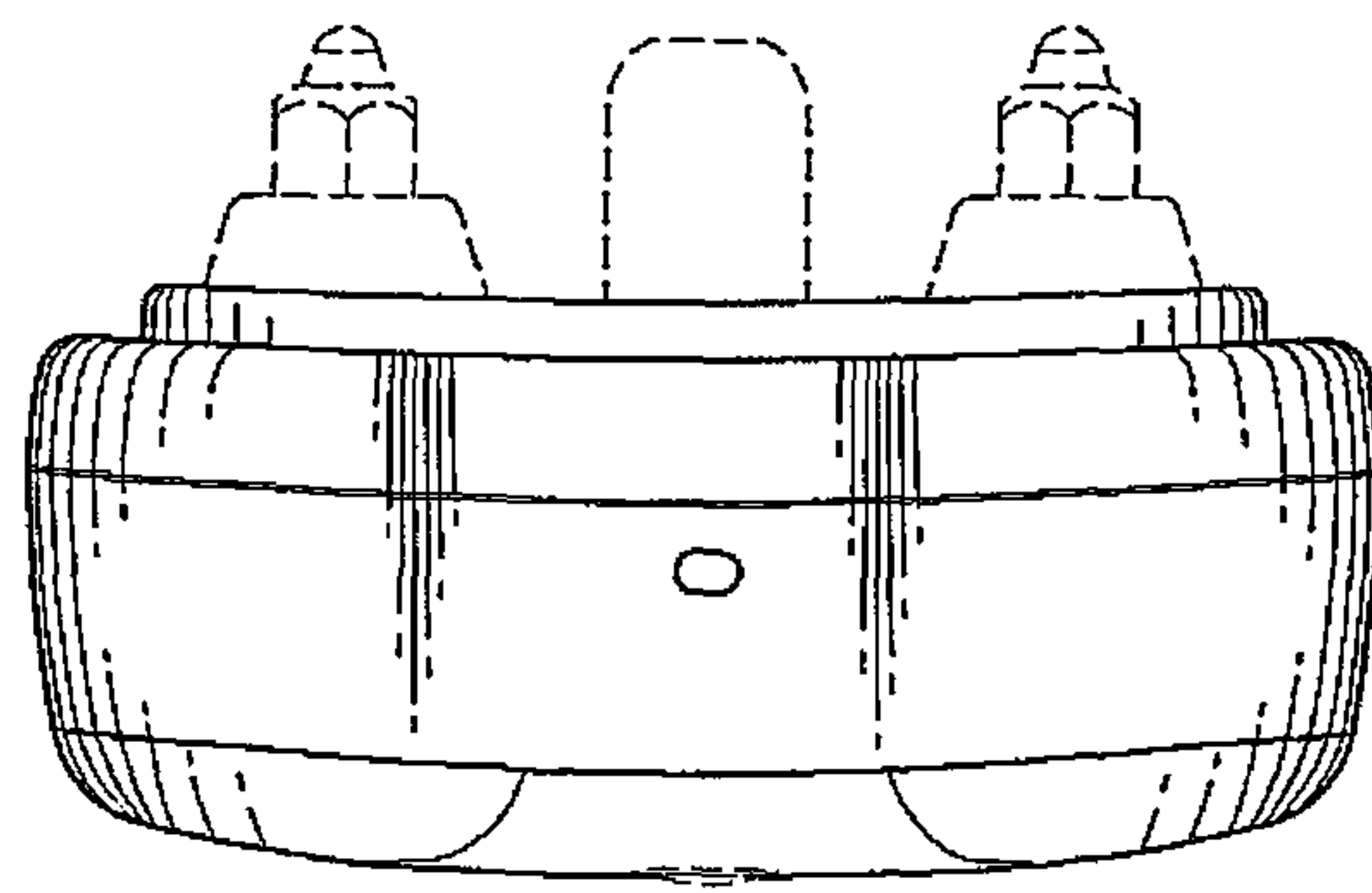


FIG. 7

