



US00D713102S

(12) **United States Design Patent**  
**Mader**

(10) **Patent No.:** **US D713,102 S**

(45) **Date of Patent:** **\*\* Sep. 9, 2014**

(54) **CAT SCRATCHER INSERT HOLDER**

(71) Applicant: **Dana Mader**, Rancho Santa Margarita,  
CA (US)

(72) Inventor: **Dana Mader**, Rancho Santa Margarita,  
CA (US)

(\*\*) Term: **14 Years**

(21) Appl. No.: **29/445,877**

(22) Filed: **Feb. 18, 2013**

(51) **LOC (10) Cl.** ..... **30-99**

(52) **U.S. Cl.**  
USPC ..... **D30/160; D30/118**

(58) **Field of Classification Search**  
USPC ..... **D30/118, 160; D6/349; 119/702,**  
**119/706-711, 28.5; D19/92**  
See application file for complete search history.

(56) **References Cited**

**U.S. PATENT DOCUMENTS**

D230,542 S	*	3/1974	Garrett	.....	D6/375
D341,031 S	*	11/1993	Burkhart	.....	D6/349
D604,018 S	*	11/2009	Simpson et al.	.....	D30/160

\* cited by examiner

*Primary Examiner* — Cathy A MacCormac

(74) *Attorney, Agent, or Firm* — QuickPatents; Kevin Prince

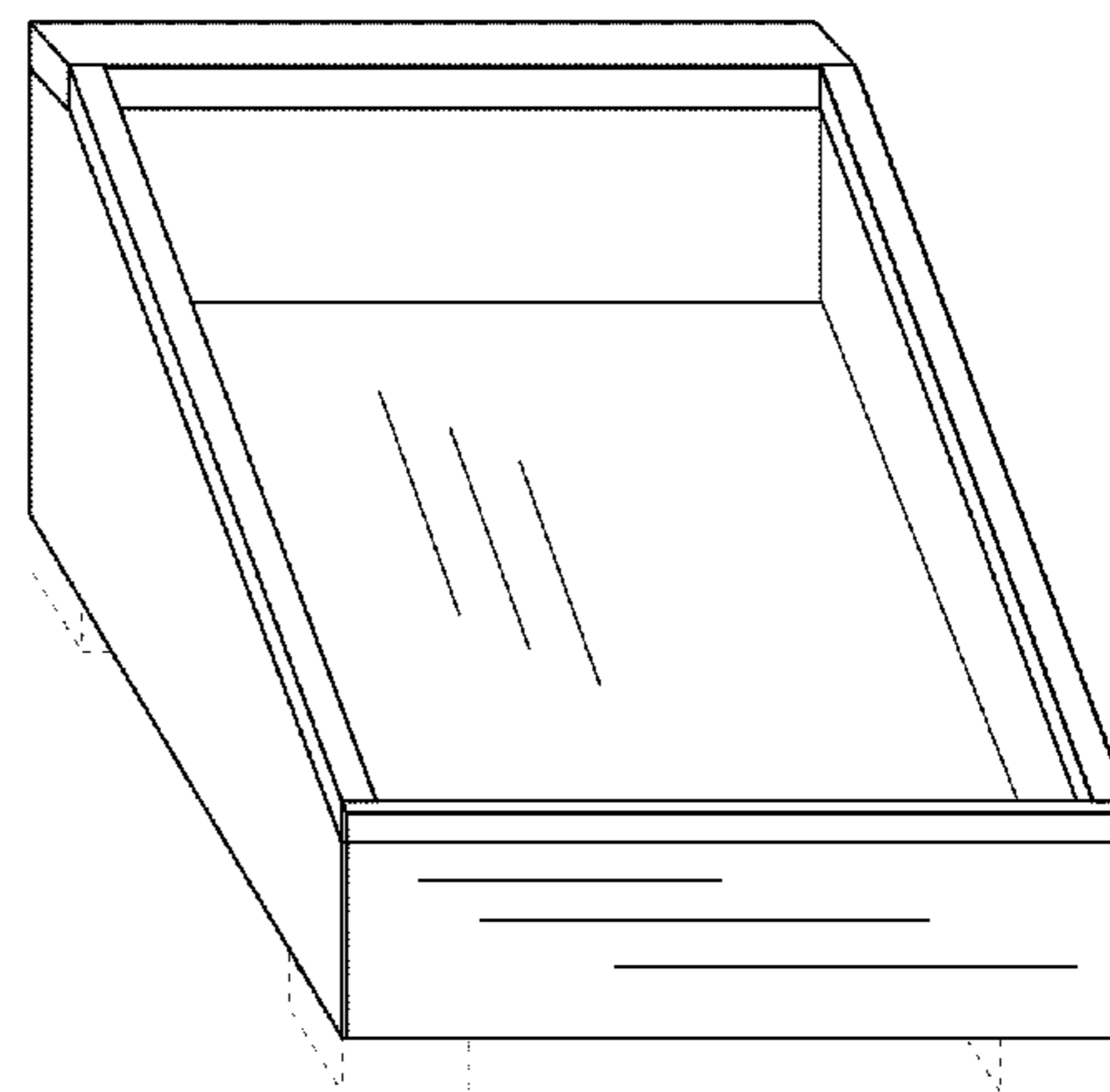
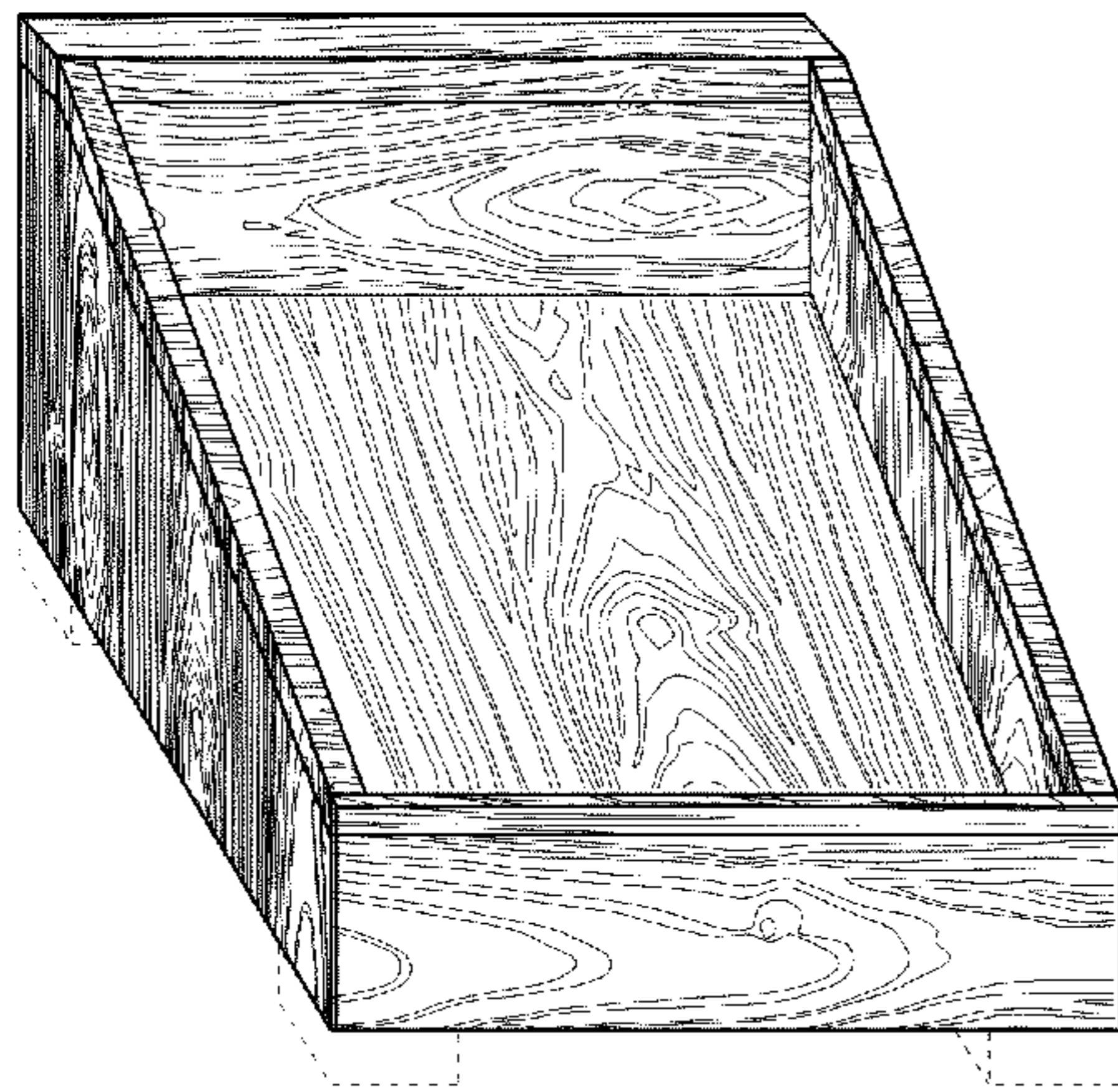
(57) **CLAIM**

I claim the ornamental design for a cat scratcher insert holder,  
as shown and described.

**DESCRIPTION**

FIG. 1 is a perspective view of a cat scratcher insert holder, showing a first embodiment of my new design; FIG. 2 is a front elevational view of FIG. 1; FIG. 3 is a rear elevational view of FIG. 1; FIG. 4 is a right-side elevational view of FIG. 1, the left-side elevational view being a mirror image thereof; FIG. 5 is a top plan view of FIG. 1; FIG. 6 is a bottom plan view of FIG. 1; FIG. 7 is a perspective view of a second embodiment thereof; FIG. 8 is a front elevational view of FIG. 7; FIG. 9 is a rear elevational view of FIG. 7; FIG. 10 is a right-side elevational view of FIG. 7, the left-side elevational view being a mirror image thereof; FIG. 11 is a top plan view of FIG. 7; and, FIG. 12 is a bottom plan view of FIG. 7. The broken lines showing a cat scratcher insert on FIGS. 1 and 7 and four legs on FIGS. 1-4, 6-10 and 12 are for illustration only and form no part of the claimed design.

**1 Claim, 4 Drawing Sheets**



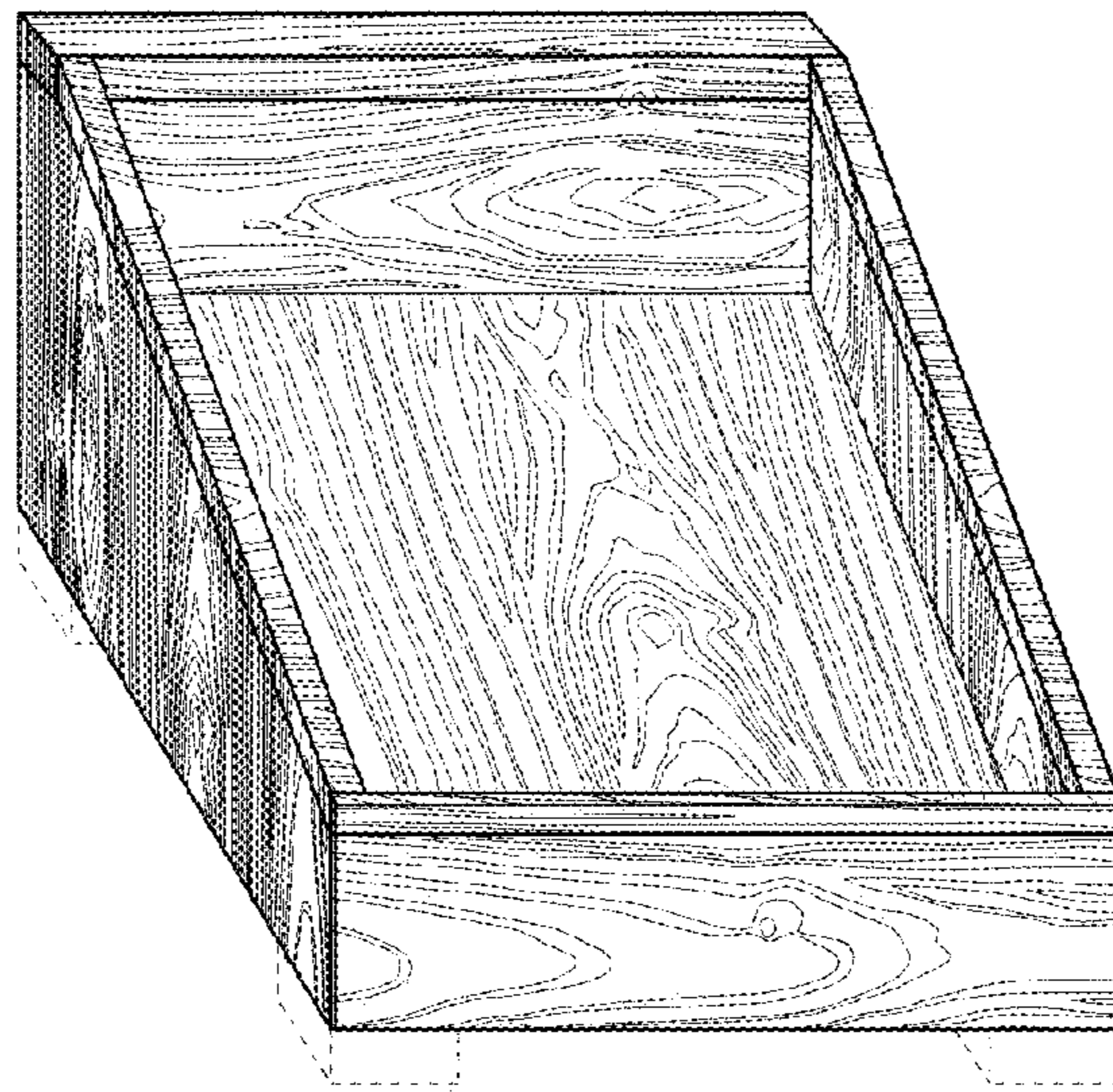


FIG. 1

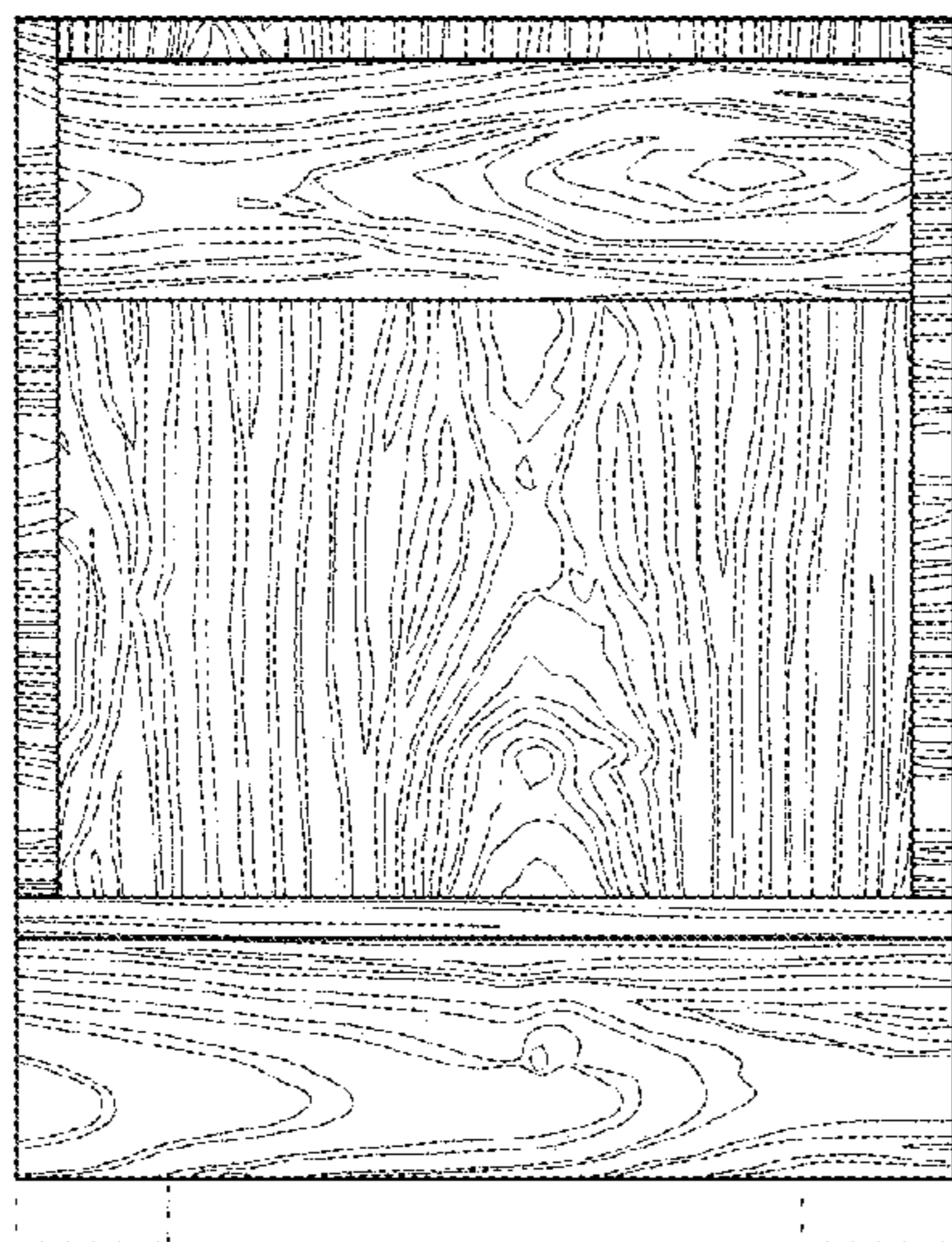


FIG. 2

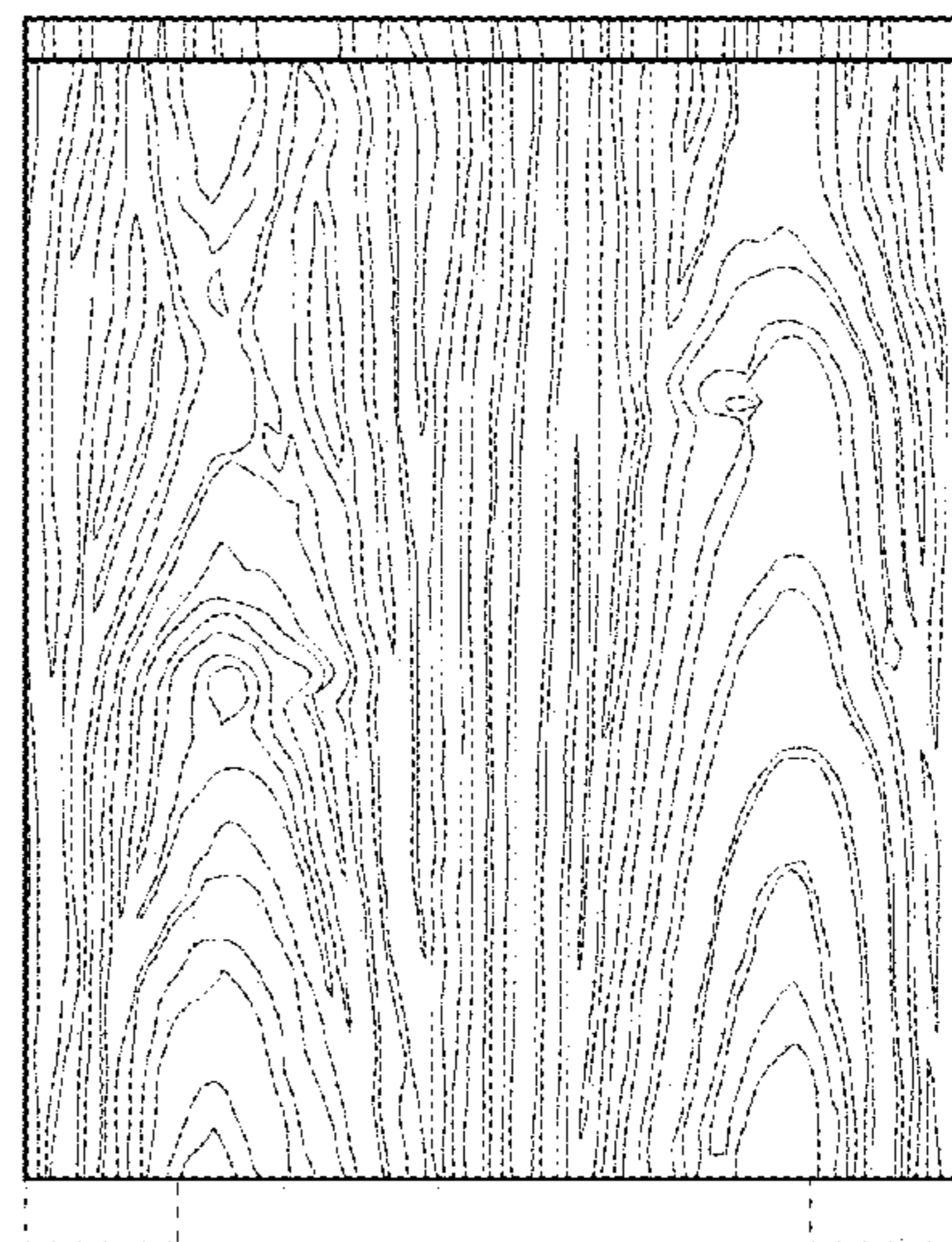


FIG. 3

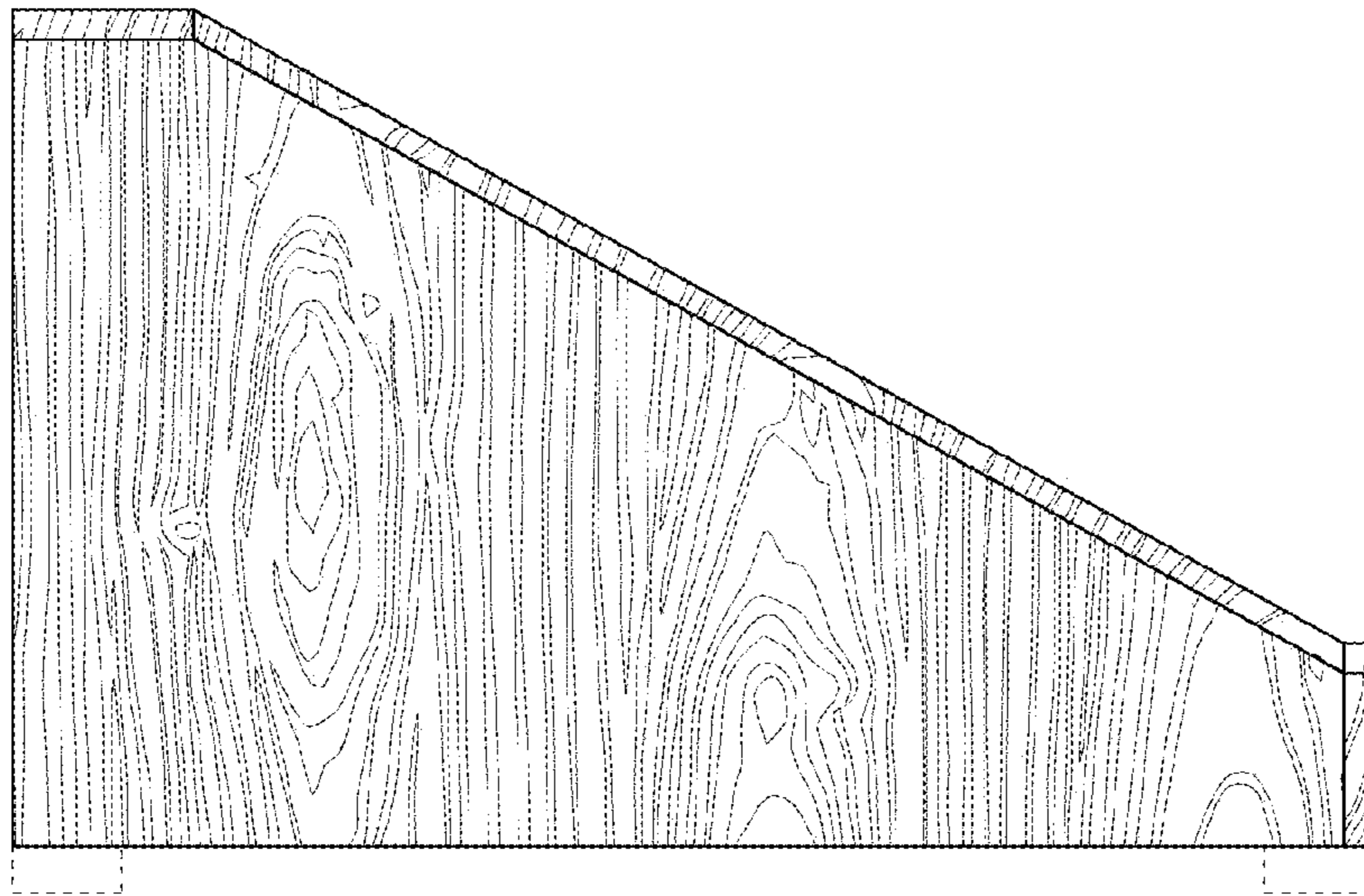


FIG. 4

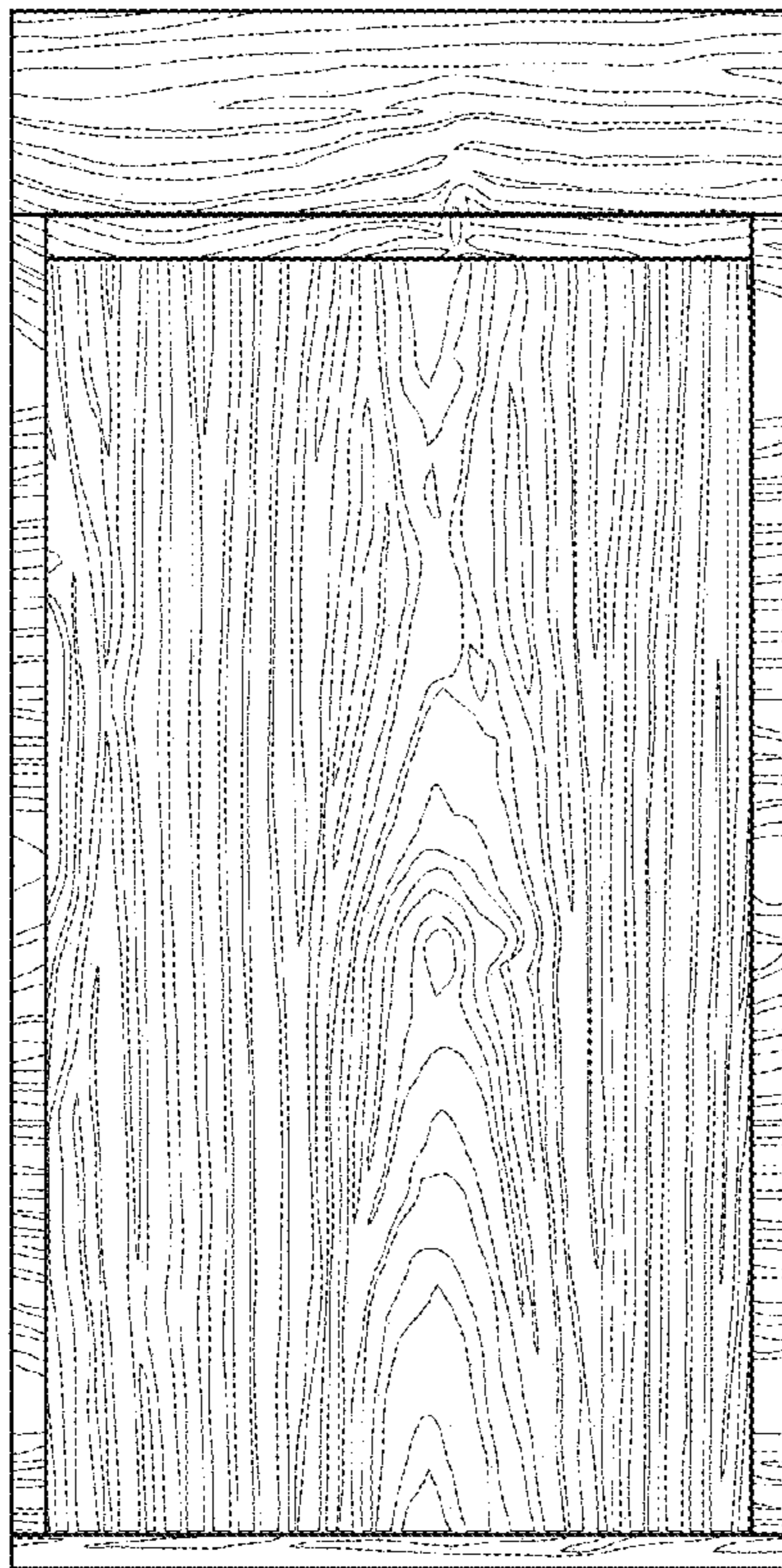


FIG. 5

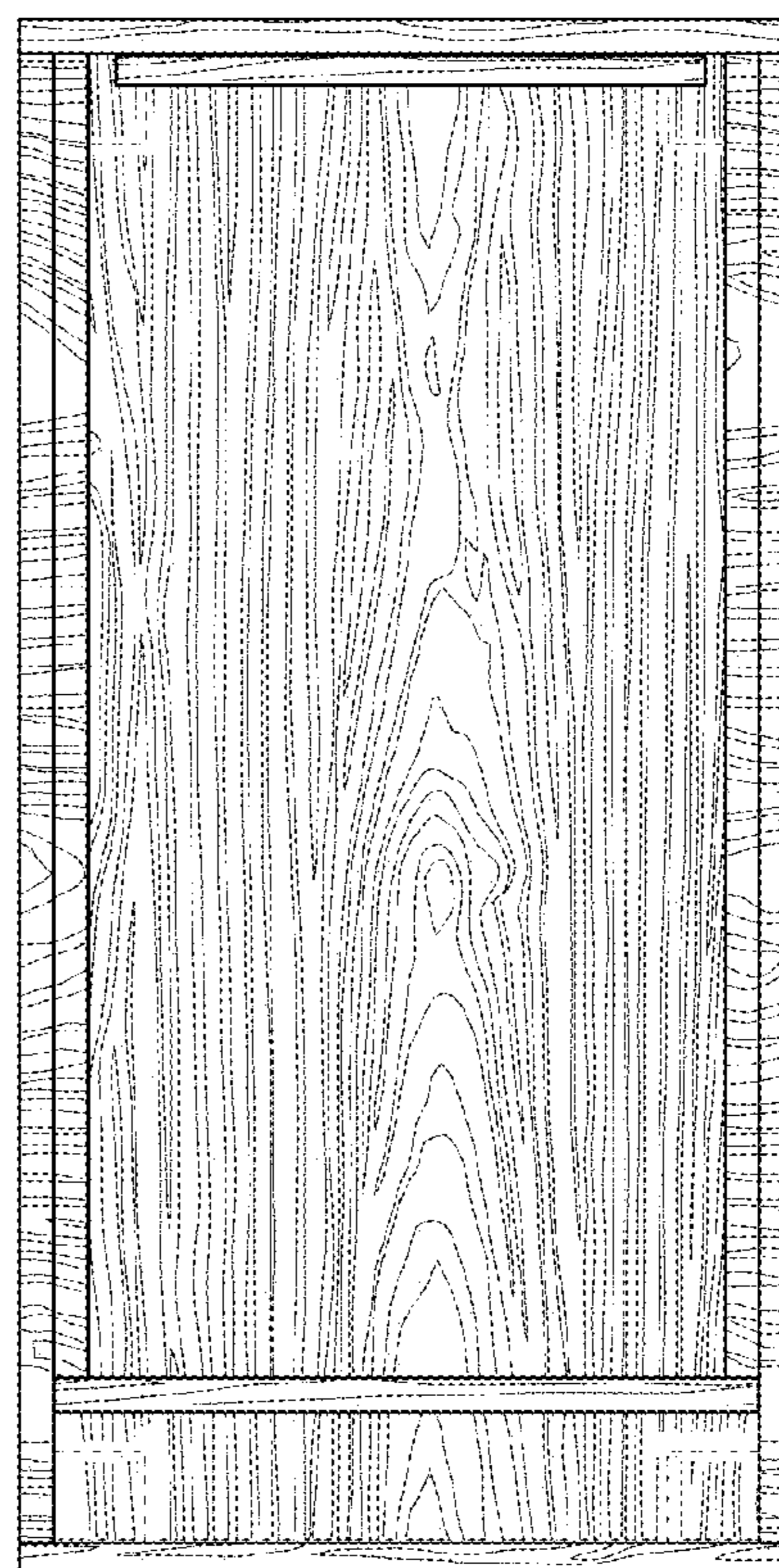


FIG. 6

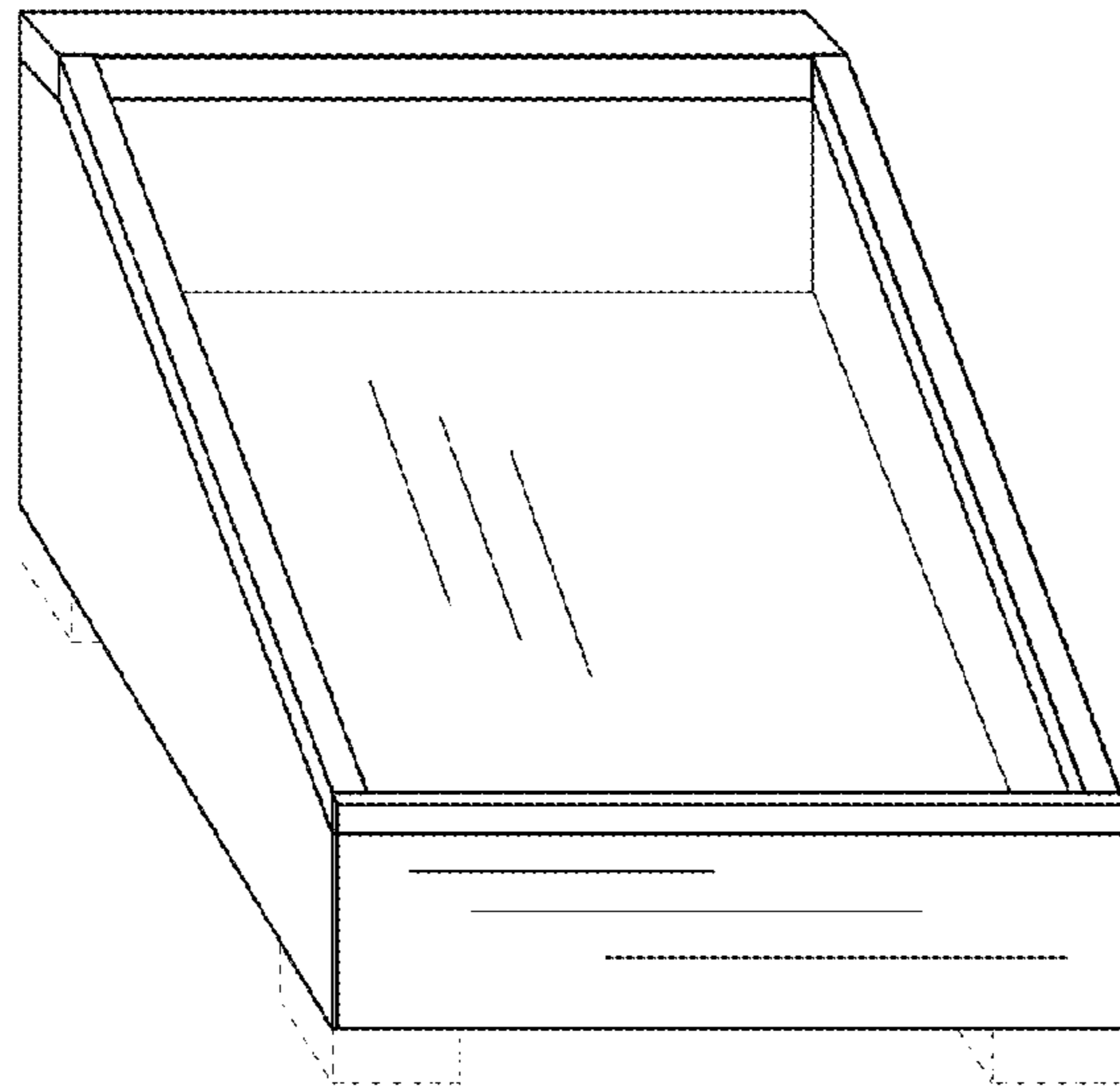


FIG. 7

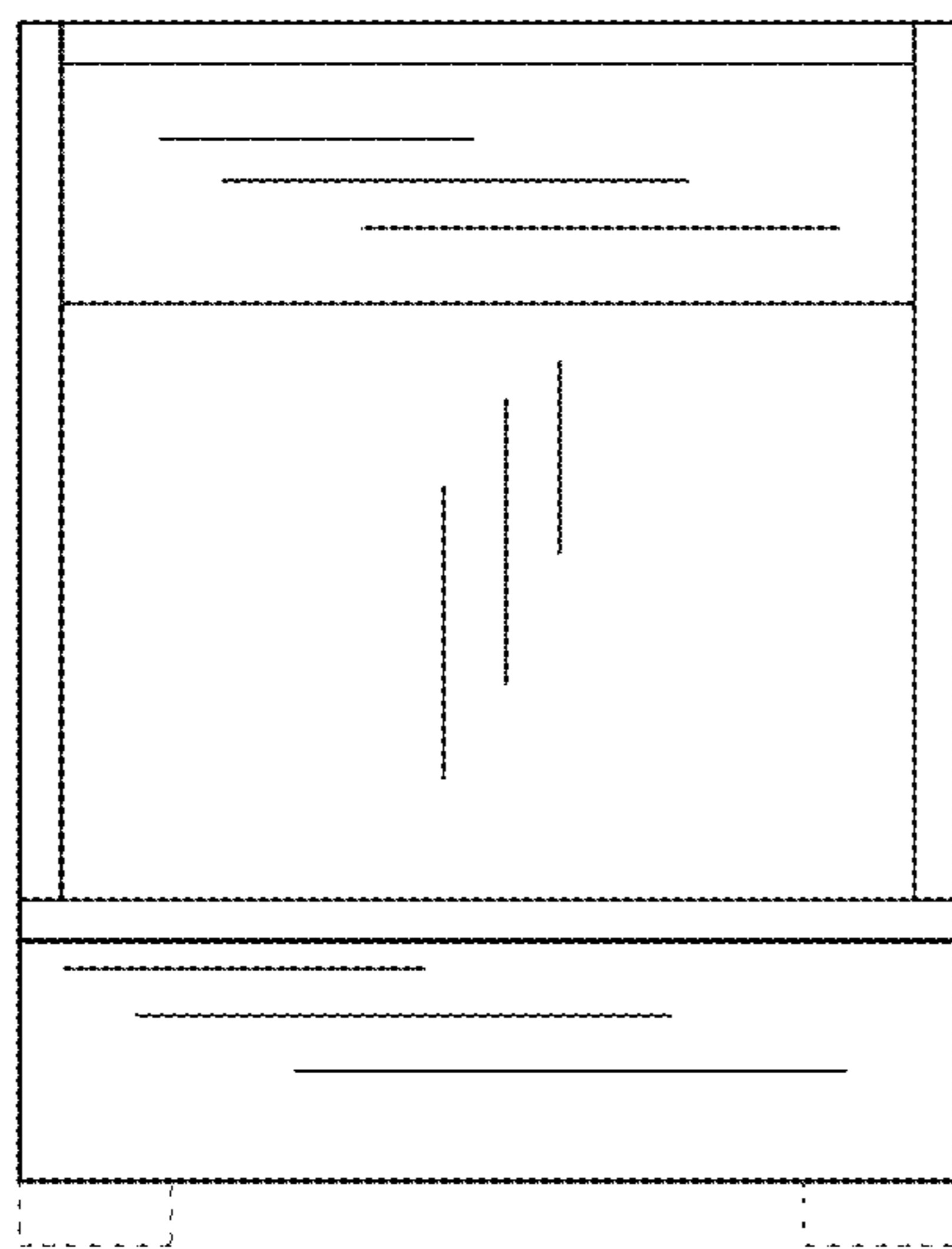


FIG. 8

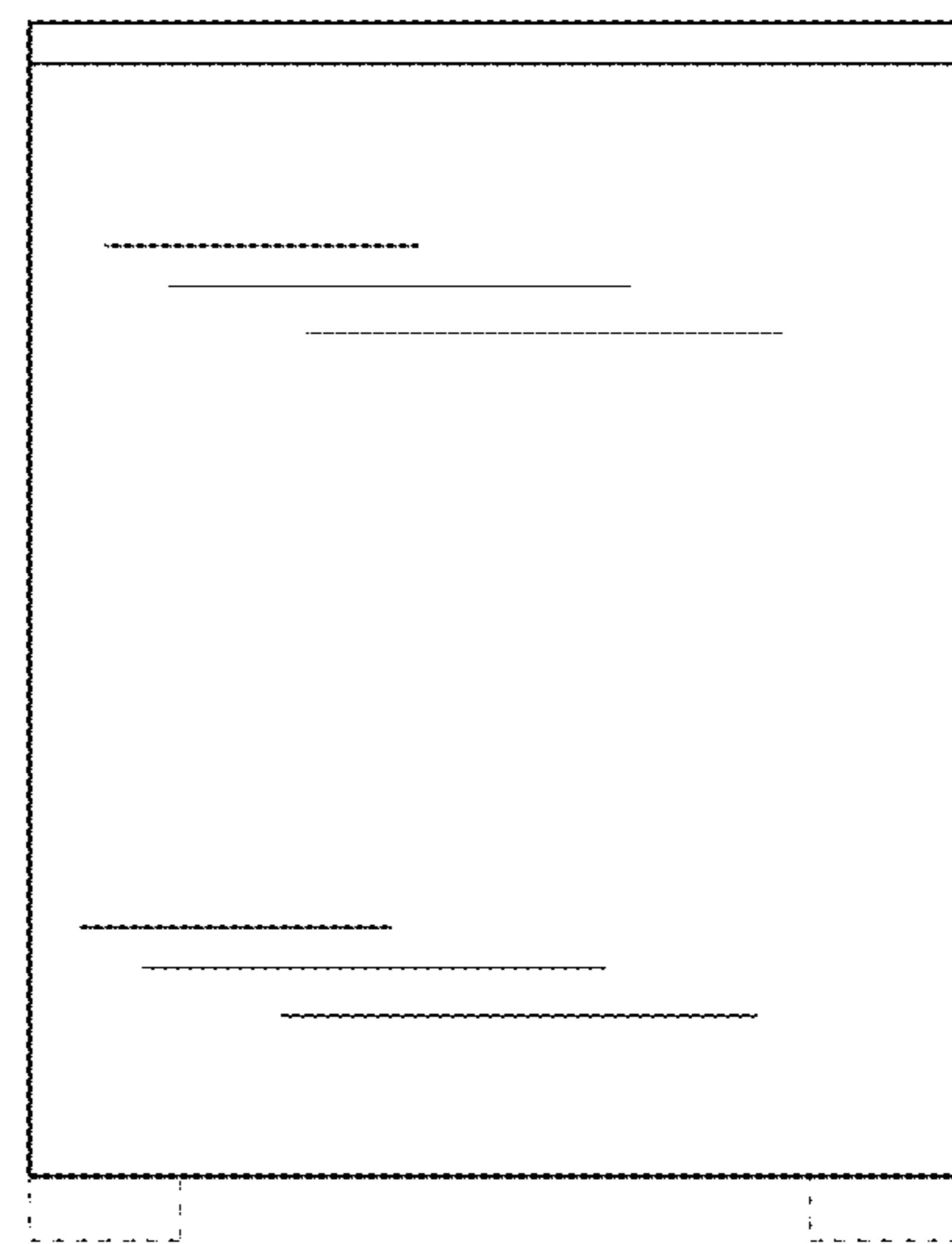


FIG. 9

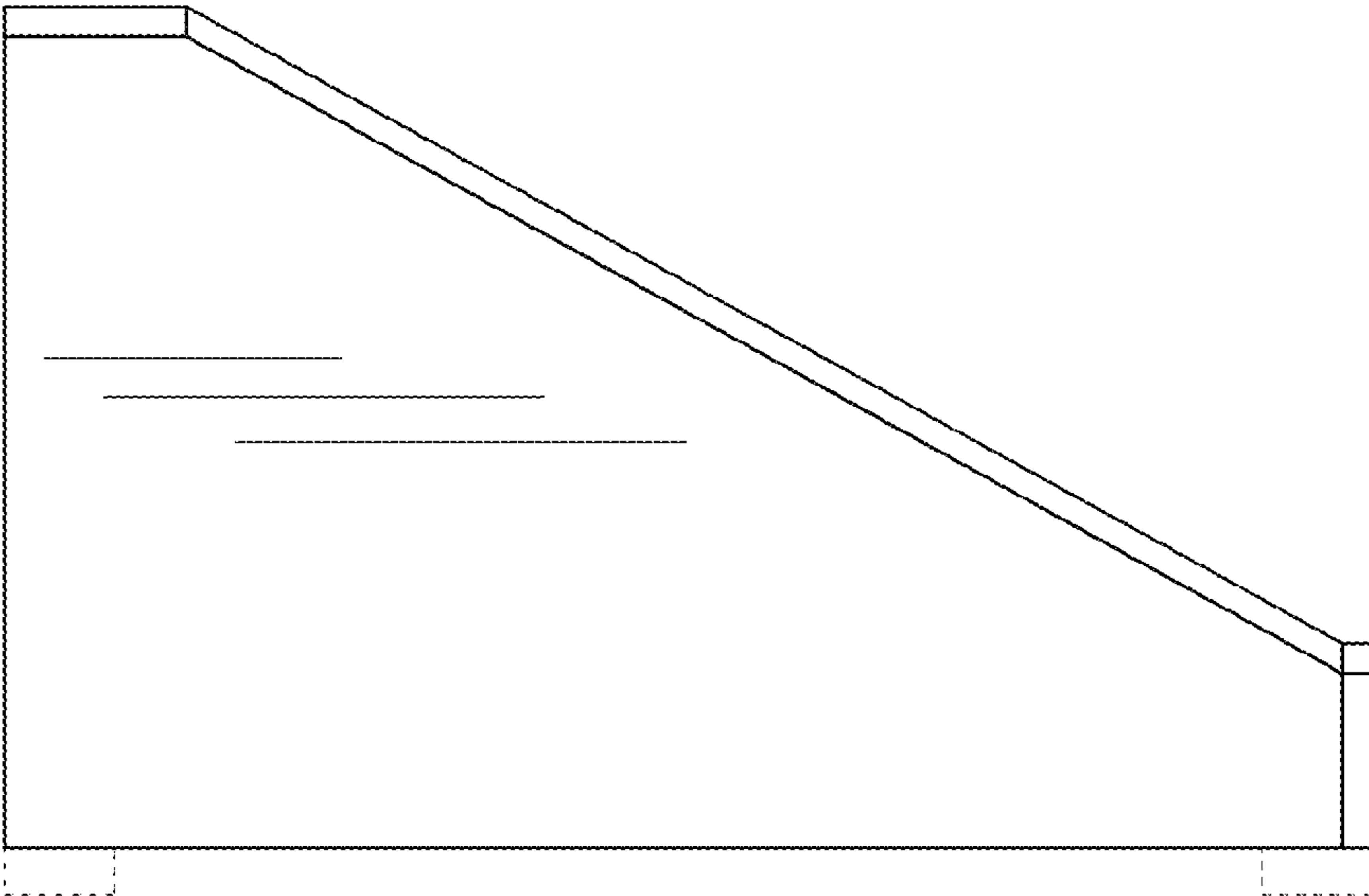


FIG. 10

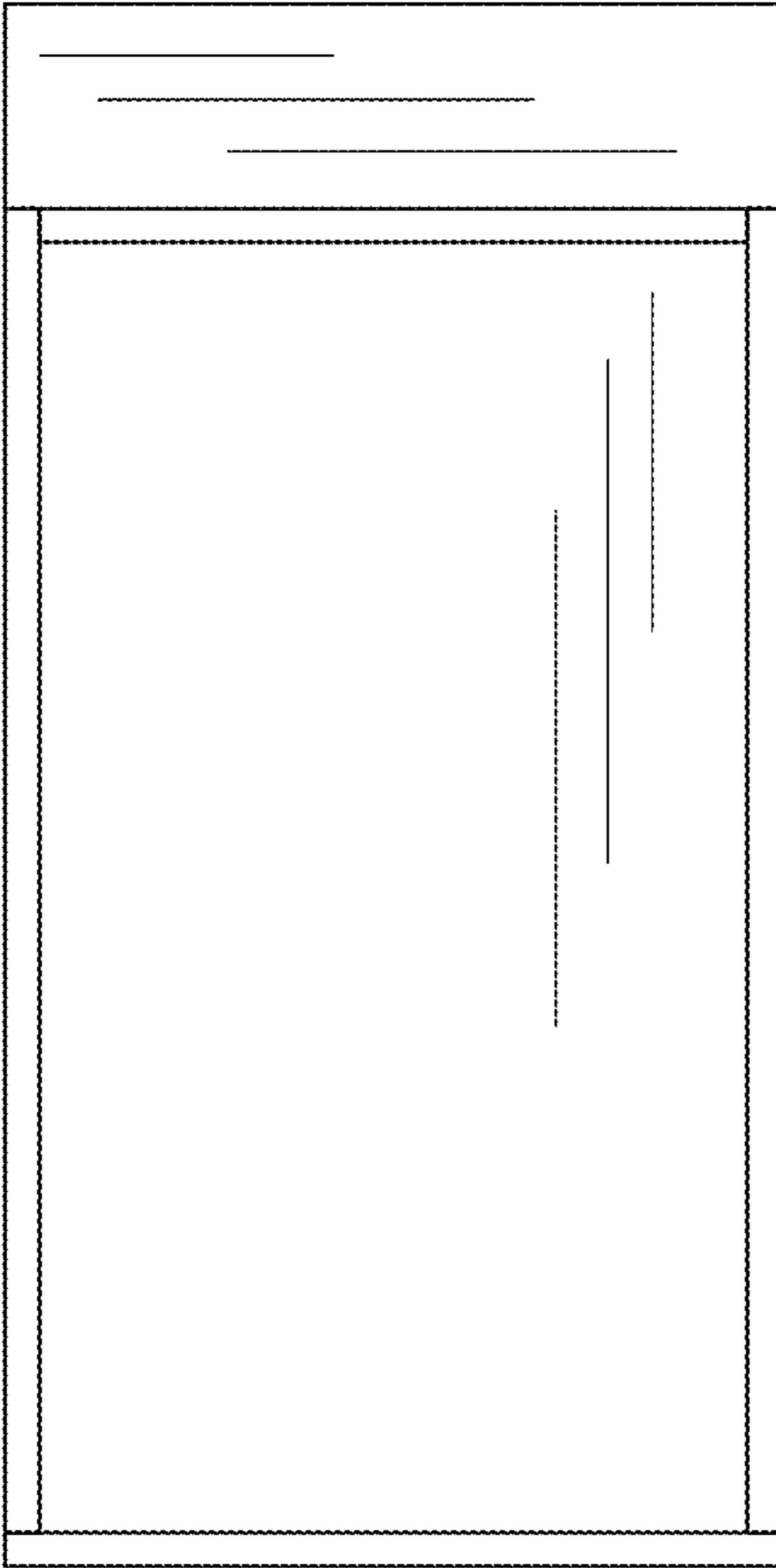


FIG. 11

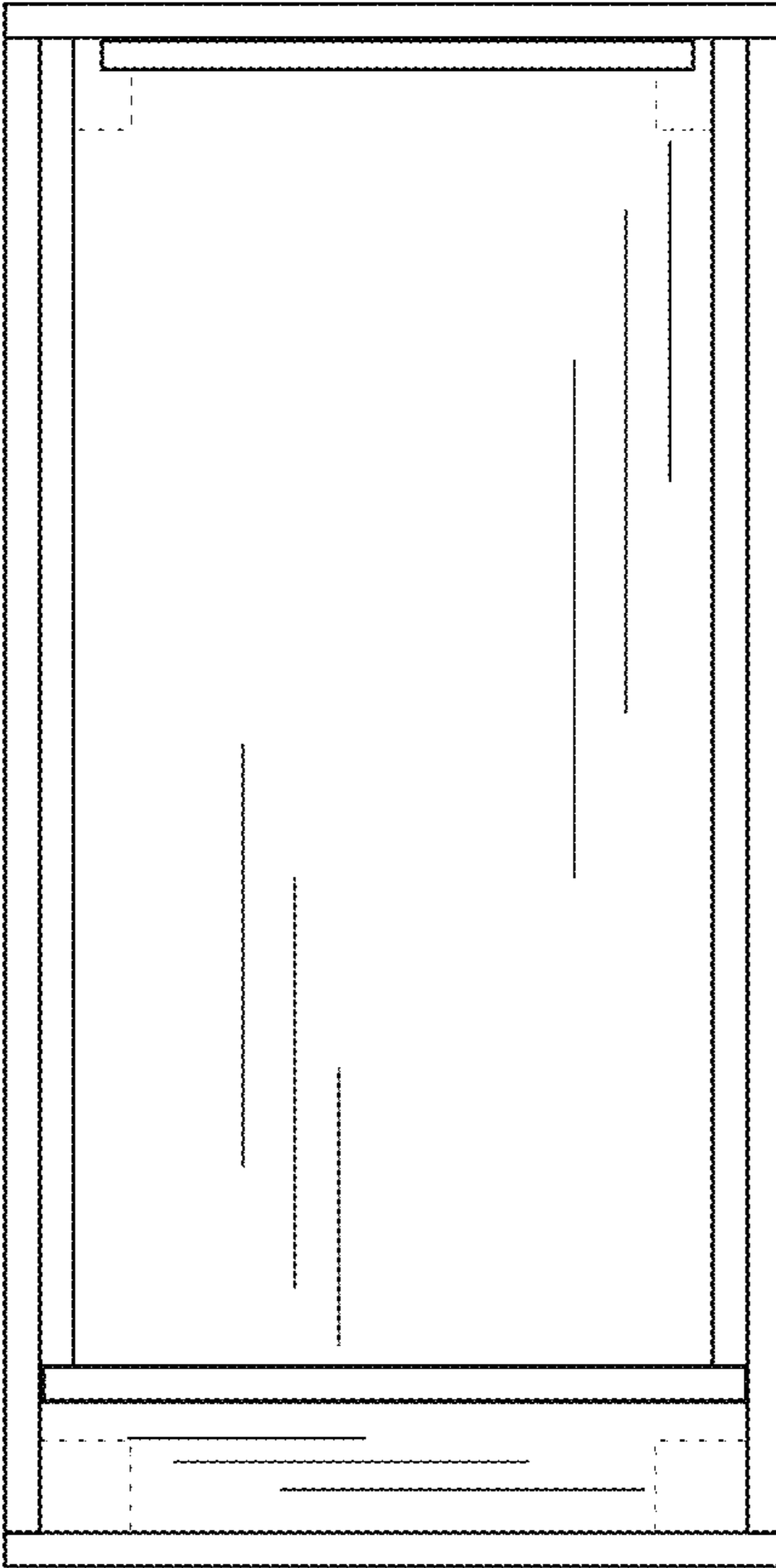


FIG. 12