



US00D713095S

(12) **United States Design Patent**  
**Bishop et al.**

(10) **Patent No.:** **US D713,095 S**  
(45) **Date of Patent:** **\*\* Sep. 9, 2014**

(54) **HAIR PIN OPENER APPARATUS**  
(71) Applicant: **Conair Corporation**, Stamford, CT (US)  
(72) Inventors: **Daniel Bishop**, Monroe, CT (US);  
**Jessica Hurwit**, Cheshire, CT (US)  
(73) Assignee: **Conair Corporation**, Stamford, CT (US)  
(\*\*) Term: **14 Years**

2,507,031 A 5/1950 Maggio et al.  
2,509,897 A 5/1950 Williams et al.  
2,513,971 A 7/1950 Skinner  
2,528,991 A 11/1950 Auman  
2,529,385 A 11/1950 Guss  
2,535,170 A 12/1950 Stephenson  
2,543,356 A 2/1951 Deuillet  
2,544,595 A 3/1951 Haase  
2,546,528 A 3/1951 Snyder  
2,548,561 A 4/1951 Sewol  
2,551,991 A 5/1951 Armstrong et al.  
2,571,481 A 10/1951 Peguero  
2,576,822 A 11/1951 Bartsch  
2,600,092 A 6/1952 Buelow

(Continued)

(21) Appl. No.: **29/439,643**

(22) Filed: **Dec. 13, 2012**

(51) **LOC (10) Cl.** ..... **28-03**

(52) **U.S. Cl.**  
USPC ..... **D28/10; D28/75; D28/99; D9/600**

(58) **Field of Classification Search**  
CPC ..... **A45D 8/00; A45D 8/18**  
USPC ..... **132/330, 331; D9/600; D28/9-10, 99, D28/75, 43**

See application file for complete search history.

FOREIGN PATENT DOCUMENTS

DE 10205806 A1 \* 11/2003 ..... A23P 1/10

*Primary Examiner* — Jennifer Rivard

(74) *Attorney, Agent, or Firm* — Carter, DeLuca, Farrell & Schmidt, LLP

(57) **CLAIM**

The ornamental design for the hair pin opener apparatus, as shown and described.

(56) **References Cited**

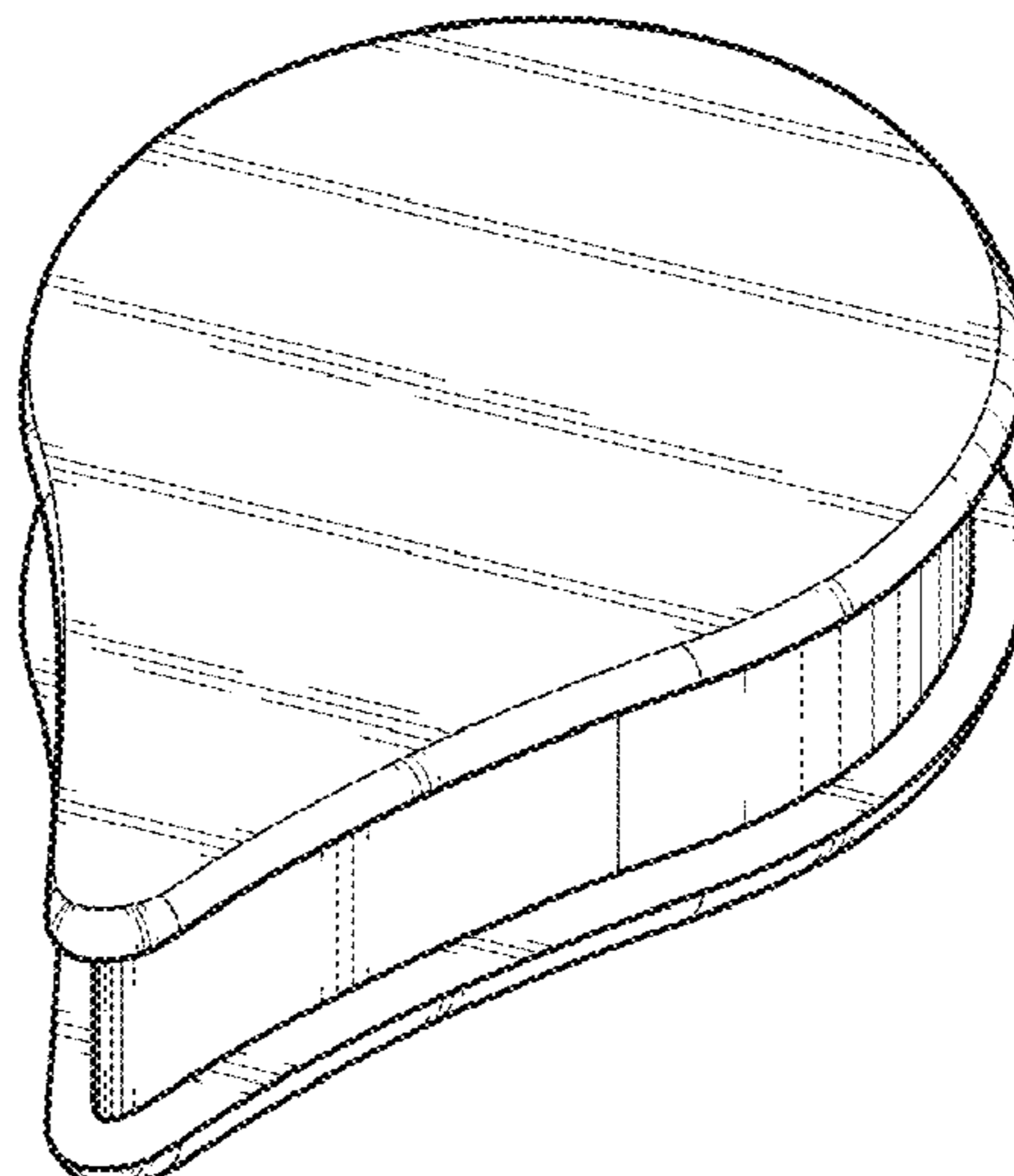
U.S. PATENT DOCUMENTS

2,150,144 A 3/1939 Andersen  
2,262,223 A 11/1941 Chessin  
2,340,894 A 2/1944 Morrell  
2,406,060 A 8/1946 Byron  
2,434,047 A 1/1948 McArthur  
2,438,172 A 3/1948 Johnson  
2,439,870 A 4/1948 Sharp, Sr.  
2,441,947 A 5/1948 Welch  
2,445,373 A 7/1948 Turner  
2,460,562 A 2/1949 Worrell  
2,480,581 A 8/1949 Hopkins  
2,489,579 A 11/1949 King  
2,506,859 A 5/1950 Des Saultes

**DESCRIPTION**

FIG. 1 is a perspective view of the hair pin opener apparatus in accordance with the principles of the present disclosure; FIG. 2 is a side elevation view of the hair pin opener apparatus; FIG. 3 is a front elevation view of the hair pin opener apparatus; FIG. 4 is a rear elevation view of the hair pin opener apparatus; FIG. 5 is a top plan view of the hair pin opener apparatus; and, FIG. 6 is a bottom plan view of the hair pin opener apparatus.

**1 Claim, 3 Drawing Sheets**



(56)

**References Cited**

U.S. PATENT DOCUMENTS

2,602,456 A	7/1952	Le Master	3,905,380 A	9/1975	Bontempi
2,606,563 A	8/1952	Hayden	3,927,685 A	12/1975	Bontempi
2,662,533 A	12/1953	Swanson et al.	4,219,034 A	8/1980	Nemish
2,687,736 A	8/1954	Bohmholdt	4,270,554 A	6/1981	Lazzaro
2,710,612 A	6/1955	Reilly	4,553,557 A	11/1985	Johnson
2,796,871 A	6/1957	Mussy	4,974,613 A	12/1990	Ho
2,832,355 A	4/1958	Mater et al.	5,682,908 A	11/1997	Chou
2,833,291 A	5/1958	Campagna	D470,626 S *	2/2003	Sugiyama ..... D28/55
3,016,058 A	1/1962	Clayton	D511,106 S *	11/2005	Sevart ..... D10/20
3,413,983 A	12/1968	Halstead	D528,484 S *	9/2006	Schmidt et al. .... D12/187
			D692,737 S *	11/2013	Good ..... D8/28
			D701,126 S *	3/2014	Bishop et al. .... D9/718

\* cited by examiner

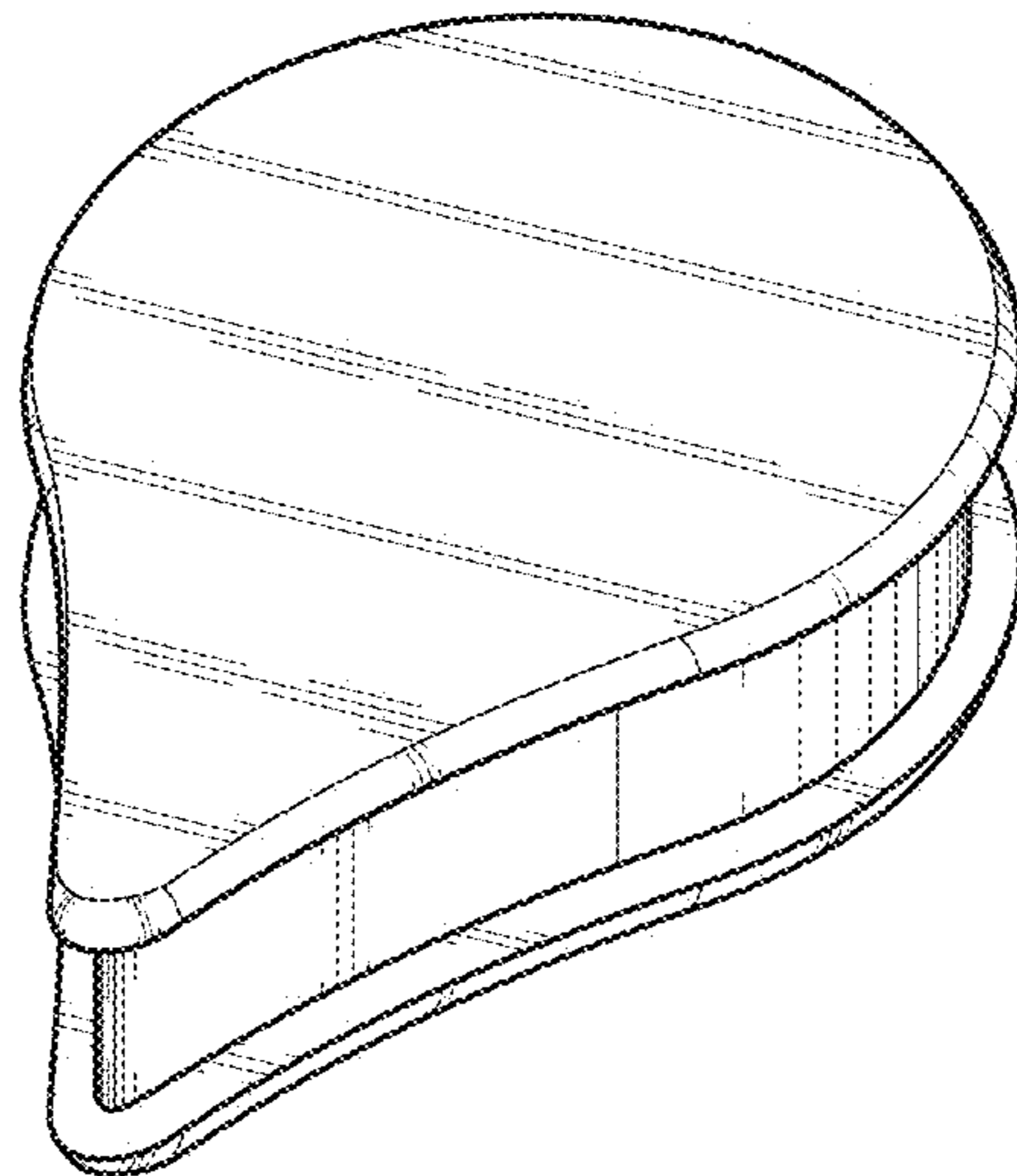


FIG. 1

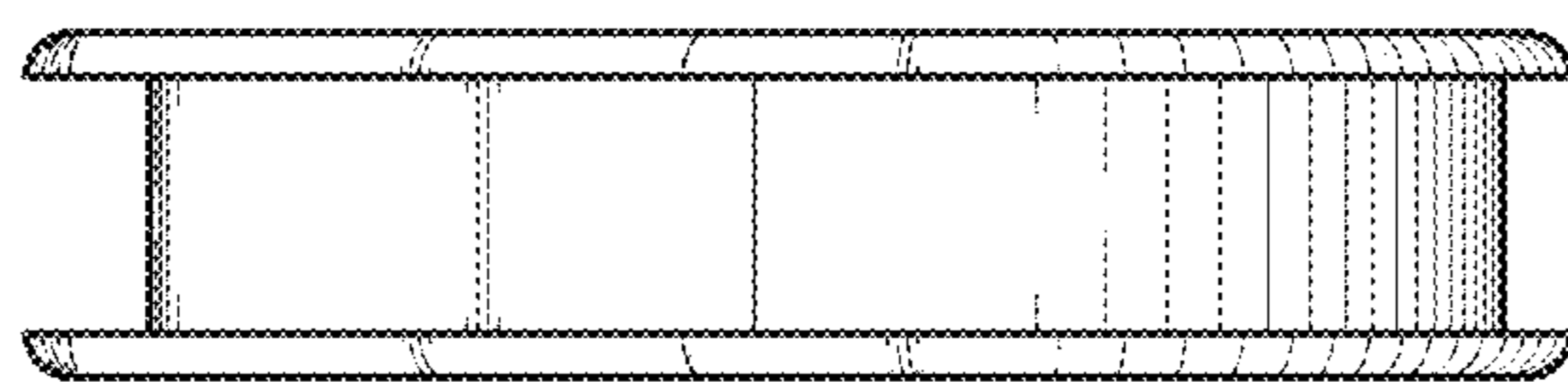


FIG. 2

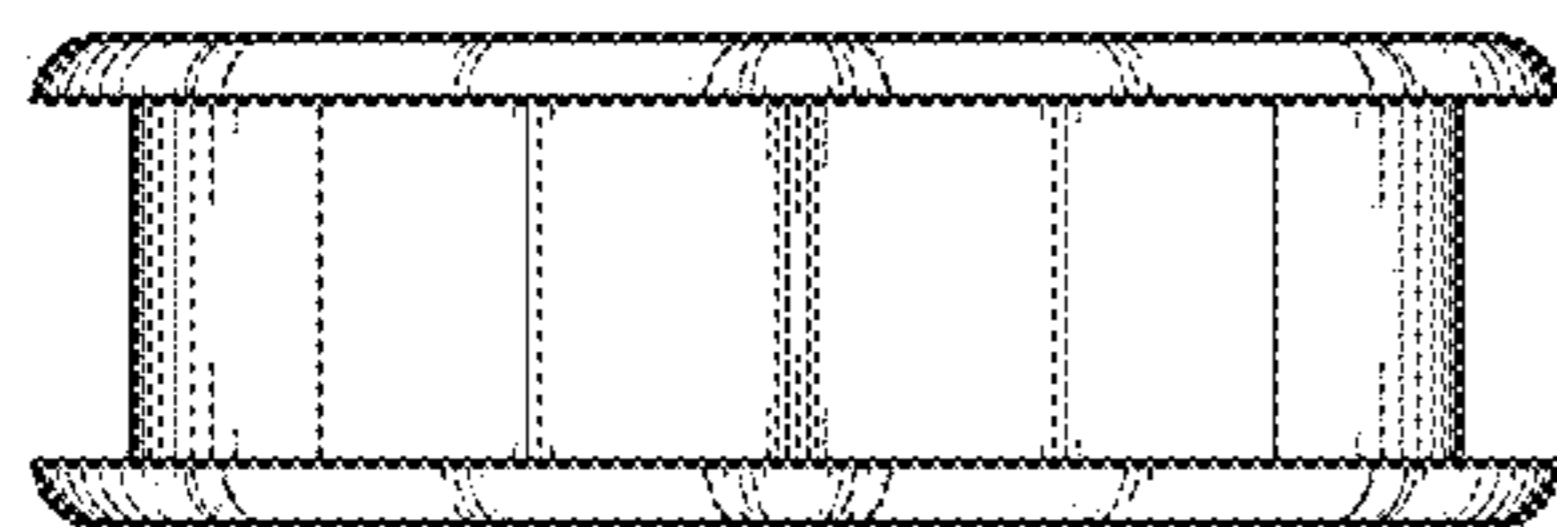


FIG. 3

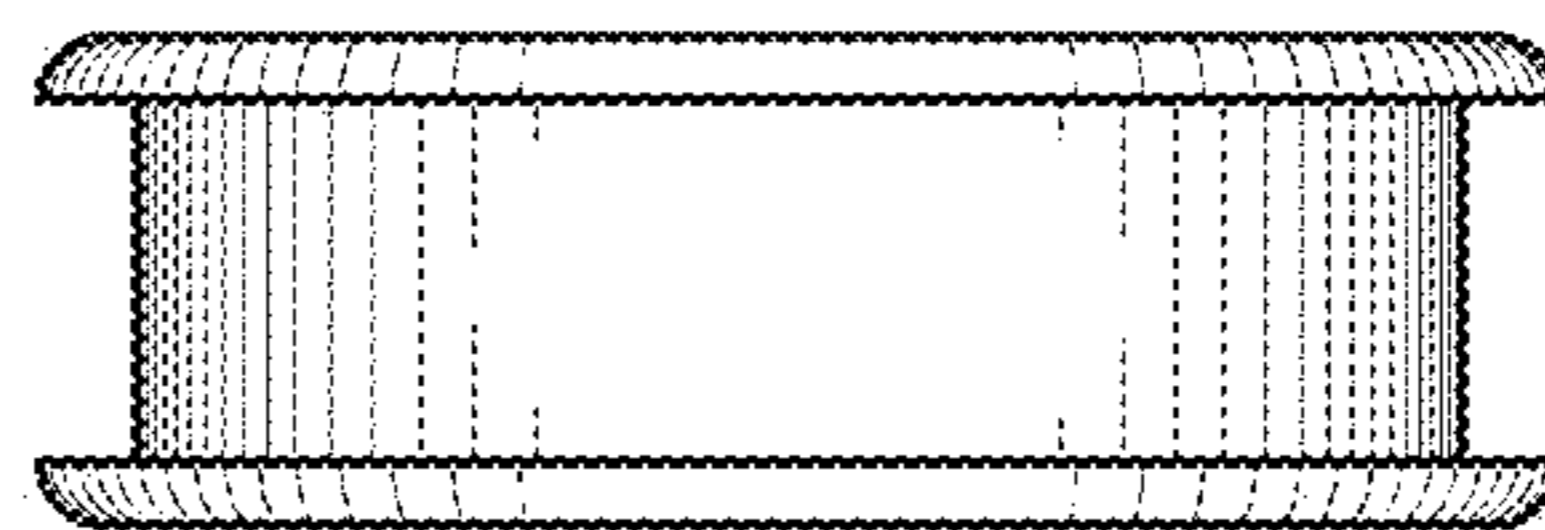


FIG. 4

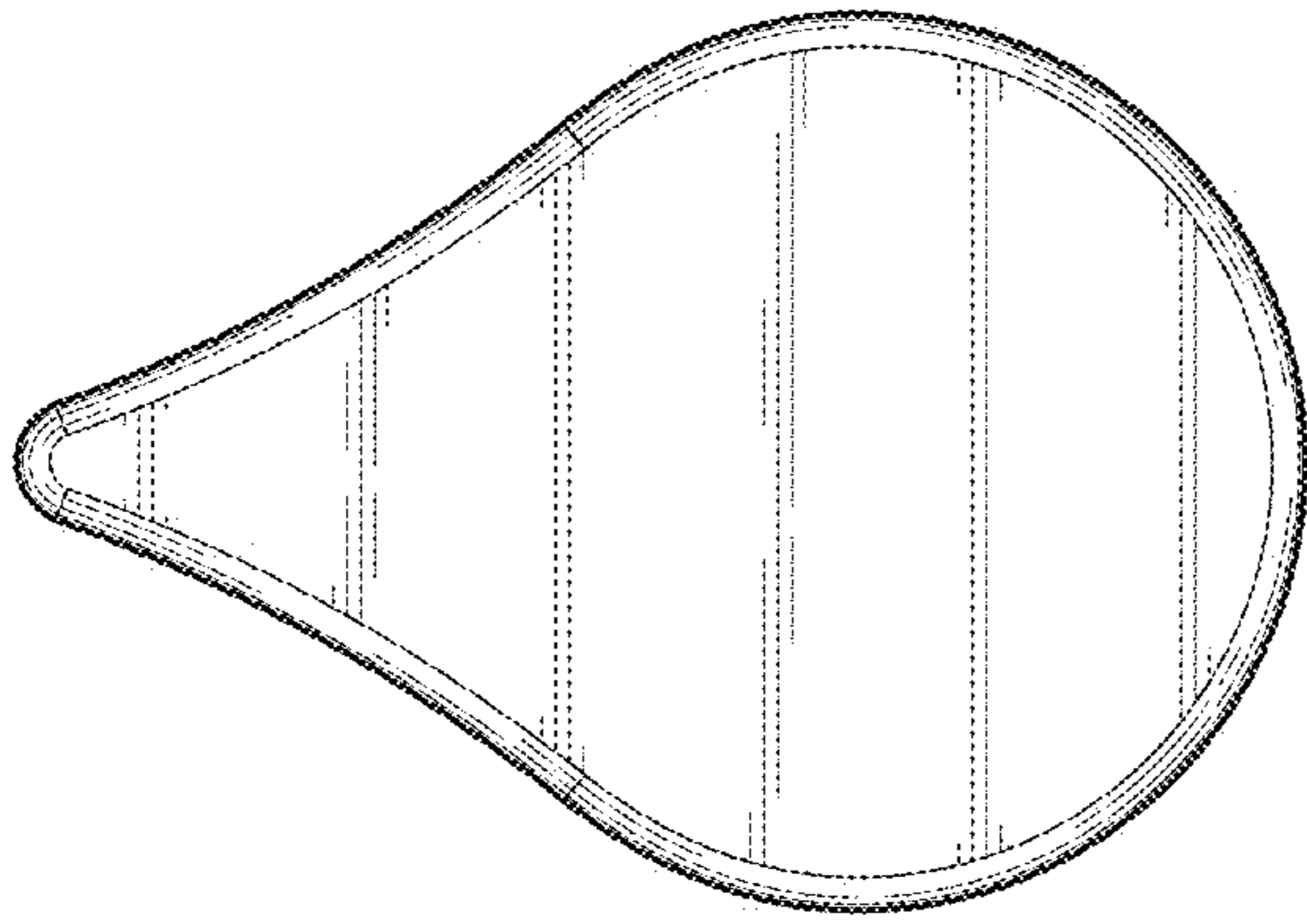


FIG. 5

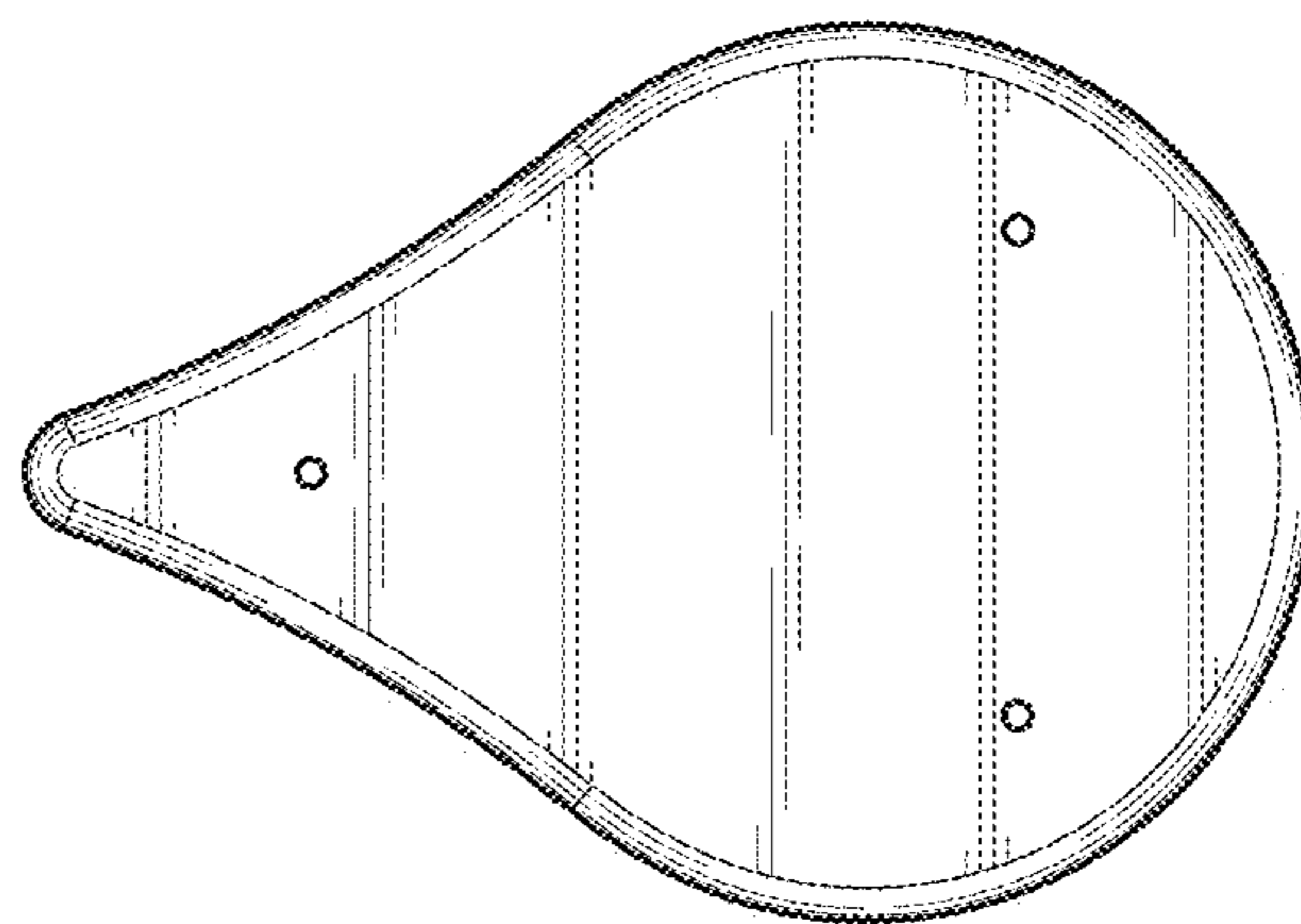


FIG. 6