



US00D713093S

(12) **United States Design Patent**  
**Sun**

(10) **Patent No.:** **US D713,093 S**

(45) **Date of Patent:** **\*\* Sep. 9, 2014**

(54) **LED LIGHT BASE**

(71) Applicant: **Guohua Sun**, Jiangsu (CN)

(72) Inventor: **Guohua Sun**, Jiangsu (CN)

(\*\*) Term: **14 Years**

(21) Appl. No.: **29/464,866**

(22) Filed: **Aug. 21, 2013**

(51) **LOC (10) Cl.** ..... **26-99**

(52) **U.S. Cl.**  
USPC ..... **D26/142**

(58) **Field of Classification Search**  
CPC ..... F21K 9/10; F21K 9/13; F21K 9/1355;  
F21K 9/175; F21K 9/30; A47B 2220/0075;  
A47B 2220/0077; B60Q 3/04; B60Q 3/042;  
B60Q 3/044  
USPC ..... D26/24, 26, 39, 42, 67, 68, 72, 74, 75,  
D26/79, 96, 113, 115, 118, 138, 140, 141,  
D26/142, 151, 152; D7/302, 304, 509, 558,  
D7/602, 605, 619.1; D14/172, 194, 204,  
D14/221; 362/23.07, 23.09, 23.16, 217.01,  
362/217.02, 217.05, 217.08, 217.09, 227,  
362/249.02, 260, 311.02, 555, 612, 614,  
362/800; 4/615, 617, 618; 381/85, 300

See application file for complete search history.

(56) **References Cited**

U.S. PATENT DOCUMENTS

621,042	A *	3/1899	Davis	.....	4/617
1,884,247	A *	10/1932	Riemenschneider	.....	52/295
D252,832	S *	9/1979	Bowser	.....	D26/85
4,200,906	A *	4/1980	Santilli	.....	362/431
D309,953	S *	8/1990	Chien	.....	D26/67
7,192,167	B1 *	3/2007	Kuo	.....	362/362
D550,893	S *	9/2007	Huang	.....	D26/142
D604,896	S *	11/2009	Chen et al.	.....	D26/142
D622,443	S *	8/2010	Huang	.....	D26/142
D697,046	S *	1/2014	Hanna	.....	D14/204
2005/0055765	A1 *	3/2005	Lagasse	.....	4/615
2013/0176750	A1 *	7/2013	Ray et al.	.....	362/227

\* cited by examiner

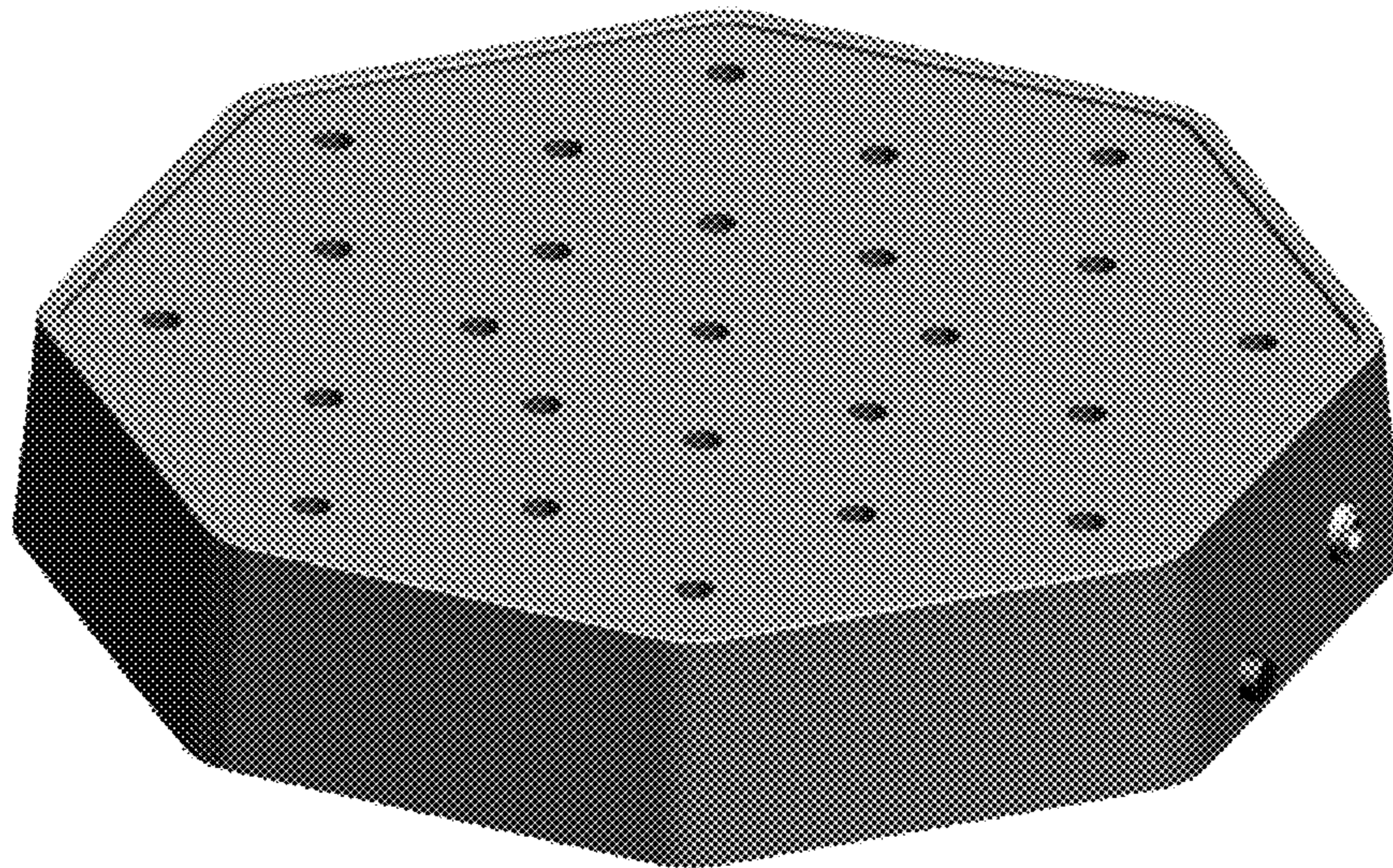
*Primary Examiner* — Caron D Veynar  
*Assistant Examiner* — Natasha Vujcic

(57) **CLAIM**  
The ornamental design for a LED light base, as shown and described.

**DESCRIPTION**

FIG. 1 is a perspective view of a LED light base showing my new design;  
FIG. 2 is a top view of the LED light base shown in FIG. 1;  
FIG. 3 is a bottom view of the LED light base shown in FIG. 1;  
FIG. 4 is a left side view of the LED light base shown in FIG. 1; and,  
FIG. 5 is a right side view of the LED light base shown in FIG. 1.

**1 Claim, 5 Drawing Sheets**



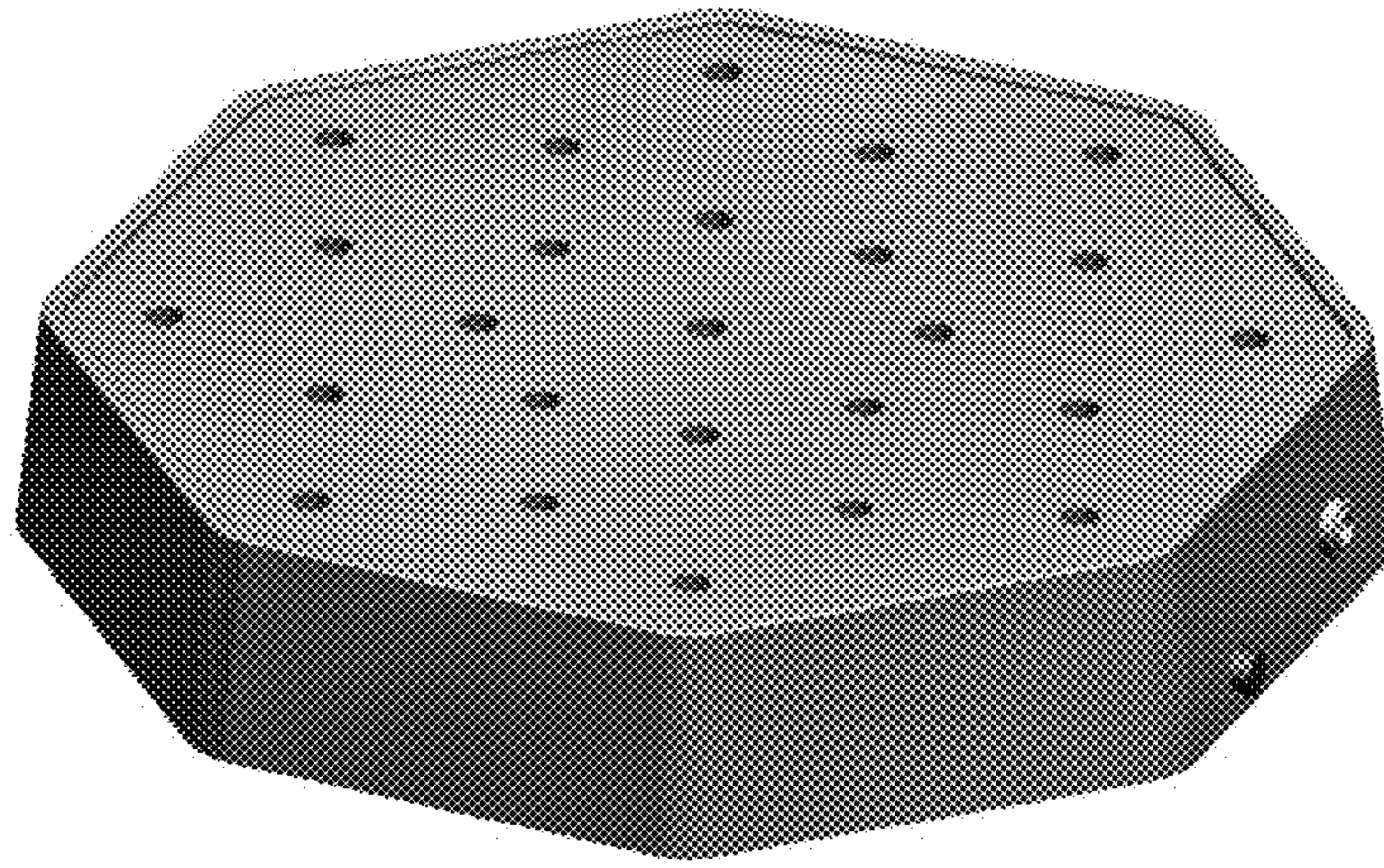


FIG. 1

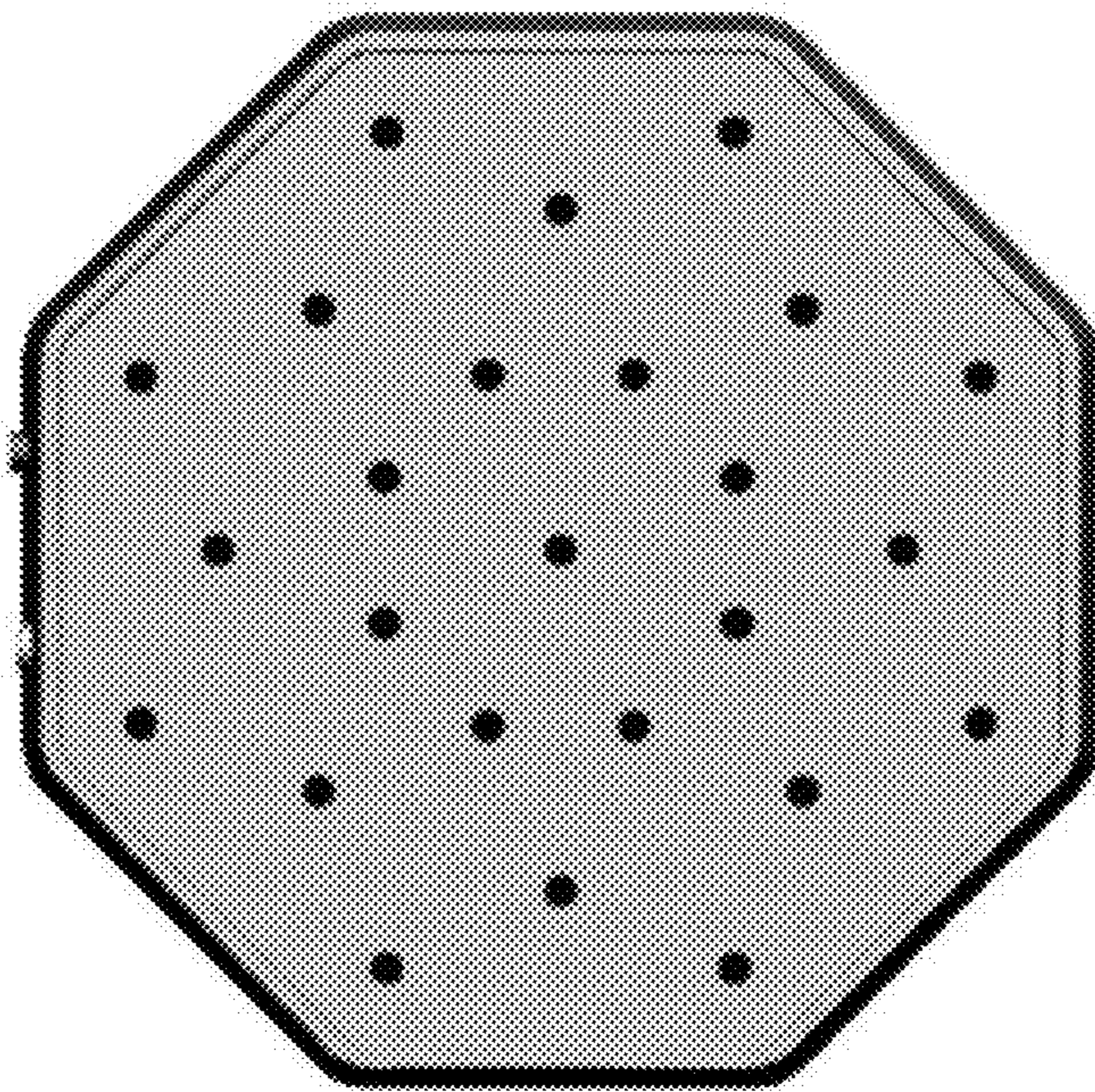


FIG. 2

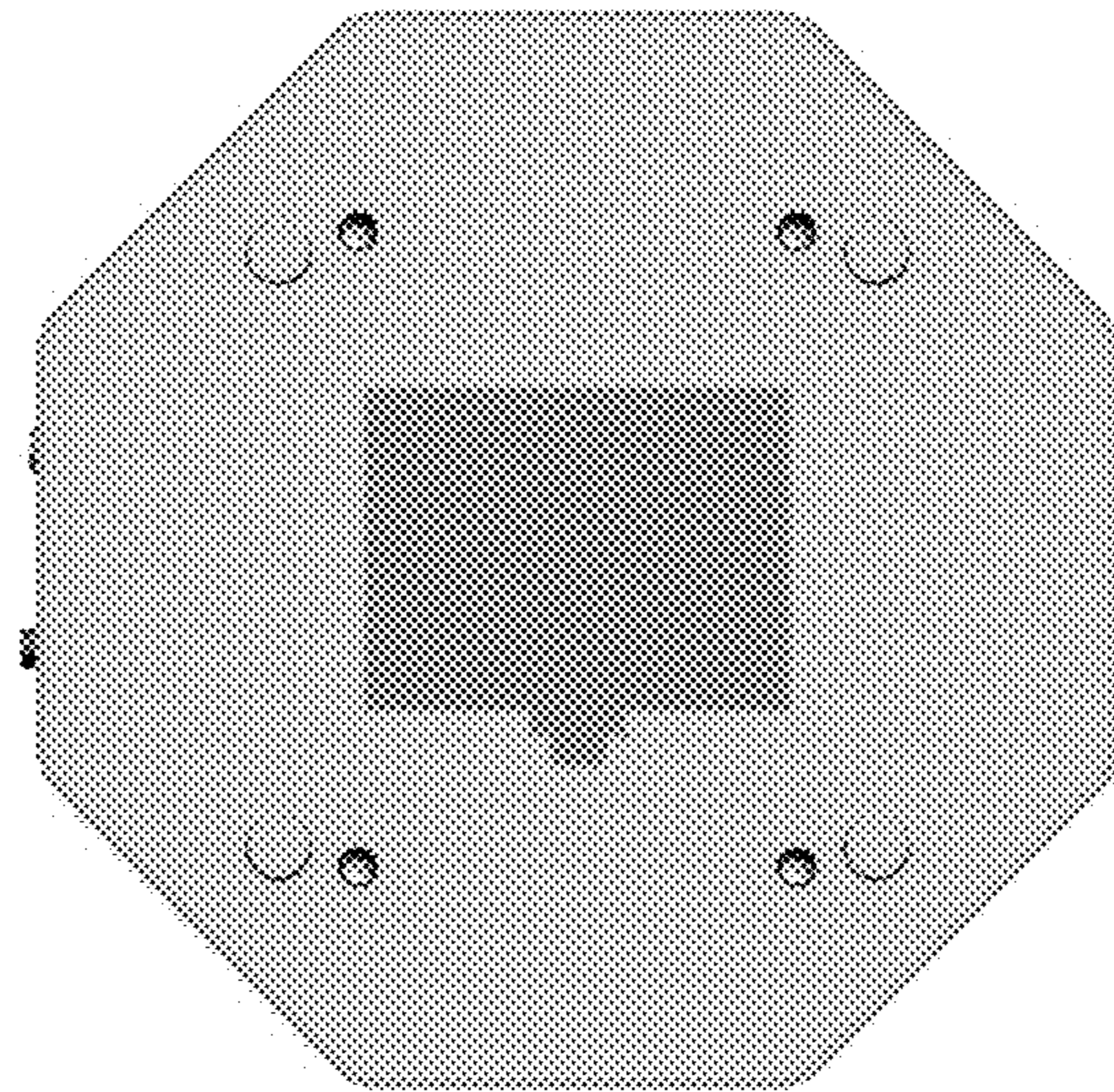


FIG. 3

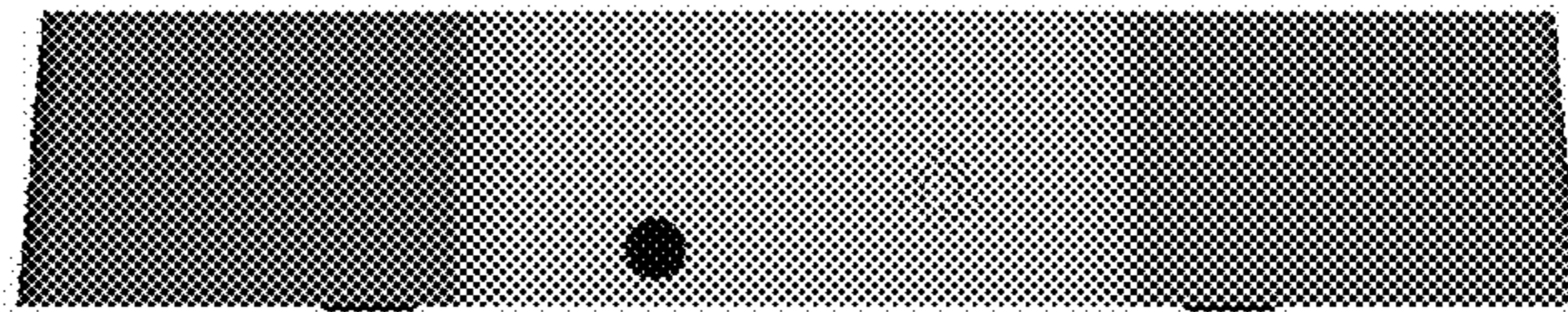
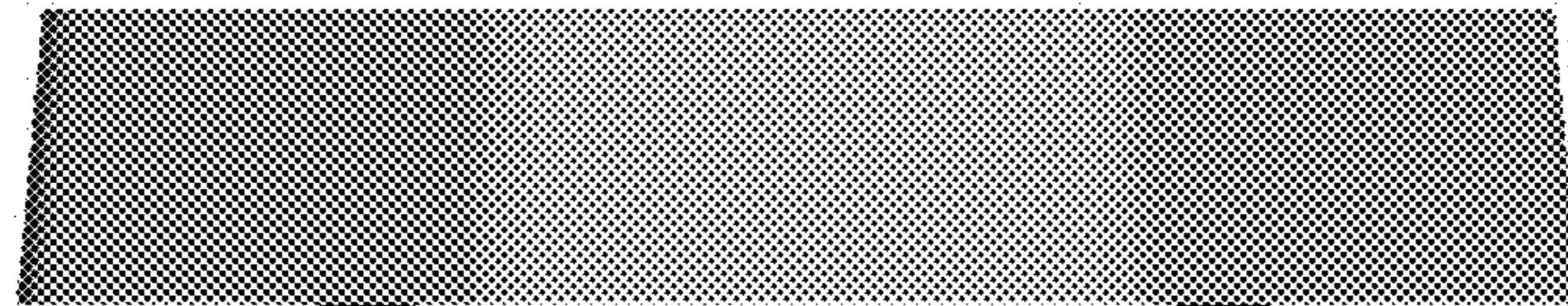


FIG. 4



**FIG. 5**