



US00D713092S

(12) **United States Design Patent**
Smith et al.

(10) **Patent No.:** **US D713,092 S**
(45) **Date of Patent:** **** Sep. 9, 2014**

(54) **OVERHEAD STREET LIGHT**

(71) Applicant: **Evolucia Lighting, Inc.**, Sarasota, FL (US)

(72) Inventors: **Carroll W. Smith**, Weston, FL (US);
Gordon Lardi, Coral Springs, FL (US)

(73) Assignee: **Evolucia Lighting, Inc.**, Sarasota, FL (US)

(**) Term: **14 Years**

(21) Appl. No.: **29/455,230**

(22) Filed: **May 17, 2013**

(51) **LOC (10) Cl.** **26-99**

(52) **U.S. Cl.**
USPC **D26/118**

(58) **Field of Classification Search**
USPC D26/152, 113, 118, 119, 154, 61, 62,
D26/65, 75, 16, 1, 2, 3, 120, 138, 128, 155,
D26/76, 121, 124, 125, 123, 141, 142, 66,
D26/68, 86, 71, 72, 77, 78, 151, 145, 74, 85,
D26/89, 82, 84, 92, 87, 136, 63, 59, 58, 28,
D26/88, 11, 9, 22, 81, 127, 129, 130, 131,
D26/133, 134, 135, 55; D13/179, 180;
362/219, 223, 225, 347, 346, 373, 326,
362/283, 249.02, 362, 374, 375, 408, 327,
362/328, 404, 297, 147, 149, 249.03,
362/249.11; D23/377, 411, 413; D11/89,
D11/90, 96, 157, 160; D99/27, 26
See application file for complete search history.

(56) **References Cited**

U.S. PATENT DOCUMENTS

D424,228 S * 5/2000 Grossman D26/71
6,779,910 B1 * 8/2004 Pelton 362/364

D545,457 S * 6/2007 Chen D26/2
D545,988 S * 7/2007 Goetz-Schaefer D26/74
D616,592 S * 5/2010 Chen D26/71
7,758,211 B2 * 7/2010 Zheng et al. 362/249.02
D624,686 S * 9/2010 Toney et al. D26/72
D627,911 S * 11/2010 Mo et al. D26/72
D634,875 S * 3/2011 Jiang et al. D26/71
D645,604 S * 9/2011 Kauffman et al. D26/118
D648,885 S * 11/2011 Toratani D26/71
D650,513 S * 12/2011 Blincoe et al. D26/118
D672,492 S * 12/2012 Butler et al. D26/71
D687,585 S * 8/2013 Kim et al. D26/72
D688,405 S * 8/2013 Kim et al. D26/72
D690,454 S * 9/2013 Yu D26/92
2007/0247853 A1 * 10/2007 Dorogi 362/294
2009/0213588 A1 * 8/2009 Manes 362/235

(Continued)

Primary Examiner — Kevin Rudzinski

(74) *Attorney, Agent, or Firm* — Holland & Hart LLP

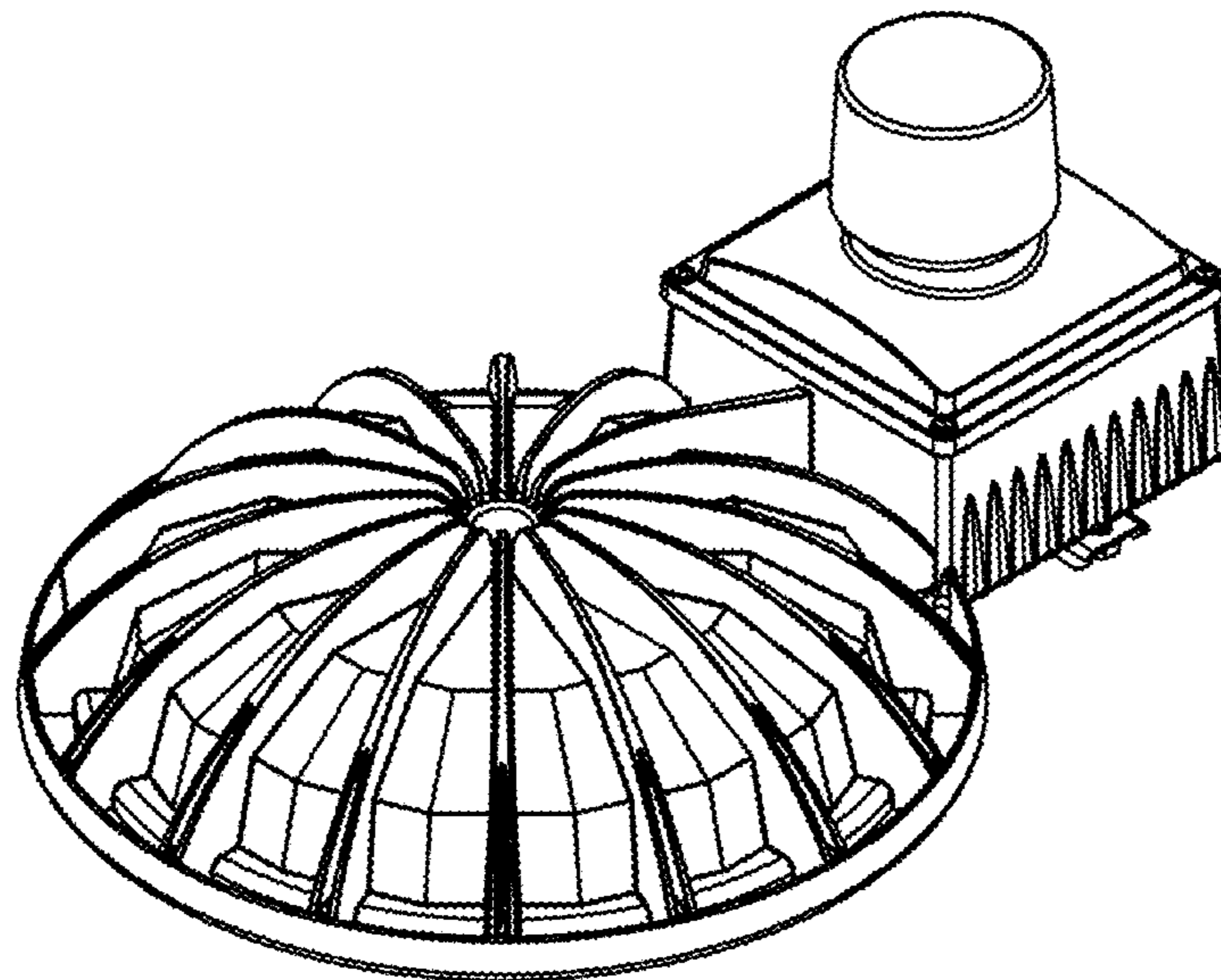
(57) **CLAIM**

The ornamental design for an overhead street light, as shown and described.

DESCRIPTION

FIG. 1 is a top and front perspective view of the overhead street light, showing our new design;
FIG. 2 is a front elevation view of the design illustrated in FIG. 1;
FIG. 3 is a left side elevation view of the design illustrated in FIG. 1;
FIG. 4 is a right side elevation view of the design illustrated in FIG. 1;
FIG. 5 is a top view of the design illustrated in FIG. 1; and
FIG. 6 is a bottom view of the design illustrated in FIG. 1.
The broken lines shown in FIG. 6 illustrate portions of the overhead street light that form no part of the claimed design.

1 Claim, 6 Drawing Sheets



US D713,092 S

Page 2

(56)

References Cited

U.S. PATENT DOCUMENTS

2009/0251898	A1*	10/2009	Kinnune et al.	362/249.02	
2010/0027269	A1*	2/2010	Lo et al.	362/294	
2011/0194281	A1*	8/2011	Josefowicz et al.	362/235	
2009/0237930	A1*	9/2009	Li	362/235	
2009/0237934	A1*	9/2009	Zeng et al.	362/249.03	* cited by examiner

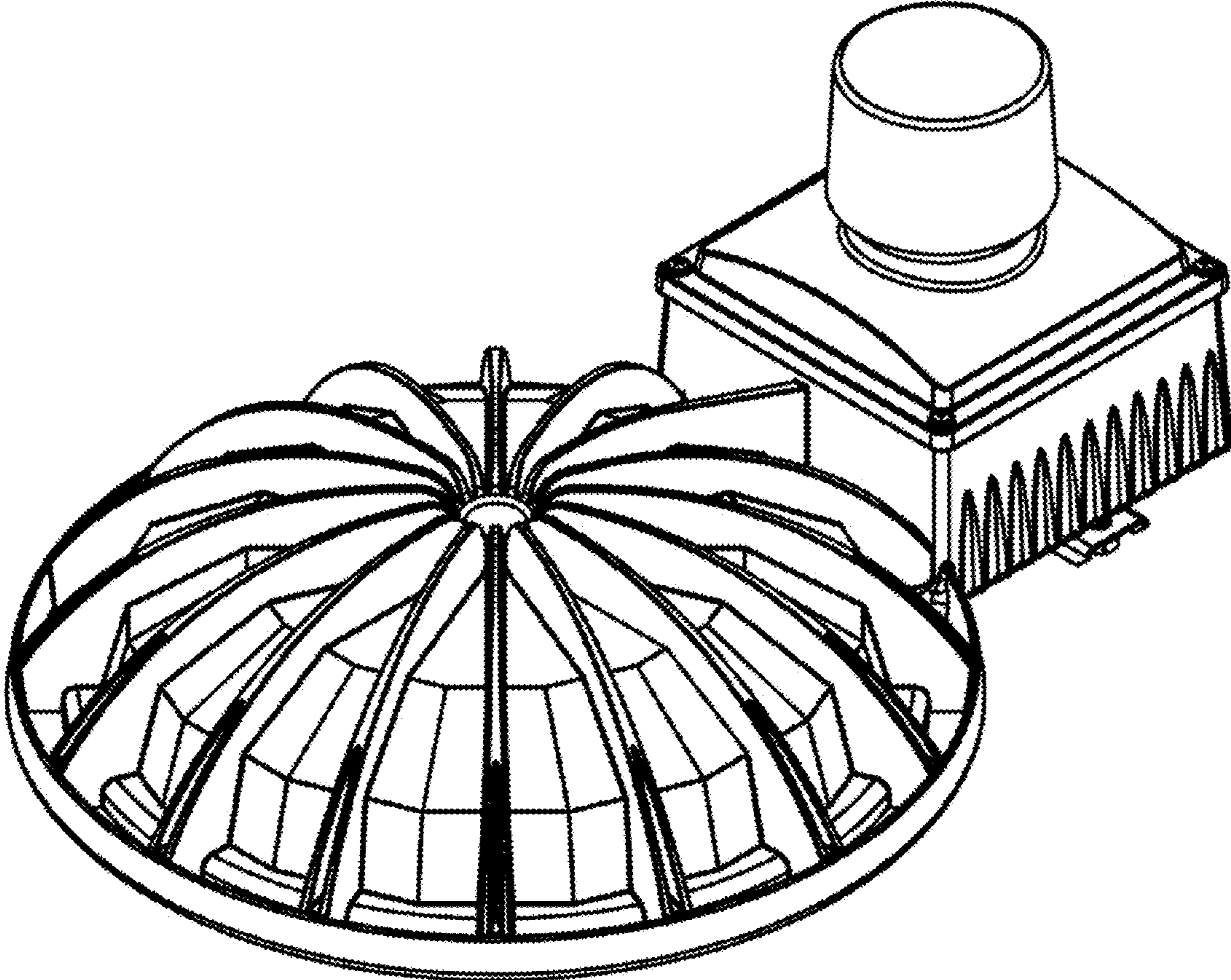


FIG. 1

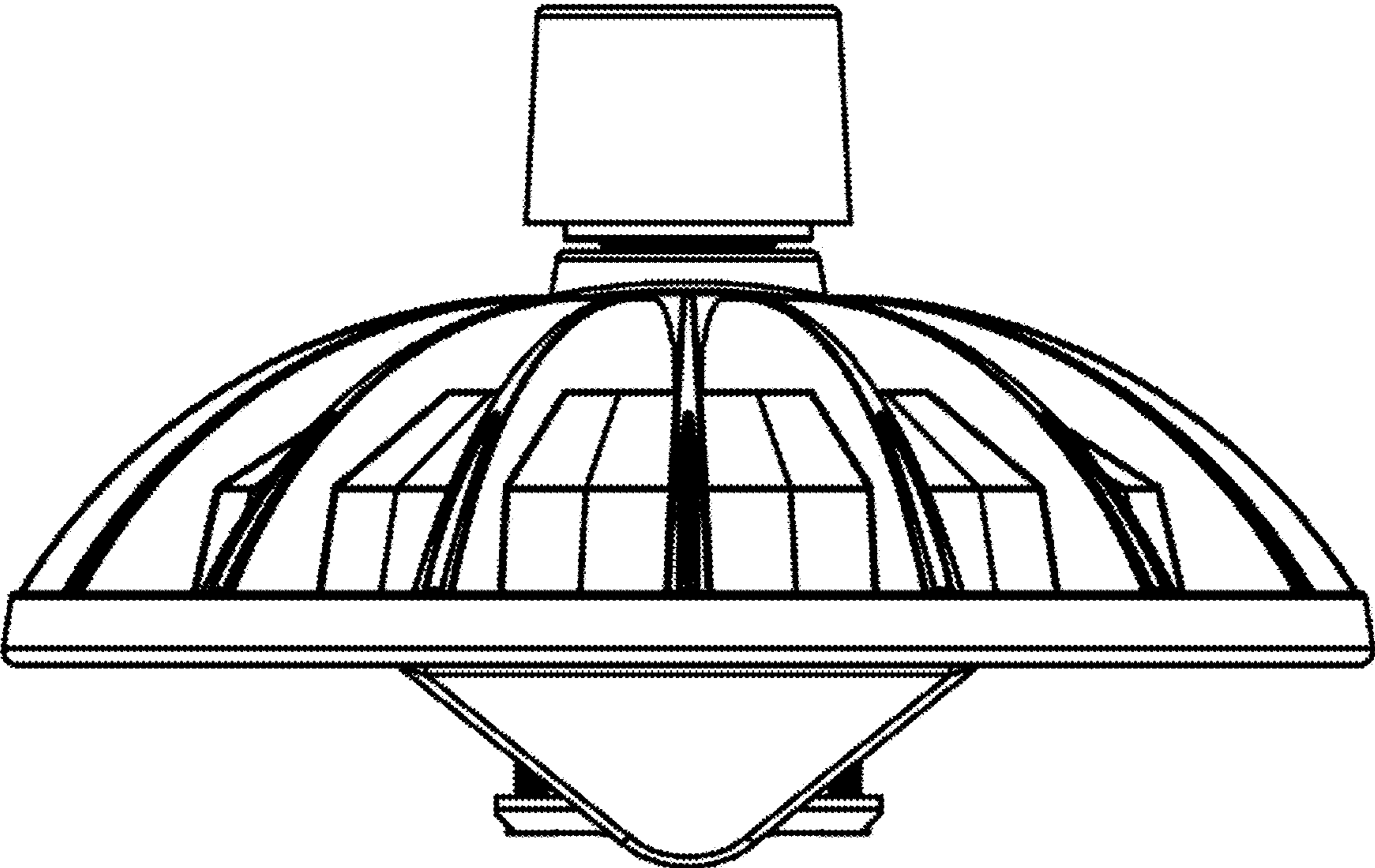


FIG. 2

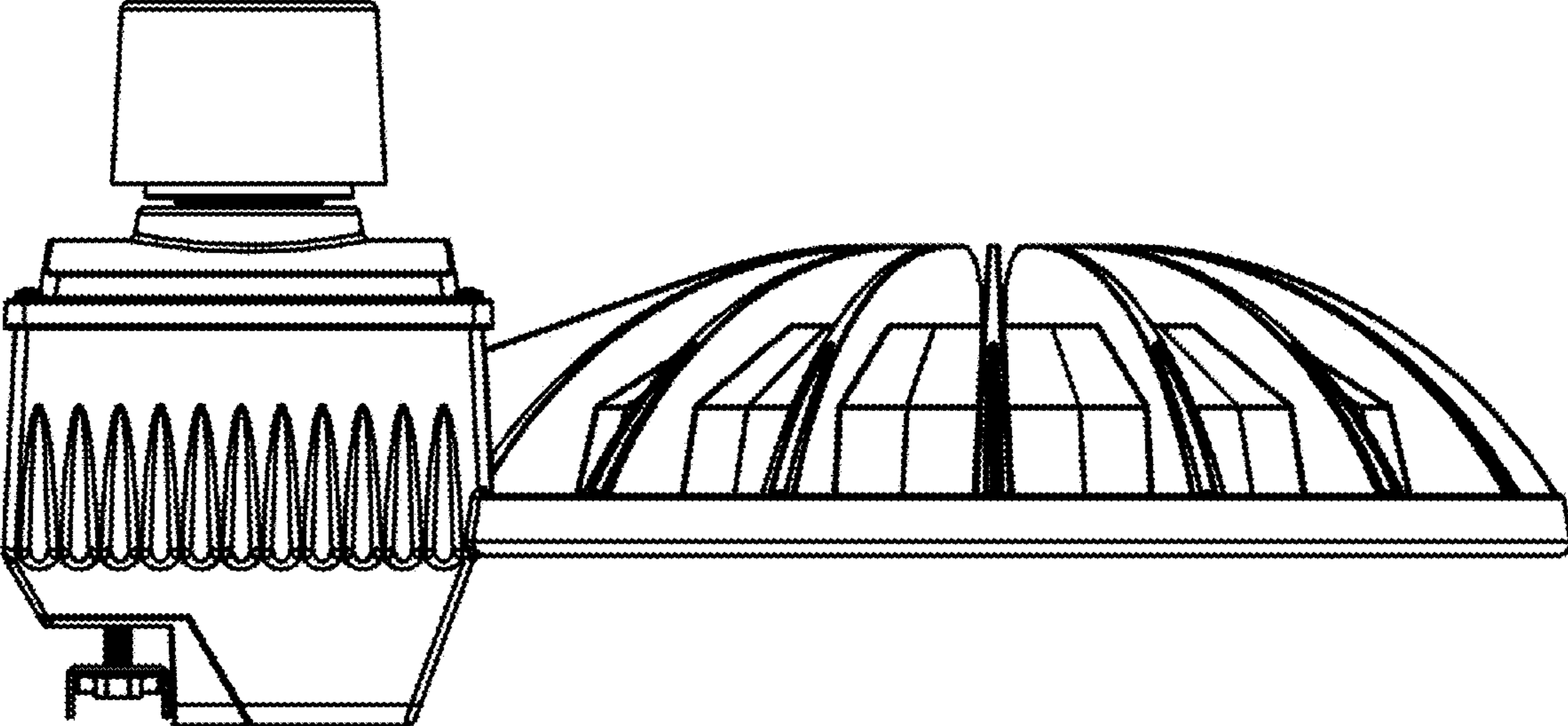


FIG. 3

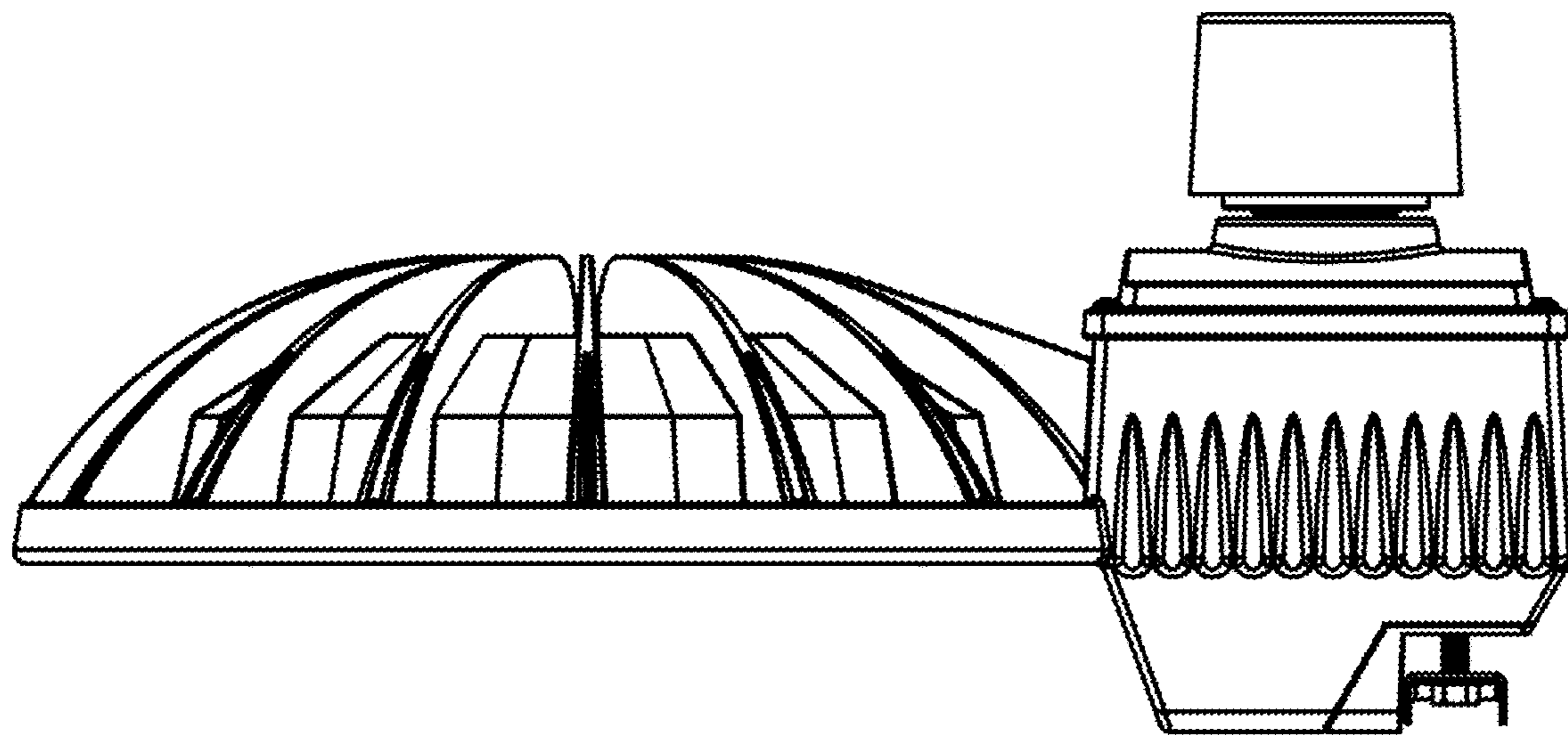


FIG. 4

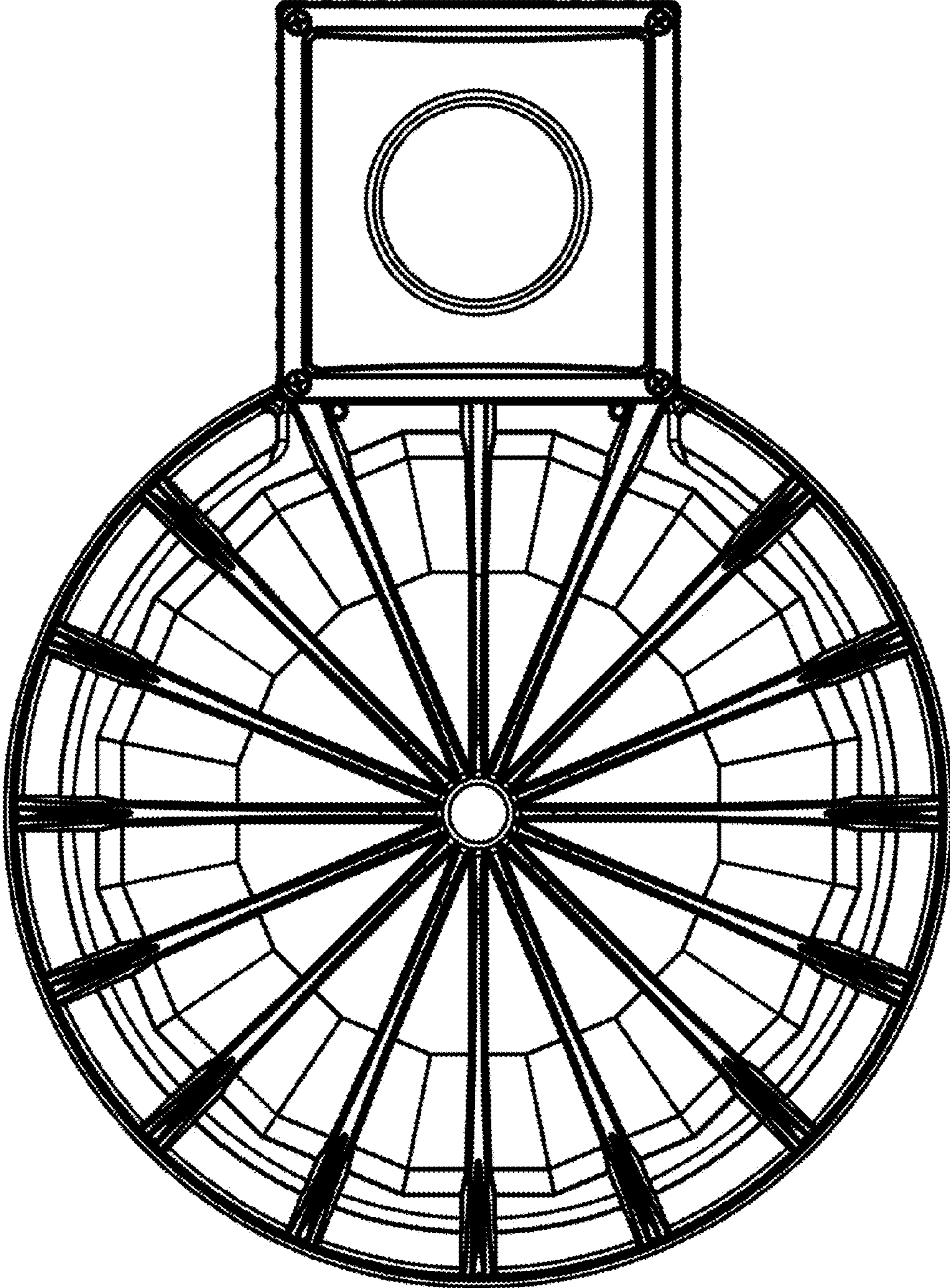


FIG. 5

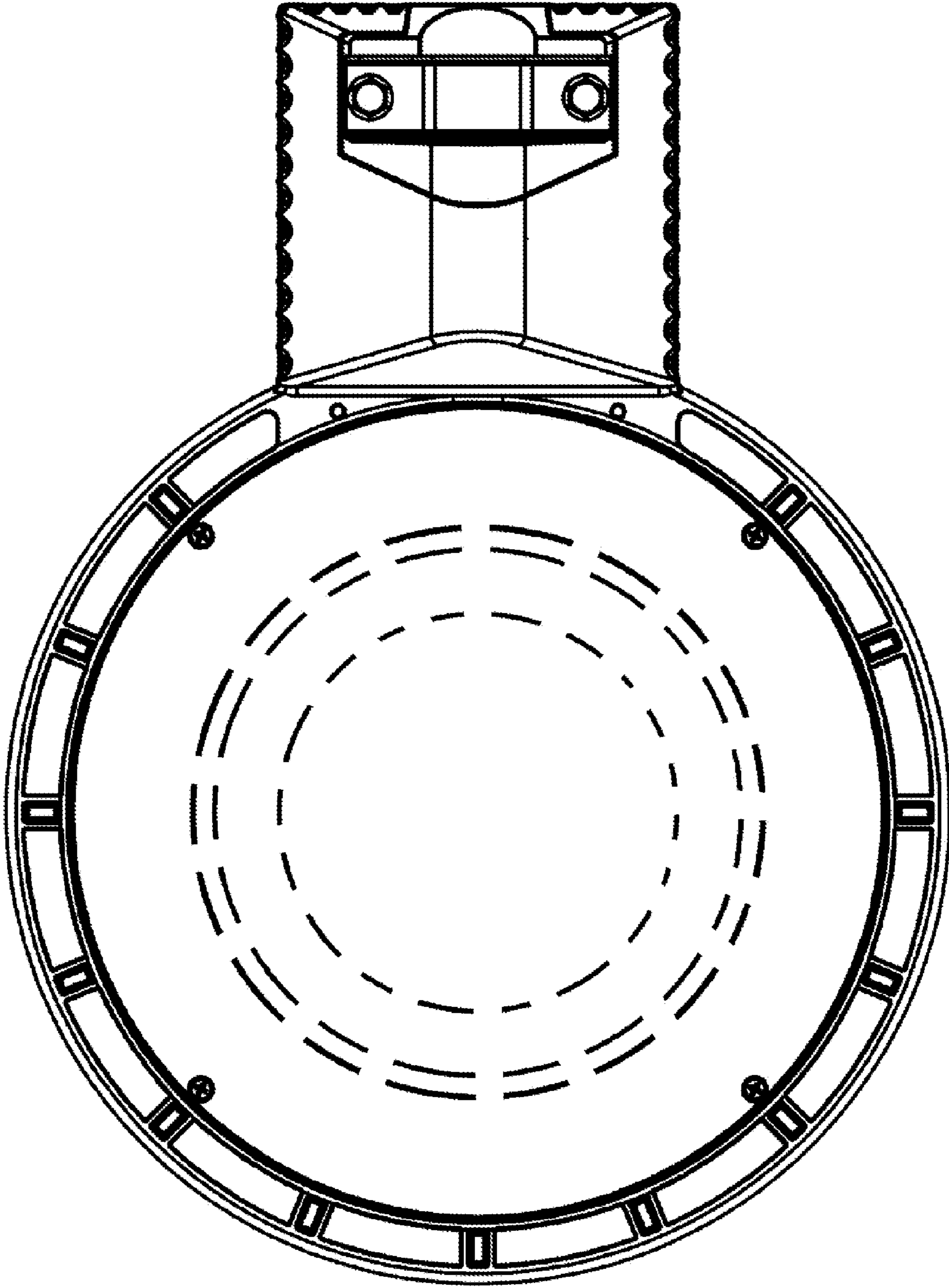


FIG. 6