



US00D713091S

(12) **United States Design Patent**  
**Guercio et al.**

(10) **Patent No.:** **US D713,091 S**

(45) **Date of Patent:** **\*\* Sep. 9, 2014**

- (54) **OUTDOOR LED LIGHT FIXTURE**
- (71) Applicant: **RAB Lighting Inc.**, Northvale, NJ (US)
- (72) Inventors: **Vincenzo Guercio**, Wallkill, NY (US);  
**James Lau**, New York, NY (US); **Dan Wang-Munson**, Bergenfield, NJ (US)
- (73) Assignee: **RAB Lighting Inc.**, Northvale, NJ (US)

D385,643 S *	10/1997	Brohard et al.	.....	D26/71
D388,212 S	12/1997	Brohard et al.		
D389,939 S	1/1998	Leen		
D400,280 S *	10/1998	Leen	.....	D26/71
D400,998 S *	11/1998	Leen	.....	D26/71
D407,843 S *	4/1999	Leen	.....	D26/71
D424,228 S *	5/2000	Grossman	.....	D26/71
D424,229 S *	5/2000	Leen	.....	D26/71
D428,180 S *	7/2000	Orellana et al.	.....	D26/67
D580,085 S *	11/2008	Svensson	.....	D26/71

(\*\*) Term: **14 Years**

(21) Appl. No.: **29/471,248**

(22) Filed: **Oct. 30, 2013**

(51) **LOC (10) Cl.** ..... **26-03**

(52) **U.S. Cl.**  
USPC ..... **D26/92**

(58) **Field of Classification Search**  
USPC ..... D26/69-72, 87, 92, 118;  
362/249.01-249.06, 294, 373, 431,  
362/432

See application file for complete search history.

(56) **References Cited**

**U.S. PATENT DOCUMENTS**

D195,991 S *	8/1963	Pettengill	.....	D26/71
D200,343 S *	2/1965	Izzi	.....	D26/71
D233,852 S *	12/1974	Czellath et al.	.....	D26/71
D239,861 S	5/1976	Steenhoven		
D294,066 S *	2/1988	Ewing et al.	.....	D26/71
D294,523 S *	3/1988	Ewing et al.	.....	D26/71
D294,646 S *	3/1988	Ewing et al.	.....	D26/71
D294,647 S *	3/1988	Ewing et al.	.....	D26/71
D295,792 S *	5/1988	Ewing et al.	.....	D26/71
D313,483 S *	1/1991	Blake	.....	D26/71

\* cited by examiner

*Primary Examiner* — Clare E Heflin

(74) *Attorney, Agent, or Firm* — SmithAmundsen LLC;  
Kelly J. Smith; Dennis S. Schell

(57) **CLAIM**

The ornamental design for an outdoor LED light fixture, as shown and described.

**DESCRIPTION**

FIG. 1 is a bottom perspective view of an embodiment of the new design;

FIG. 2 is a top perspective view of the embodiment of FIG. 1;

FIG. 3 is a left side view of the embodiment of FIG. 1;

FIG. 4 is a front view of the embodiment of FIG. 1;

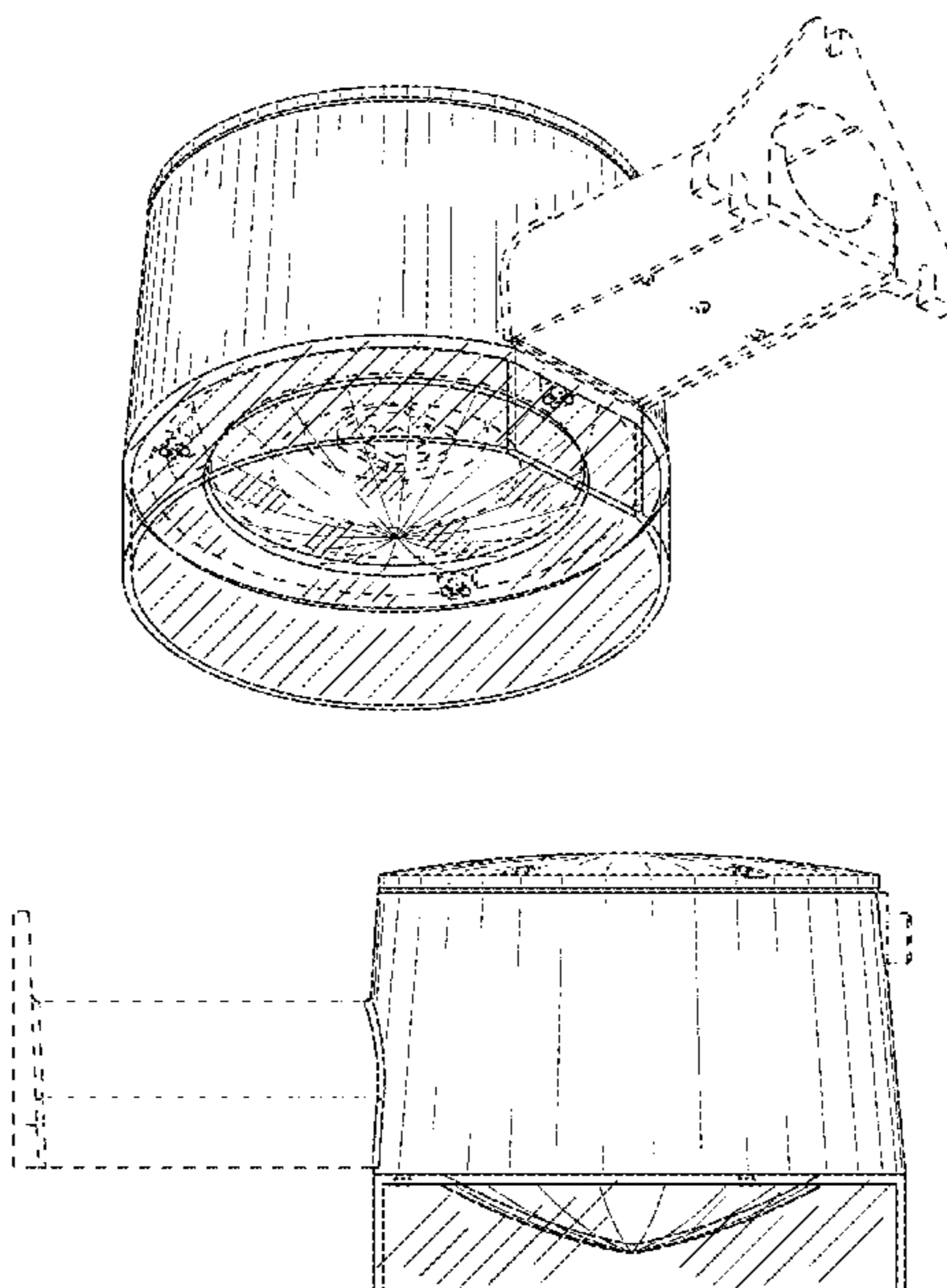
FIG. 5 is a rear view of the embodiment of FIG. 1;

FIG. 6 is a top view of the embodiment of FIG. 1; and,

FIG. 7 is a bottom view of the embodiment of FIG. 1.

The broken lines shown in the drawings are for the purpose of illustrating portions of the article that form no part of the claimed design. The right side view is a mirror image of the left side view and is therefore omitted.

**1 Claim, 7 Drawing Sheets**



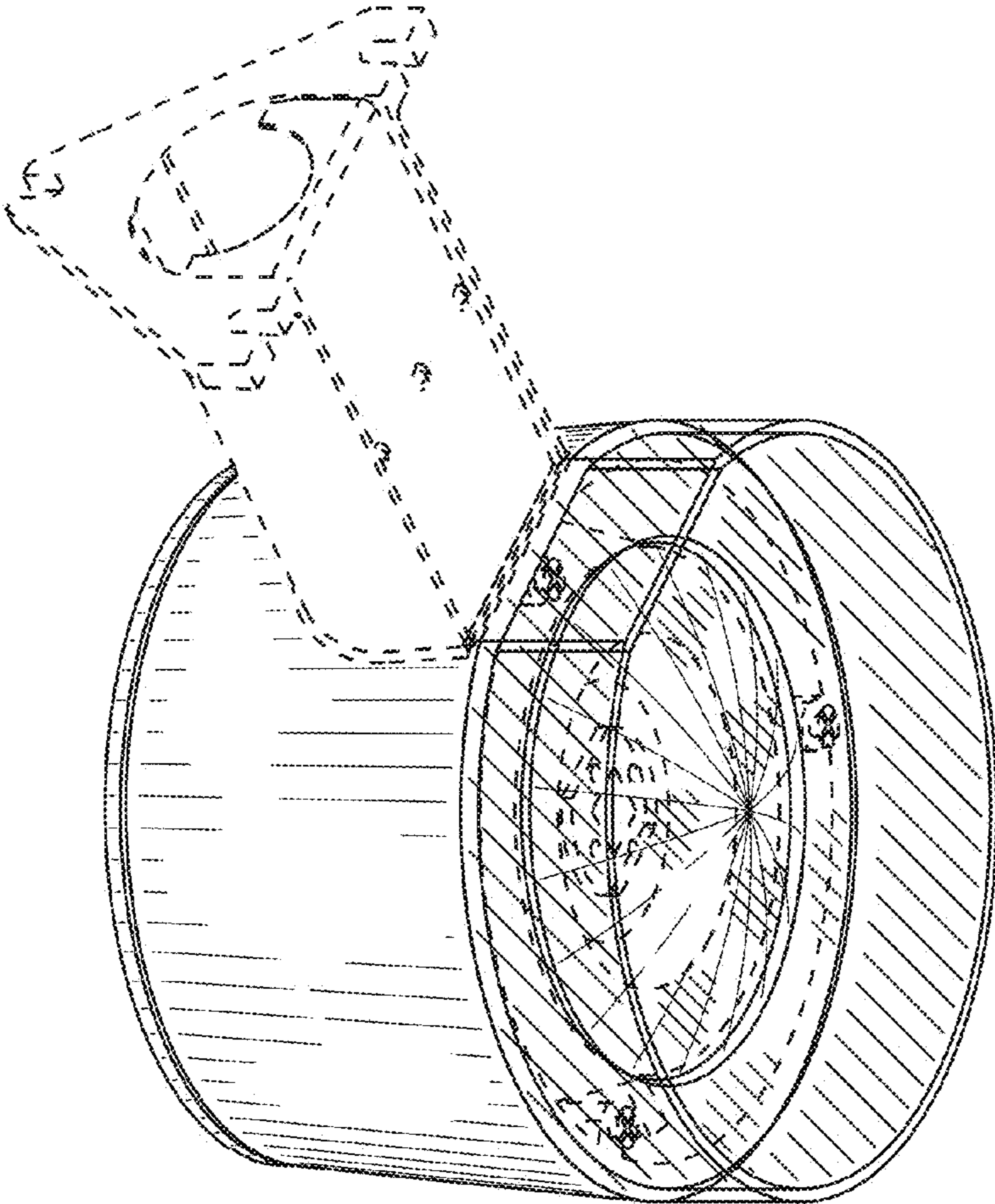


Fig. 1

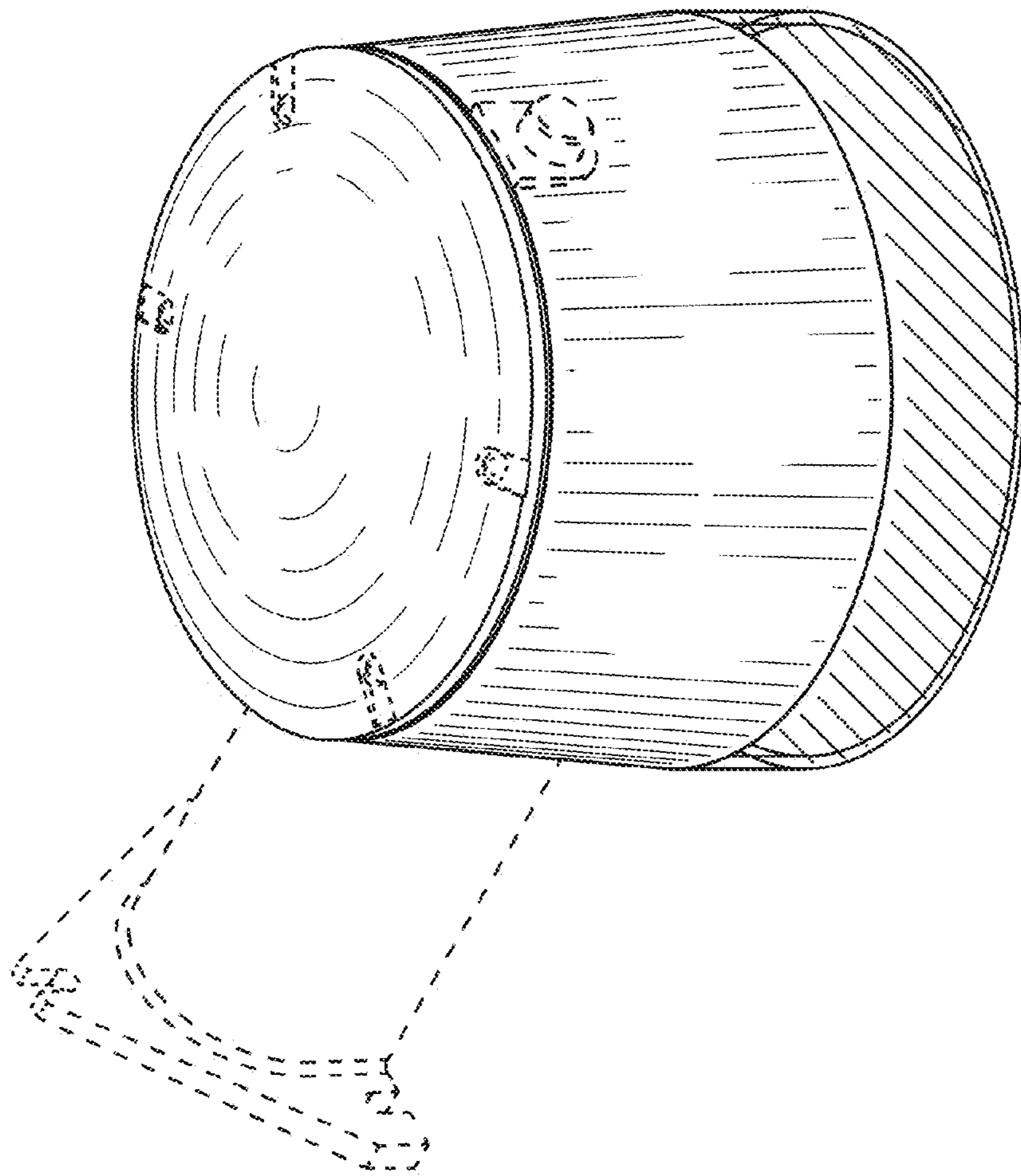


Fig. 2

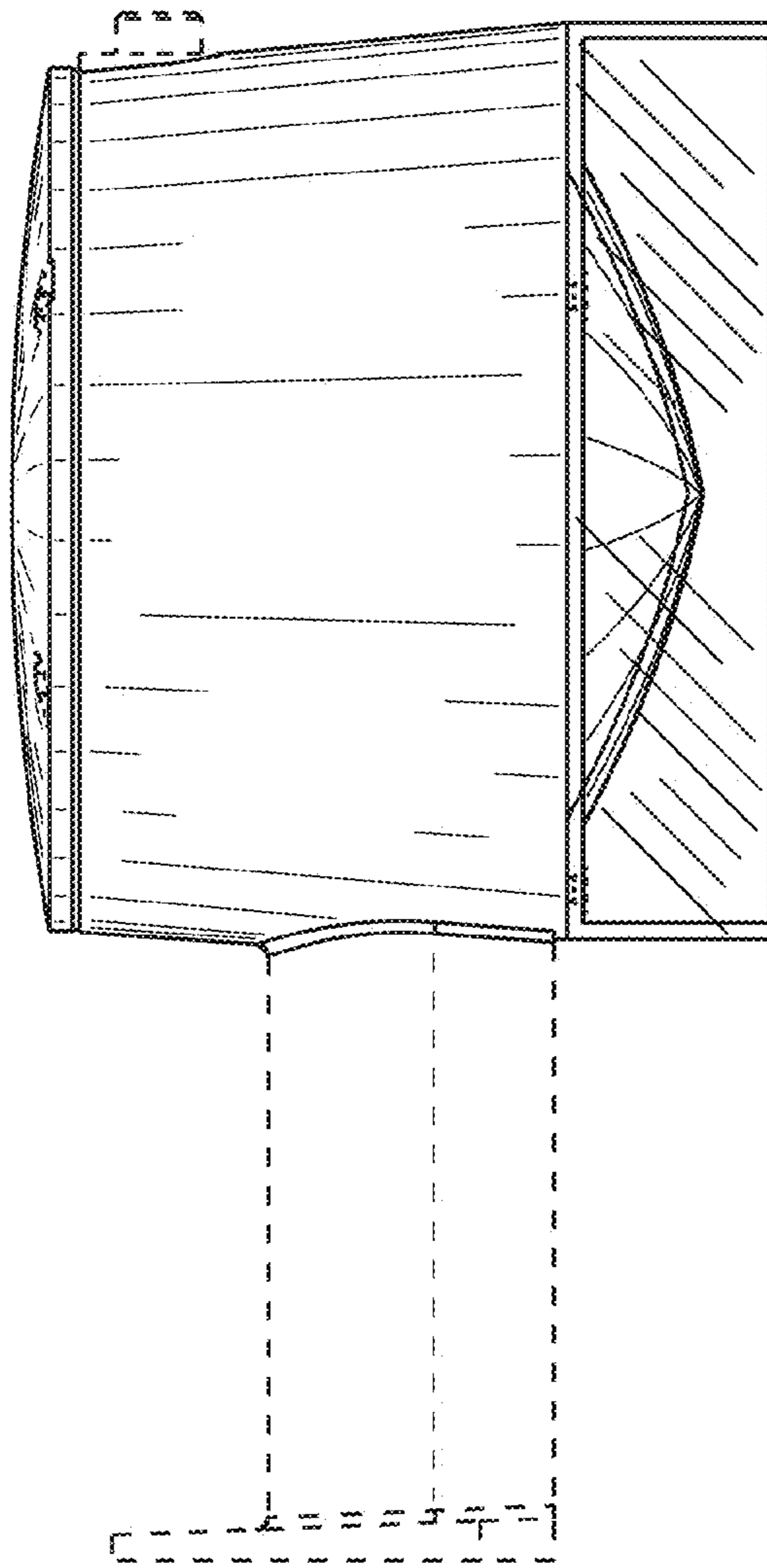
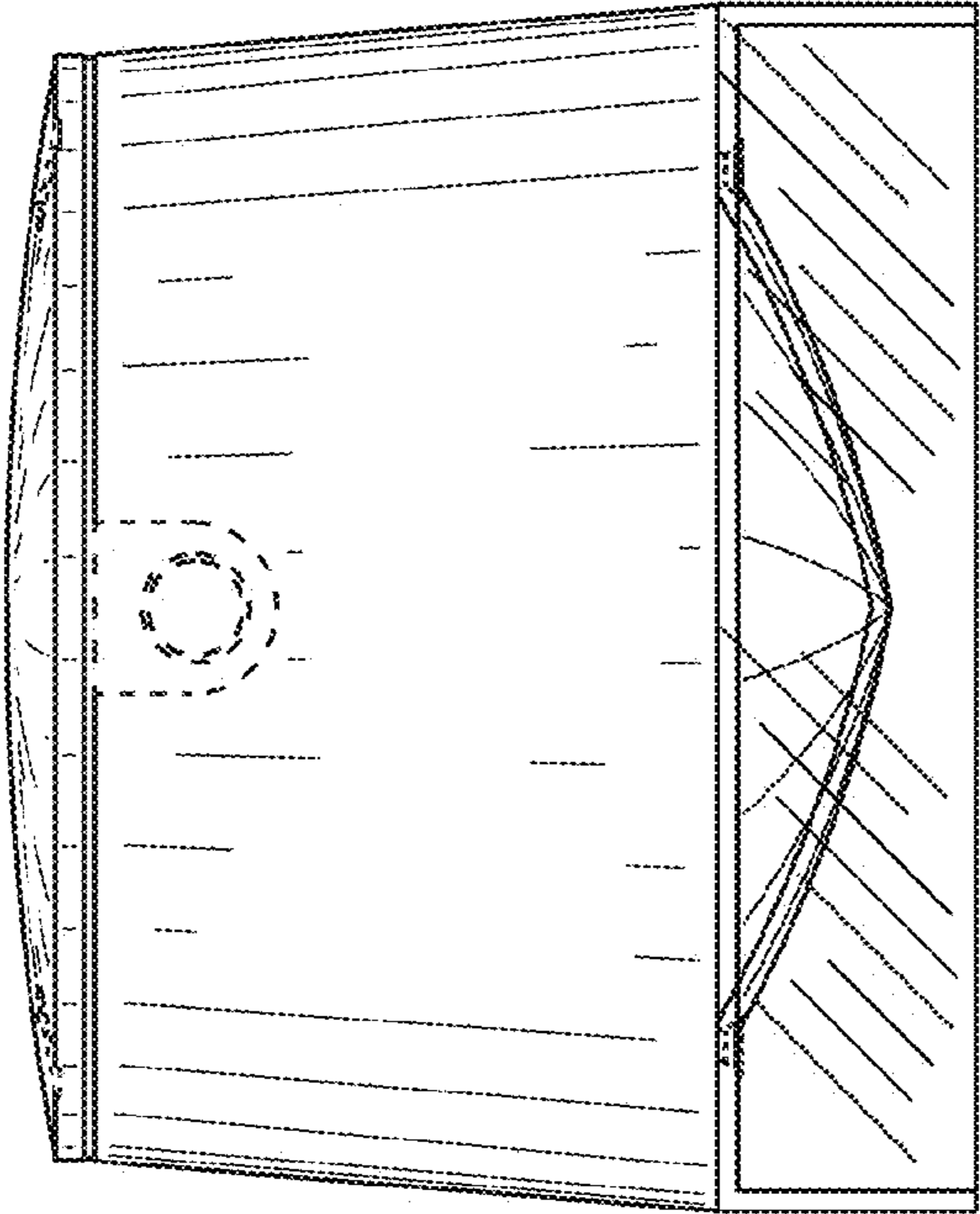


Fig. 3



**Fig. 4**

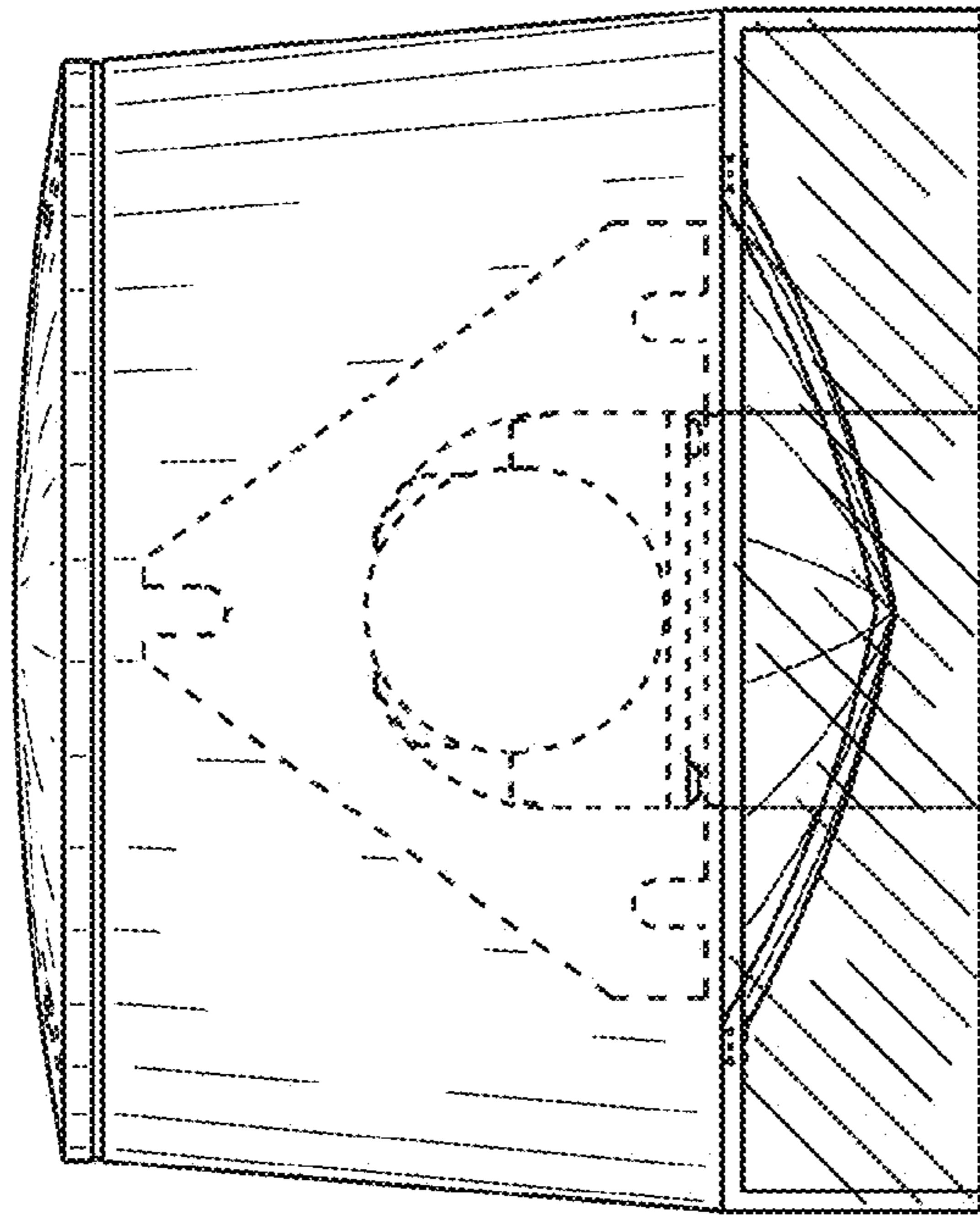
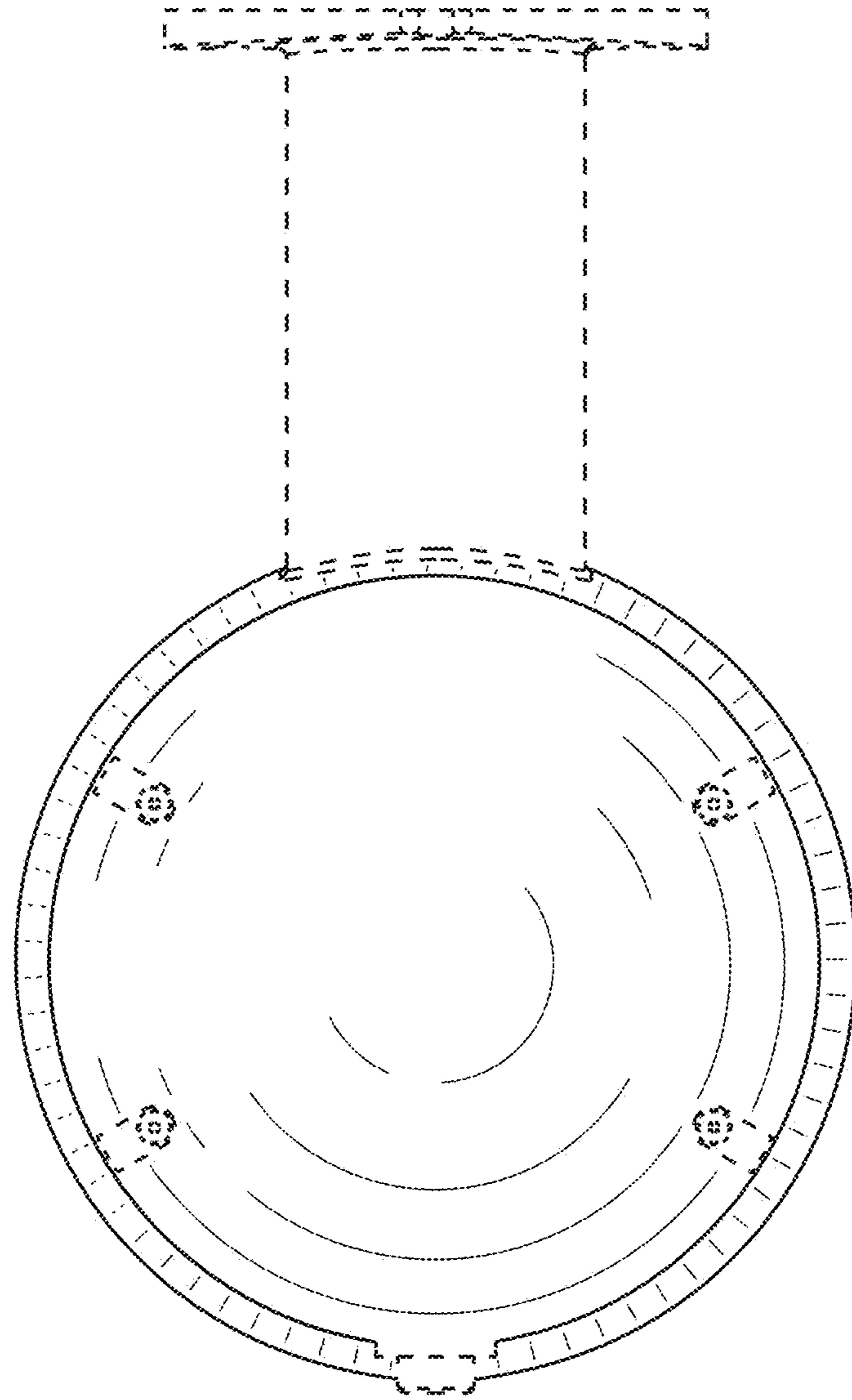
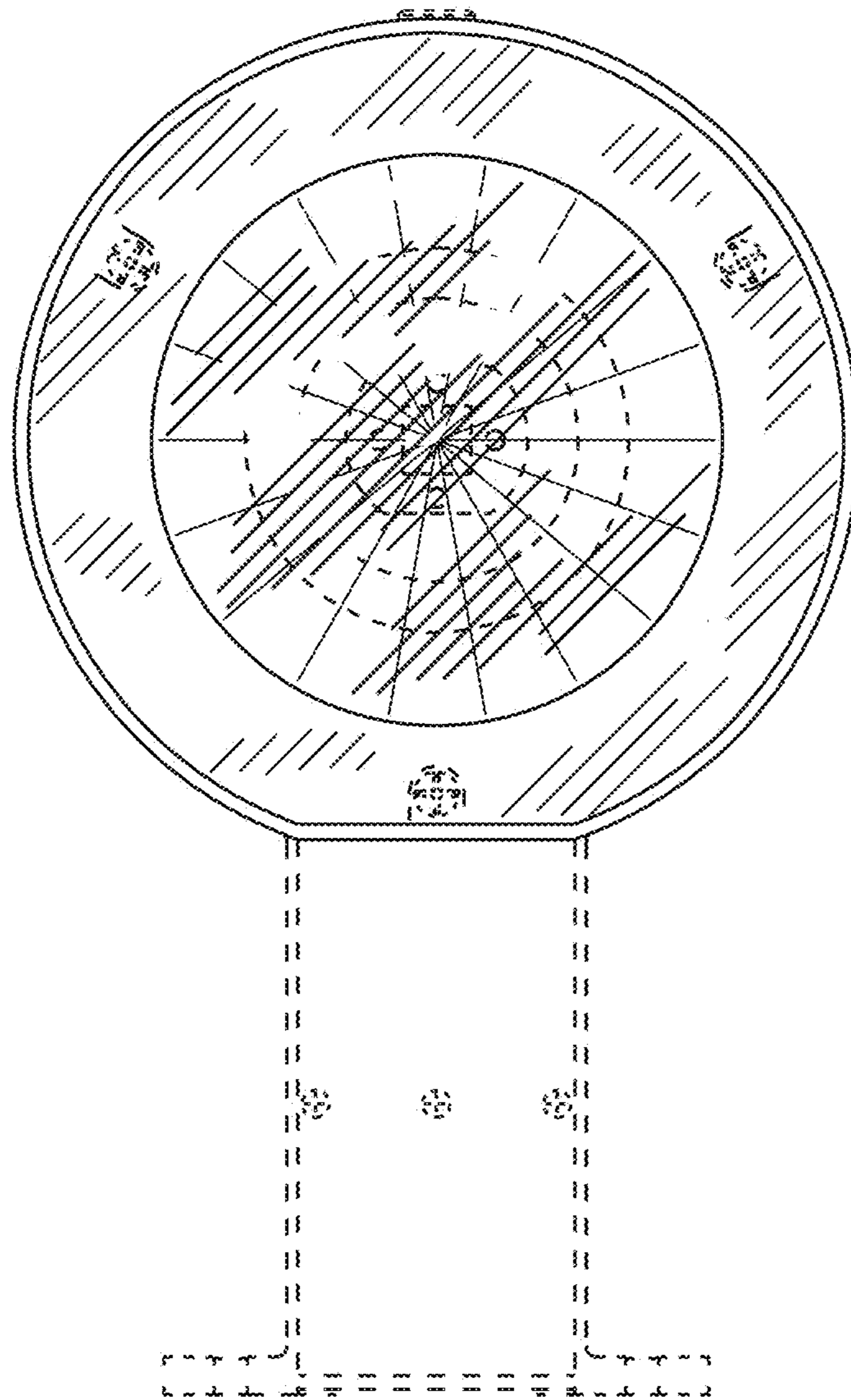


Fig. 5



**Fig. 6**



**Fig. 7**