



US00D713089S

(12) **United States Design Patent**
Orozco

(10) **Patent No.:** **US D713,089 S**
(45) **Date of Patent:** **** Sep. 9, 2014**

(54) **LIGHT FIXTURE**

(71) Applicant: **Quoizel, Inc.**, Goose Creek, SC (US)

(72) Inventor: **Sergio J. Orozco**, West New York, NJ (US)

(73) Assignee: **Quoizel, Inc.**, Goose Creek, SC (US)

(**) Term: **14 Years**

(21) Appl. No.: **29/473,867**

(22) Filed: **Nov. 26, 2013**

(51) **LOC (10) Cl.** **26-03**

(52) **U.S. Cl.**
USPC **D26/85; D26/87**

(58) **Field of Classification Search**
USPC D26/67, 68, 72, 85, 87, 92, 118;
362/147, 350, 356, 363, 432

See application file for complete search history.

(56) **References Cited**

U.S. PATENT DOCUMENTS

D244,310 S *	5/1977	Dunning	D26/85
D271,528 S *	11/1983	Muller	D26/85
D382,665 S *	8/1997	Ruggles et al.	D26/85
D420,461 S *	2/2000	Meck et al.	D26/87
D427,355 S *	6/2000	Miranda	D26/87
D439,361 S *	3/2001	Berry	D26/87
D458,704 S	6/2002	Orozco		
D464,163 S	10/2002	Orozco		
D473,674 S	4/2003	Orozco		
D483,143 S *	12/2003	Orozco	D26/87
D483,515 S	12/2003	Radulescu		
D500,382 S	12/2004	Phillips		
D500,570 S *	1/2005	Tsai	D26/87
D510,153 S	9/2005	Phillips		
D541,974 S *	5/2007	Yuan	D26/87
D574,534 S	8/2008	Lastimosa		
D586,493 S *	2/2009	Parres	D26/87

D588,294 S *	3/2009	Flores	D26/85
D646,833 S *	10/2011	Chen	D26/85
D669,622 S *	10/2012	Orozco	D26/85
D684,293 S	6/2013	Lastimosa		

OTHER PUBLICATIONS

Items 802 and 803 shown on p. 22 of the Artistic Lighting & Design catalog "The Artistic Collection of Exterior Lighting 2007". © 2007. (3 pages, includes front and rear covers of catalog).*

All lanterns from the Sedona collection shown on p. 394 of the E.L.K. Lighting, Inc. Catalog 2900. © 2009. (3 pages, includes front and rear covers of catalog).*

* cited by examiner

Primary Examiner — Clare E Heflin

(74) *Attorney, Agent, or Firm* — Nelson Mullins Riley & Scarborough, LLP

(57) **CLAIM**

The ornamental design for a light fixture, substantially as shown and described.

DESCRIPTION

FIG. 1 is a perspective view of a light fixture embodying the design of the present invention.

FIG. 2 is a front side elevational view of the light fixture illustrated in FIG. 1.

FIG. 3 is a back side elevational view of the light fixture illustrated in FIG. 1.

FIG. 4 is a left side elevational view of the light fixture illustrated in FIG. 1.

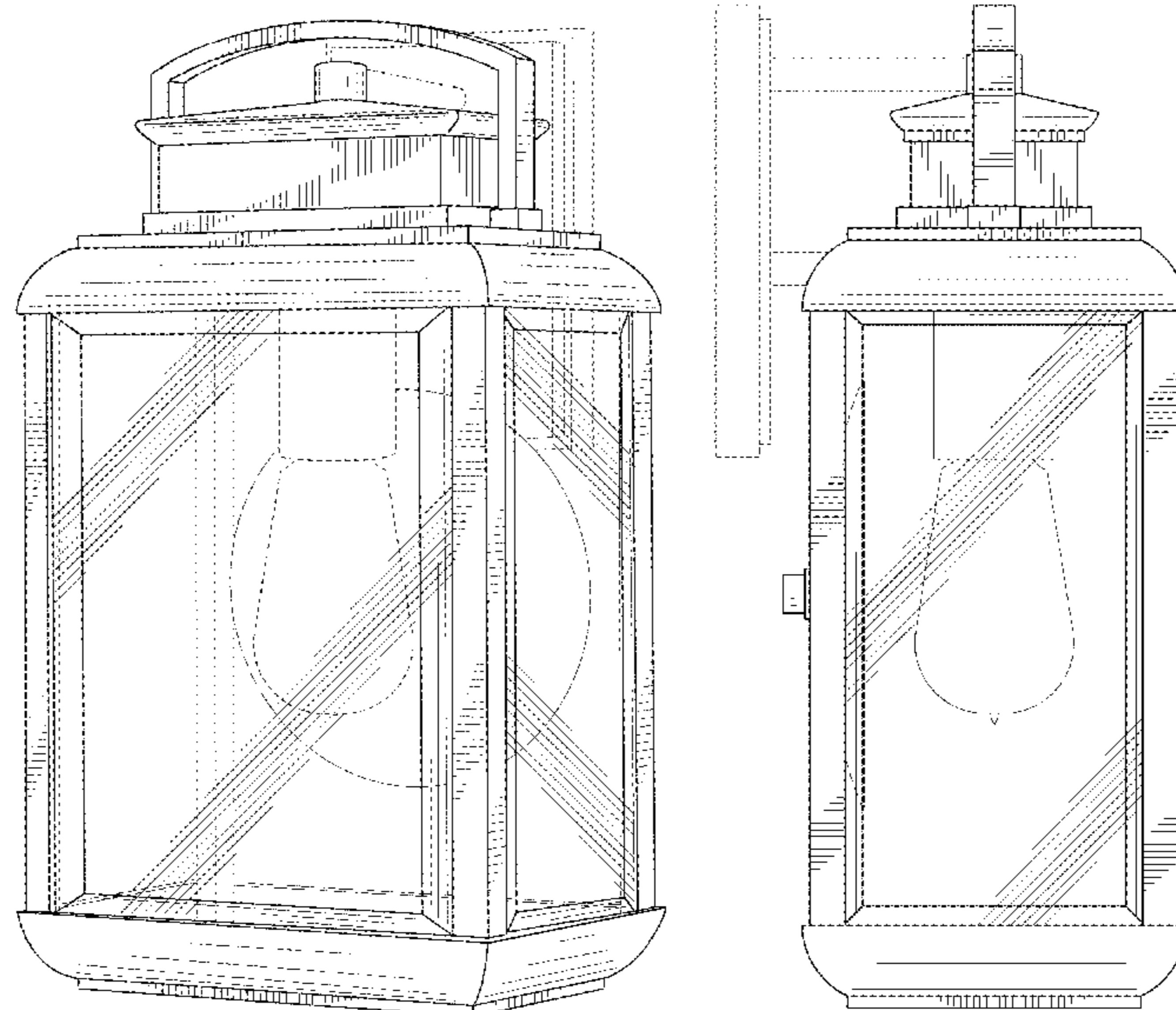
FIG. 5 is a right side elevational view of the light fixture illustrated in FIG. 1.

FIG. 6 is a top view of the light fixture illustrated in FIG. 1; and,

FIG. 7 is a bottom view of the light fixture illustrated in FIG. 1.

The portions shown in broken lines form no part of the claimed design.

1 Claim, 6 Drawing Sheets



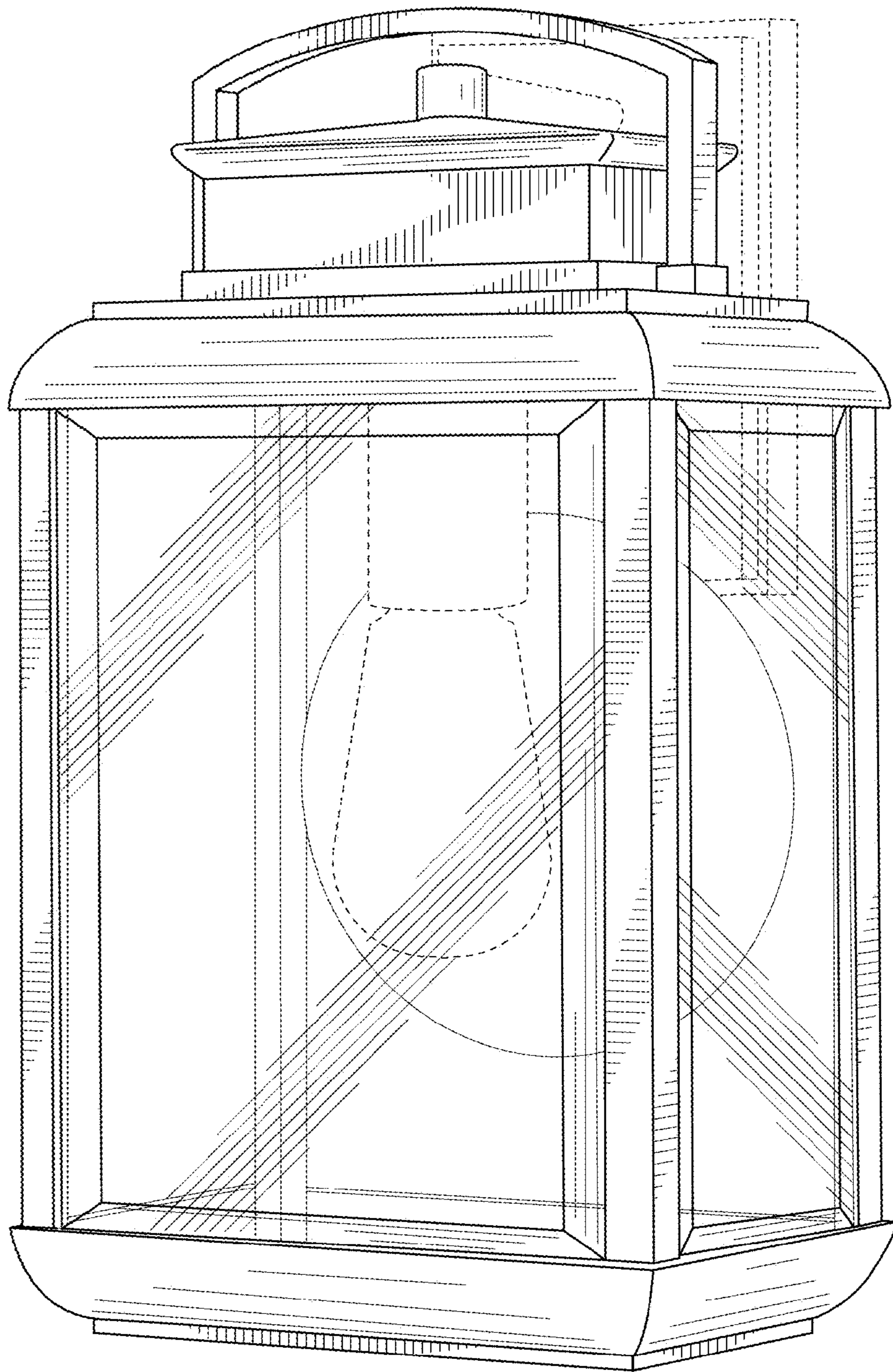


FIG. 1

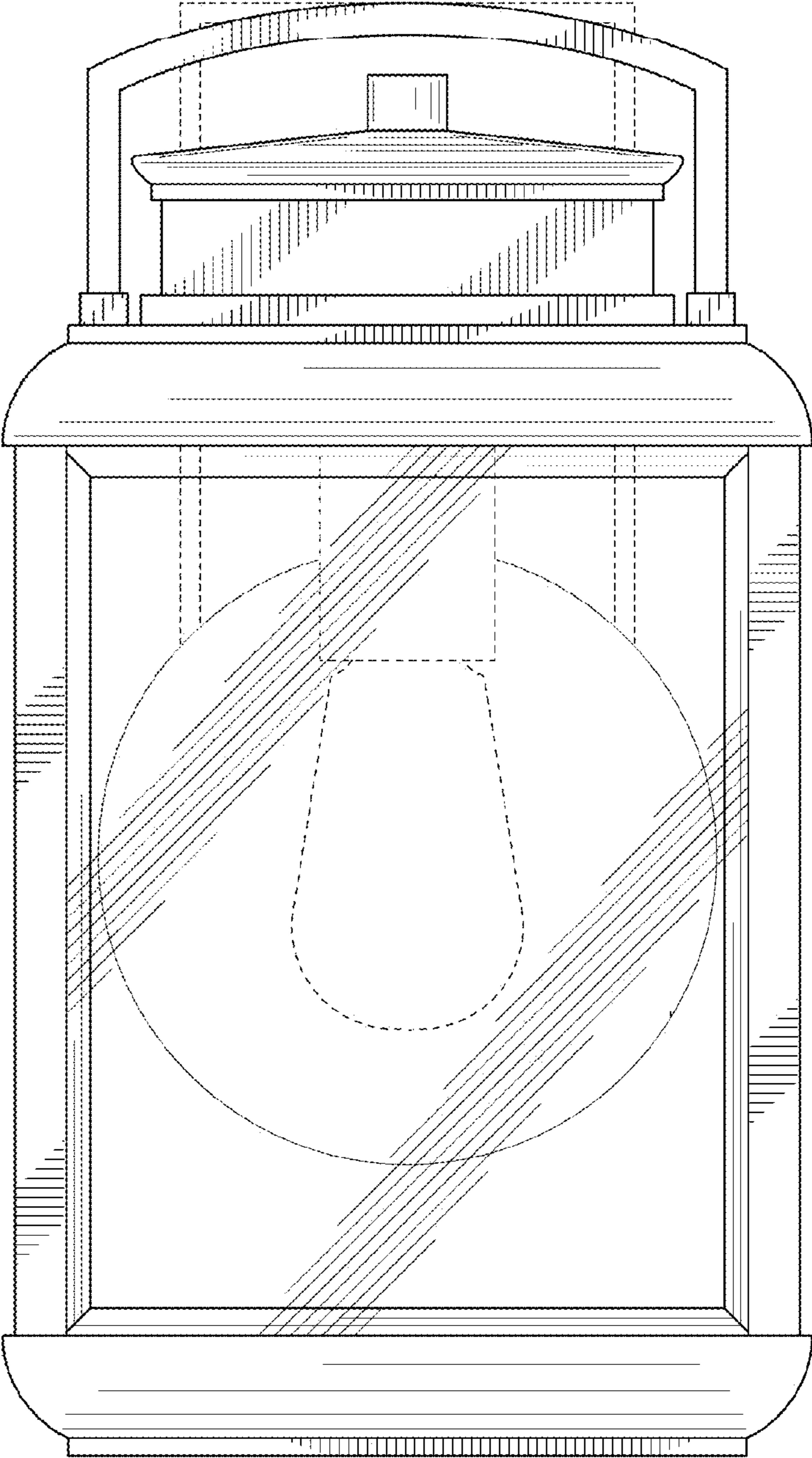


FIG. 2

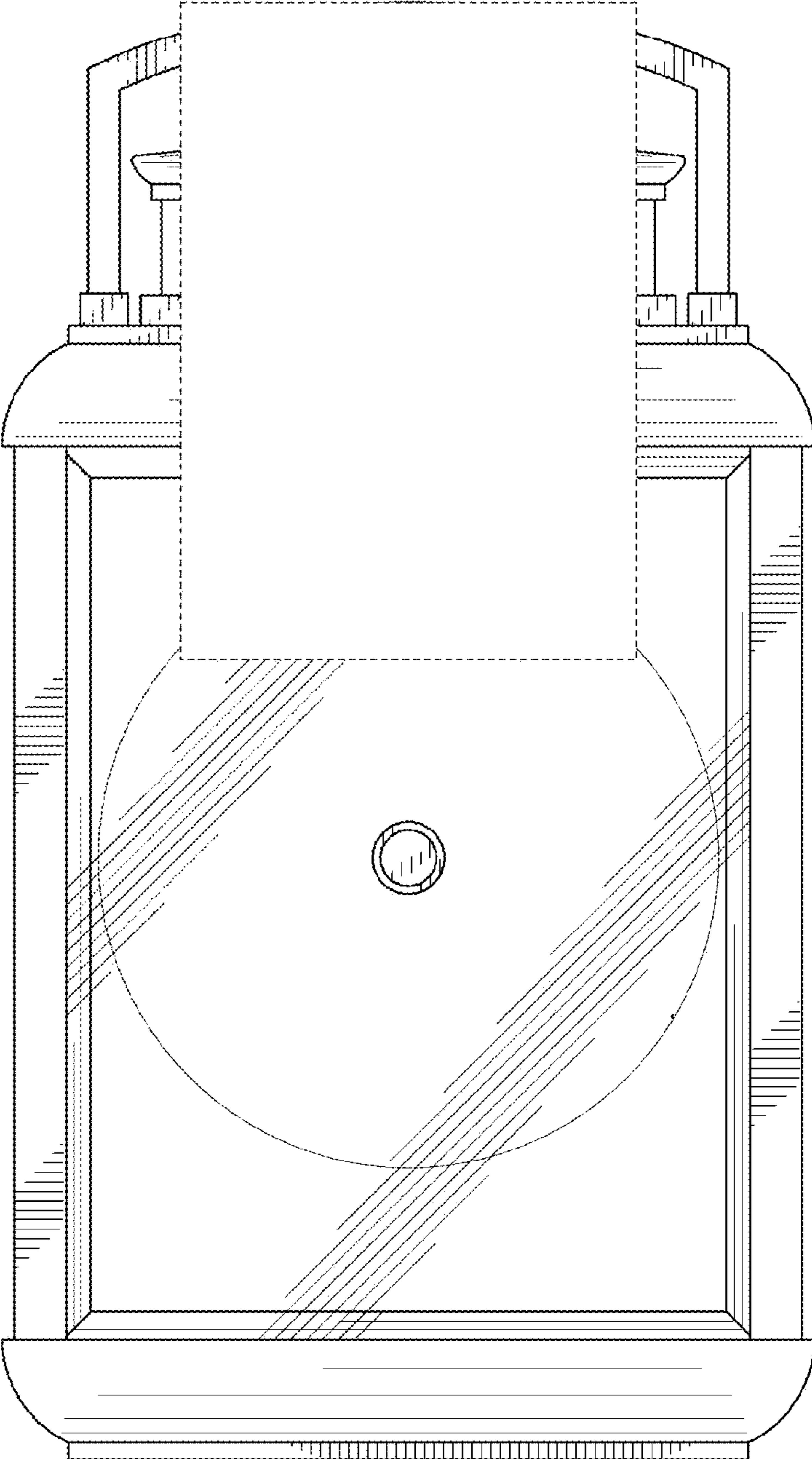


FIG. 3

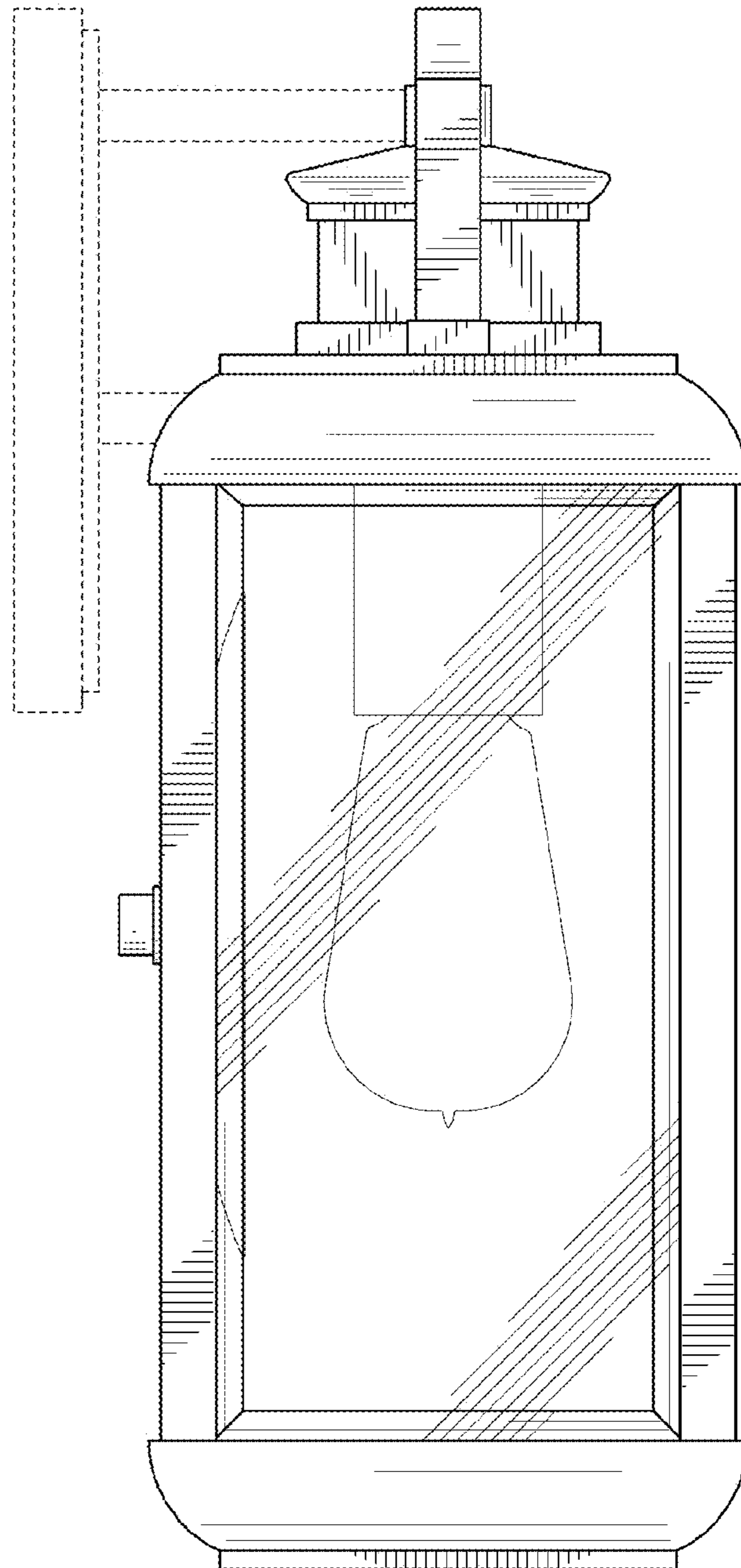


FIG. 4

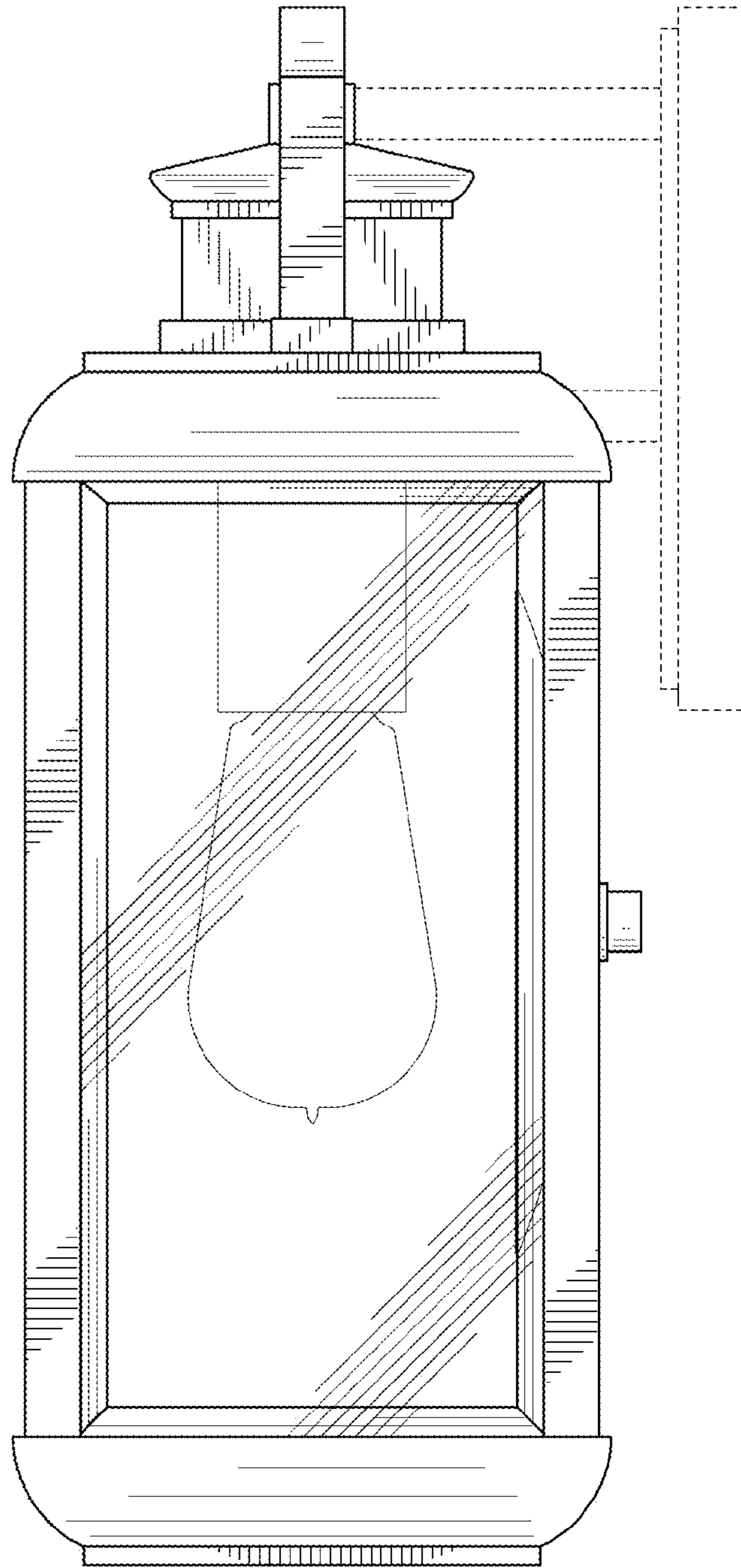


FIG. 5

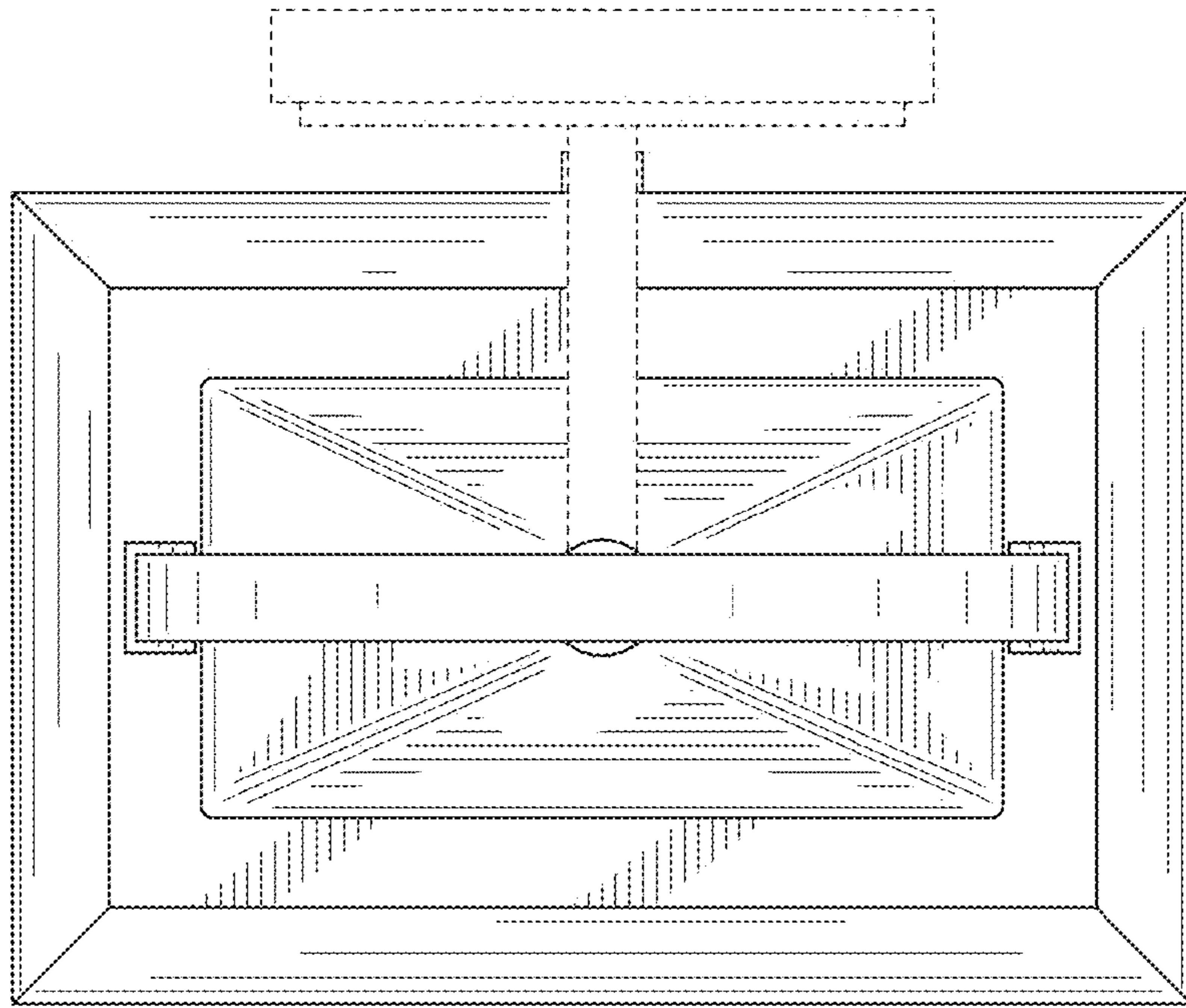


FIG. 6

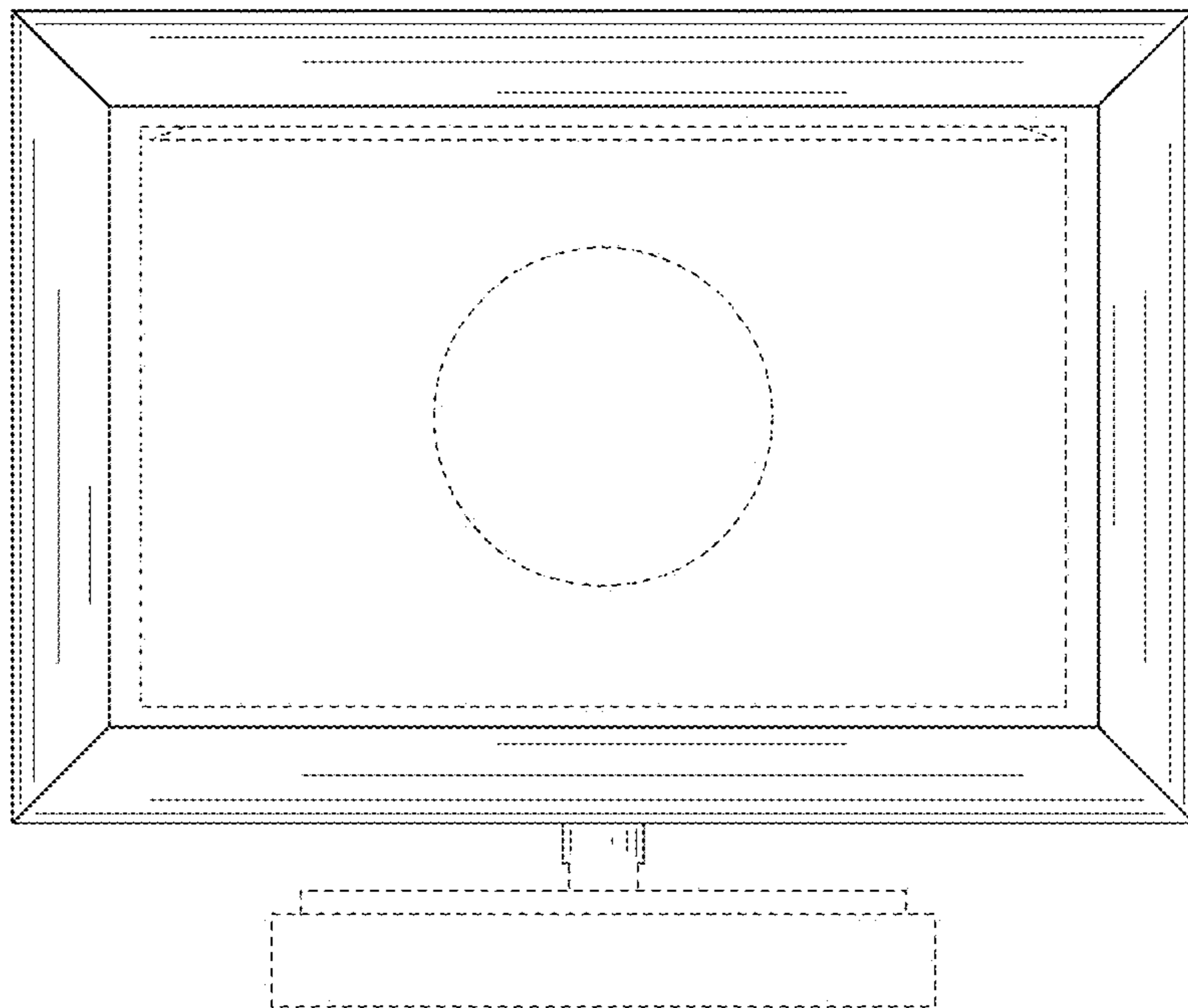


FIG. 7