



US00D713088S

(12) **United States Design Patent**
Kitts

(10) **Patent No.:** **US D713,088 S**

(45) **Date of Patent:** **** Sep. 9, 2014**

(54) **LAMP**

(71) Applicant: **Hubbardton Forge LLC**, Castleton, VT (US)

(72) Inventor: **David Kitts**, Rutland, VT (US)

(73) Assignee: **Hubbardton Forge, LLC.**, Castleton, VT (US)

(**) Term: **14 Years**

(21) Appl. No.: **29/471,909**

(22) Filed: **Nov. 6, 2013**

(51) **LOC (10) Cl.** **26-03**

(52) **U.S. Cl.**
USPC **D26/85**

(58) **Field of Classification Search**
CPC F21S 8/04; F21V 21/02; F21V 29/02;
F21V 17/08; F21V 17/10; F21V 17/06
USPC D26/72, 85, 87, 89, 120; 362/84, 147,
362/350, 404-408, 432

See application file for complete search history.

(56) **References Cited**

U.S. PATENT DOCUMENTS

D303,849 S *	10/1989	Nugent	D26/85
D383,238 S *	9/1997	Chen	D26/87
D415,305 S *	10/1999	Putman	D26/87
D429,019 S *	8/2000	Chen	D26/87
D430,327 S *	8/2000	Rockwell et al.	D26/87
D564,695 S *	3/2008	Krause	D26/86
D606,231 S *	12/2009	Sabernig	D26/85
D608,488 S *	1/2010	Miranda	D26/87
D623,339 S *	9/2010	Schlabach	D26/85
D626,276 S *	10/2010	Sabernig	D26/85
D626,681 S *	11/2010	Chen	D26/93
D646,424 S *	10/2011	Ho	D26/85
D649,679 S *	11/2011	Germain et al.	D26/91

D655,439 S *	3/2012	Sabernig	D26/83
D674,952 S *	1/2013	Crosby	D26/85
D690,871 S *	10/2013	Kitts	D26/85
D701,634 S *	3/2014	Tomlinson et al.	D26/85

OTHER PUBLICATIONS

“Ethos”—Medium Vintage Platinum LED Wall Sconce by Hubbardton Forge. Found at ylighting.com; visited Jun. 2, 2014.*

“Glacier”—21 inch Wall Light. Design by Modern Forms. Found at ylighting.com; visited Jun. 2, 2014.*

* cited by examiner

Primary Examiner — Clare E Heflin

(74) *Attorney, Agent, or Firm* — Bourque and Associates, PA

(57) **CLAIM**

The ornamental design for a lamp, as shown and described.

DESCRIPTION

FIG. 1 is a perspective view of the lamp according to the present invention showing only an inner diffuser, the outer diffuser having been removed for sake of clarity;

FIG. 2 is another perspective view of the lamp thereof showing an outer diffuser, the inner diffuser blocked from view;

FIG. 3 is a front view of the lamp thereof;

FIG. 4 is a back view of the lamp thereof;

FIG. 5 is a right view of the lamp thereof;

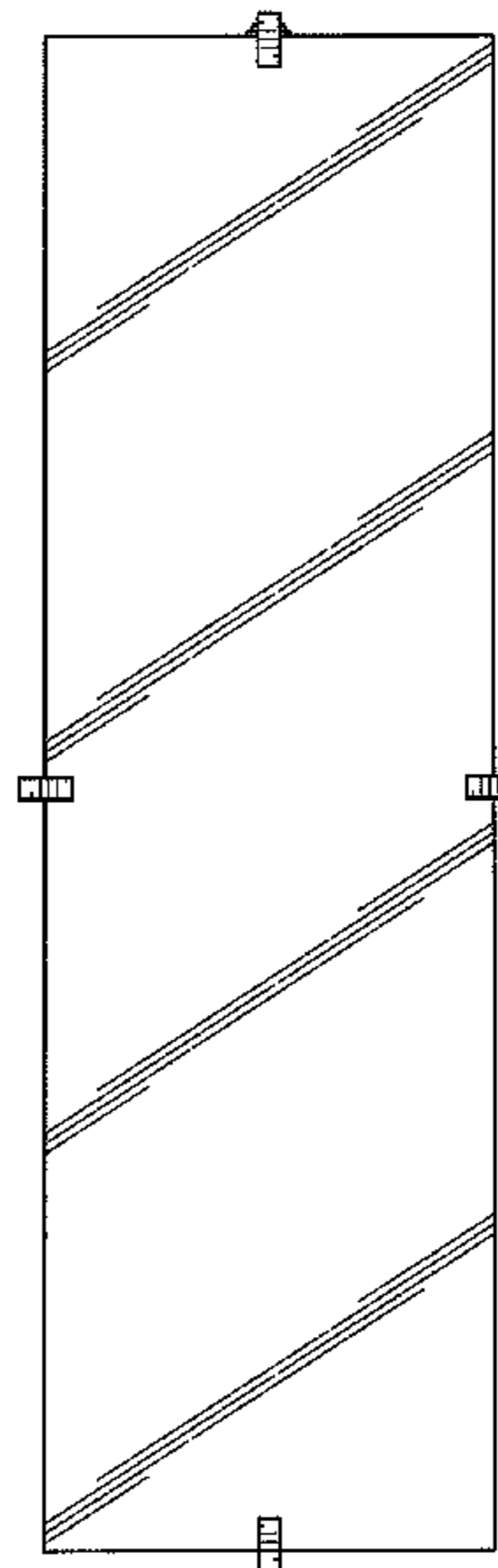
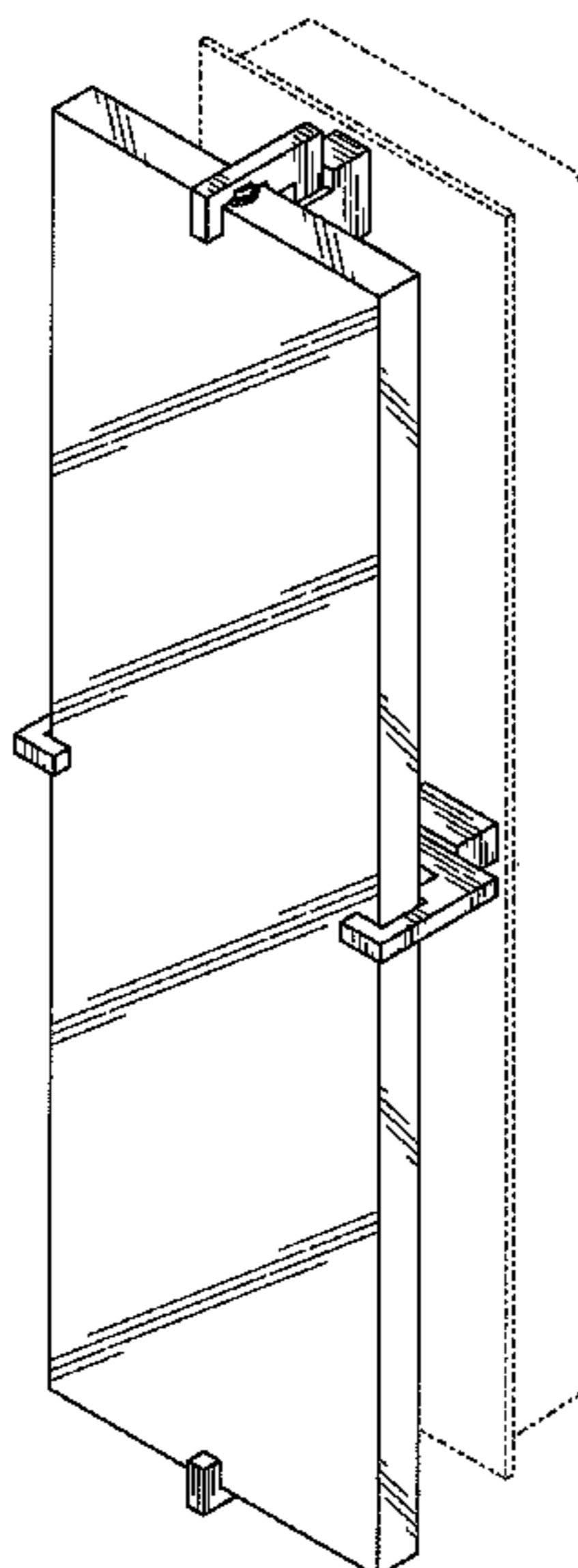
FIG. 6 is a left view of the lamp thereof;

FIG. 7 is a top view of the lamp thereof; and,

FIG. 8 is a bottom view of the lamp thereof.

The broken lines shown on the drawings depict portions of the lamp that form no part of the claimed design.

1 Claim, 7 Drawing Sheets



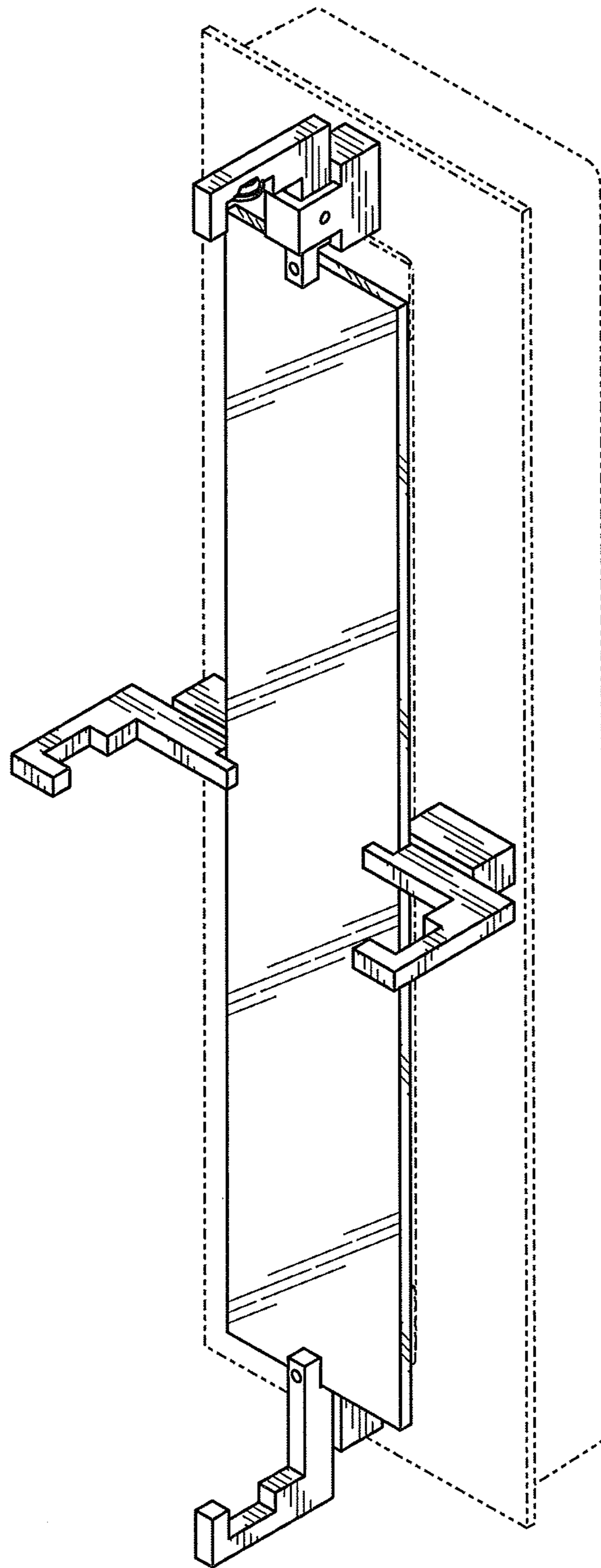


FIG. 1

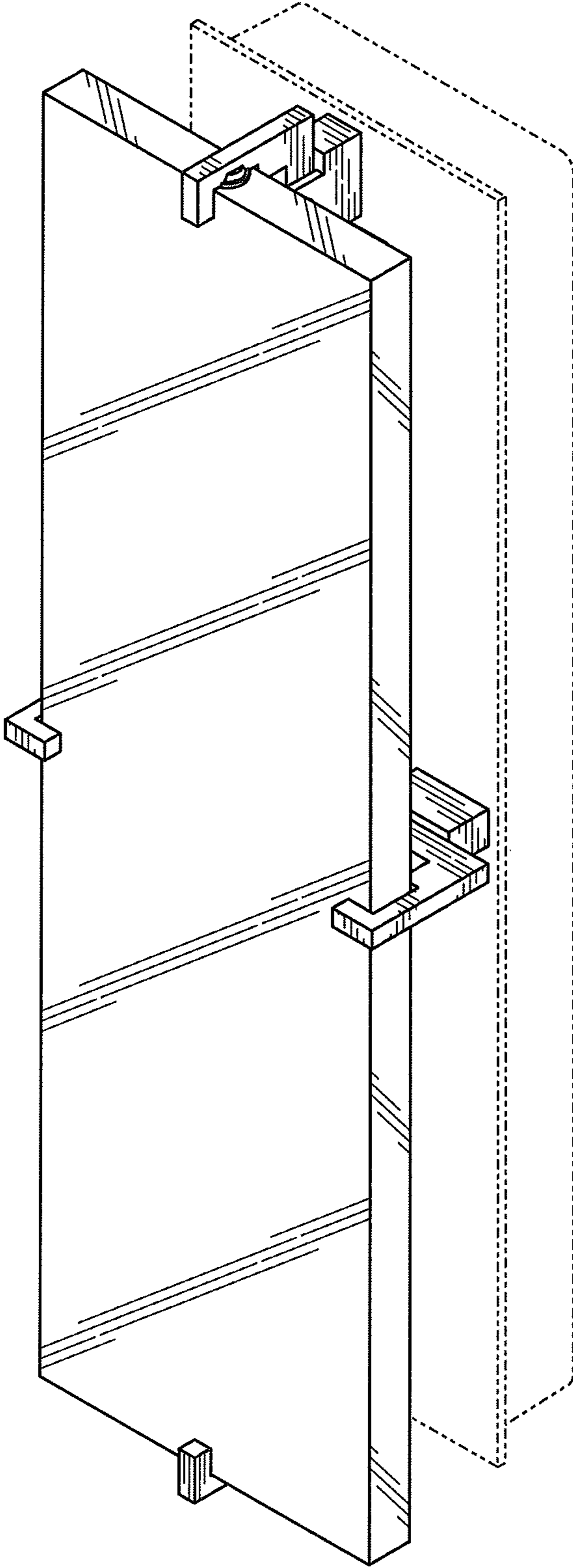


FIG. 2

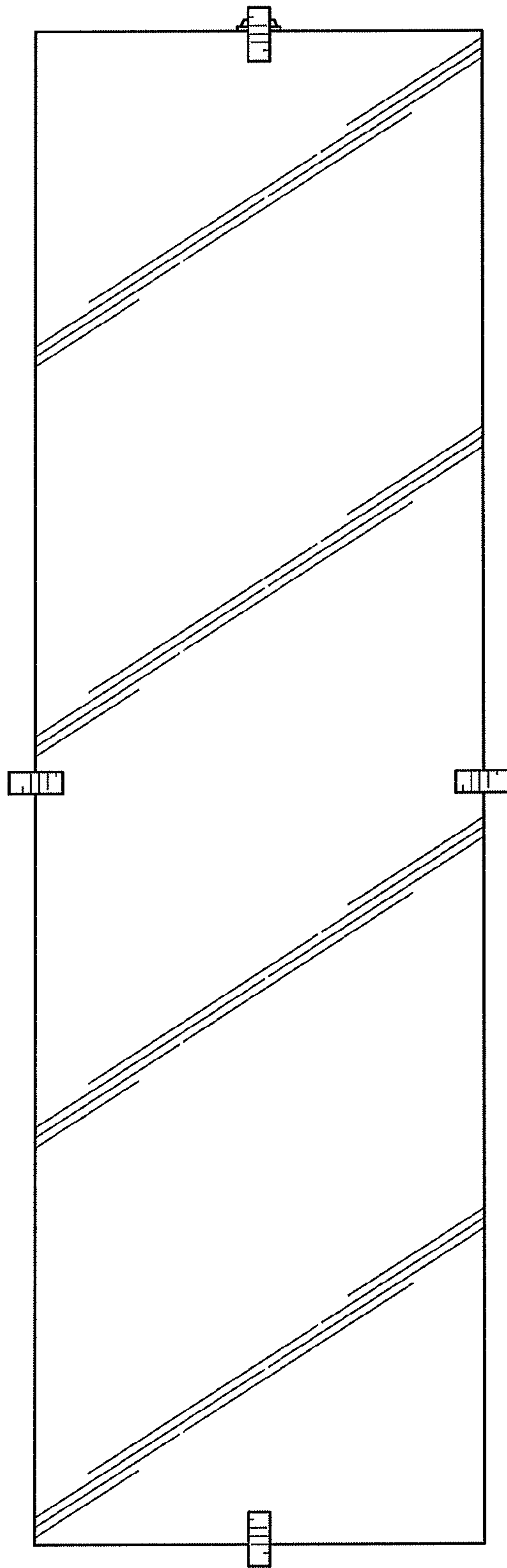


FIG. 3

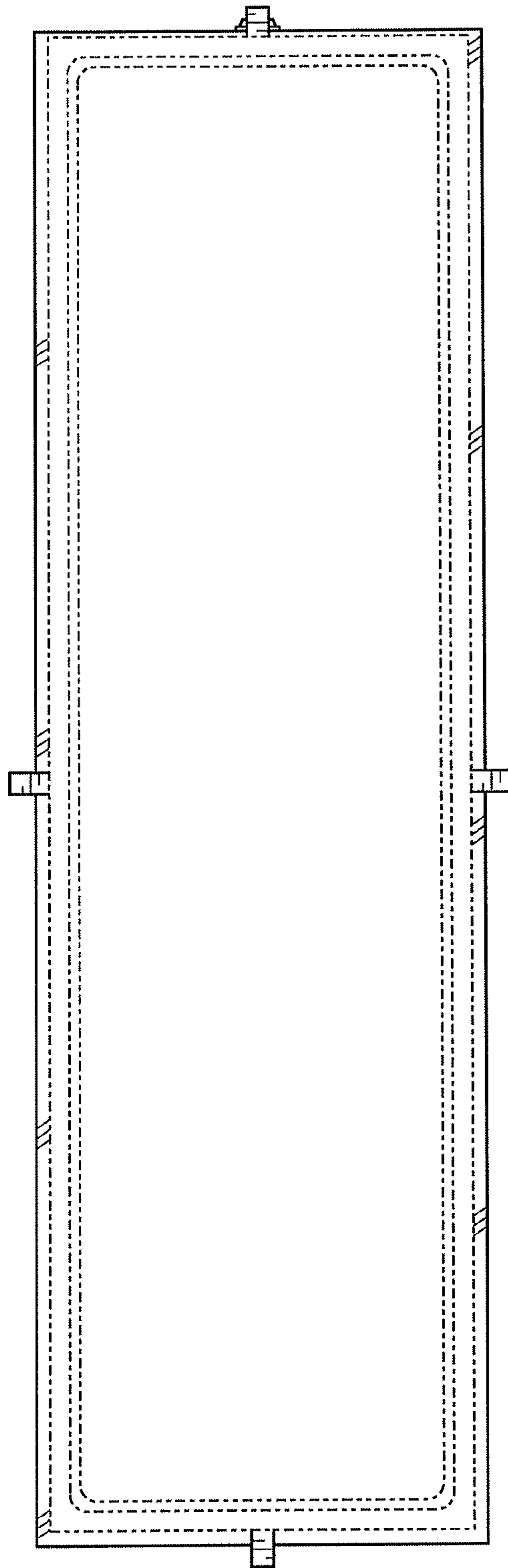


FIG. 4

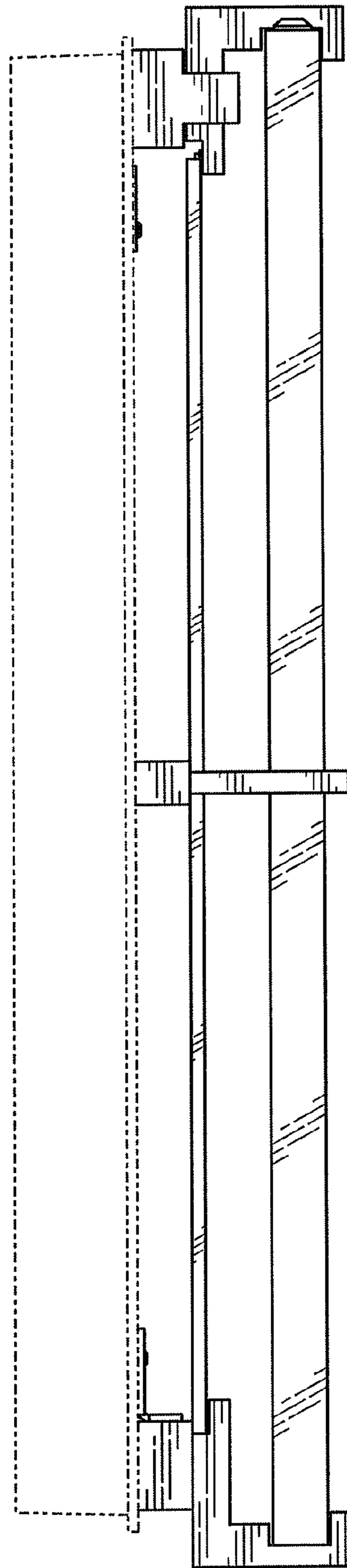


FIG. 5

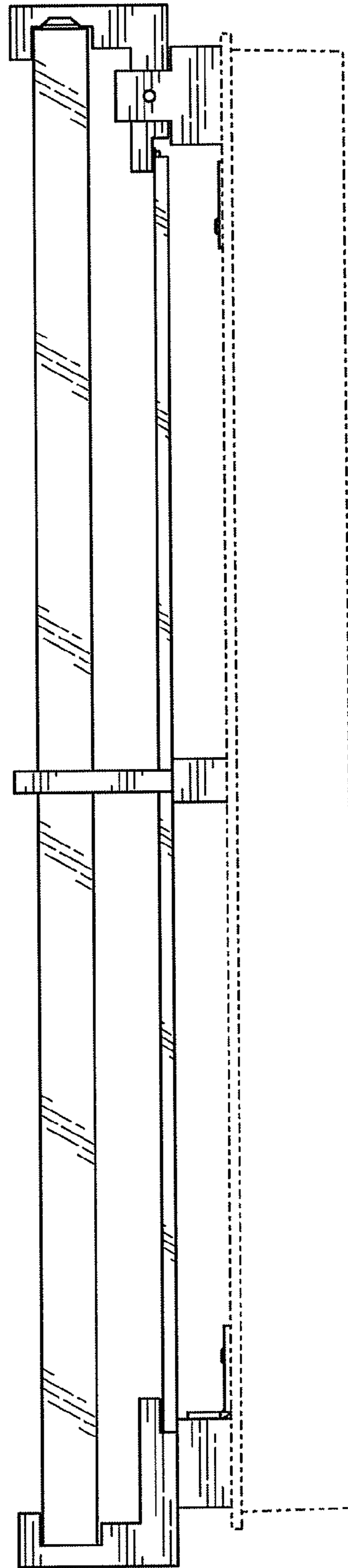


FIG. 6

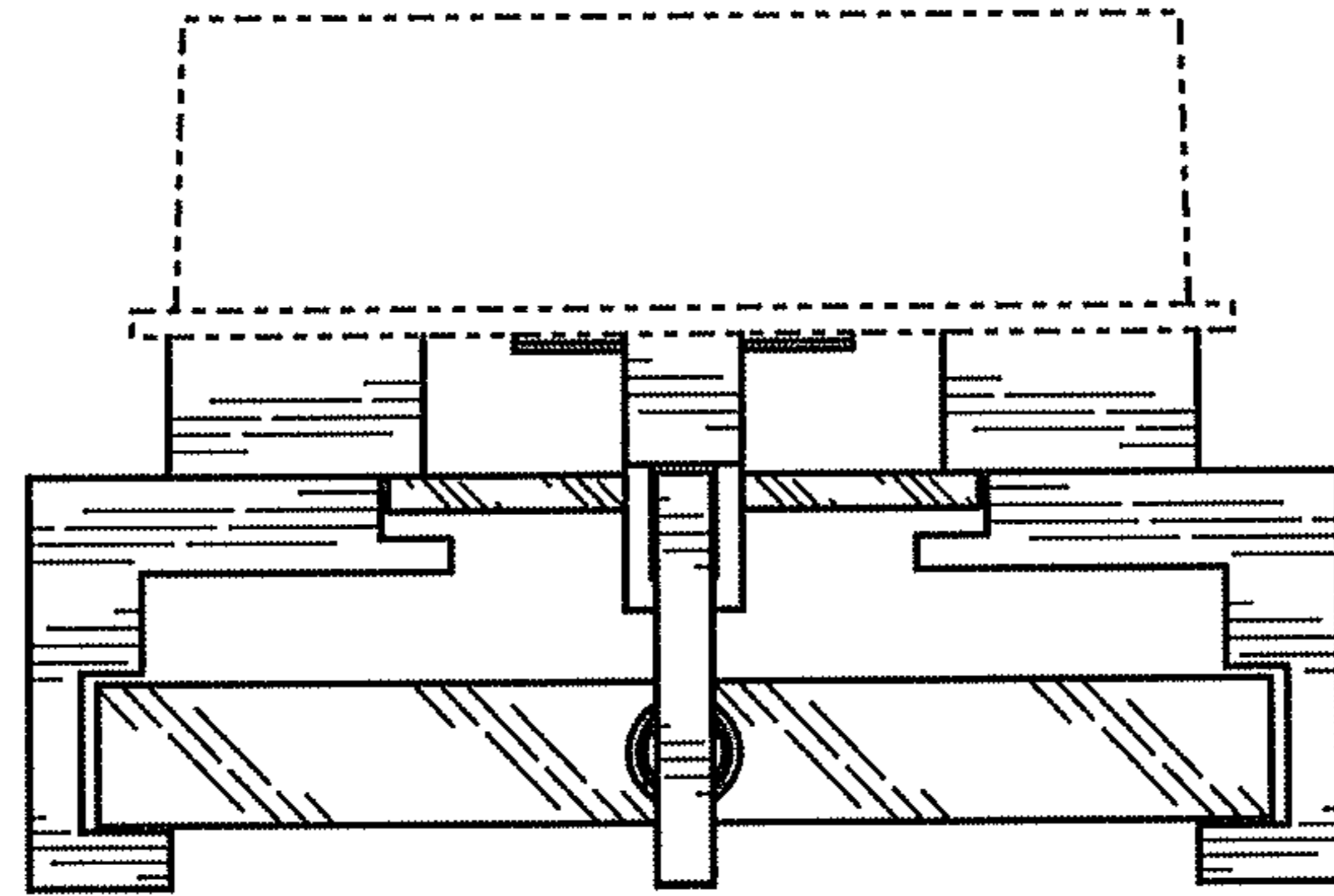


FIG. 7

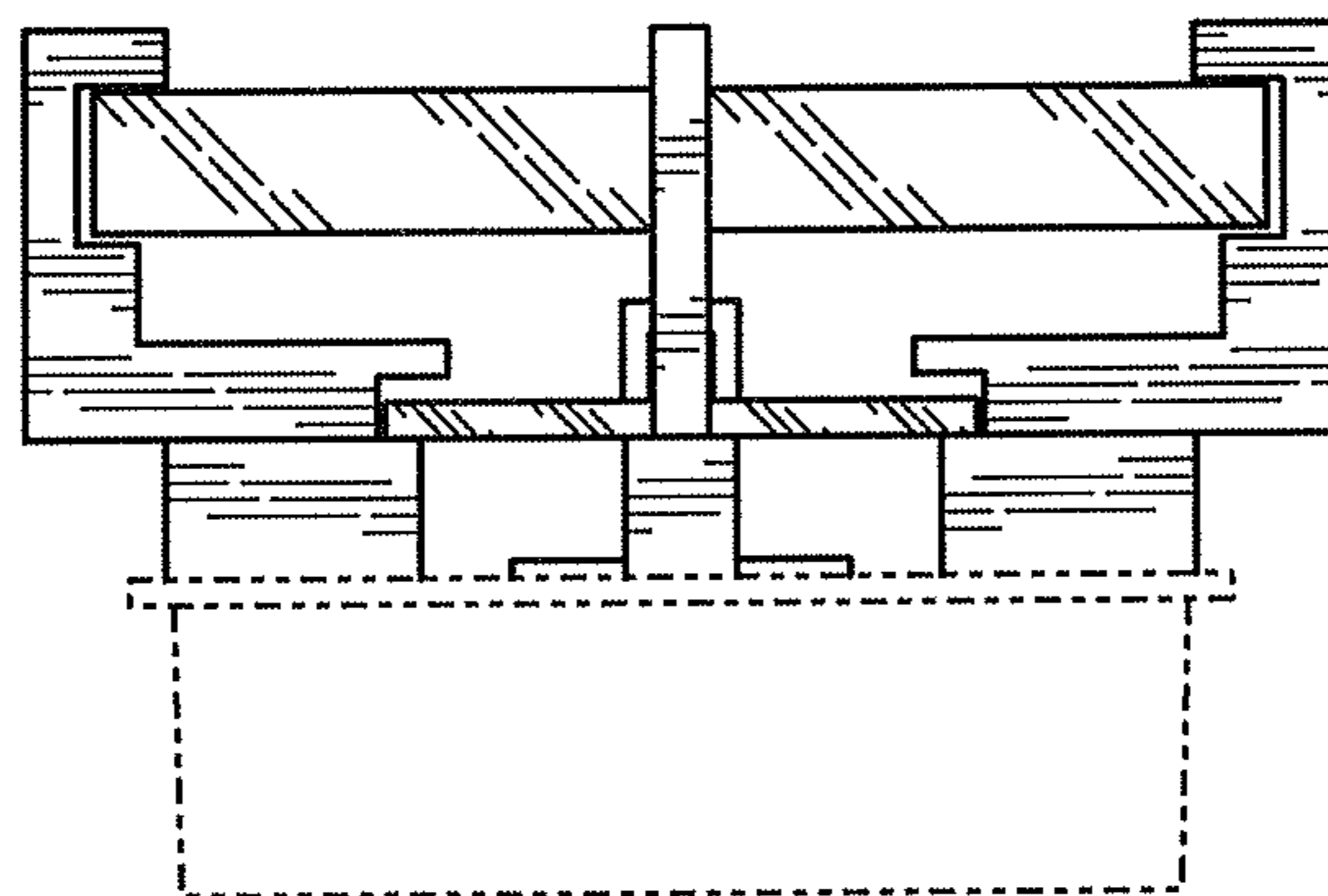


FIG. 8