



US00D713087S

(12) **United States Design Patent**  
**Orozco**

(10) **Patent No.:** **US D713,087 S**  
(45) **Date of Patent:** **\*\* Sep. 9, 2014**

(54) **LIGHT FIXTURE**

(71) Applicant: **Quoizel, Inc.**, Goose Creek, SC (US)

(72) Inventor: **Sergio J. Orozco**, West New York, NJ (US)

(73) Assignee: **Quoizel, Inc.**, Goose Creek, SC (US)

(\*\*) Term: **14 Years**

(21) Appl. No.: **29/443,432**

(22) Filed: **Jan. 17, 2013**

(51) **LOC (10) Cl.** ..... **26-03**

(52) **U.S. Cl.**  
USPC ..... **D26/85; D26/87**

(58) **Field of Classification Search**  
USPC ..... D26/67, 68, 72, 85, 87, 92, 118;  
362/147, 350, 356, 363, 432  
See application file for complete search history.

(56) **References Cited**

**U.S. PATENT DOCUMENTS**

D48,544 S	*	2/1916	Frary	.....	D26/87
D387,464 S	*	12/1997	Hoffman	.....	D26/87
D388,219 S	*	12/1997	Hsu	.....	D26/87
D420,162 S	*	2/2000	Meck et al.	.....	D26/87
D420,460 S	*	2/2000	Meck et al.	.....	D26/87
D445,213 S	*	7/2001	Jones et al.	.....	D26/87
D458,704 S		6/2002	Orozco		
D464,163 S		10/2002	Orozco		
D473,673 S	*	4/2003	Crelin	.....	D26/87
D473,674 S		4/2003	Orozco		
D483,143 S	*	12/2003	Orozco	.....	D26/87
D483,515 S	*	12/2003	Radulescu	.....	D26/87
D500,382 S		12/2004	Phillips		

D510,153 S		9/2005	Phillips		
D538,461 S	*	3/2007	Broughton et al.	.....	D26/87
D557,443 S	*	12/2007	Hsu	.....	D26/87
D574,534 S		8/2008	Lastimosa		
D588,294 S	*	3/2009	Flores	.....	D26/85
D669,622 S		10/2012	Orozco		
D684,293 S		6/2013	Lastimosa		

\* cited by examiner

*Primary Examiner* — Clare E Heflin

(74) *Attorney, Agent, or Firm* — Nelson Mullins Riley & Scarborough, LP

(57) **CLAIM**

The ornamental design for a light fixture, substantially as shown and described.

**DESCRIPTION**

FIG. 1 is a perspective view of a light fixture embodying the design of the present invention.

FIG. 2 is a front side elevational view of the light fixture illustrated in FIG. 1.

FIG. 3 is a back side elevational view of the light fixture illustrated in FIG. 1.

FIG. 4 is a top view of the light fixture illustrated in FIG. 1.

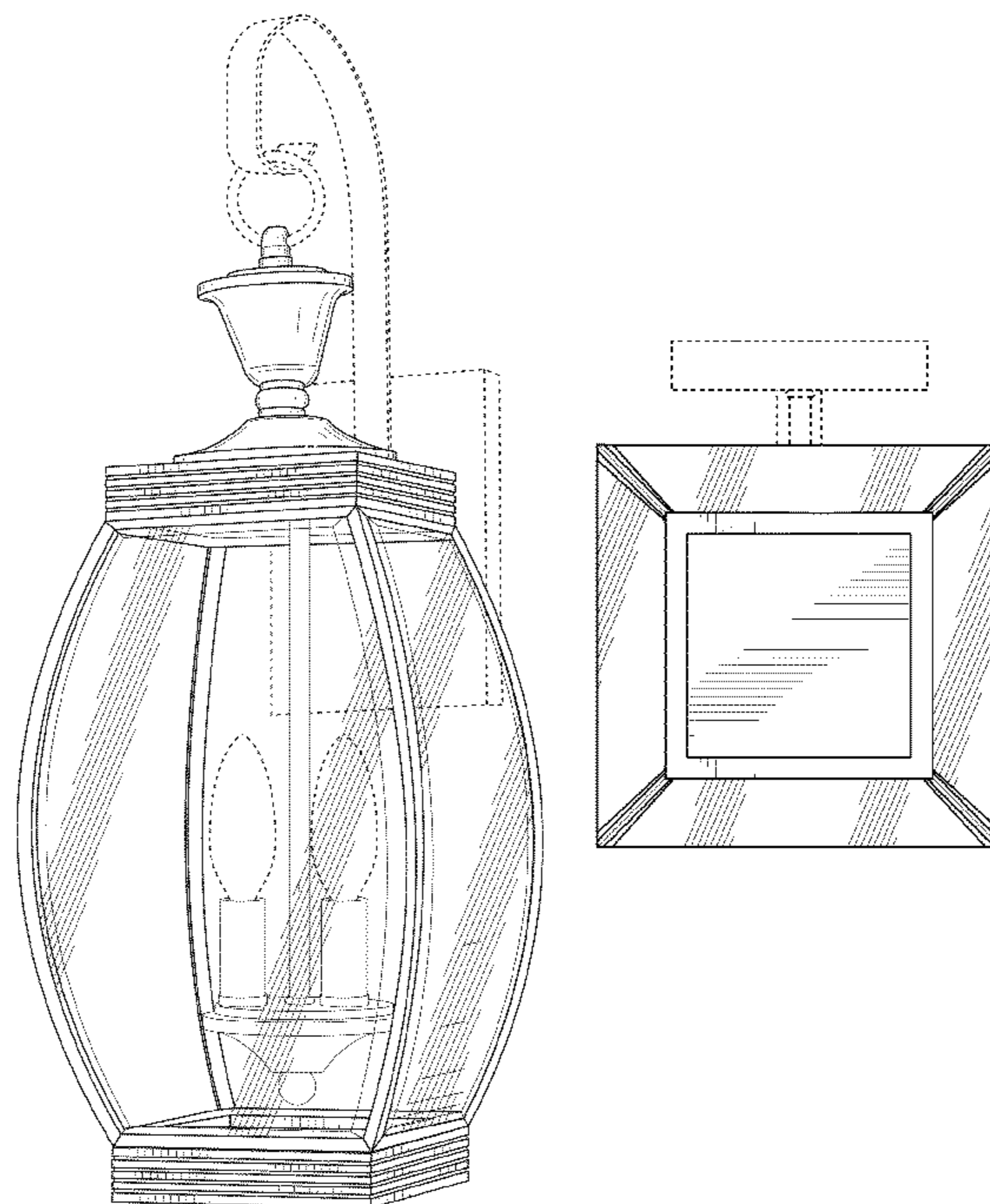
FIG. 5 is a bottom view of the light fixture illustrated in FIG. 1.

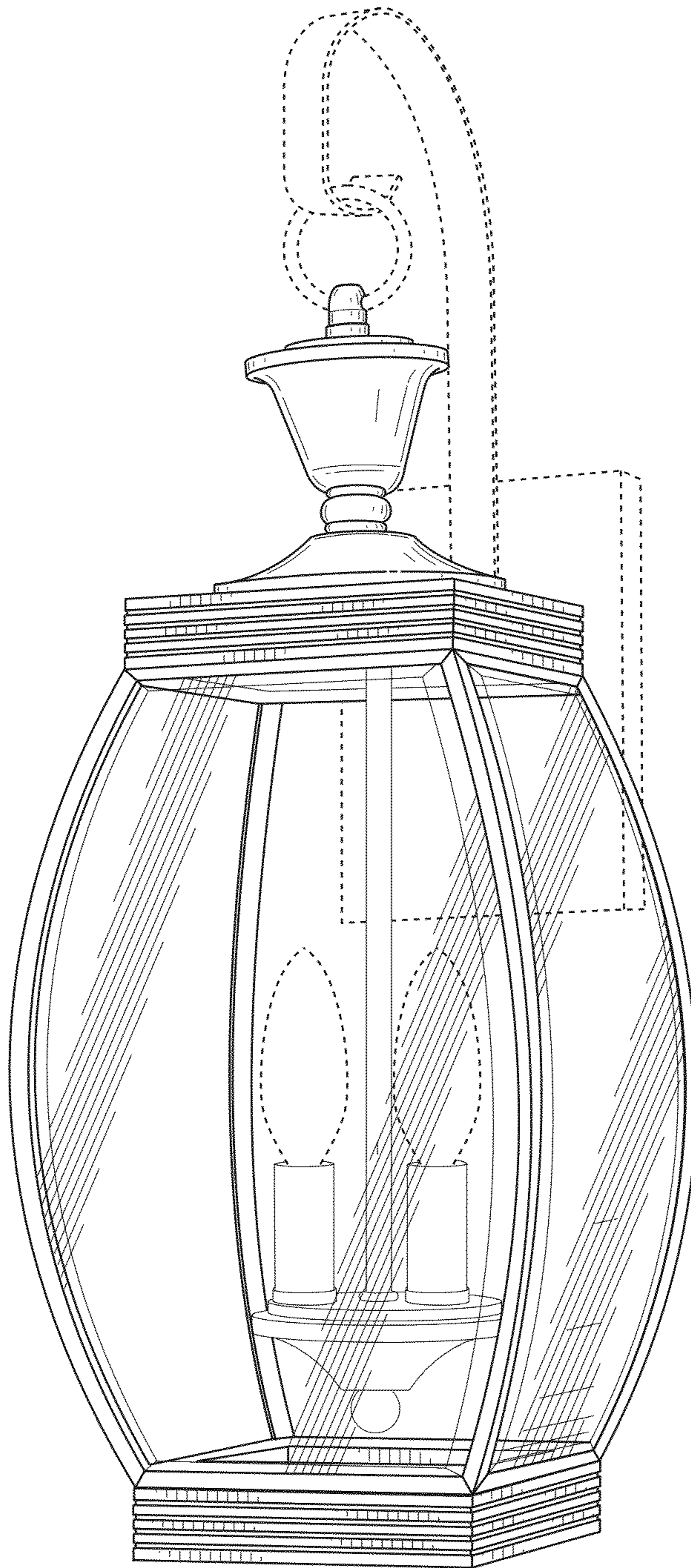
FIG. 6 is a right side elevational view of the light fixture illustrated in FIG. 1; and,

FIG. 7 is a left side elevational view of the light fixture illustrated in FIG. 1.

The portions shown in broken lines form no part of the claimed design.

**1 Claim, 7 Drawing Sheets**





**FIG. 1**

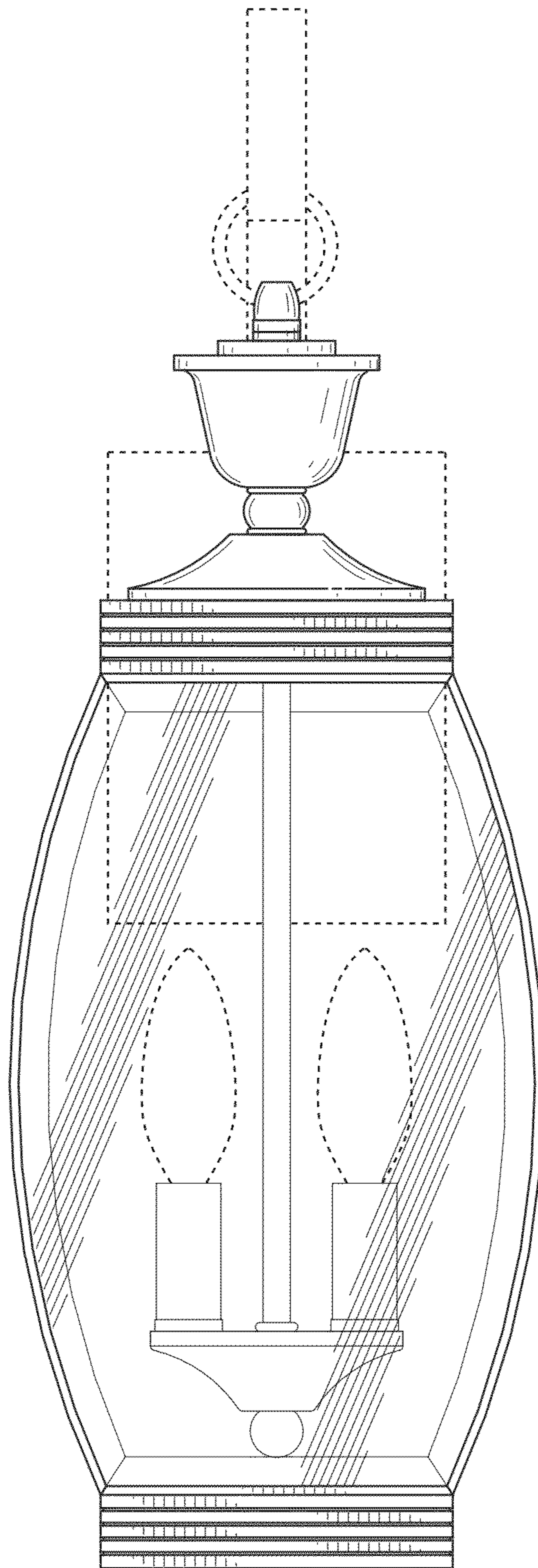


FIG. 2

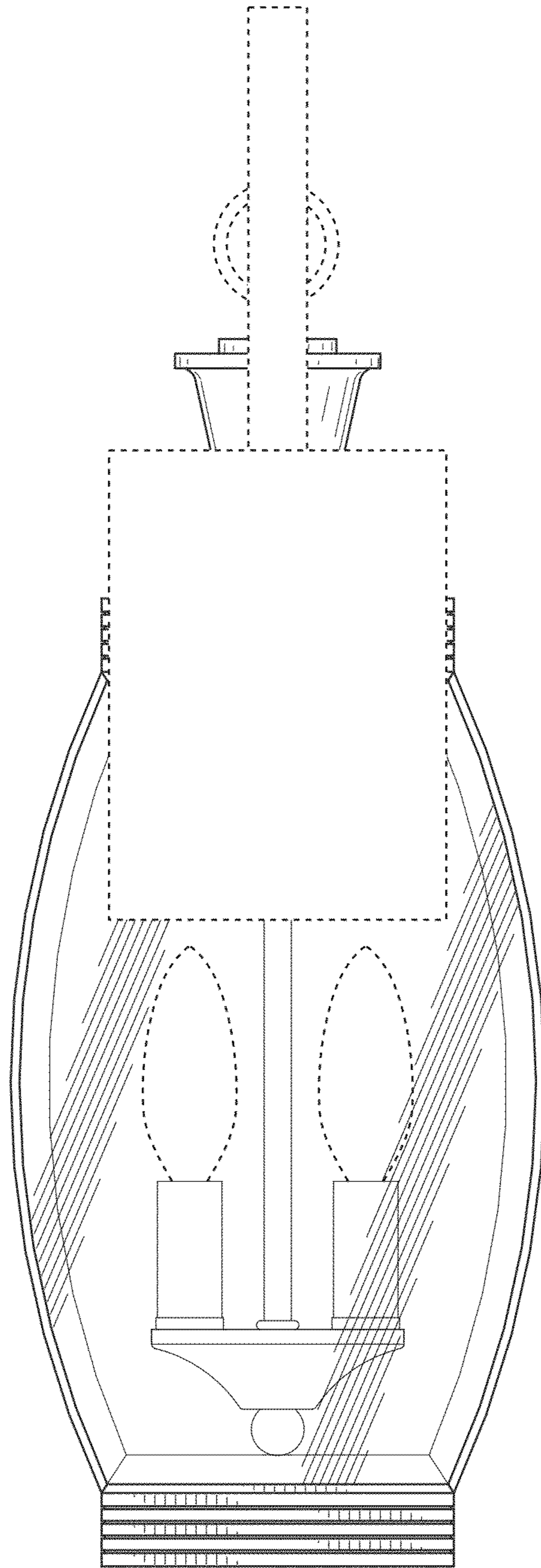
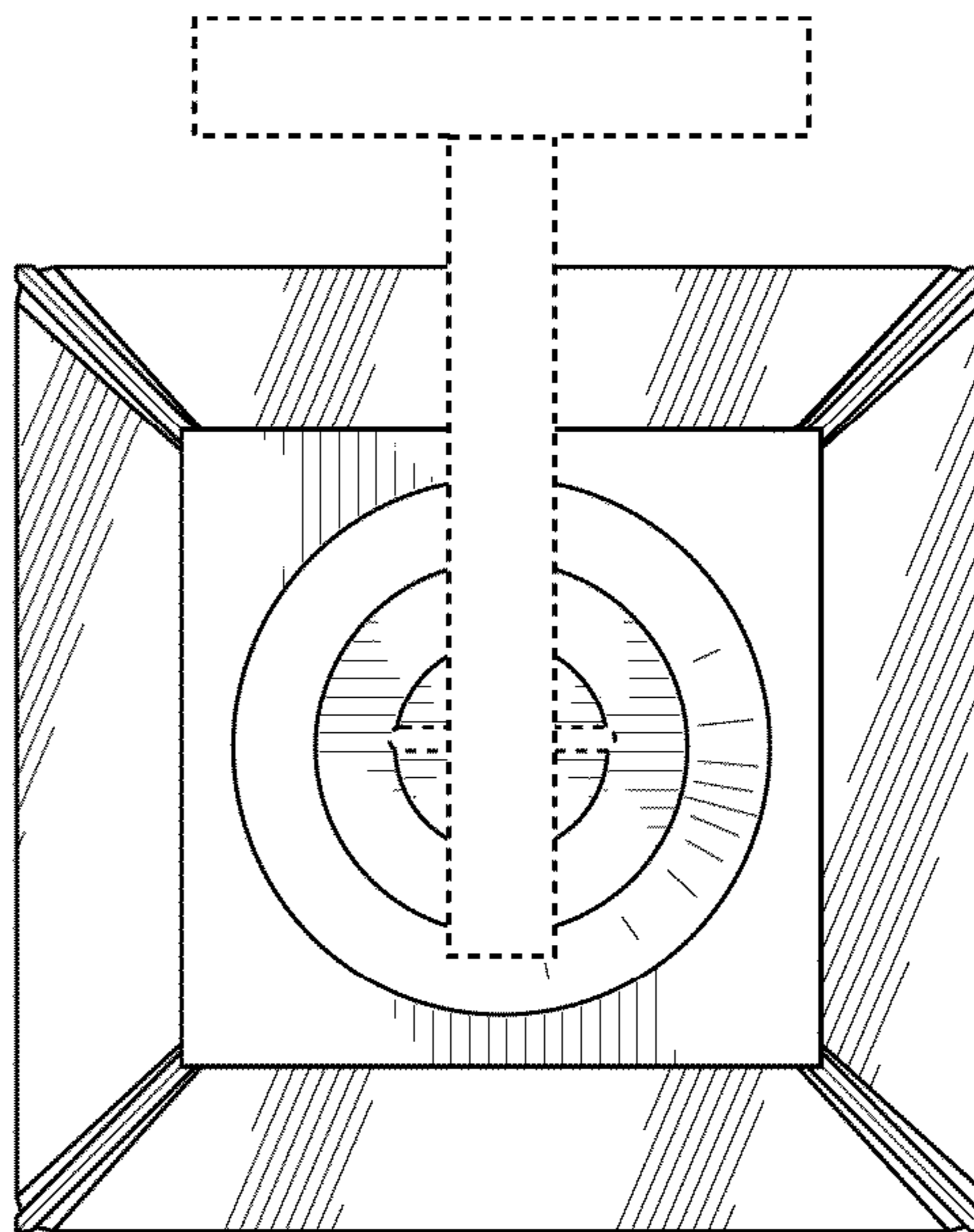
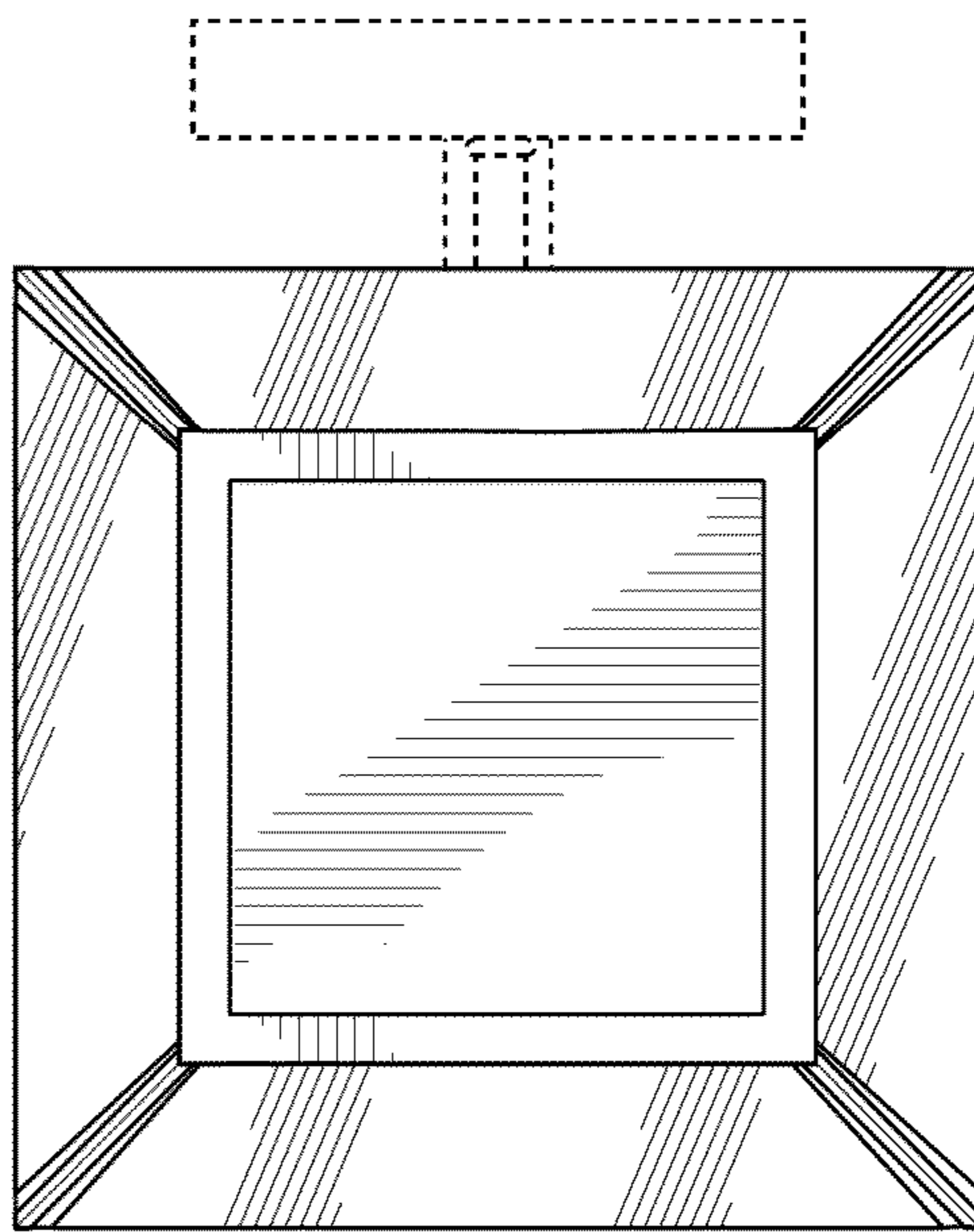


FIG. 3



**FIG. 4**



**FIG. 5**

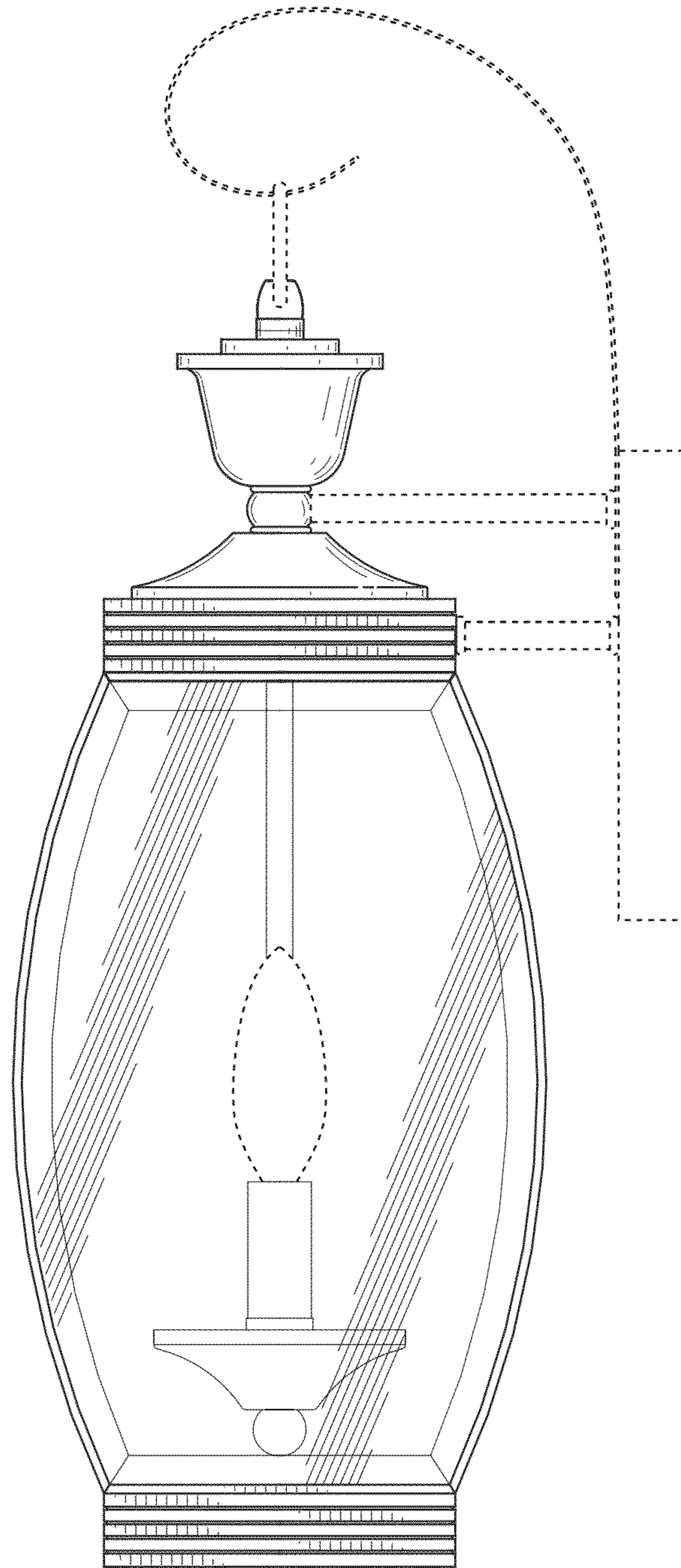


FIG. 6

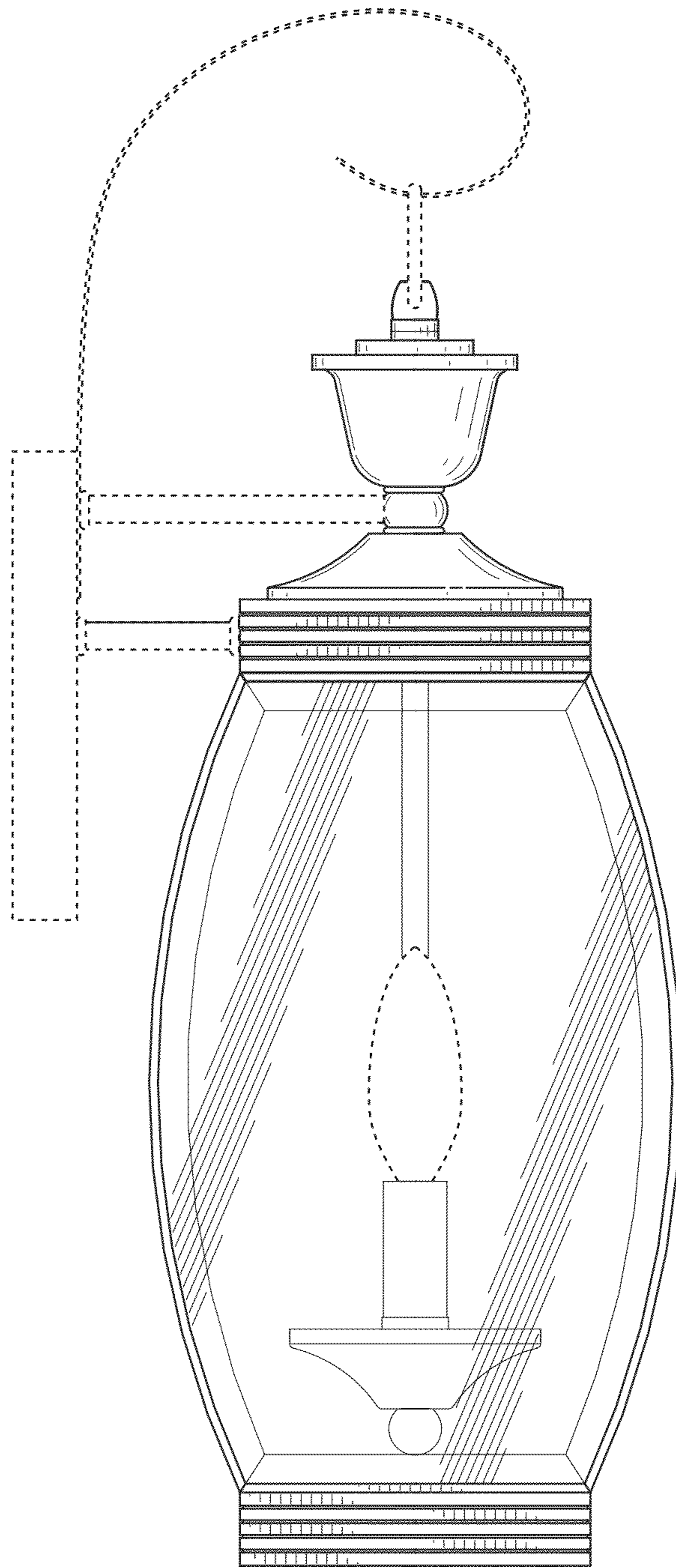


FIG. 7