



US00D713085S

(12) **United States Design Patent**
Orozco

(10) **Patent No.:** **US D713,085 S**
(45) **Date of Patent:** **** Sep. 9, 2014**

(54) **LIGHT FIXTURE**

(71) Applicant: **Quoizel, Inc.**, Goose Creek, SC (US)

(72) Inventor: **Sergio J. Orozco**, West New York, NJ (US)

(73) Assignee: **Quoizel, Inc.**, Goose Creek, SC (US)

(**) Term: **14 Years**

(21) Appl. No.: **29/443,434**

(22) Filed: **Jan. 17, 2013**

(51) **LOC (10) Cl.** **26-03**

(52) **U.S. Cl.**
USPC **D26/81**

(58) **Field of Classification Search**
USPC D26/72, 81, 143, 144; 362/147,
362/404-408

See application file for complete search history.

(56) **References Cited**

U.S. PATENT DOCUMENTS

D66,707 S	*	2/1925	Rosenblatt	D26/144
D71,517 S	*	11/1926	Geringer	D26/81
D366,714 S	*	1/1996	Porter	D26/81
D366,715 S	*	1/1996	Porter	D26/84
D386,281 S	*	11/1997	Hammar	D26/81
D403,794 S		1/1999	Orozco		
D415,302 S	*	10/1999	Porter et al.	D26/81
D416,346 S	*	11/1999	Palacios	D26/84
D416,642 S	*	11/1999	Palacios	D26/84
D417,304 S	*	11/1999	Palacios	D26/81
D417,521 S		12/1999	Orozco		
D425,648 S		5/2000	Orozco		
D441,895 S		5/2001	Orozco		
D444,904 S		7/2001	Orozco		
D445,529 S		7/2001	Orozco		
D453,229 S		1/2002	Phillips		
D453,389 S		2/2002	Phillips		

D453,581 S		2/2002	Orozco		
D453,972 S		2/2002	Phillips		
D510,638 S		10/2005	Orozco		
D517,722 S		3/2006	Orozco		
D534,295 S	*	12/2006	Chen	D26/81
D534,675 S	*	1/2007	Chen	D26/81
D584,845 S	*	1/2009	Chen	D26/81
D587,842 S		3/2009	Rhodes		
D606,230 S	*	12/2009	Puppa	D26/81
D665,118 S		8/2012	Lastimosa		
D665,941 S		8/2012	Orozco		

* cited by examiner

Primary Examiner — Clare E Heflin

(74) *Attorney, Agent, or Firm* — Nelson Mullins Riley & Scarborough, LLP

(57) **CLAIM**

The ornamental design for a light fixture, substantially as shown and described.

DESCRIPTION

FIG. 1 is a perspective view of a light fixture embodying the design of the present invention.

FIG. 2 is a front side elevational view of the light fixture illustrated in FIG. 1.

FIG. 3 is a back side elevational view of the light fixture illustrated in FIG. 1.

FIG. 4 is a left side elevational view of the light fixture illustrated in FIG. 1.

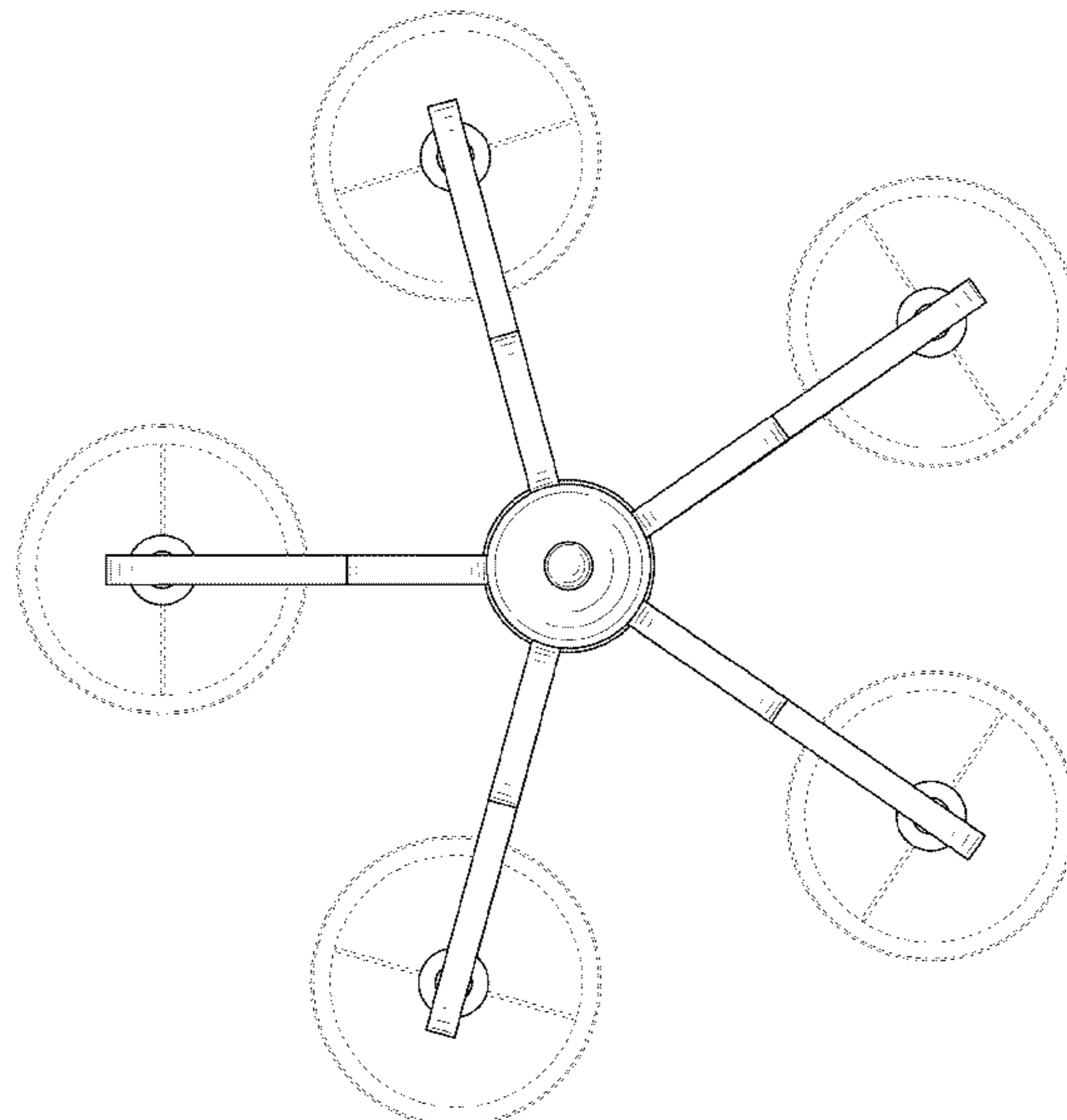
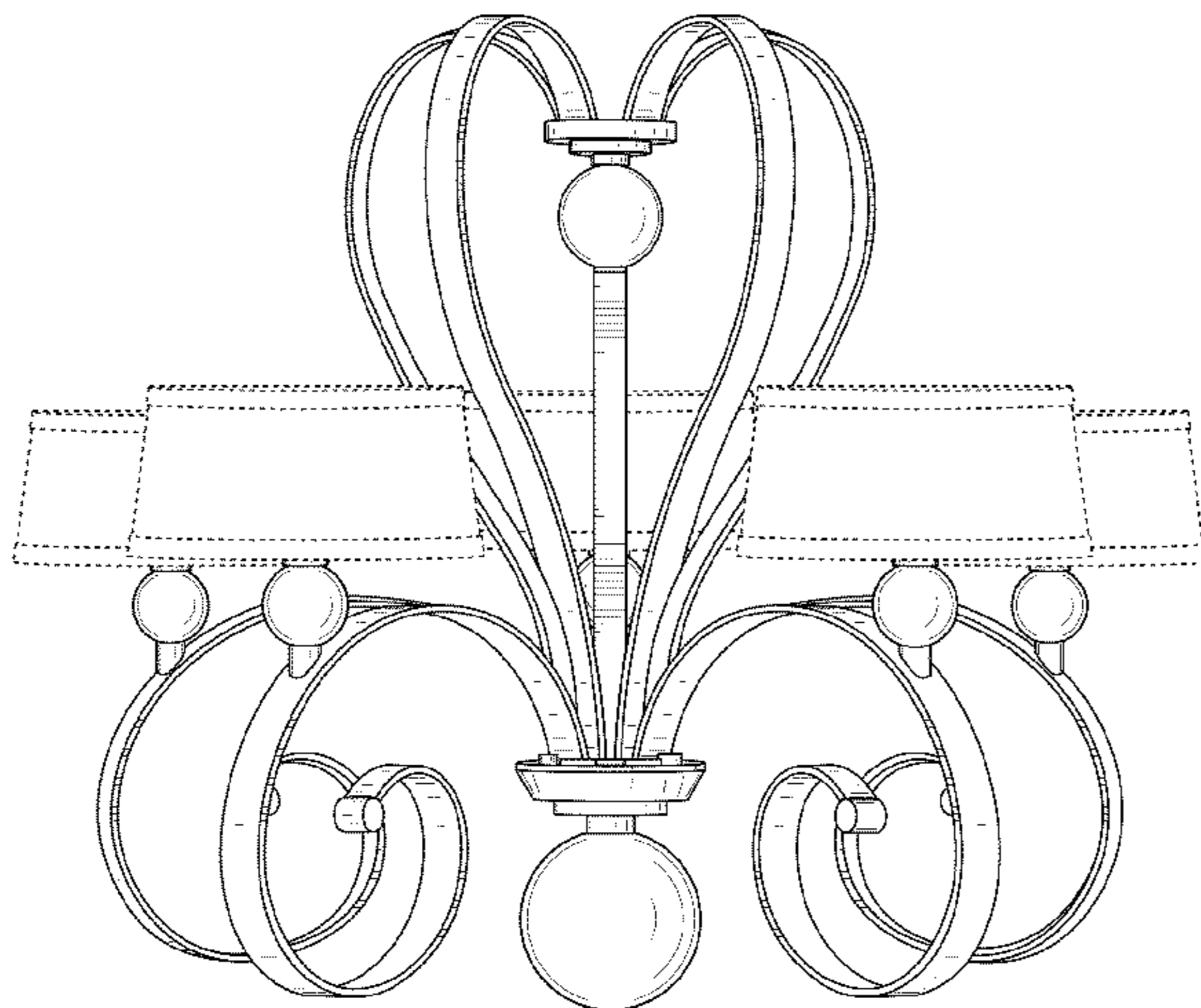
FIG. 5 is a right side elevational view of the light fixture illustrated in FIG. 1.

FIG. 6 is a top view of the light fixture illustrated in FIG. 1; and,

FIG. 7 is a bottom view of the light fixture illustrated in FIG. 1.

The portions shown in broken lines form no part of the claimed design.

1 Claim, 7 Drawing Sheets



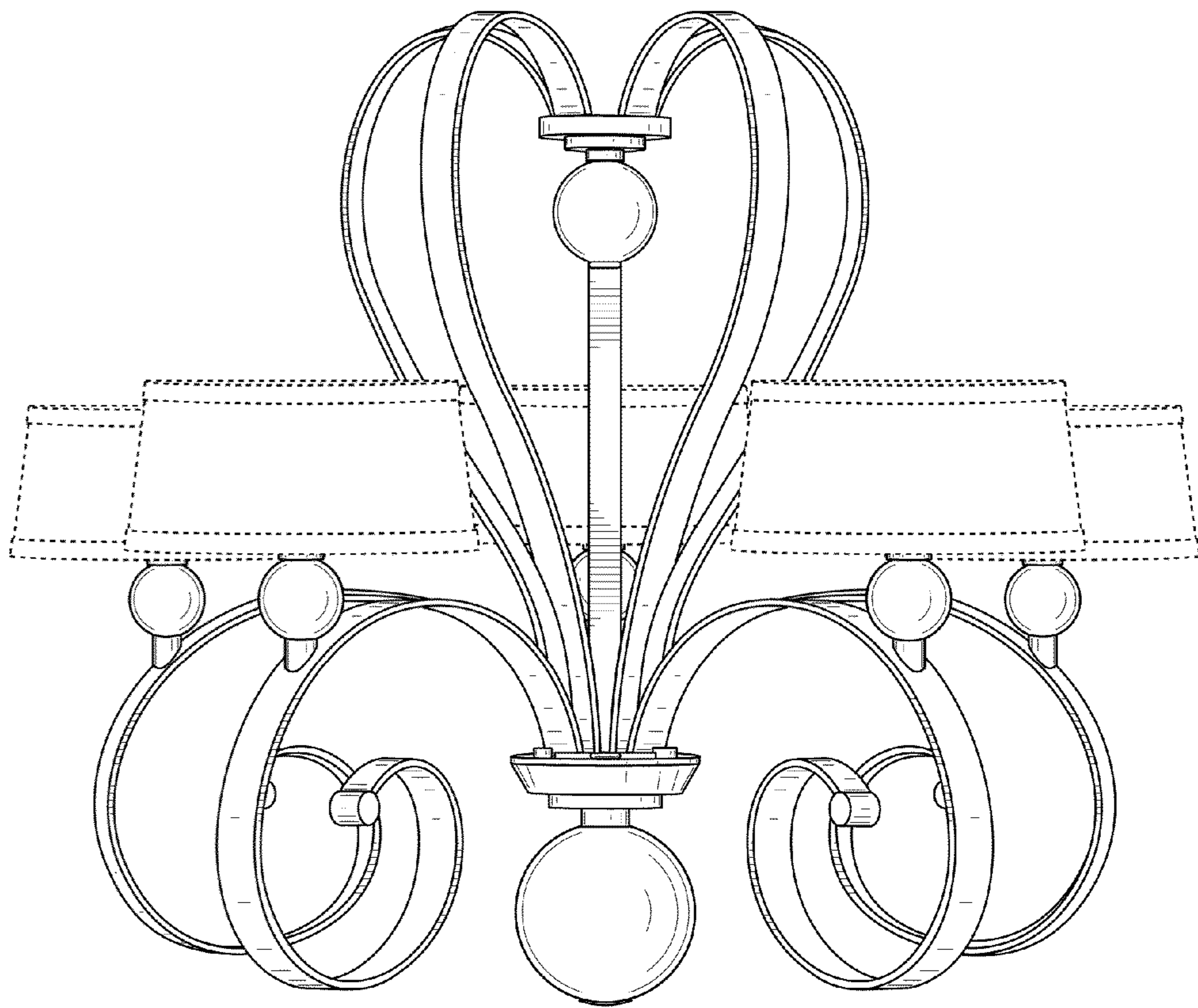


FIG. 1

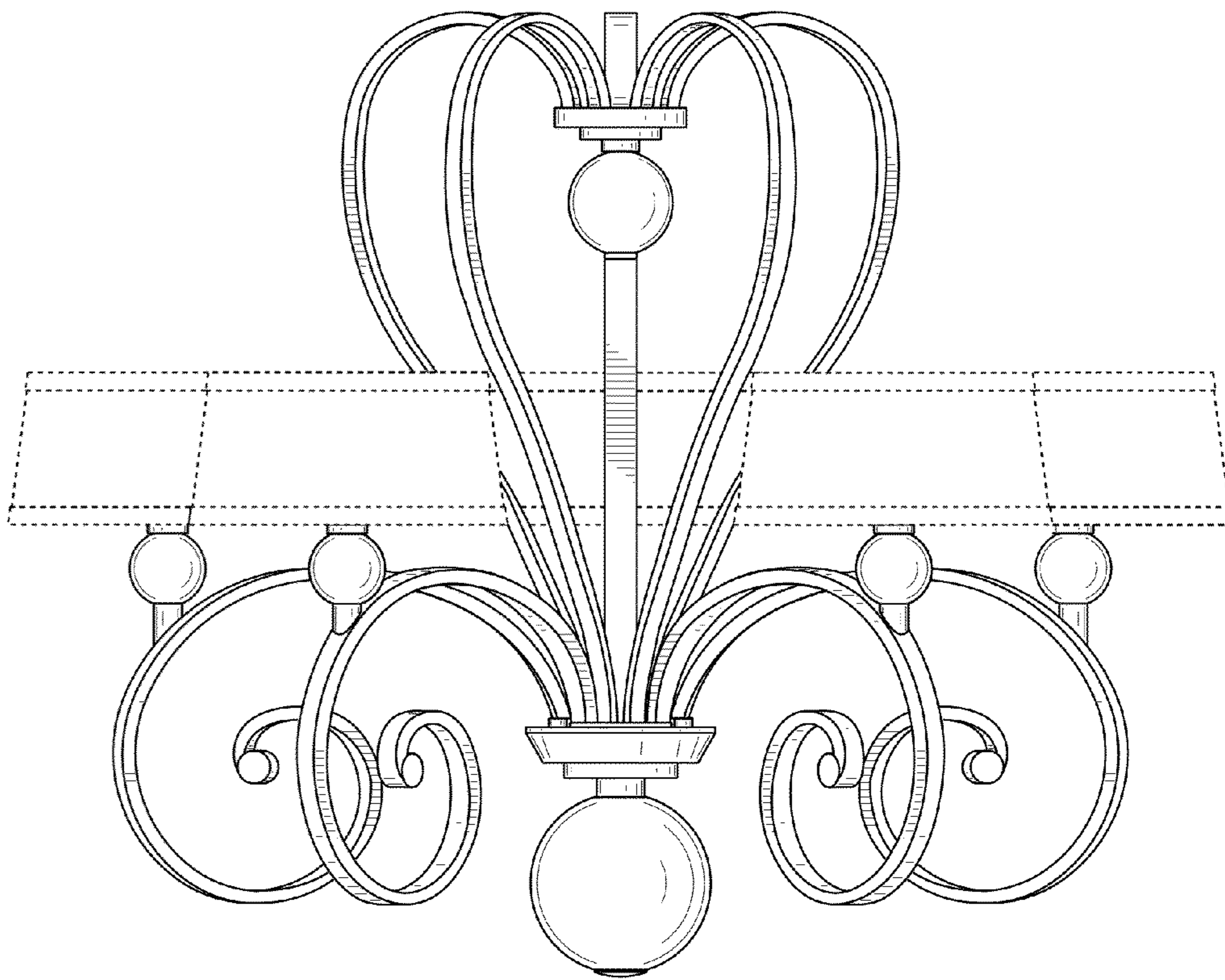


FIG. 2

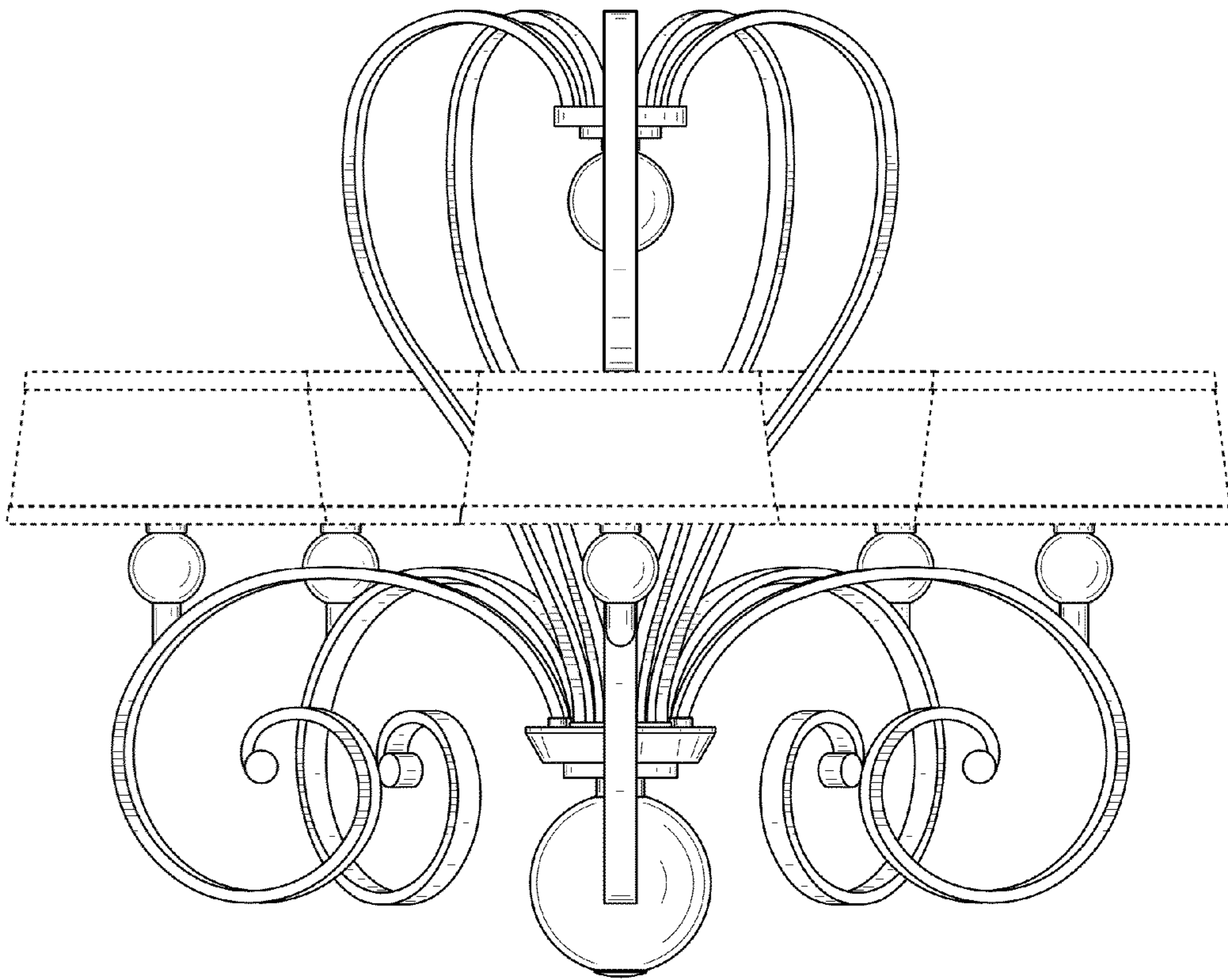


FIG. 3

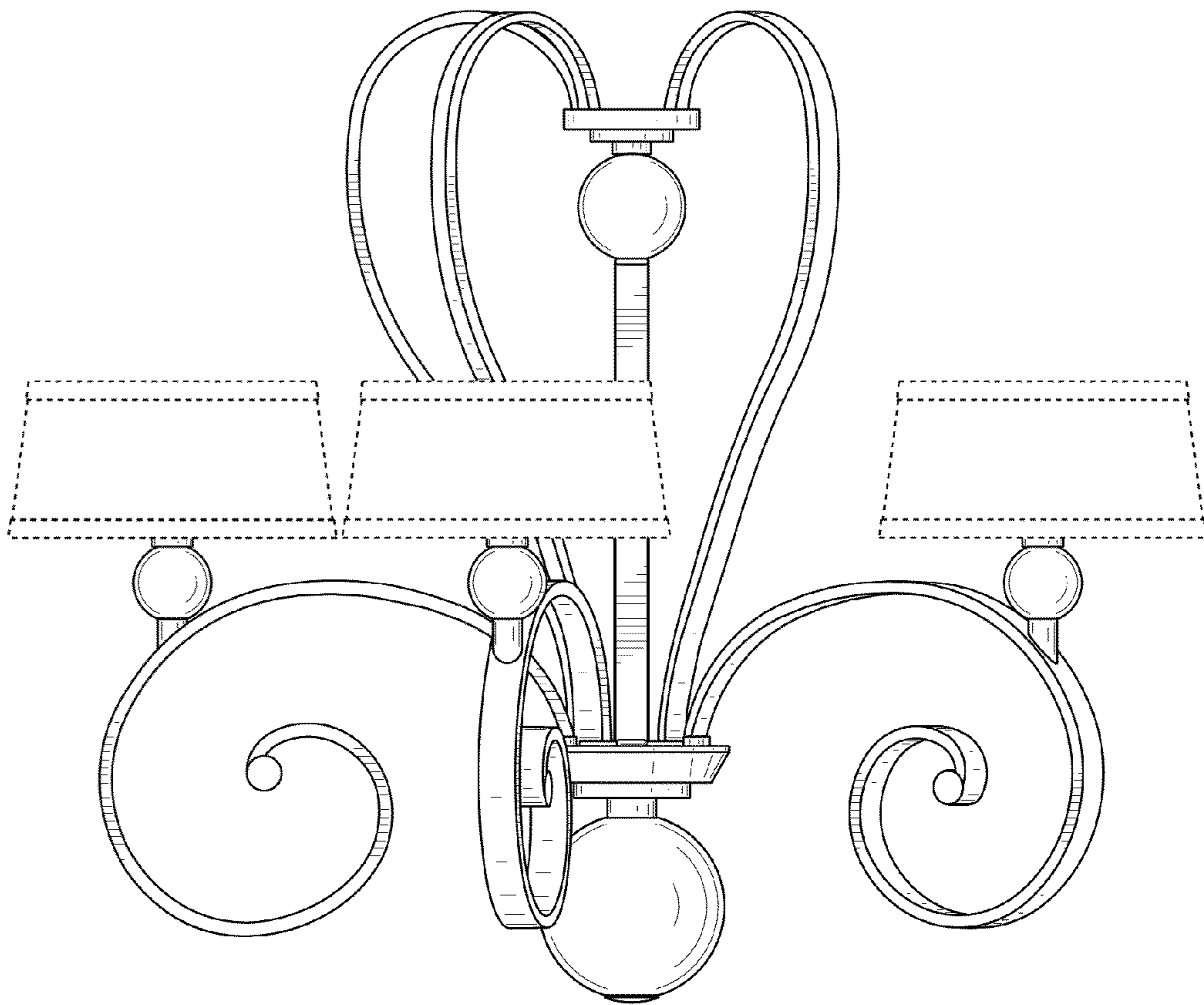


FIG. 4

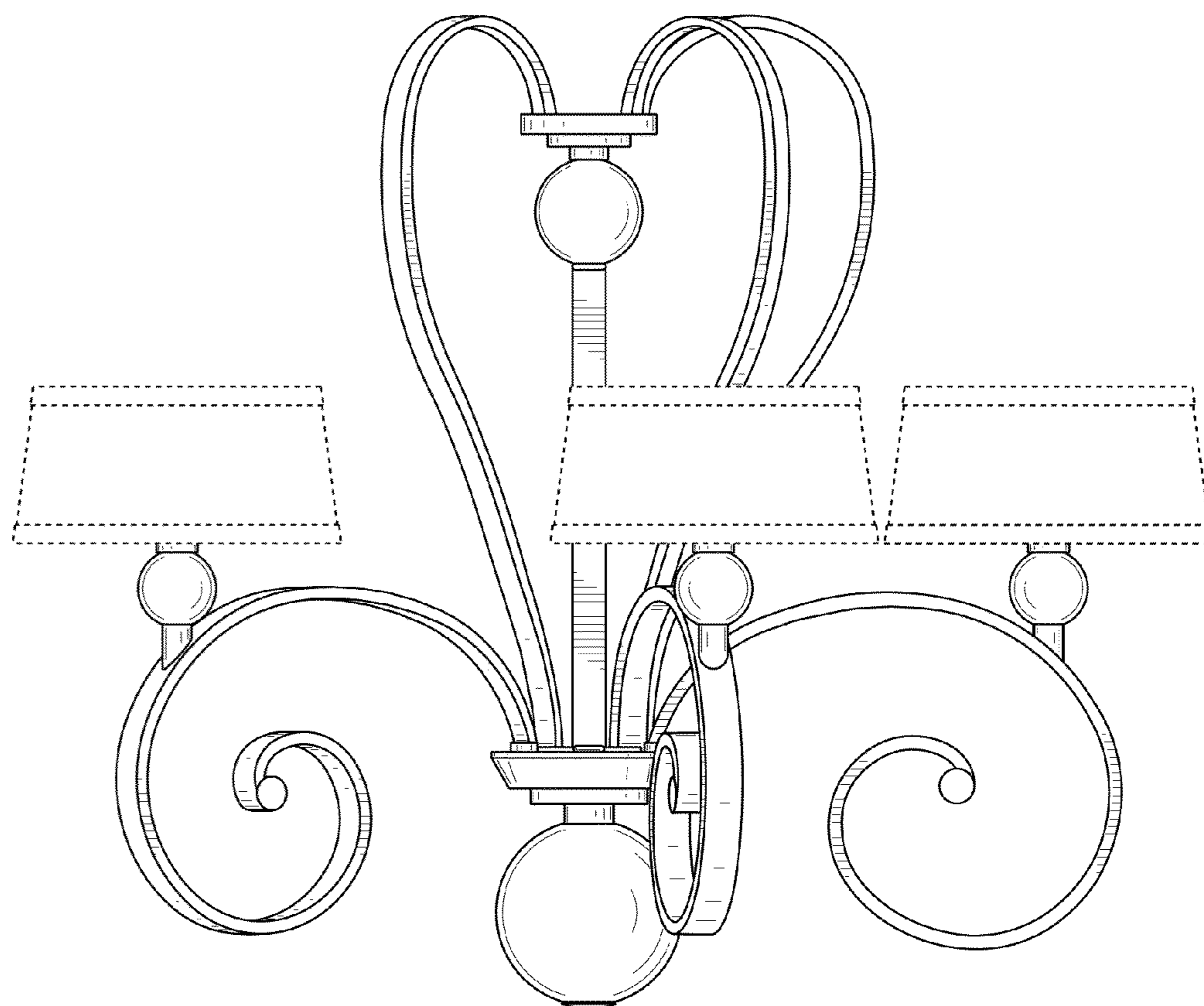


FIG. 5

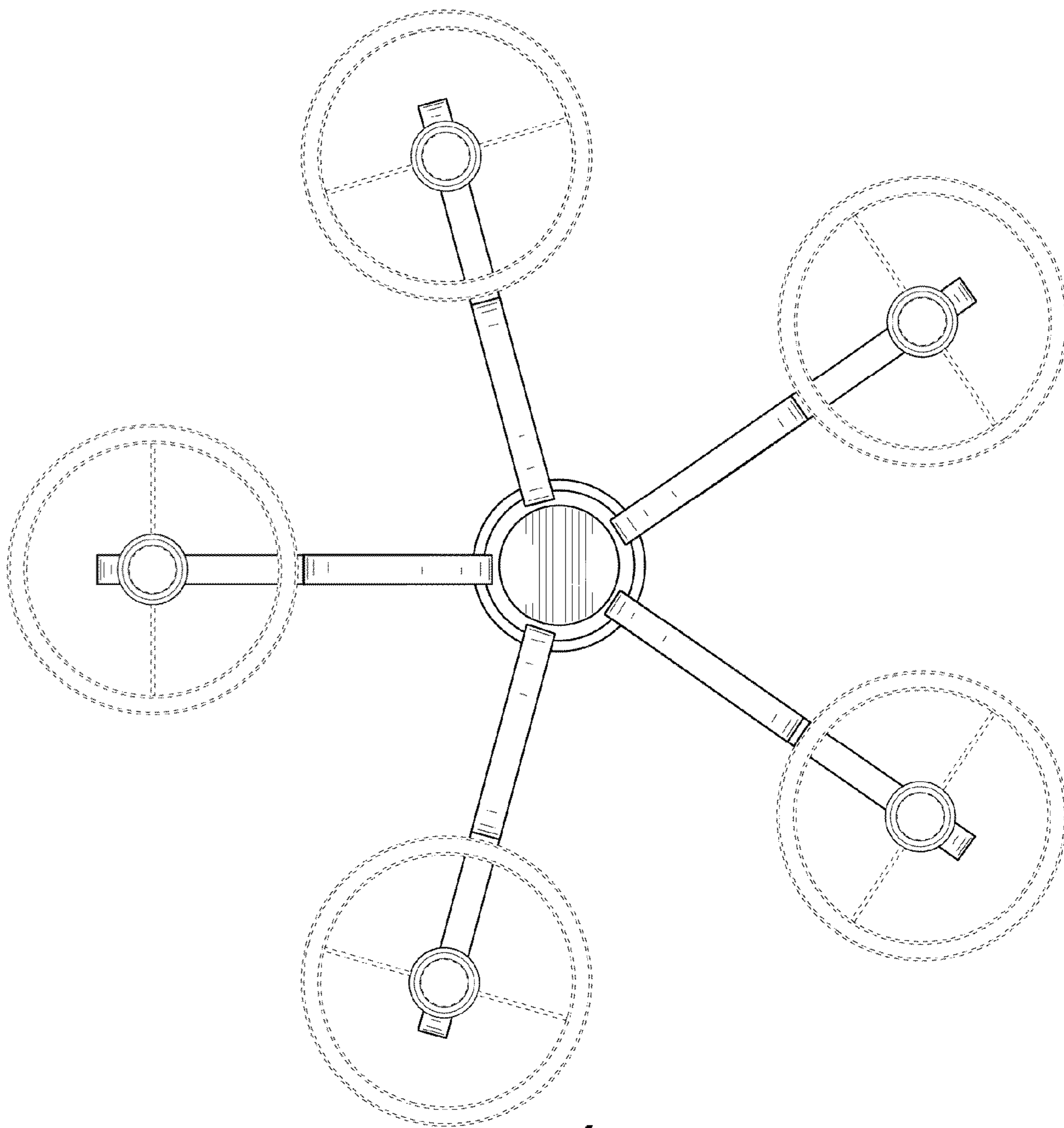


FIG. 6

