

US00D713083S

(12) **United States Design Patent**  
**Skutch**

(10) **Patent No.:** **US D713,083 S**

(45) **Date of Patent:** **\*\* Sep. 9, 2014**

(54) **SOLAR POWERED LIGHT**

(71) Applicant: **Steven N. Skutch**, Ottawa Hills, OH  
(US)

(72) Inventor: **Steven N. Skutch**, Ottawa Hills, OH  
(US)

(\*\*) Term: **14 Years**

(21) Appl. No.: **29/482,605**

(22) Filed: **Feb. 20, 2014**

**Related U.S. Application Data**

(62) Division of application No. 29/445,629, filed on Feb. 14, 2013, now Pat. No. Des. 700,729.

(51) **LOC (10) Cl.** ..... **26-05**

(52) **U.S. Cl.**  
USPC ..... **D26/67; D26/73**

(58) **Field of Classification Search**  
USPC ..... D26/8, 67-72, 114, 116, 118, 25, 26,  
D26/60, 73, 94, 95, 97, 98, 125; 362/121,  
362/145, 183, 431, 124, 644, 653;  
D11/131, 157, 158, 162, 163

See application file for complete search history.

(56) **References Cited**

U.S. PATENT DOCUMENTS

D226,676	S	*	4/1973	Felsen et al.	.....	D26/94
D311,594	S	*	10/1990	Medina	.....	D26/47
D360,272	S	*	7/1995	Chur	.....	D26/94
D411,319	S	*	6/1999	Baker	.....	D26/25
D418,935	S	*	1/2000	Gilbert et al.	.....	D26/68
D435,921	S	*	1/2001	Braley et al.	.....	D26/25
D473,334	S	*	4/2003	Conser	.....	D26/94
D546,998	S	*	7/2007	Nunes	.....	D26/73
8,167,448	B1	*	5/2012	Borrows	.....	362/106

\* cited by examiner

*Primary Examiner* — Clare E Heflin

(74) *Attorney, Agent, or Firm* — MacMillan, Sobanski & Todd, LLC

(57) **CLAIM**

The ornamental design for a solar powered light, as shown.

**DESCRIPTION**

FIG. 1 is a perspective view of a solar powered light embodying my design.

FIG. 2 is a front side elevational view thereof.

FIG. 3 is a right side elevational view thereof.

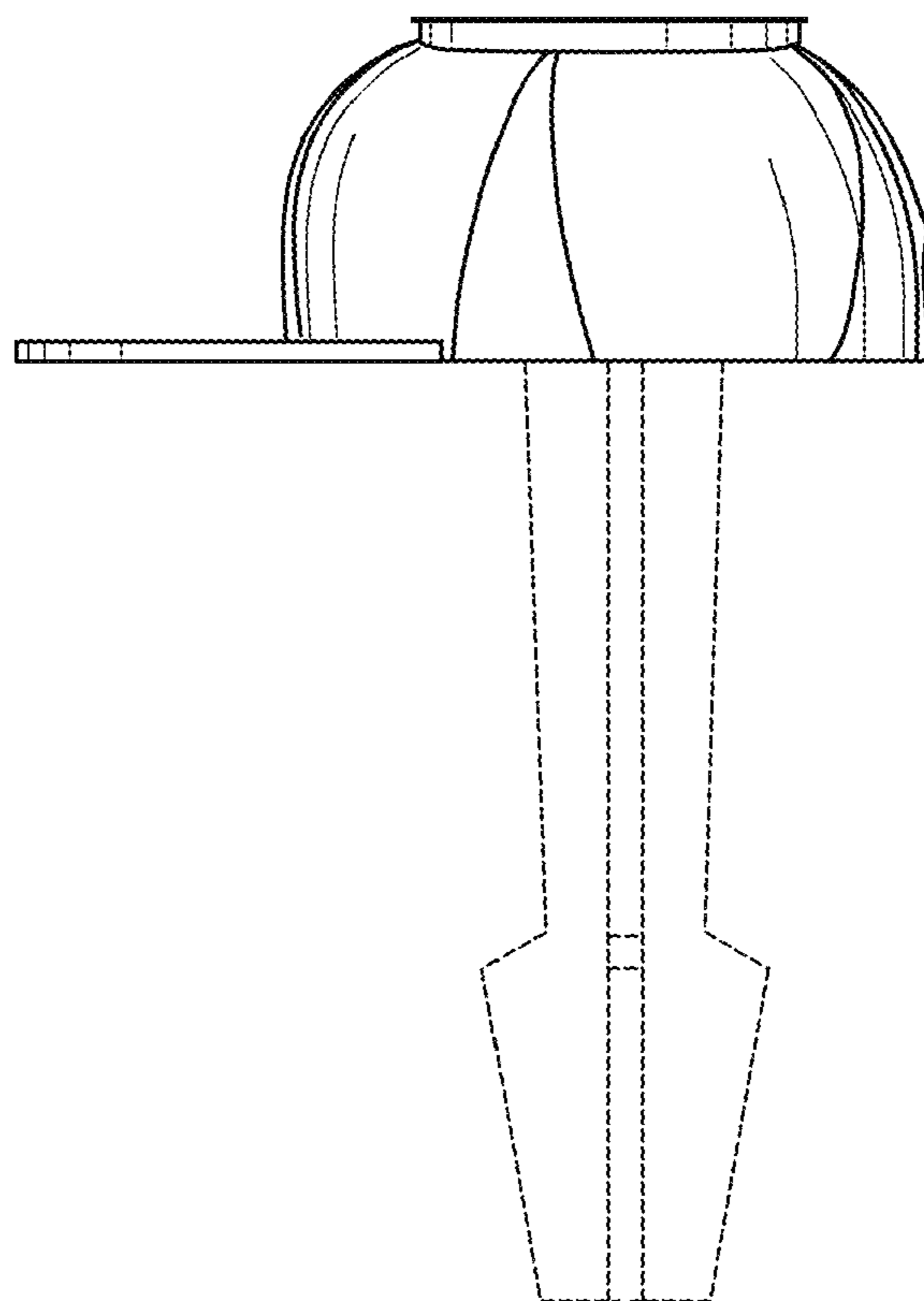
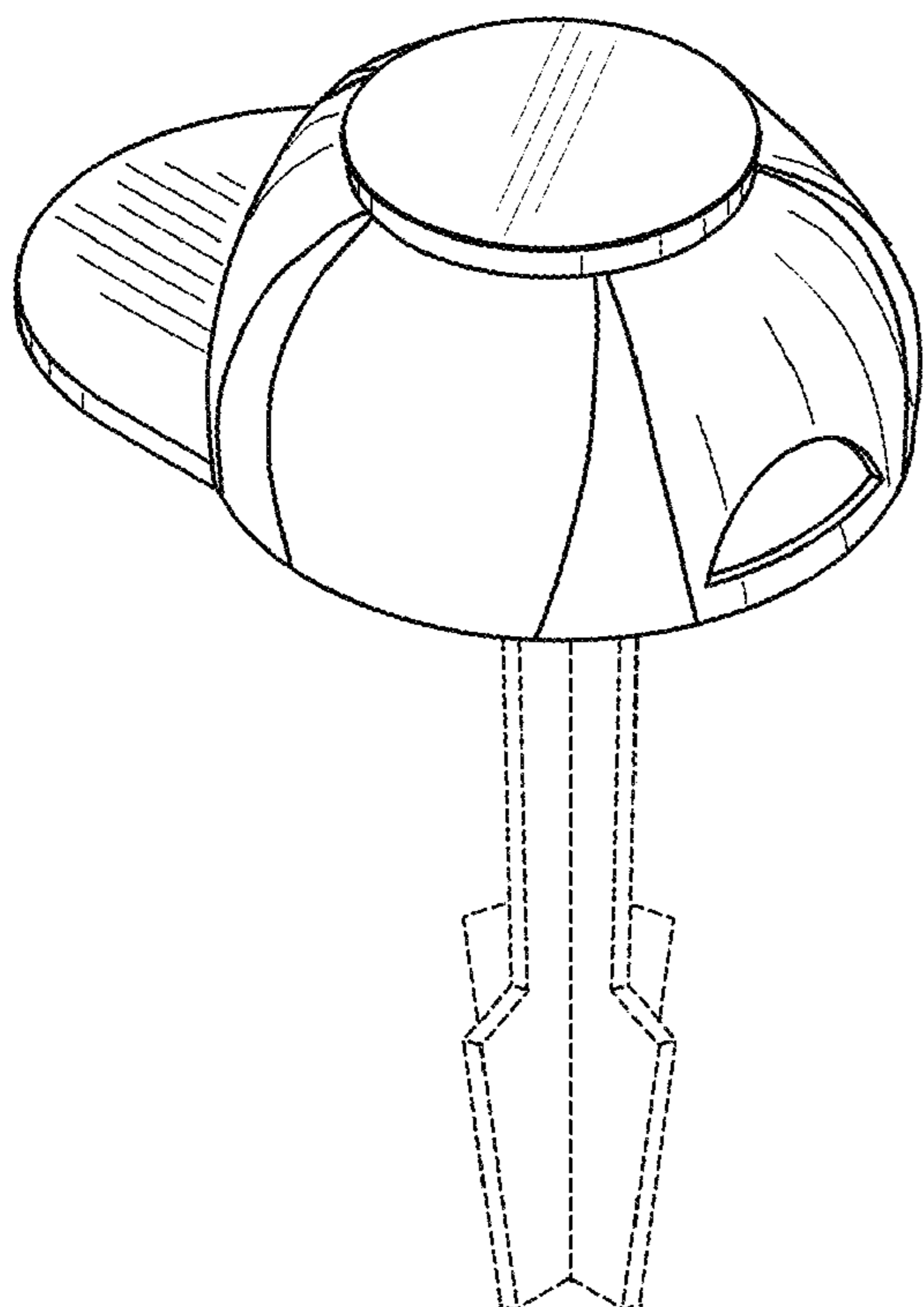
FIG. 4 is a rear side elevational view thereof.

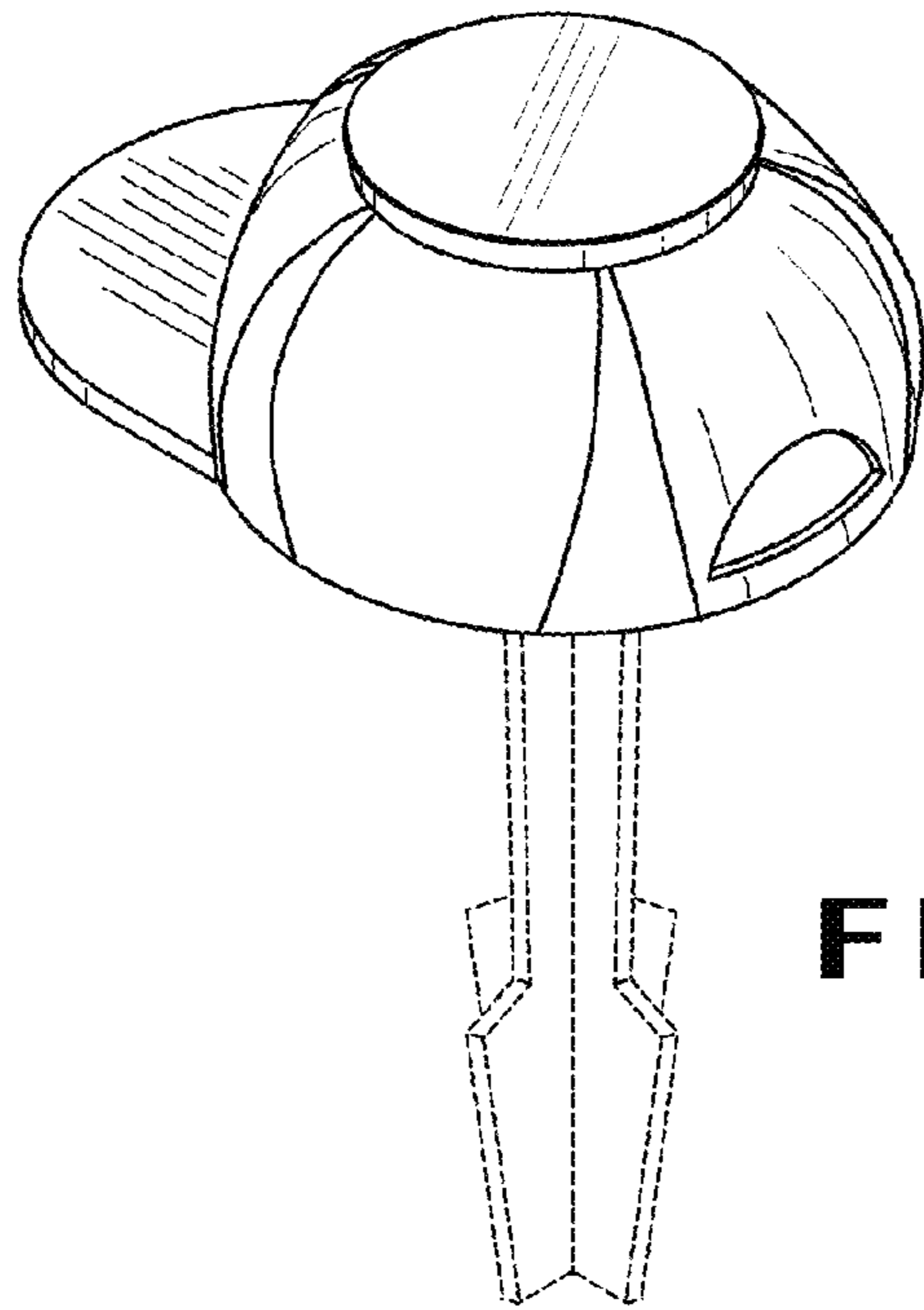
FIG. 5 is a top plan view thereof; and,

FIG. 6 is a bottom plan view thereof.

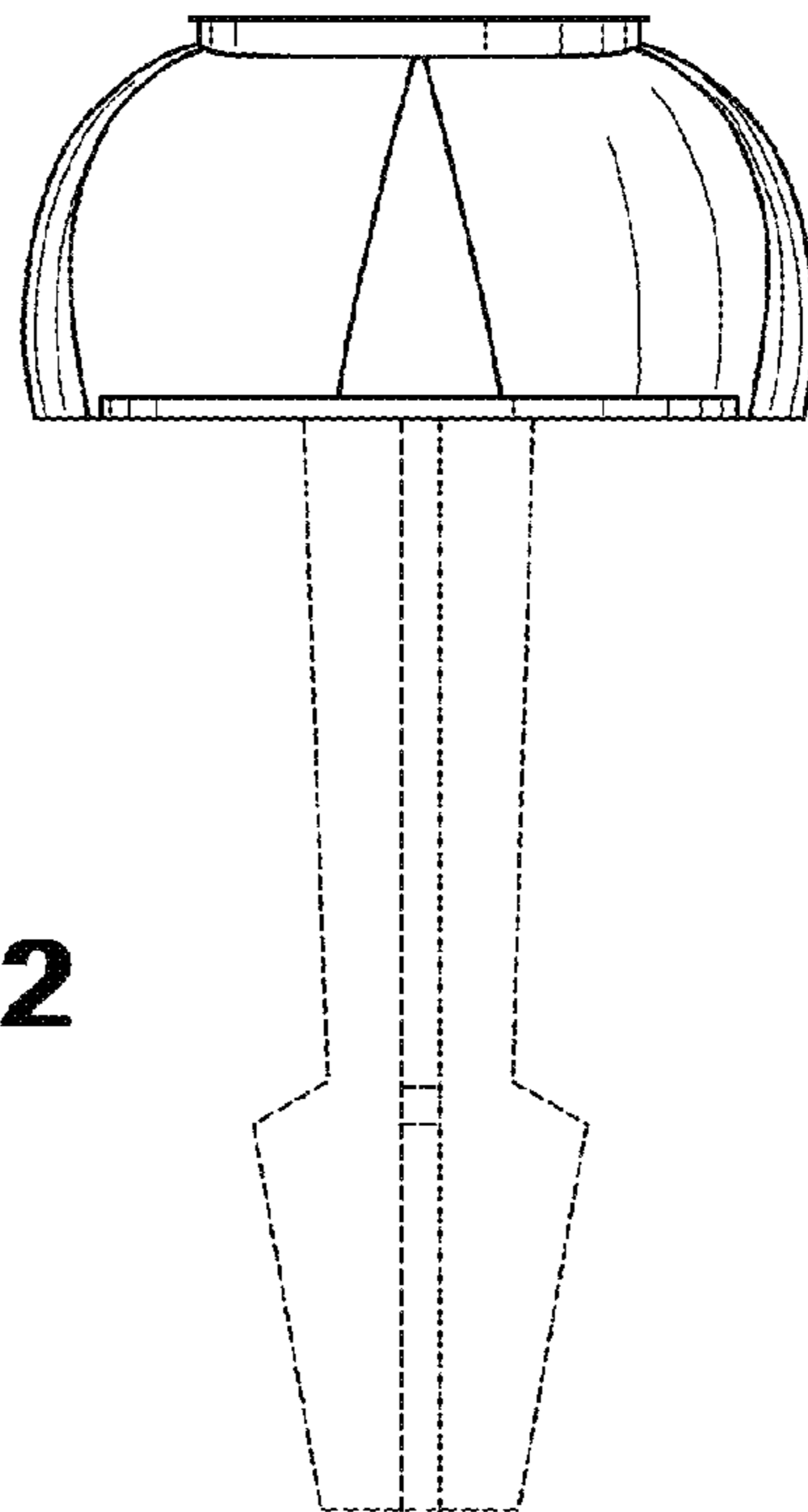
The broken lines shown on the drawings depict portions of the solar powered light that form no part of the claimed design.

**1 Claim, 3 Drawing Sheets**

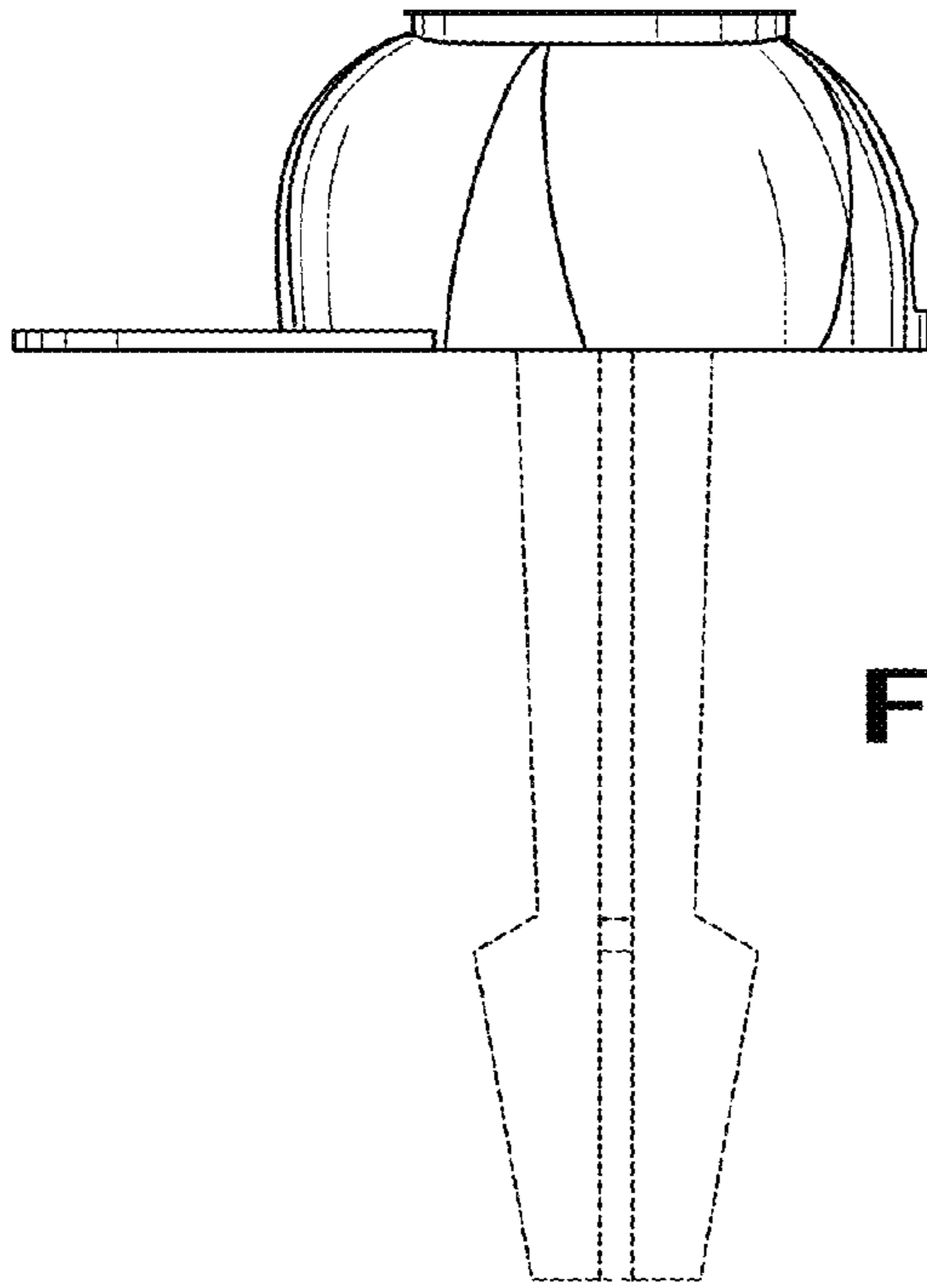




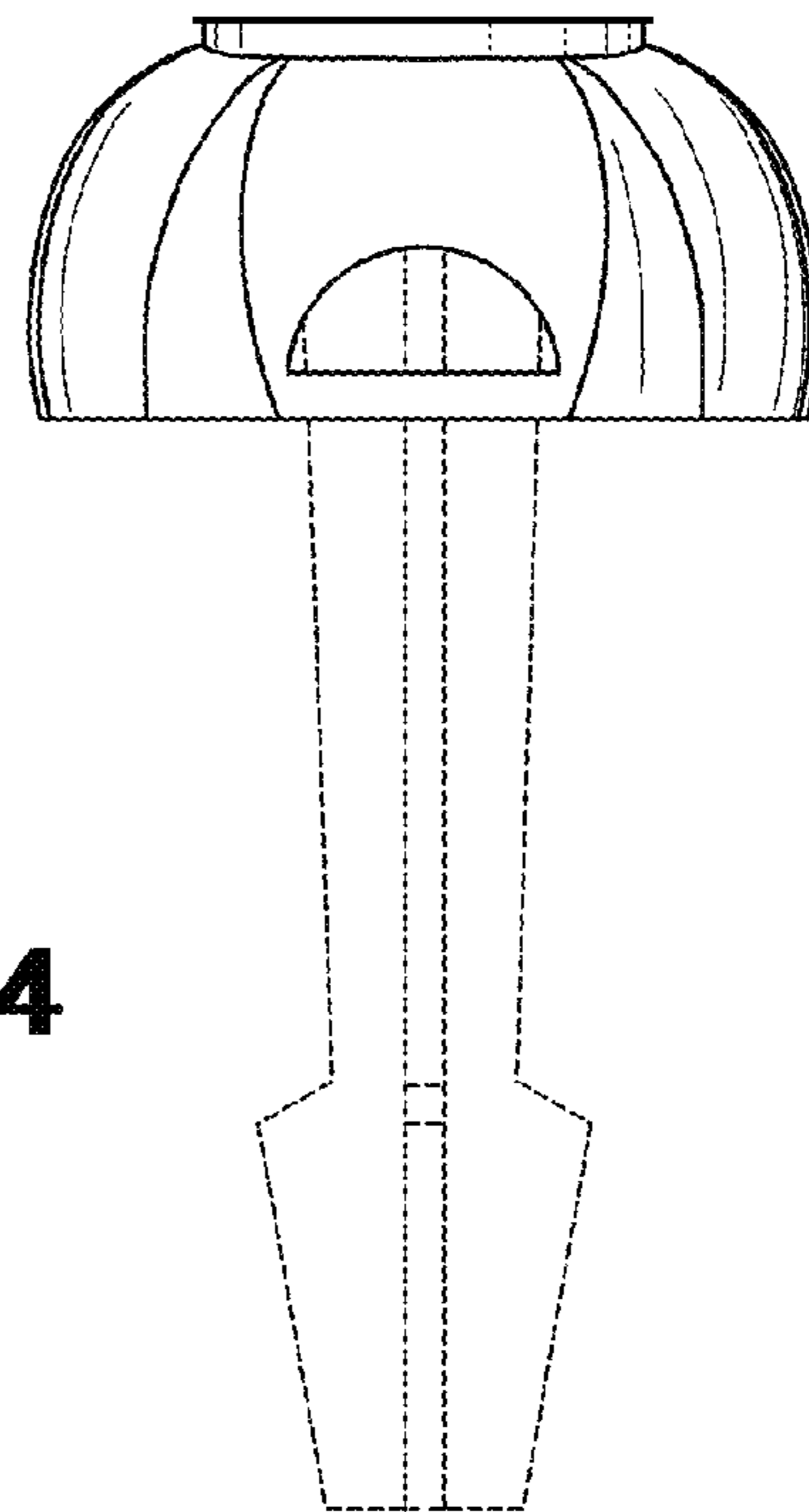
**FIG. 1**



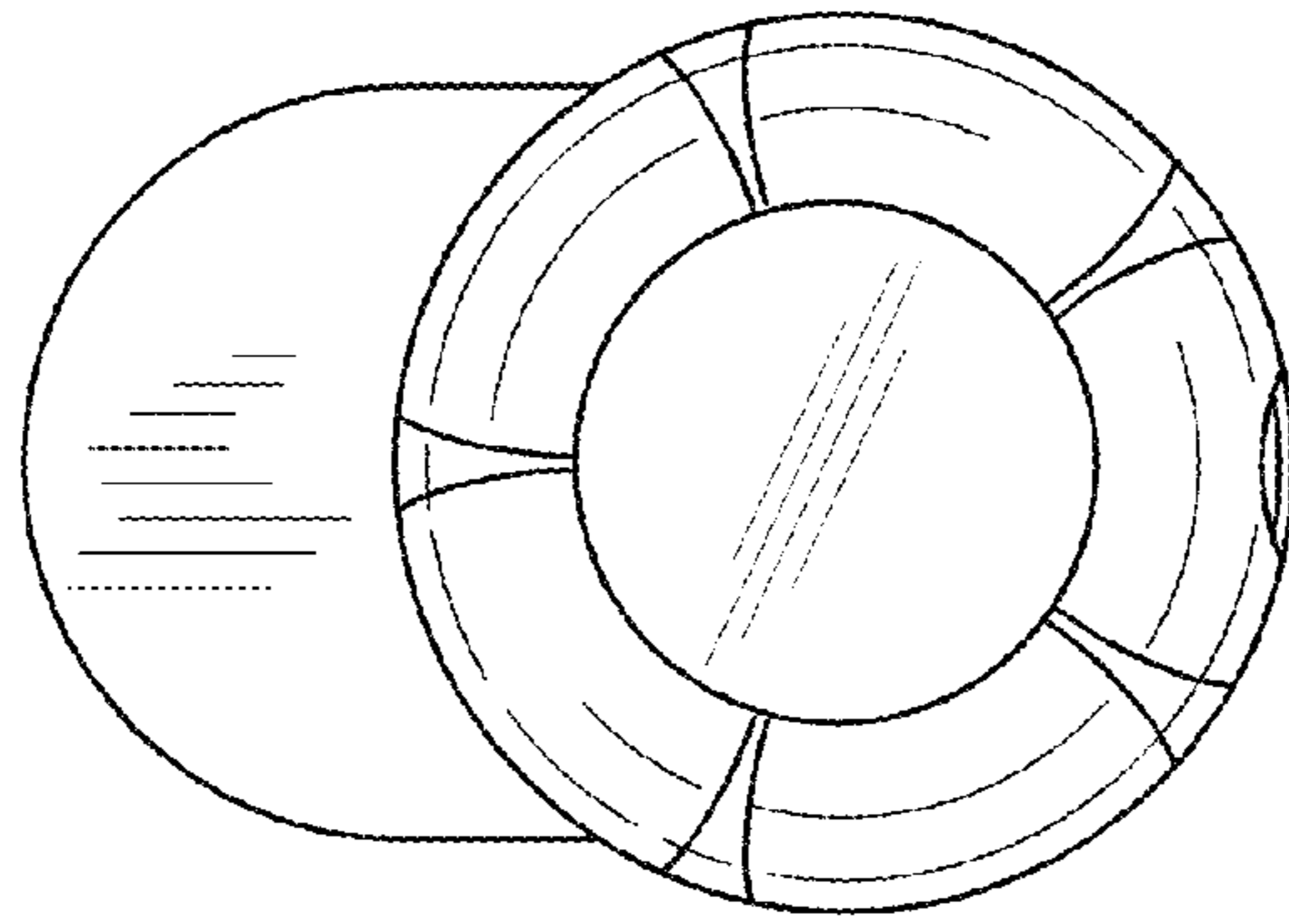
**FIG. 2**



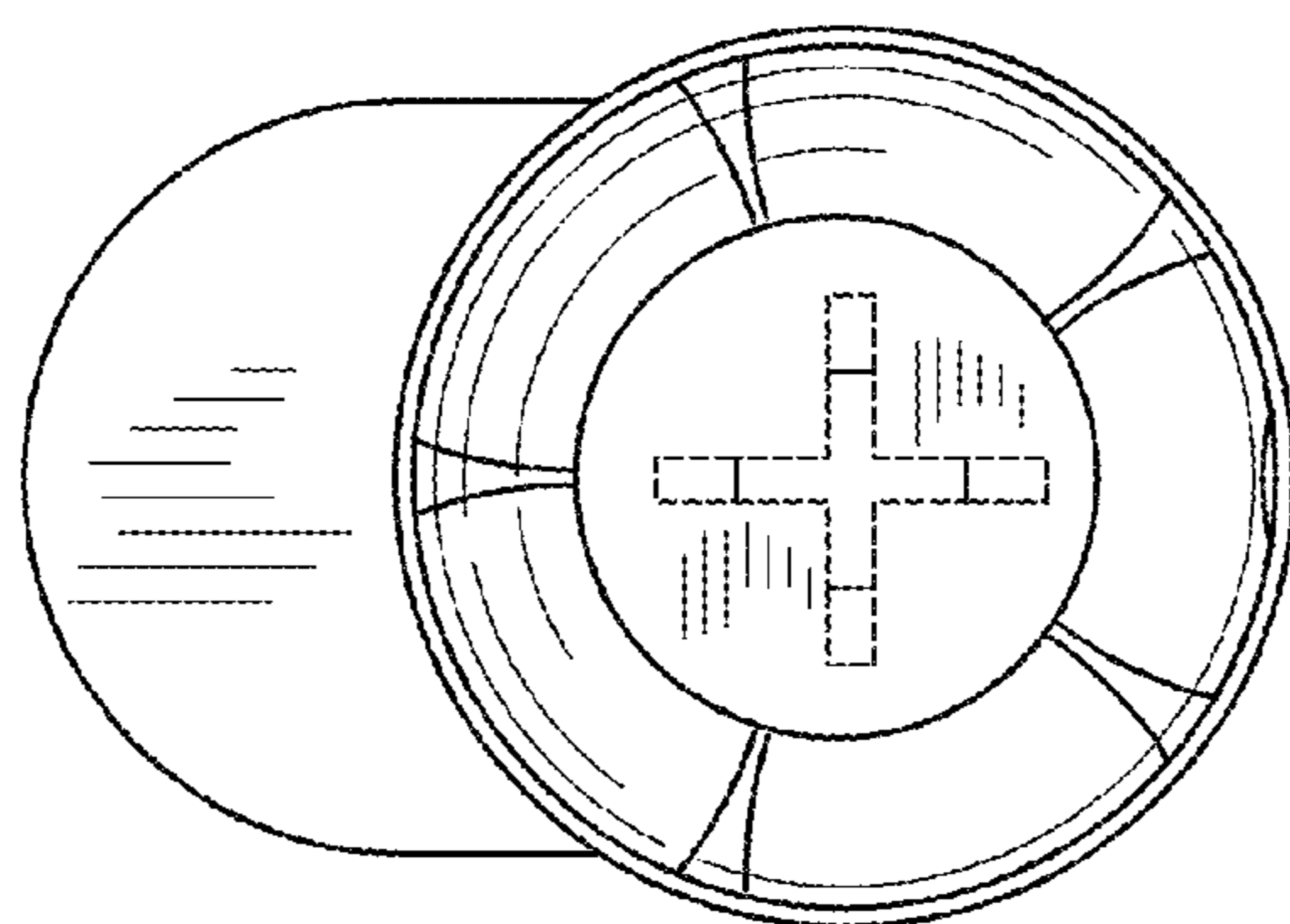
**FIG. 3**



**FIG. 4**



**FIG. 5**



**FIG. 6**