



US00D713081S

(12) **United States Design Patent**  
**Scarlata et al.**

(10) **Patent No.:** **US D713,081 S**

(45) **Date of Patent:** **\*\* Sep. 9, 2014**

(54) **FLOODLIGHT**

(71) Applicants: **Andrew Francis Scarlata**, West  
Monroe, NY (US); **Graig Edmund**  
**DeCarr**, Cicero, NY (US)

(72) Inventors: **Andrew Francis Scarlata**, West  
Monroe, NY (US); **Graig Edmund**  
**DeCarr**, Cicero, NY (US)

(73) Assignee: **Cooper Technologies Company**,  
Houston, TX (US)

(\*\*) Term: **14 Years**

(21) Appl. No.: **29/479,045**

(22) Filed: **Jan. 10, 2014**

(51) **LOC (10) Cl.** ..... **26-05**

(52) **U.S. Cl.**  
USPC ..... **D26/65**

(58) **Field of Classification Search**  
CPC ..... F21Y 2103/002; F21Y 2101/02; F21S  
10/00; F21V 21/30; F21V 14/02; F21V 21/00  
USPC ..... D26/60-66, 72, 85, 87, 92, 86, 102;  
362/145, 147, 269-271, 277, 282, 285,  
362/289, 287, 640, 418, 427, 264, 294, 449,  
362/268, 310, 311.01, 371-373  
See application file for complete search history.

(56) **References Cited**

**U.S. PATENT DOCUMENTS**

D322,135 S \* 12/1991 Wierzbicki et al. .... D26/63

D645,184 S *	9/2011	Zhan .....	D26/63
D690,857 S *	10/2013	Blincoe et al. ....	D26/63
D693,397 S *	11/2013	Zhan .....	D26/63
D693,508 S *	11/2013	Fletcher et al. ....	D26/63
D695,435 S *	12/2013	Pedersen .....	D26/63
D699,877 S *	2/2014	Song et al. ....	D26/63
D700,726 S *	3/2014	Kim et al. ....	D26/63
D702,387 S *	4/2014	Pedersen .....	D26/63
D702,865 S *	4/2014	Yuen .....	D26/63
D704,370 S *	5/2014	Su .....	D26/63

\* cited by examiner

*Primary Examiner* — Brian N Vinson

(74) *Attorney, Agent, or Firm* — King & Spalding LLP

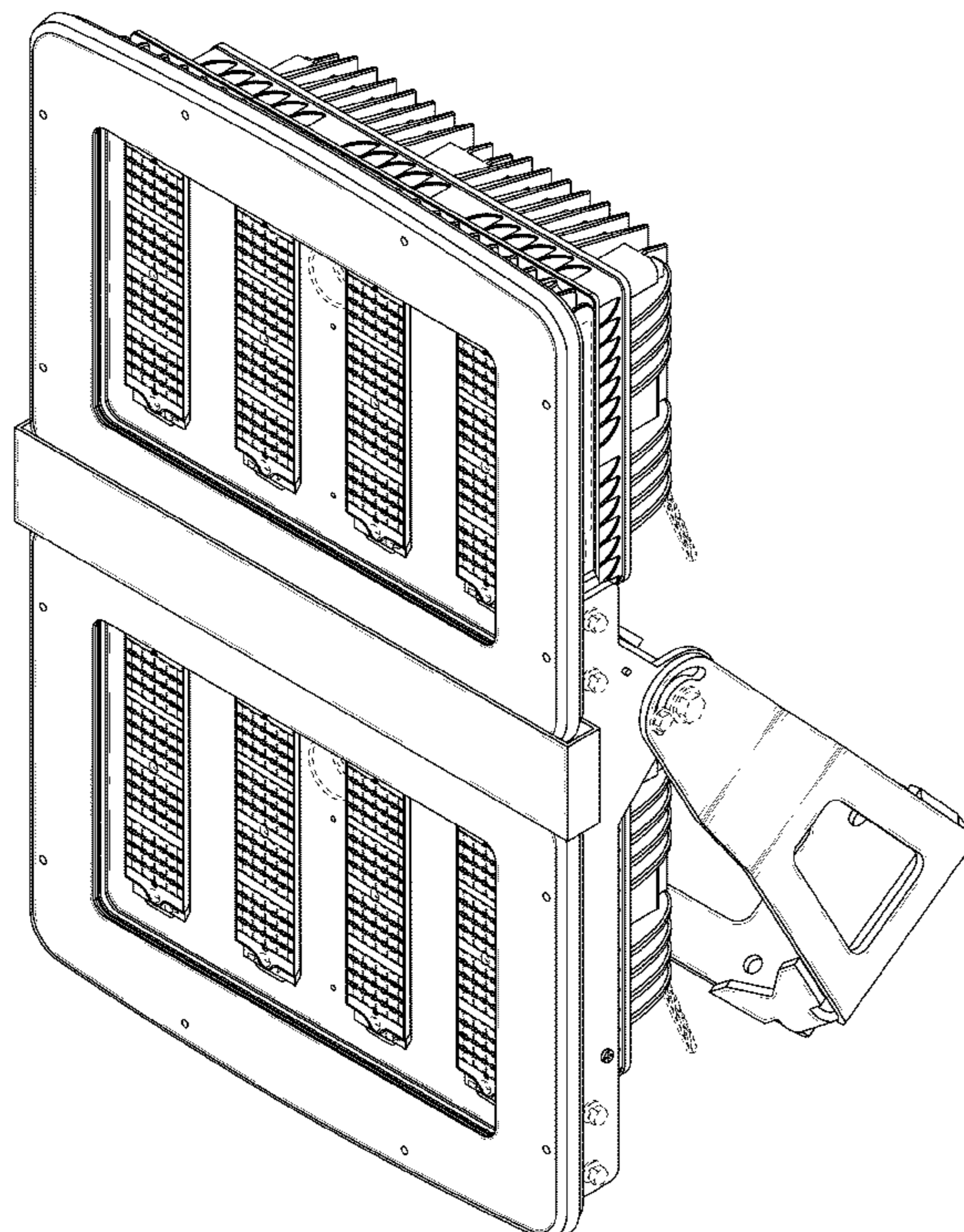
(57) **CLAIM**

The ornamental design for a floodlight, as shown and described.

**DESCRIPTION**

FIG. 1 is a front perspective view of a floodlight, showing our new design;  
FIG. 2 is a rear perspective view thereof;  
FIG. 3 is a front elevation view thereof;  
FIG. 4 is a rear elevation view thereof;  
FIG. 5 is a left-side elevation view thereof;  
FIG. 6 is a right-side elevation view thereof;  
FIG. 7 is a top elevation view thereof; and,  
FIG. 8 is a bottom elevation view thereof.  
The broken lines shown represent unclaimed subject matter and form no part of the claimed design.

**1 Claim, 8 Drawing Sheets**





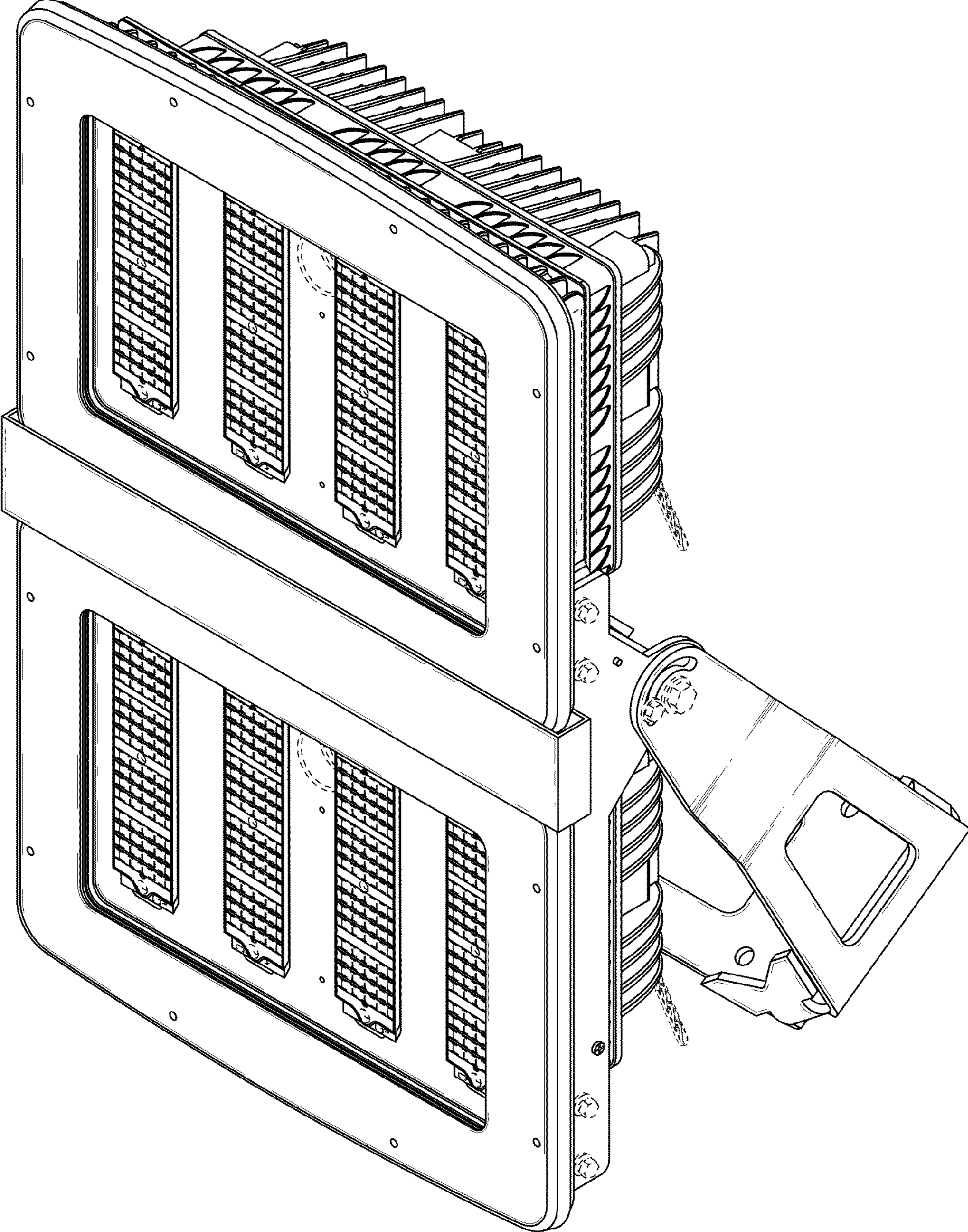


FIG. 1



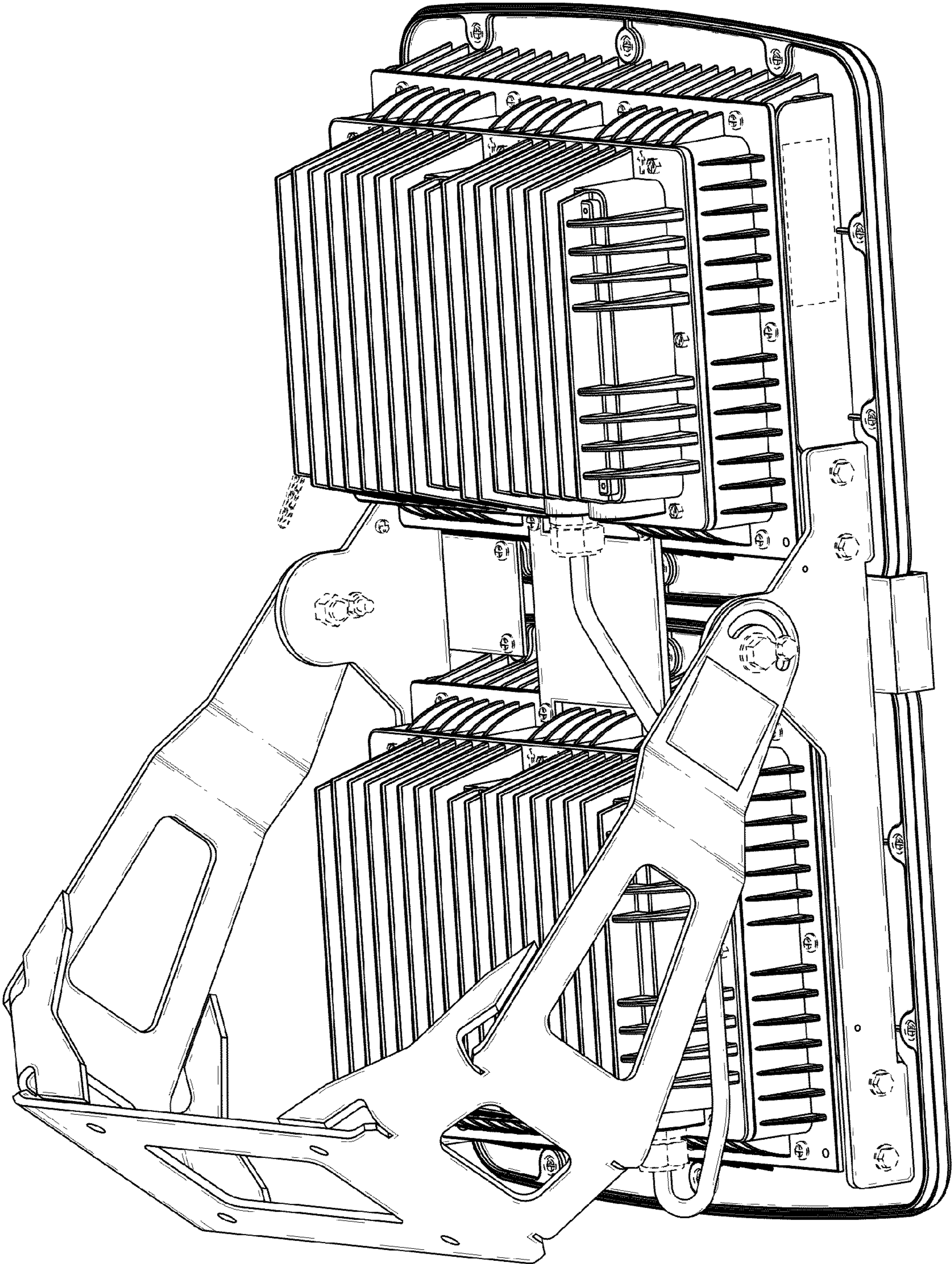


FIG. 2



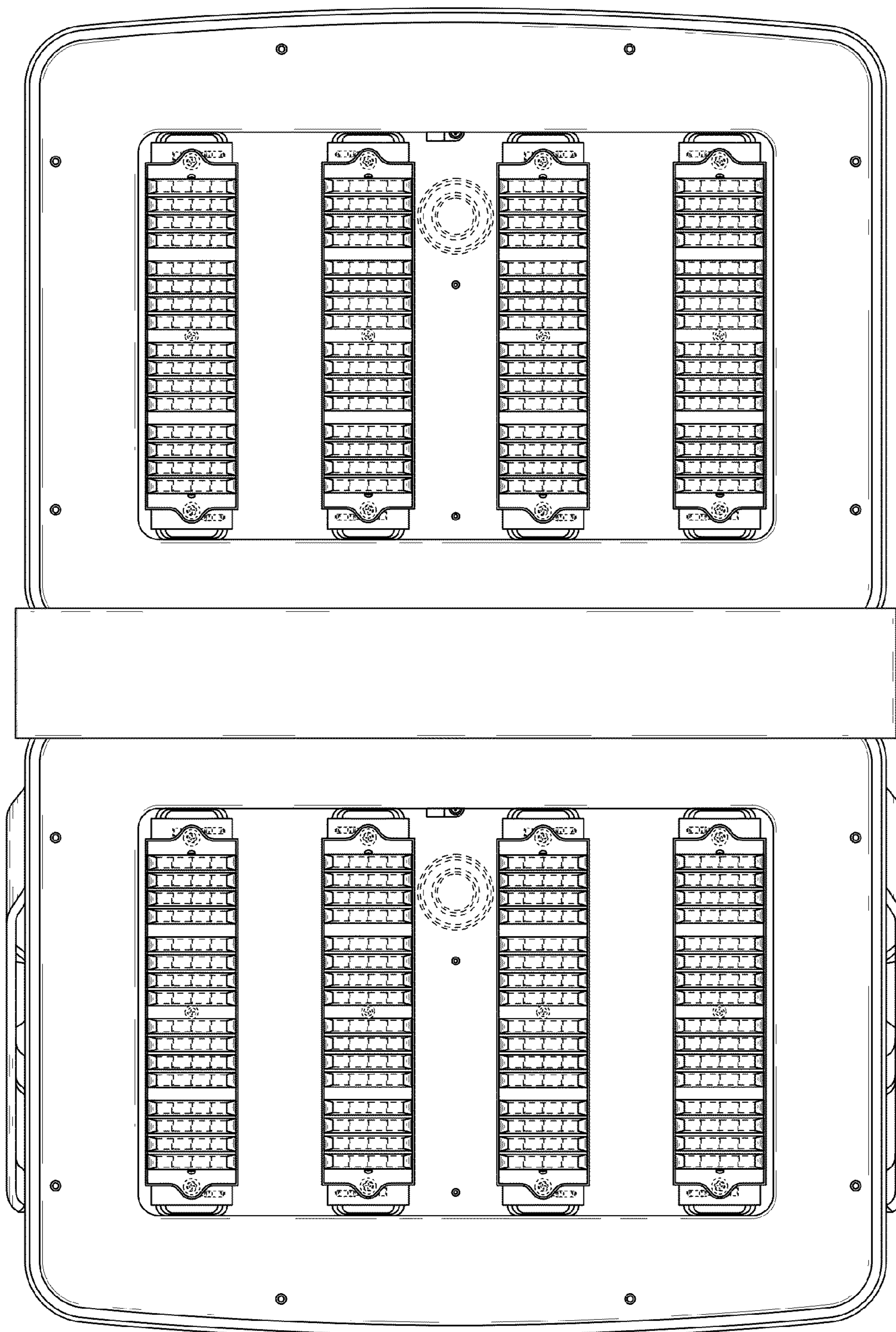


FIG. 3



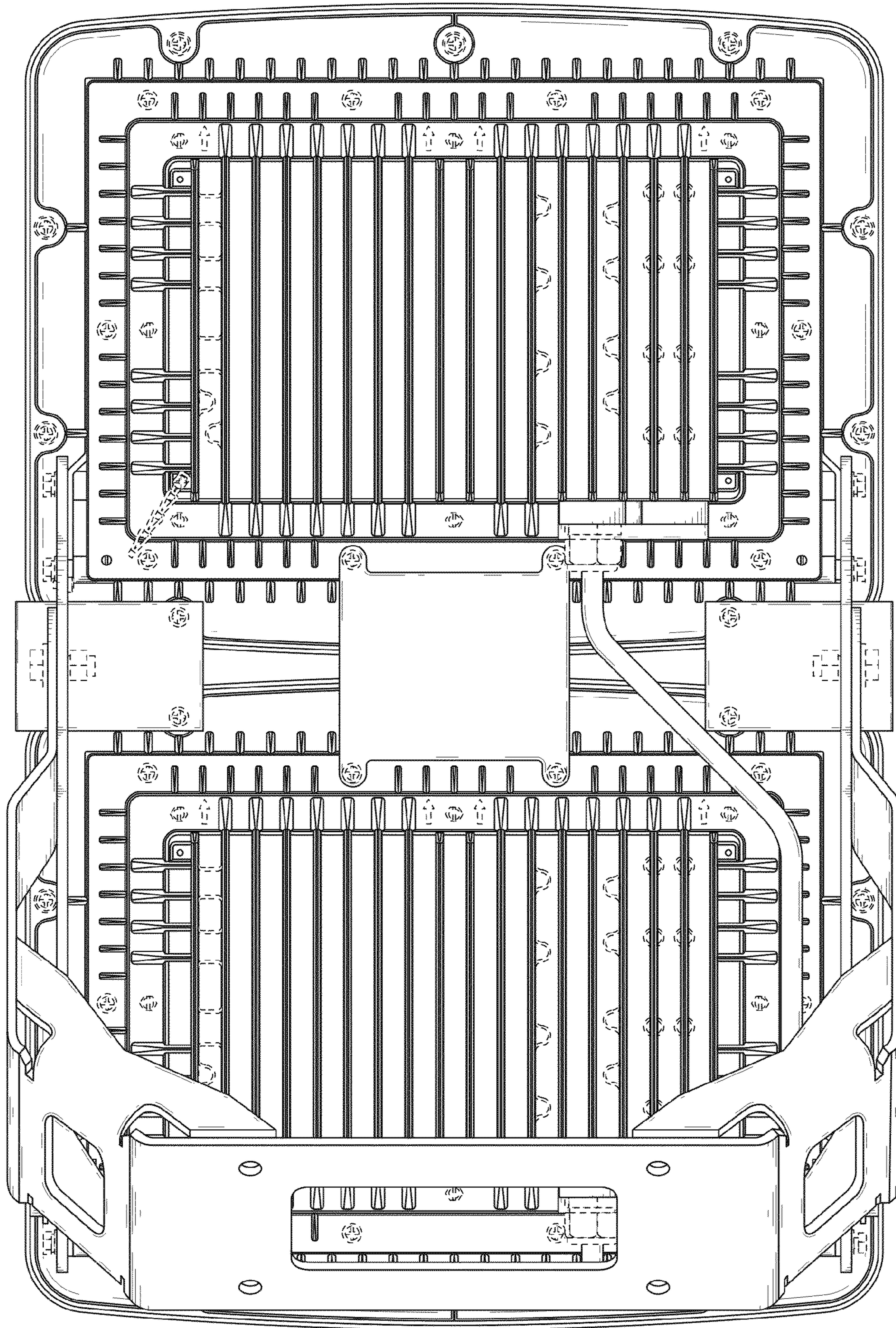


FIG. 4



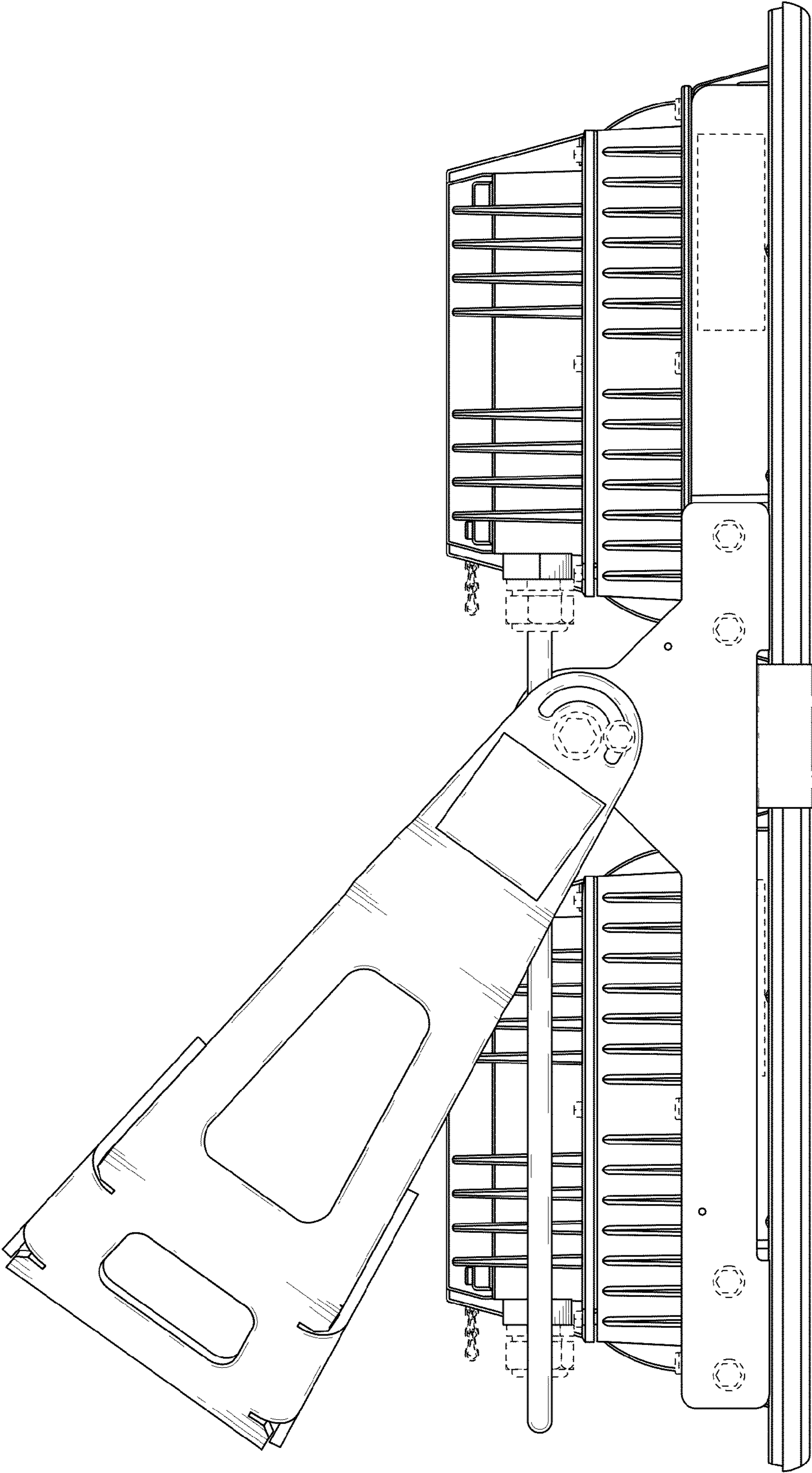
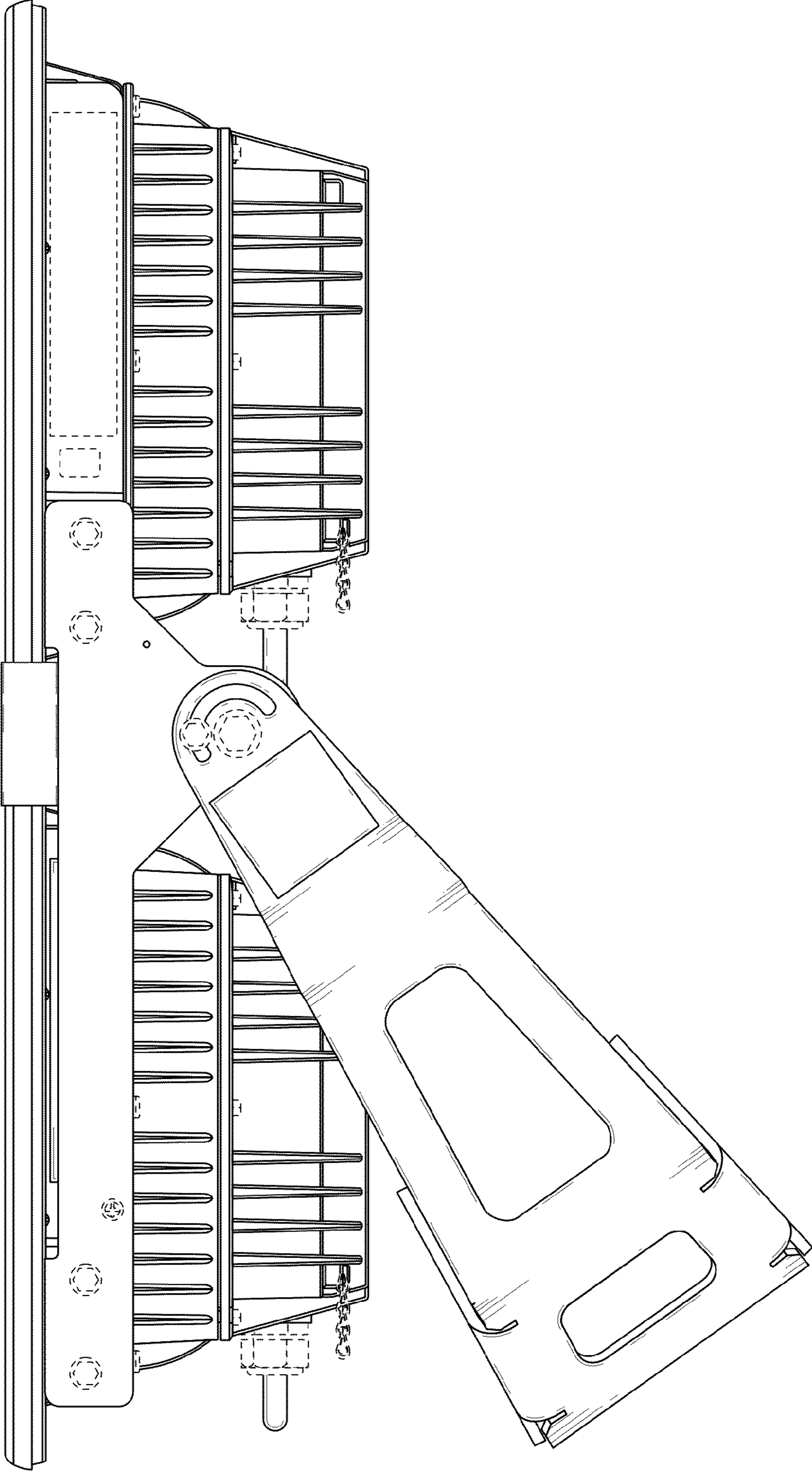
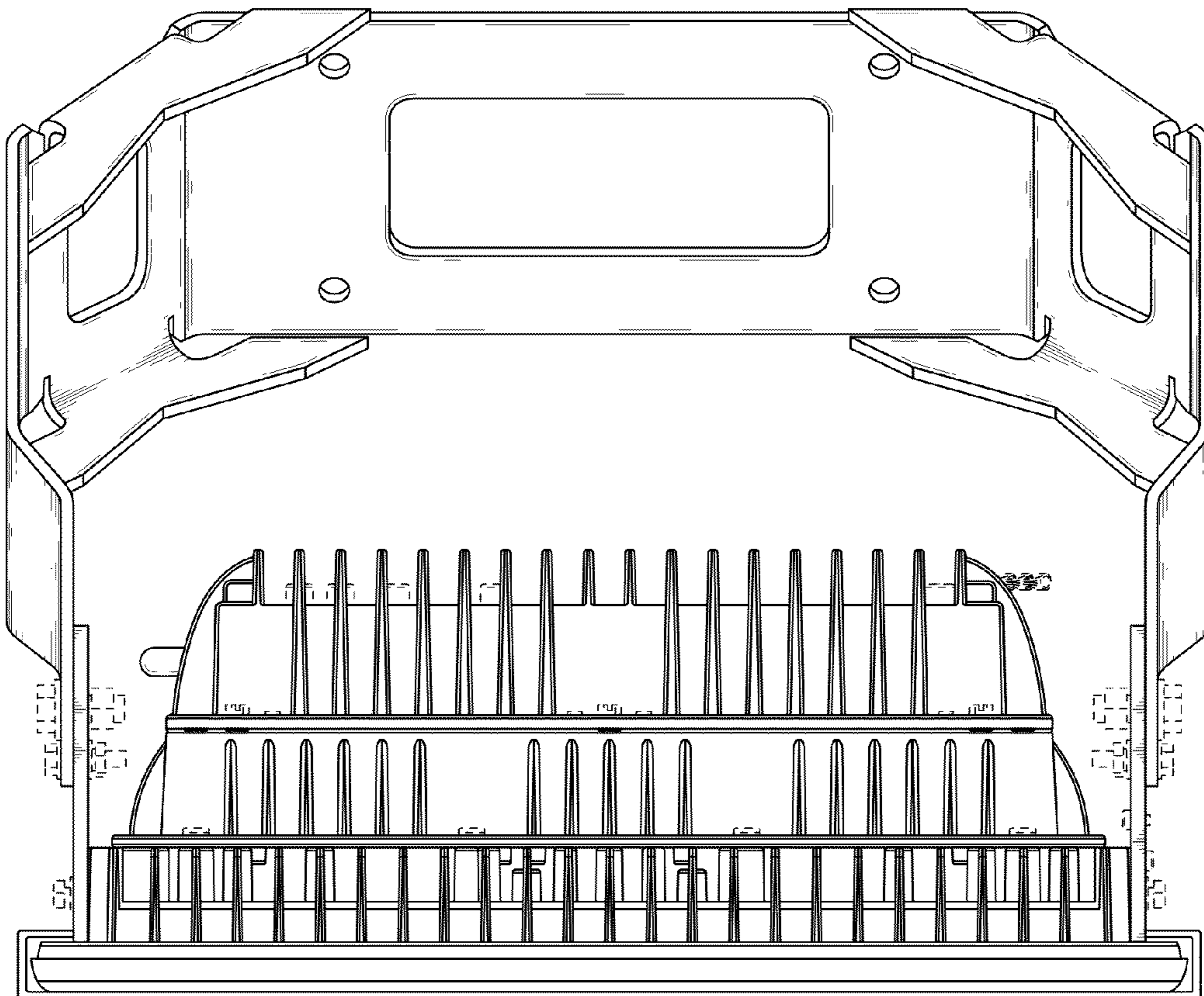


FIG. 5

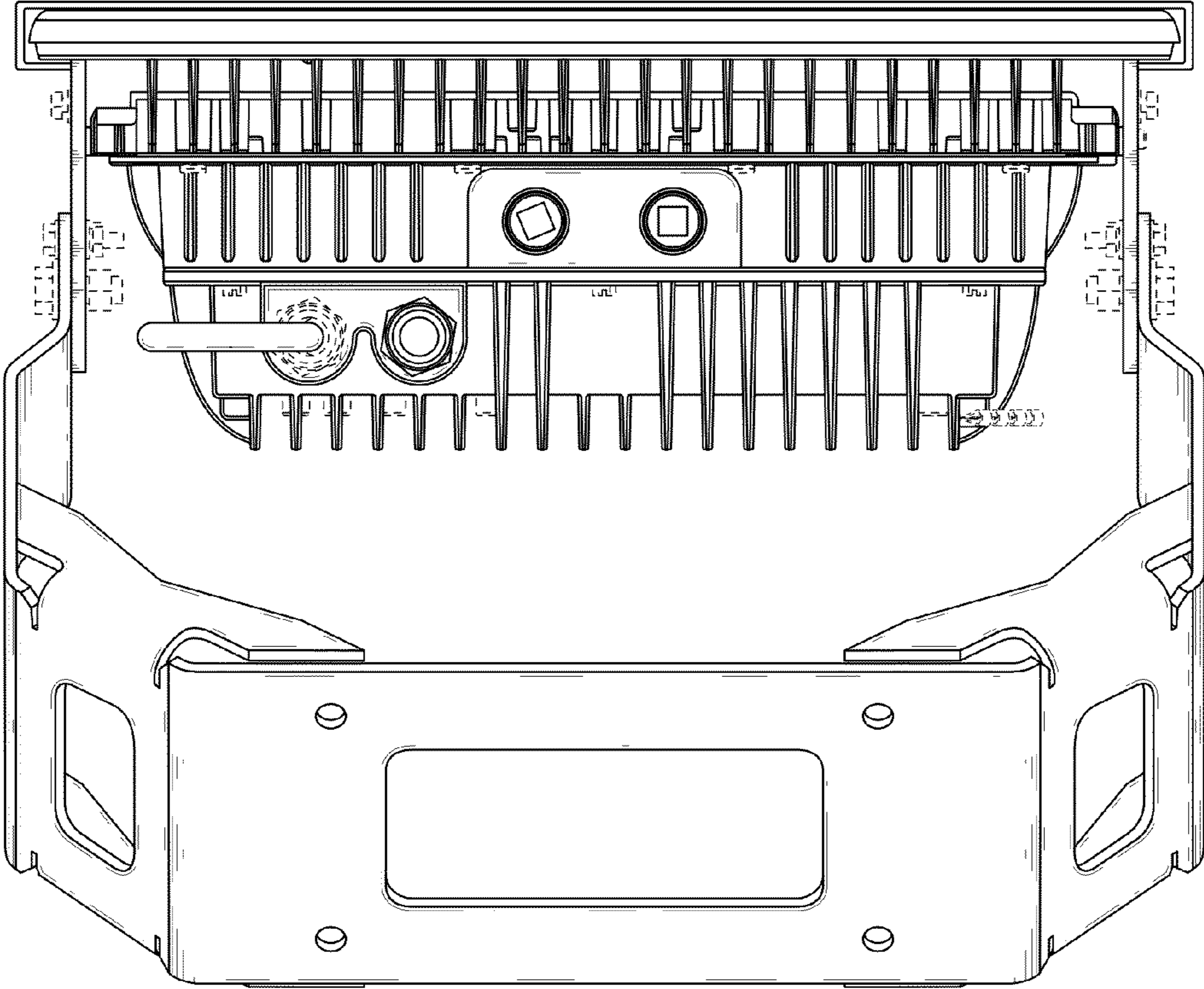


**FIG. 6**



**FIG. 7**





**FIG. 8**