



US00D713080S

(12) **United States Design Patent**
Giaffreda

(10) **Patent No.:** **US D713,080 S**

(45) **Date of Patent:** **** Sep. 9, 2014**

(54) **LIGHT FOR MEDICAL/DENTAL PURPOSES**

(71) Applicant: **G. Comm S.r.l.**, Cornate d'Adda (IT)

(72) Inventor: **Nicola Giaffreda**, Cornate d'Adda (IT)

(73) Assignee: **G. Comm S.r.l.**, Cornate d'Adda (MB)
(IT)

(**) Term: **14 Years**

(21) Appl. No.: **29/452,793**

(22) Filed: **Apr. 22, 2013**

(30) **Foreign Application Priority Data**

Oct. 24, 2012 (EP) 002123950

(51) **LOC (10) Cl.** **23-05**

(52) **U.S. Cl.**
USPC **D26/65**

(58) **Field of Classification Search**
CPC ... F21V 3/04; F21V 19/0065; F21V 29/2293;
F21V 21/04; F21V 21/35; F21V 7/09; F21V
29/004; F21V 19/02
USPC D26/61, 63, 65; 362/275, 277, 282,
362/283, 287, 220, 804

See application file for complete search history.

(56) **References Cited**

U.S. PATENT DOCUMENTS

D377,227 S * 1/1997 Nordstrom et al. D26/65
D395,140 S * 6/1998 O'Rourke D26/63
D586,026 S * 2/2009 Hanson et al. D26/61

* cited by examiner

Primary Examiner — Brian N Vinson

(74) *Attorney, Agent, or Firm* — Jacobson Holman, PLLC.

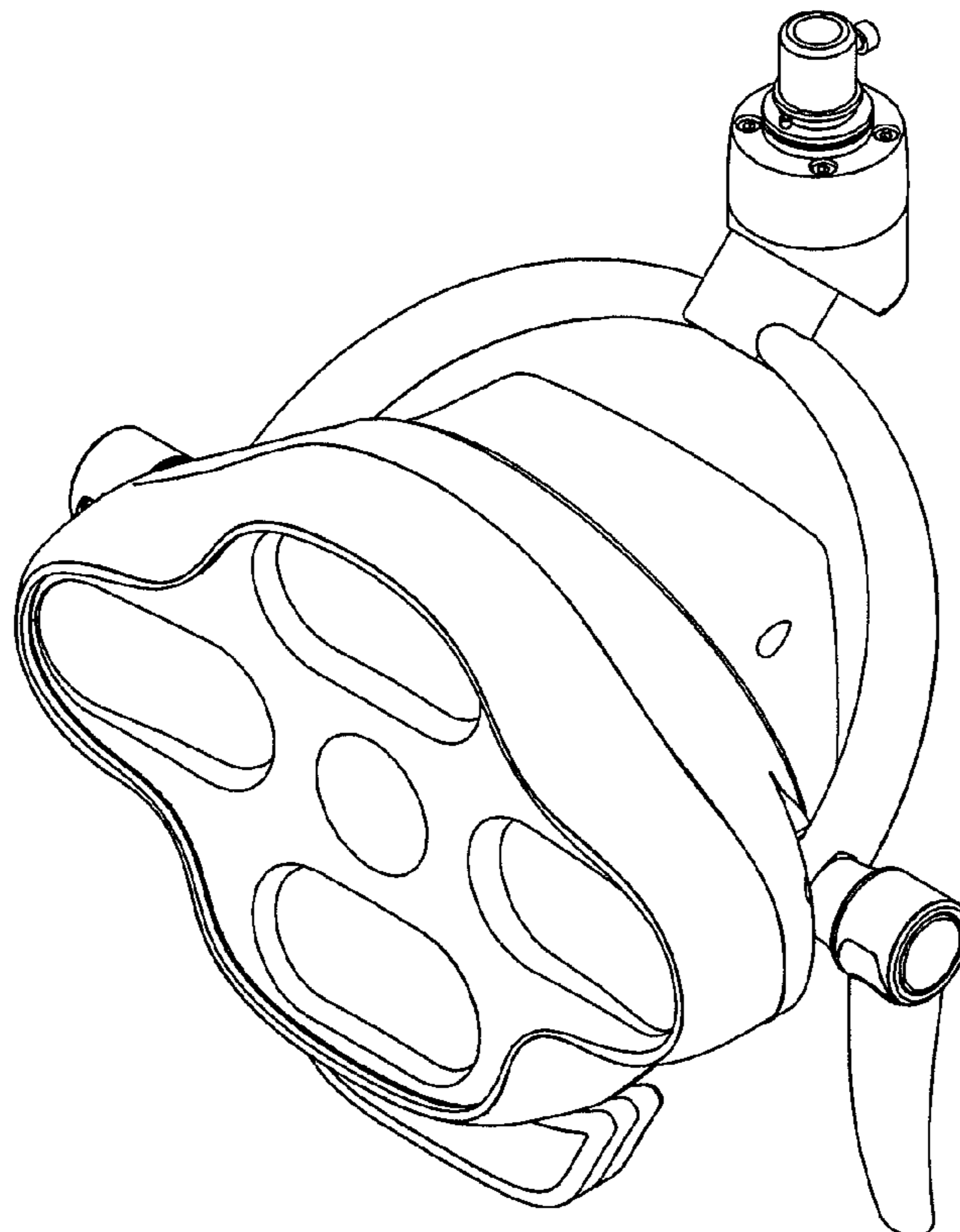
(57) **CLAIM**

I claim the ornamental design for a light for medical/dental purposes.

DESCRIPTION

FIG. 1 is a front perspective view of a light for medical/dental purposes;
FIG. 2 is a front elevational view of FIG. 1;
FIG. 3 is a rear elevational view of FIG. 1;
FIG. 4 is a right side elevational view of FIG. 1;
FIG. 5 is a left side elevational view of FIG. 1;
FIG. 6 is a top view of FIG. 1; and,
FIG. 7 is a bottom view of FIG. 1.

1 Claim, 7 Drawing Sheets



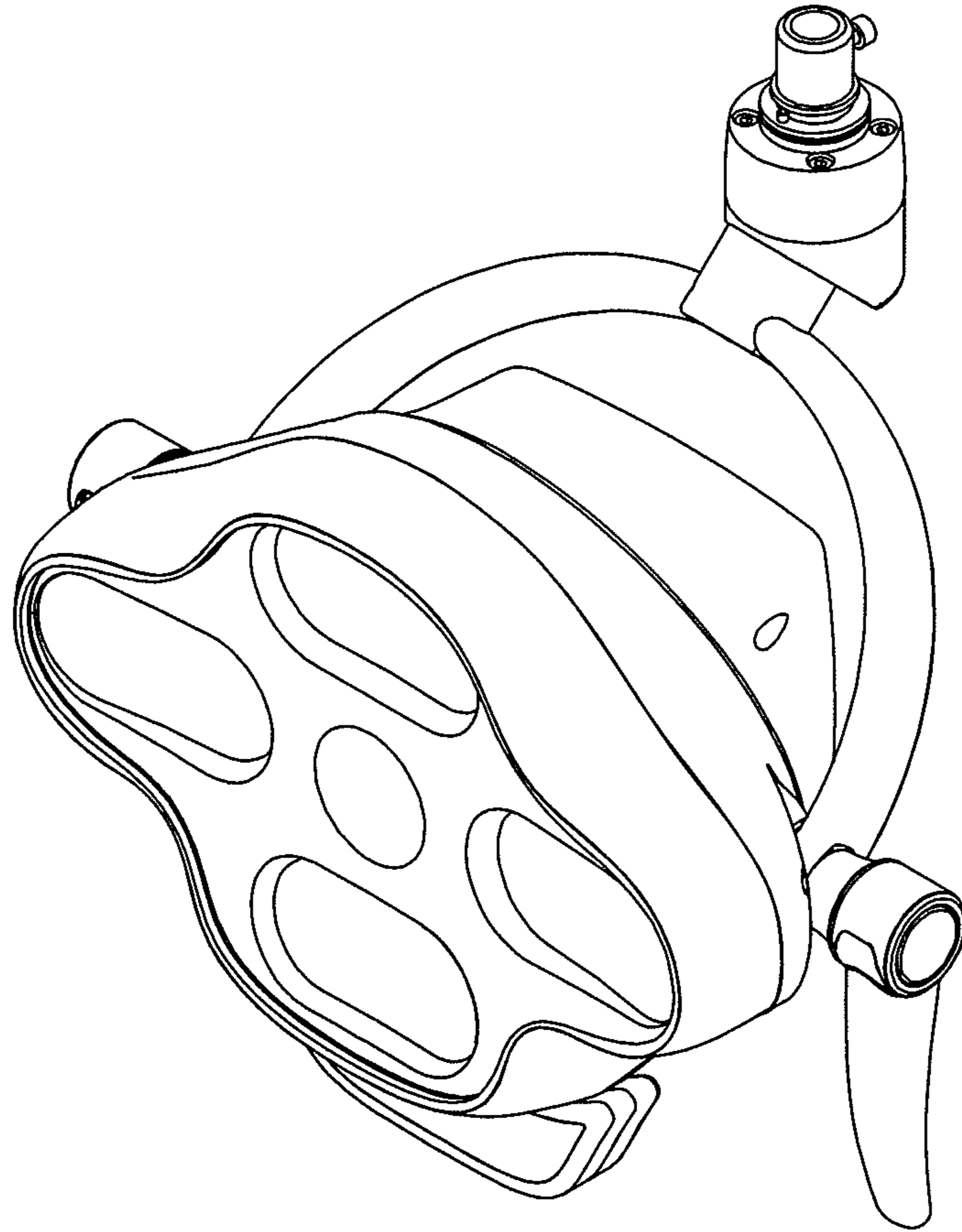


Fig. 1

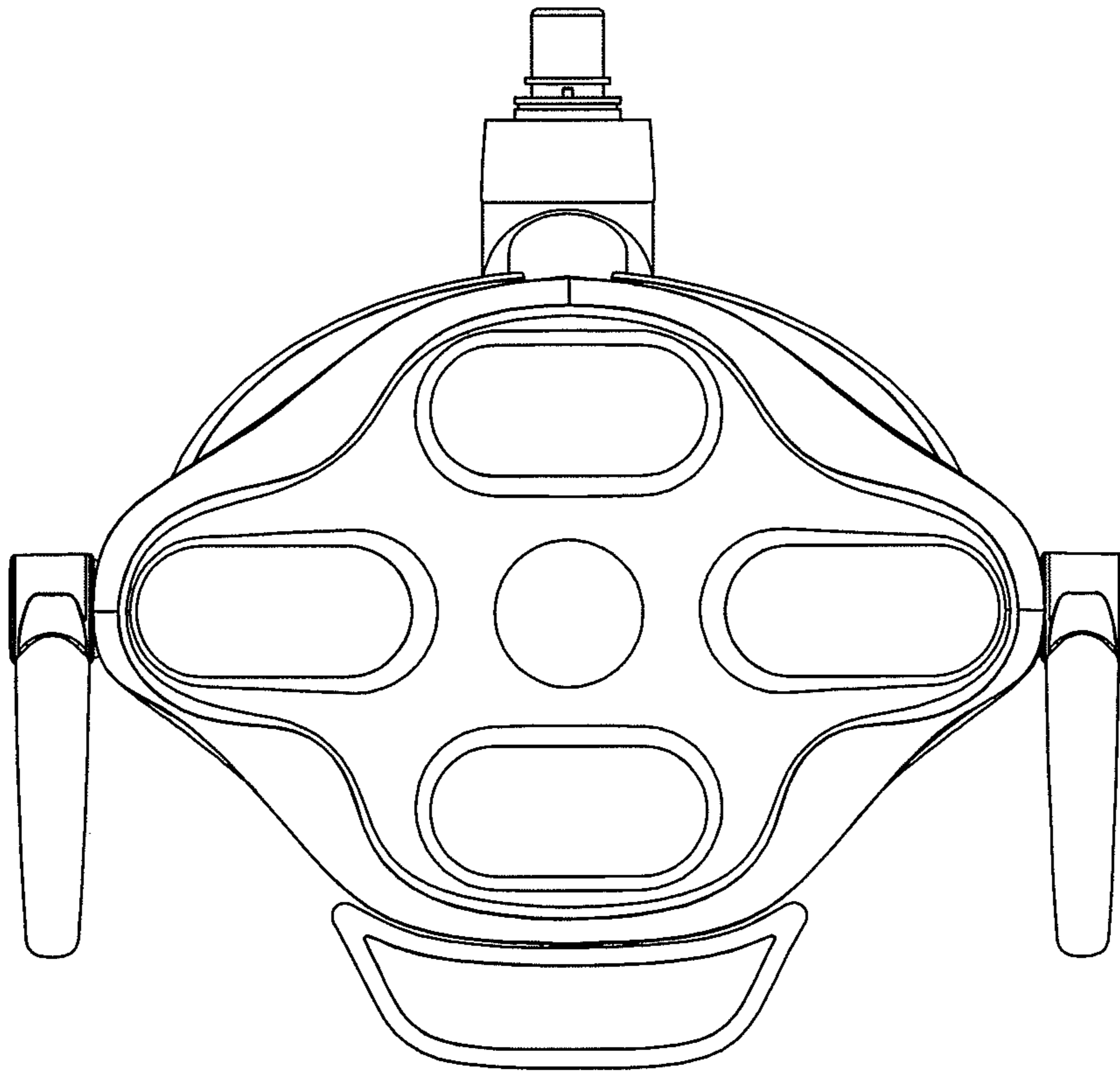


Fig. 2

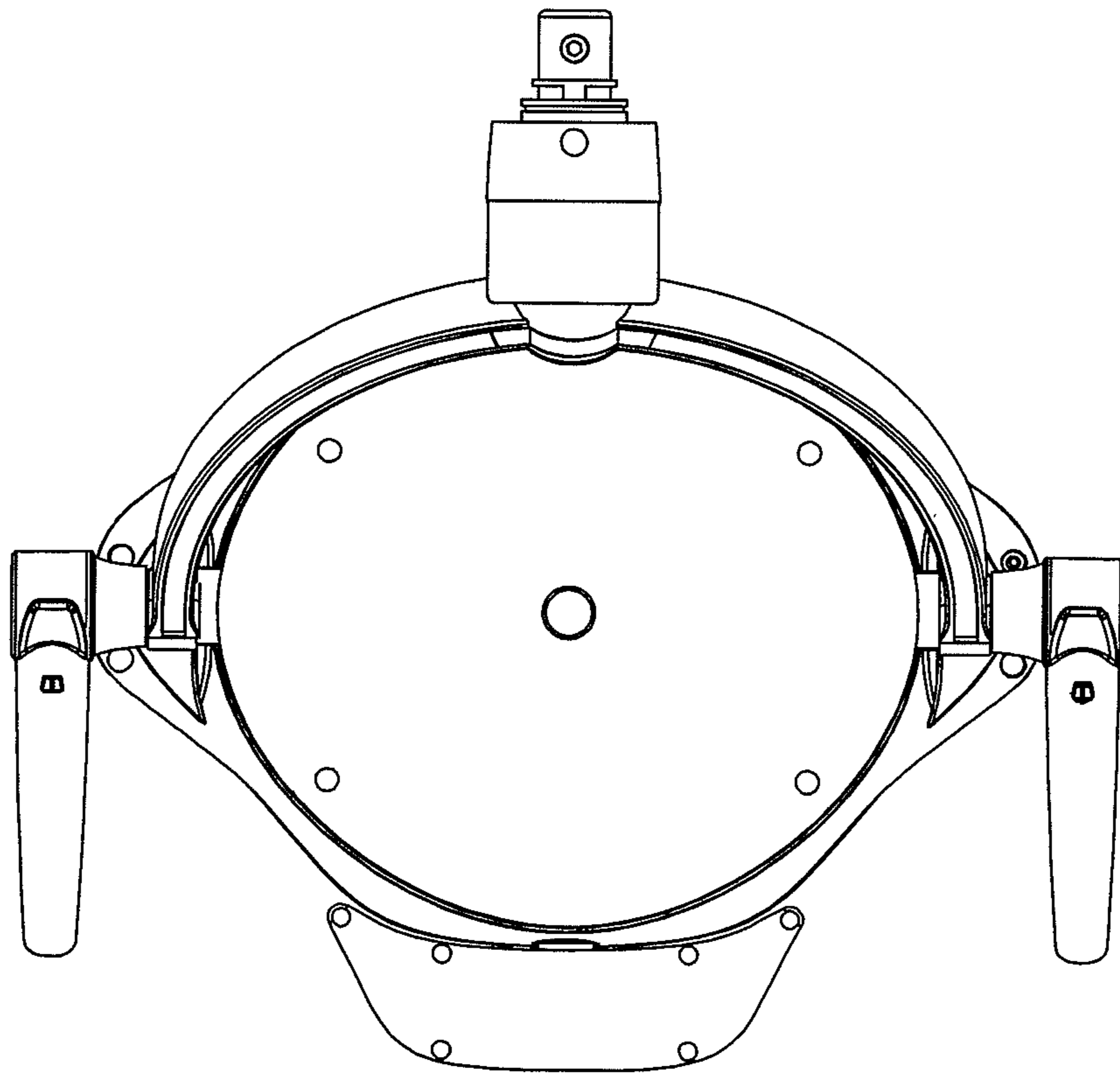


Fig. 3

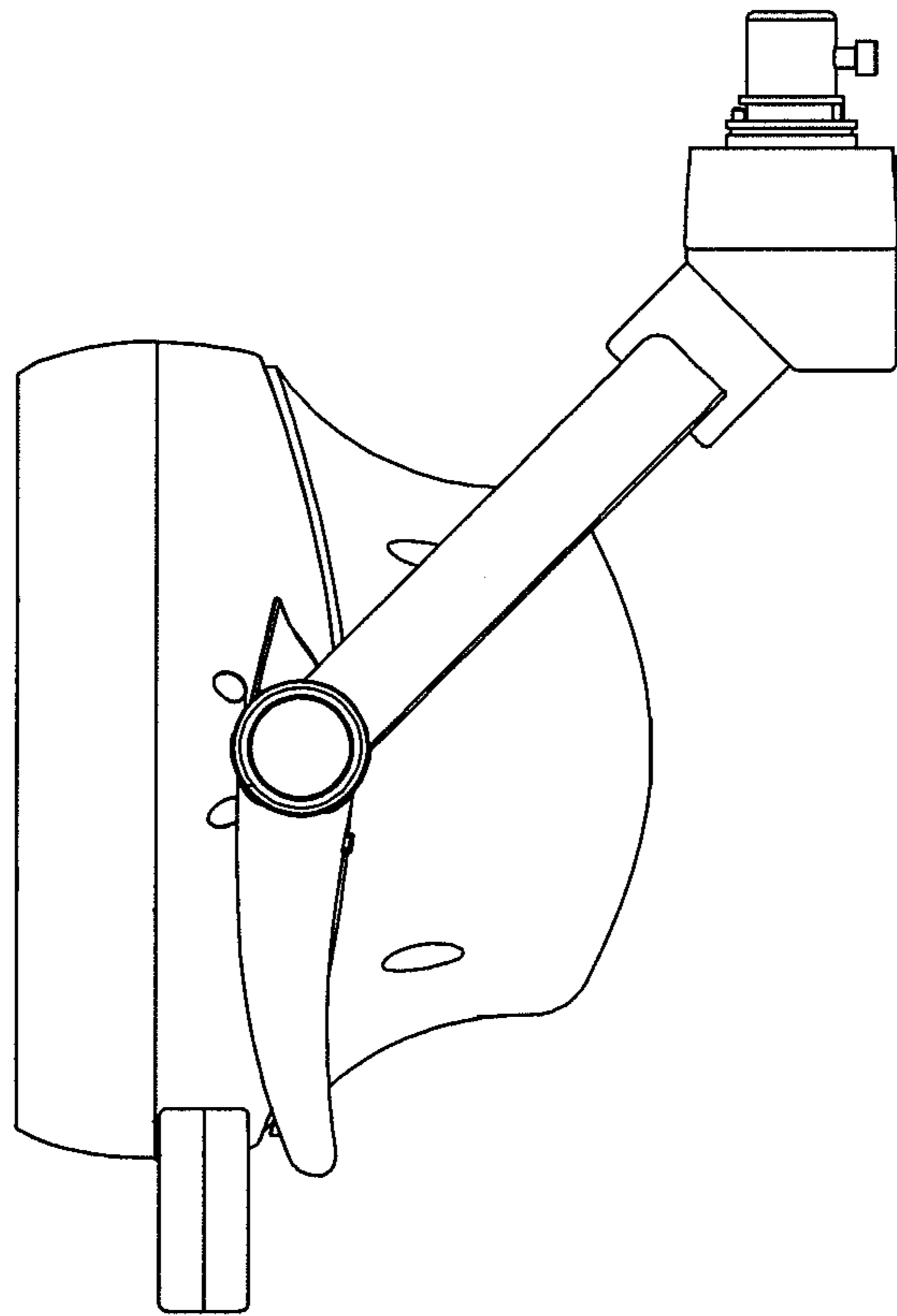


Fig. 4

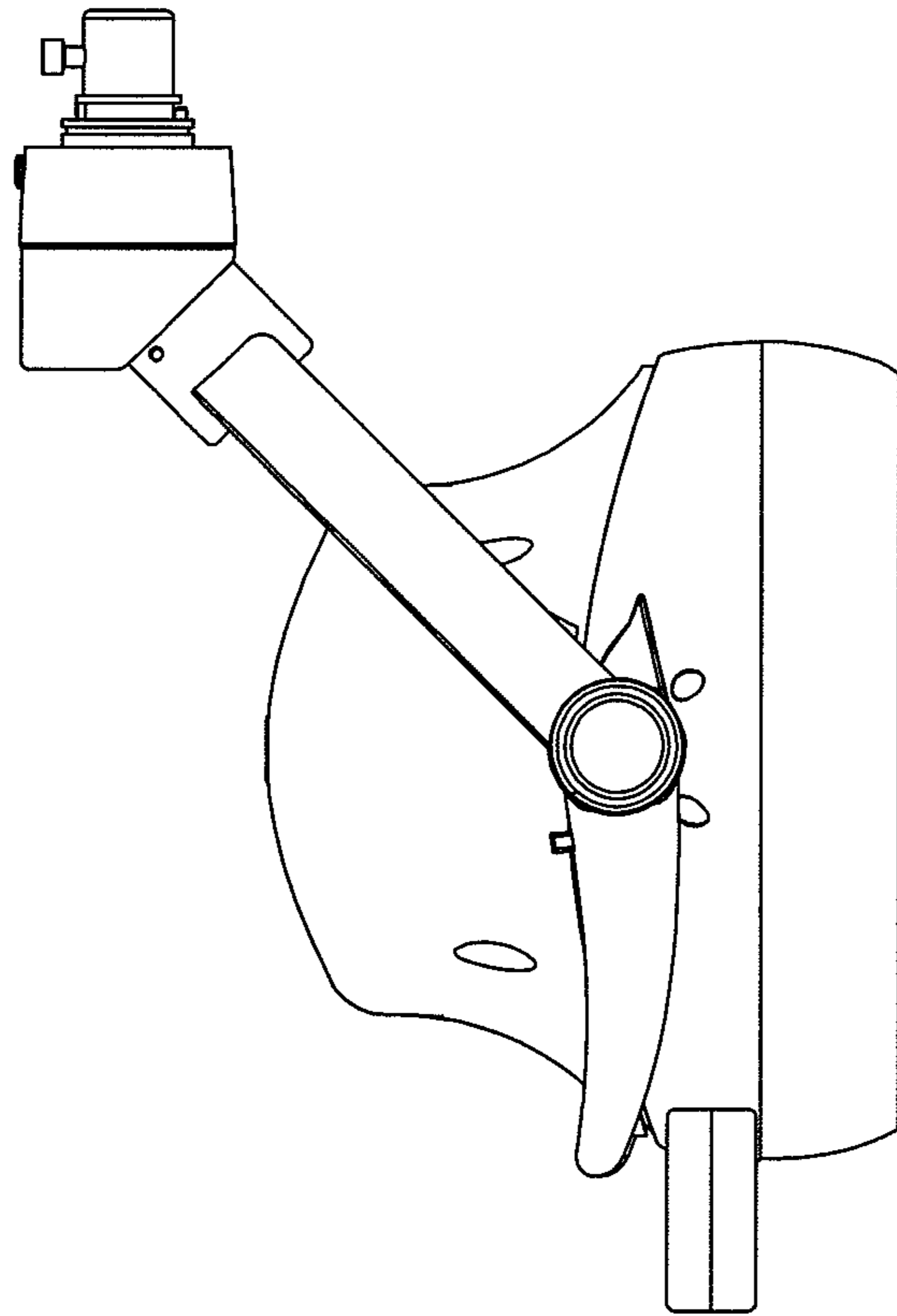


Fig. 5

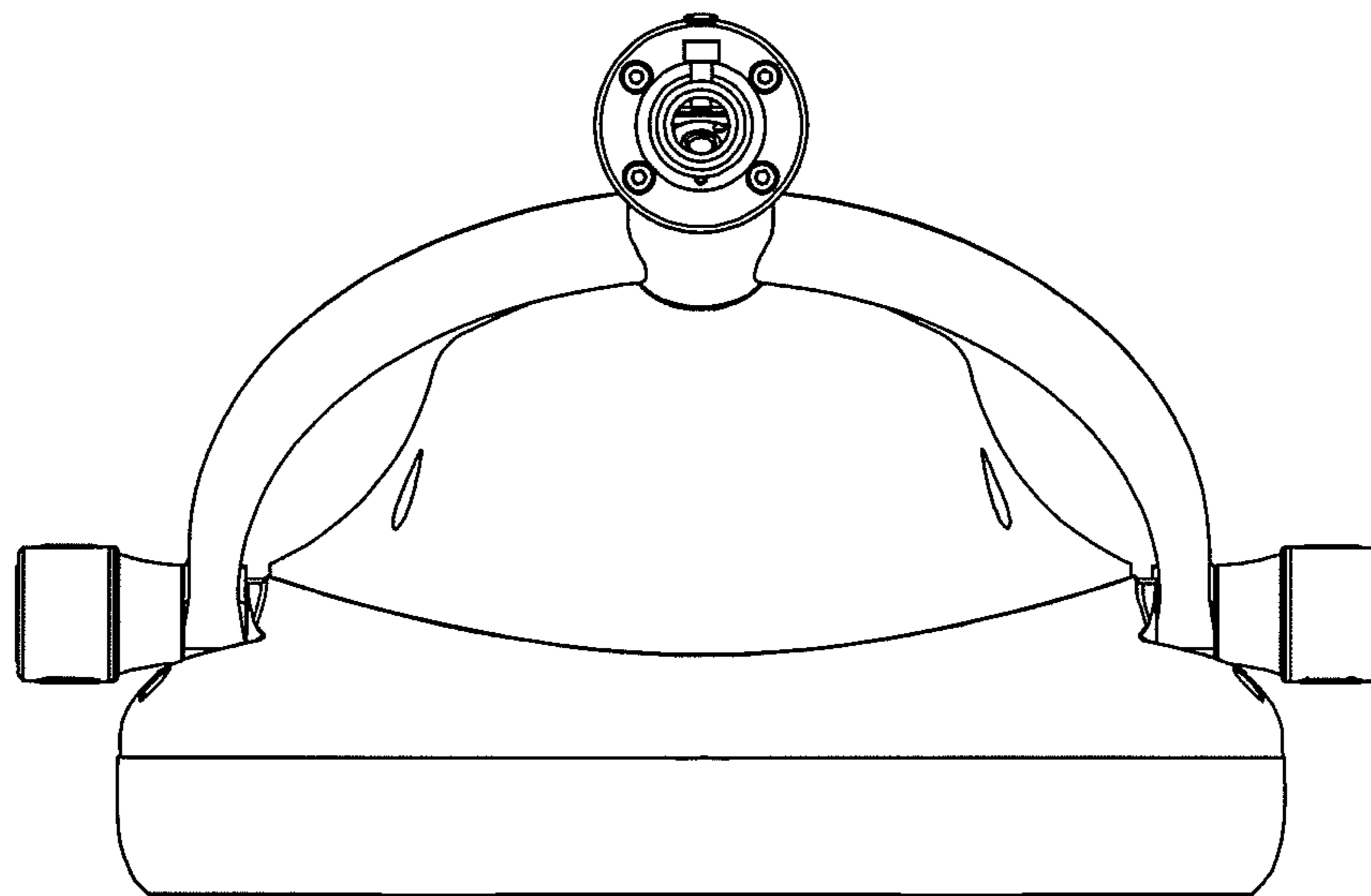


Fig. 6

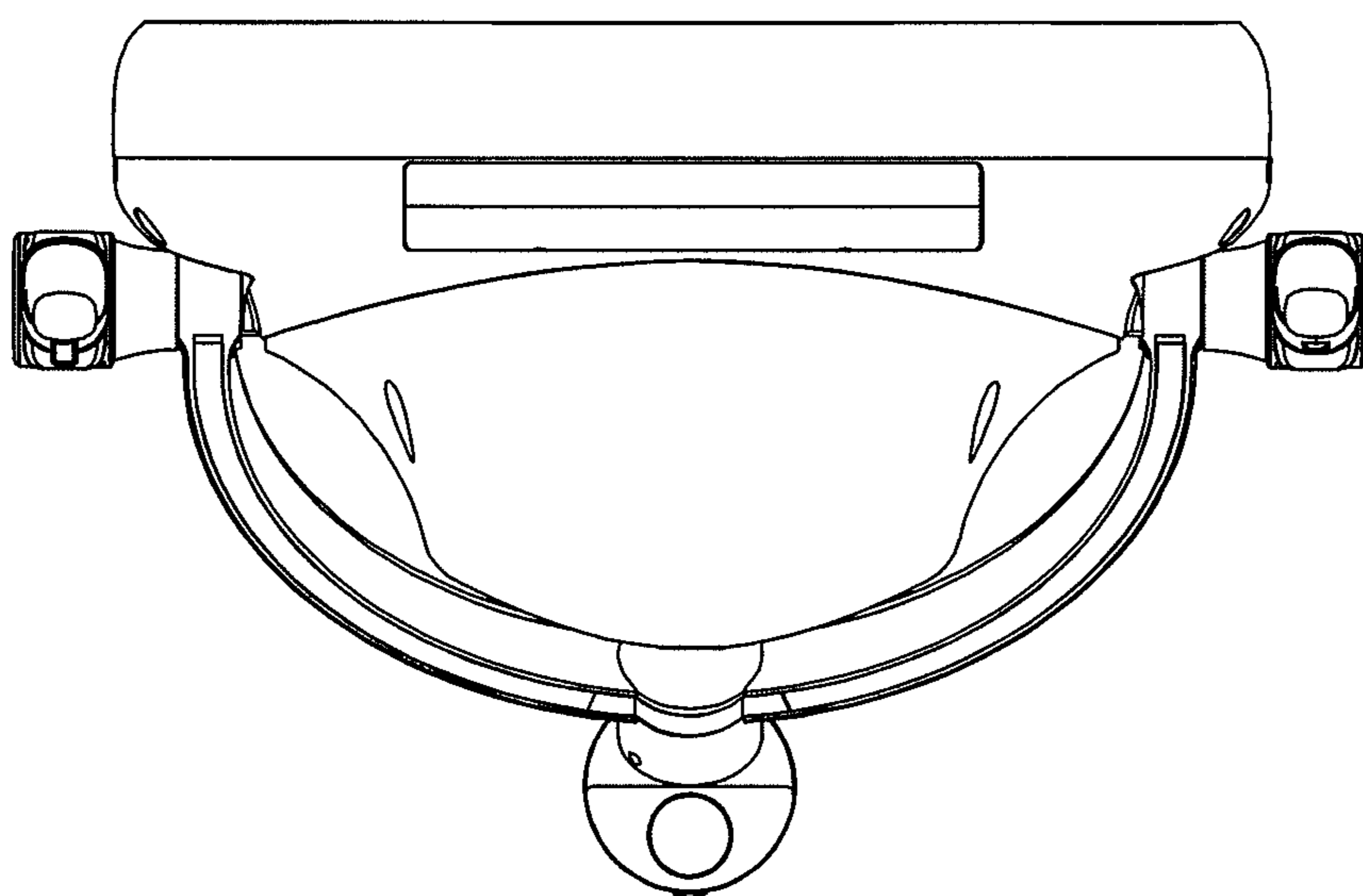


Fig. 7