



US00D713079S

(12) **United States Design Patent**
Zhenmei et al.

(10) **Patent No.:** **US D713,079 S**

(45) **Date of Patent:** **** Sep. 9, 2014**

(54) **FLASHLIGHT**

D668,803 S *	10/2012	Yang et al.	D26/46
D687,995 S *	8/2013	Yeh	D26/49
D689,227 S *	9/2013	Yeh	D26/46
D689,228 S *	9/2013	Yeh	D26/46

(71) Applicant: **FLIR Systems, Inc.**, Wilsonville, OR
(US)

FOREIGN PATENT DOCUMENTS

(72) Inventors: **Mao Zhenmei**, Shanghai (CN); **Michael Fox**, Nashua, NH (US); **David Pelletier**, Cupertino, CA (US); **Giovanni Lepore**, Peabody, MA (US); **Samuel M. Ruback**, Bedford, NH (US)

EM	001394928-0001	3/2014
EM	001394936-0001	3/2014
EM	001394936-0002	3/2014
EM	001394936-0003	3/2014
EM	001394936-0004	3/2014

(73) Assignee: **FLIR Systems, Inc.**, Wilsonville, OR
(US)

OTHER PUBLICATIONS

(**) Term: **14 Years**

U.S. Appl. No. 29/459,084, filed Jun. 25, 2013, Mao Zhenmei et al.
U.S. Appl. No. 29/459,079, filed Jun. 25, 2013, Mao Zhenmei et al.
U.S. Appl. No. 29/459,080, filed Jun. 25, 2013, Mao Zhenmei et al.
U.S. Appl. No. 29/459,081, filed Jun. 25, 2013, Mao Zhenmei et al.

(21) Appl. No.: **29/459,083**

* cited by examiner

(22) Filed: **Jun. 25, 2013**

(51) **LOC (10) Cl.** **26-02**

Primary Examiner — Ian Simmons

(52) **U.S. Cl.**

Assistant Examiner — Carissa C Fitts

USPC **D26/46**

(74) *Attorney, Agent, or Firm* — Wolf, Greenfield & Sacks, P.C.

(58) **Field of Classification Search**

USPC D26/37, 38, 40, 41, 44, 45, 46, 49;
362/157, 158, 183, 184, 171-174,
362/194-196, 200-208

(57) **CLAIM**

The ornamental design for a flashlight, as shown and described.

See application file for complete search history.

DESCRIPTION

(56) **References Cited**

U.S. PATENT DOCUMENTS

D449,703 S *	10/2001	Dalton et al.	D26/49
D452,025 S *	12/2001	Poon	D26/49
D496,481 S *	9/2004	Wiesmeth	D26/49
D507,370 S *	7/2005	Marshall et al.	D26/37
D566,315 S *	4/2008	Shiu	D26/49
D579,135 S *	10/2008	Shiu	D26/49
D592,339 S *	5/2009	Crawford et al.	D26/37
D601,284 S *	9/2009	Schonenbach	D26/46
D610,727 S *	2/2010	Nyssen	D26/46
D612,967 S *	3/2010	Gan et al.	D26/46
D641,512 S *	7/2011	Wang	D26/46

FIG. 1 is a side, top, perspective view of the flashlight with elements thereof shown in phantom.

FIG. 2 is a front view thereof;

FIG. 3 is a rear view thereof;

FIG. 4 is a left side view thereof;

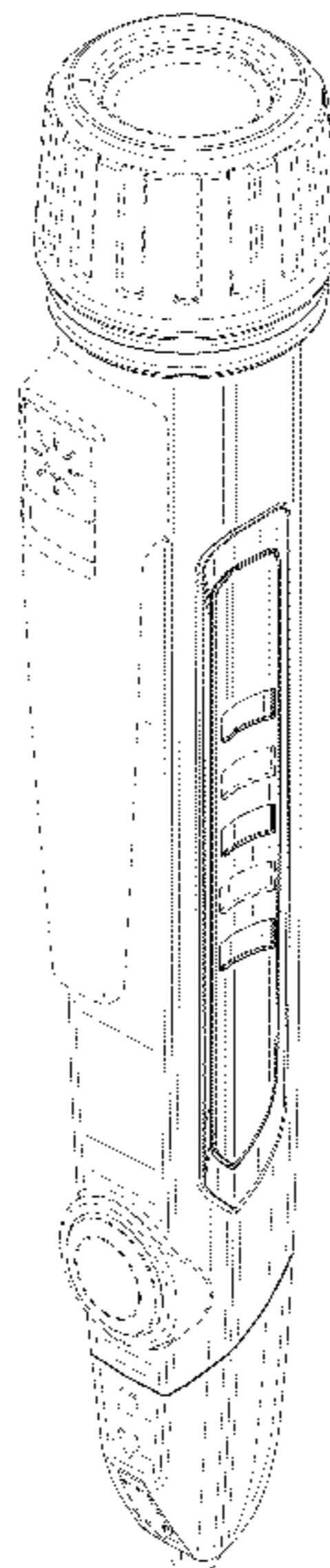
FIG. 5 is a right side view thereof;

FIG. 6 is a top view thereof; and,

FIG. 7 is a bottom view thereof.

The broken line showing is for environmental purposes only and forms no part of the claimed design.

1 Claim, 4 Drawing Sheets



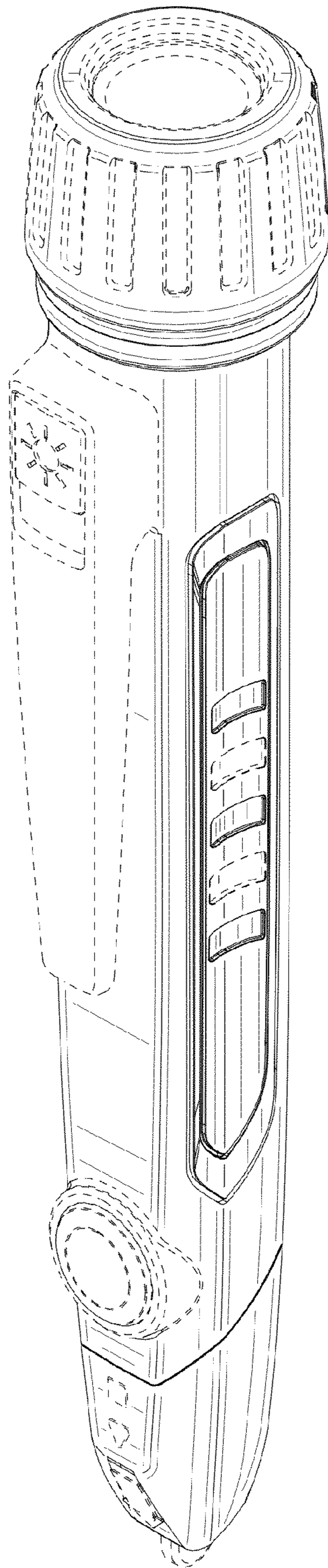


FIG. 1

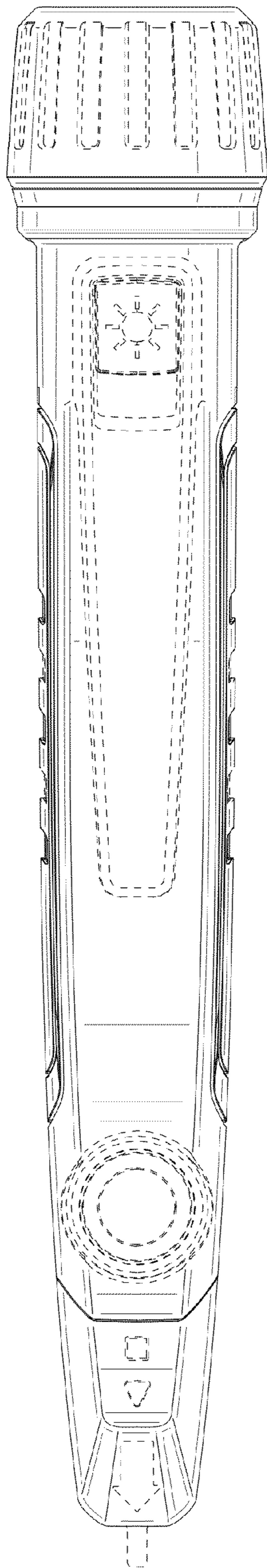


FIG. 2

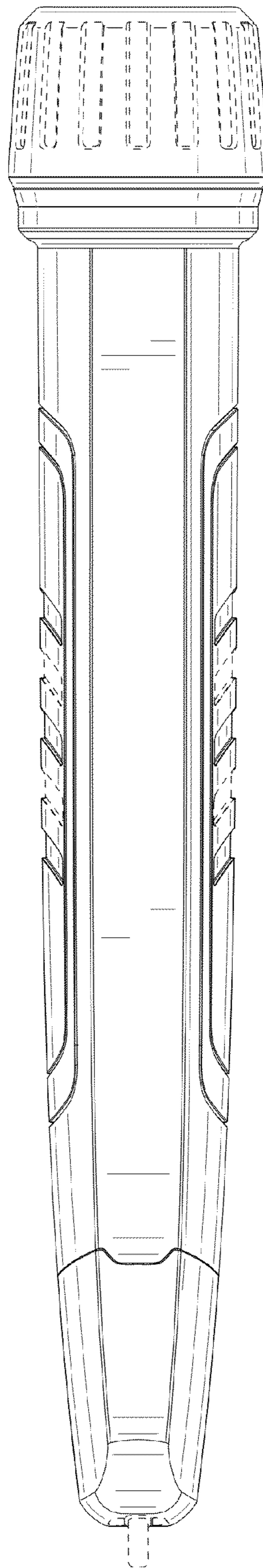


FIG. 3

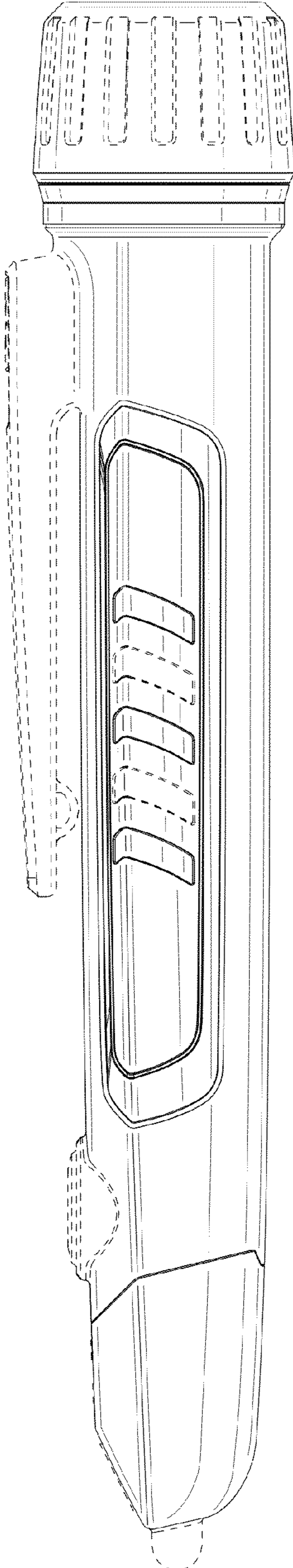


FIG. 4

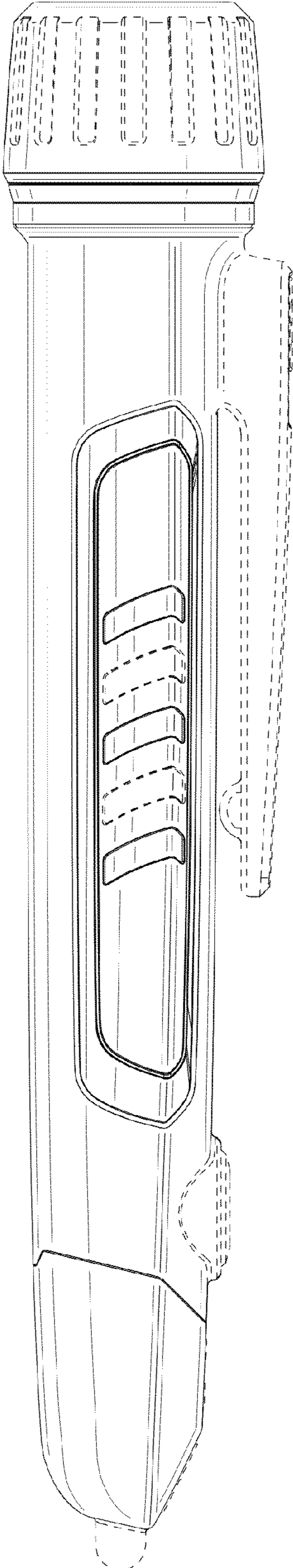


FIG. 5

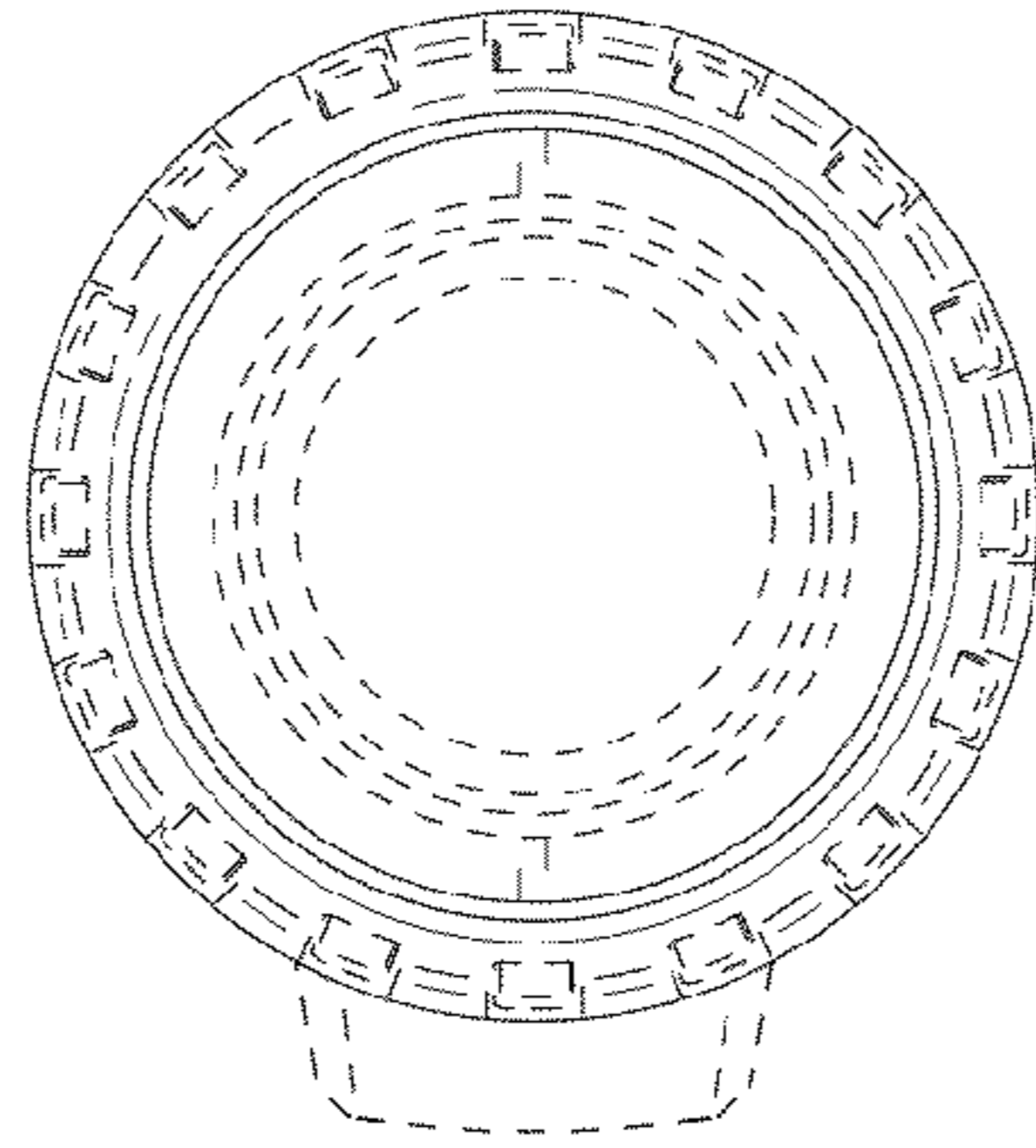


FIG. 6

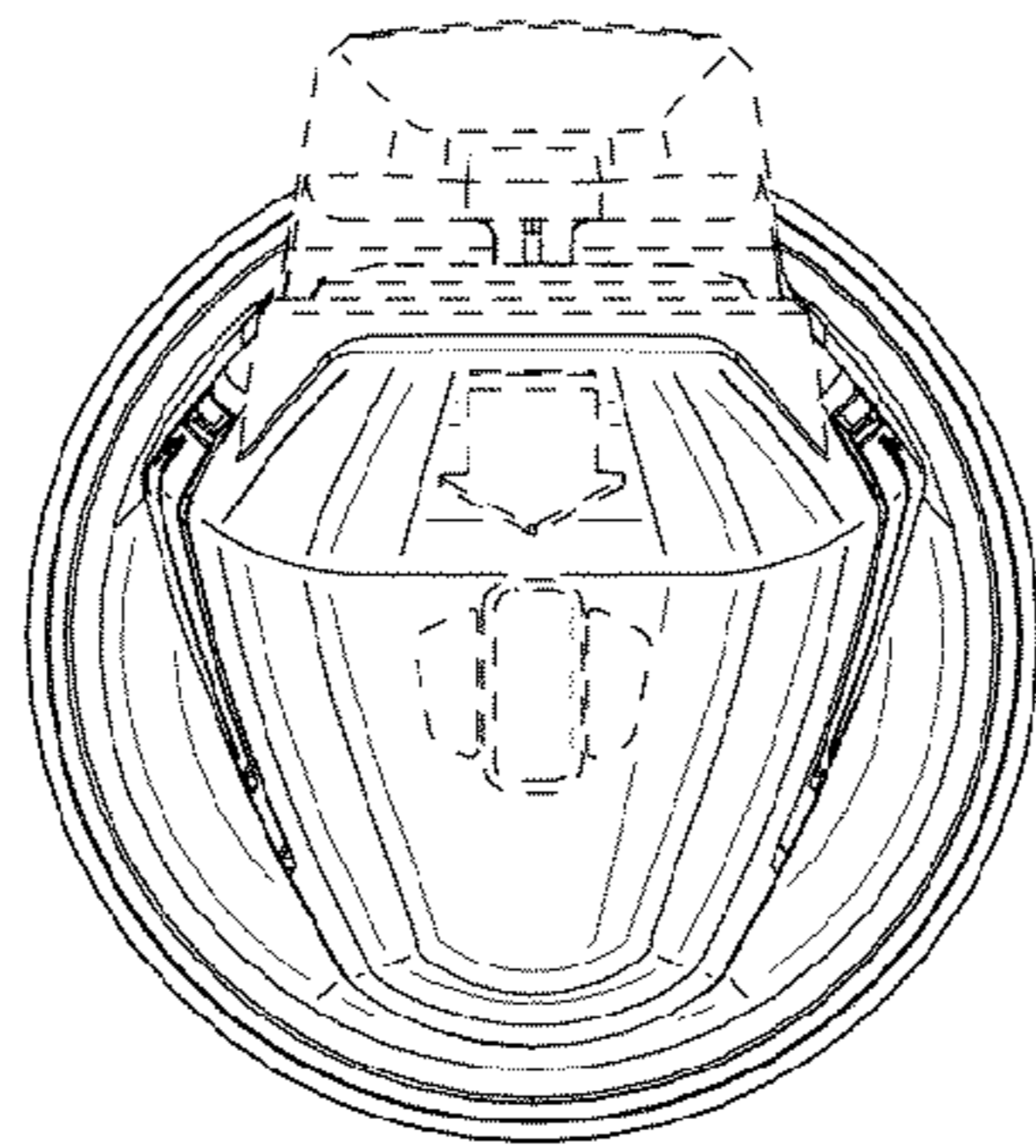


FIG. 7