



US00D713078S

(12) **United States Design Patent**  
**Shen**

(10) **Patent No.:** **US D713,078 S**

(45) **Date of Patent:** **\*\* Sep. 9, 2014**

(54) **LED SPOTLIGHT**

D649,274 S \* 11/2011 Bertken ..... D26/48  
D650,934 S \* 12/2011 Yuen ..... D26/41

(75) Inventor: **Guilian Shen**, Ningbo (CN)

\* cited by examiner

(73) Assignee: **Ningbo Taiweite Electric Appliance Co., Ltd.**, Ningbo (CN)

*Primary Examiner* — Ian Simmons

*Assistant Examiner* — Carissa C Fitts

(\*\*) Term: **14 Years**

(74) *Attorney, Agent, or Firm* — Andrew F. Young, Esq.;  
Lackebach Siegel, LLP

(21) Appl. No.: **29/428,337**

(57) **CLAIM**

The ornamental design for a LED spotlight, as shown and described.

(22) Filed: **Jul. 30, 2012**

**DESCRIPTION**

(30) **Foreign Application Priority Data**

May 25, 2012 (CN) ..... 2012 3 0197690

(51) **LOC (10) Cl.** ..... **26-02**

(52) **U.S. Cl.**  
USPC ..... **D26/41**

(58) **Field of Classification Search**  
USPC ..... D26/37, 38, 39, 46, 50, 51, 40-42;  
362/157, 158, 183, 184, 194-196, 202,  
362/201, 207, 208  
See application file for complete search history.

FIG. 1 is a front elevation view of an LED spotlight in combination with a removable end light unit.

FIG. 2 is a back view of FIG. 1.

FIG. 3 is a top plan view of FIG. 1.

FIG. 4 is a bottom plan view of FIG. 1.

FIG. 5 is a left side elevation view of FIG. 1.

FIG. 6 is a right side elevation view of FIG. 1; and,

FIG. 7 is a front perspective view of FIG. 1.

There is no claim to the surface below the lined transparent or translucent front lens shown in the figures. There is no claim to the surface below the lined transparent or translucent lens of the removable end light unit of the invention. In the views, the dashed lining in the views forms no part of the claimed designs and reflects disclaimed portions of the designs. In FIG. 2 no claim is made to the handle member of the removable end light unit. In FIGS. 1-7 no claim is made to the removable end light unit. The surfaces are lightly lined and shaded for contour and these light linings or shadings form no part of the claimed design.

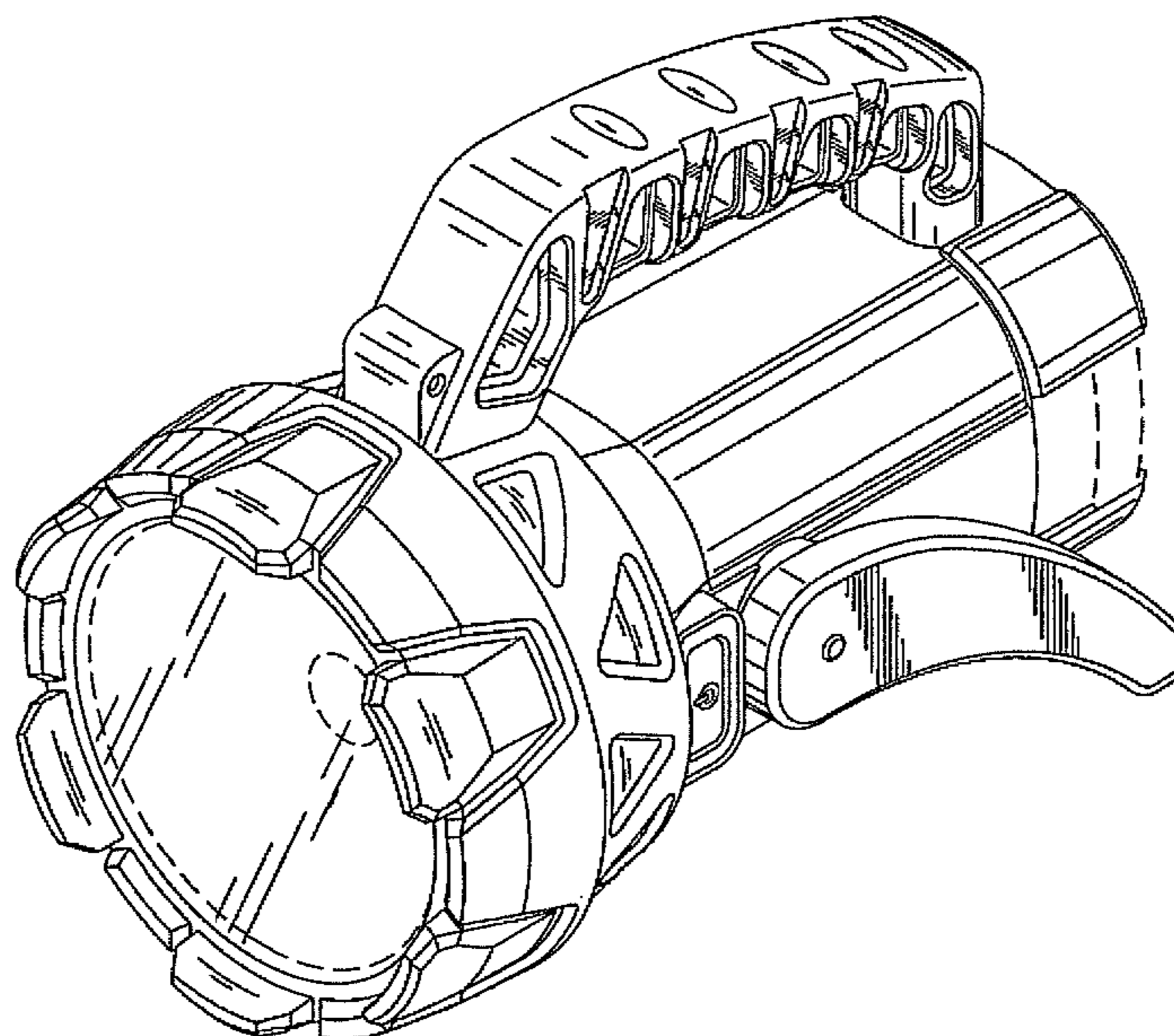
The broken line showing is for environmental purposes only and forms no part of the claimed design.

(56) **References Cited**

**U.S. PATENT DOCUMENTS**

D500,378 S \* 12/2004 Kung ..... D26/40  
D501,268 S \* 1/2005 Yuen ..... D26/44  
D514,719 S \* 2/2006 Krieger et al. .... D26/40  
D527,480 S \* 8/2006 Yuen ..... D26/46  
D531,336 S \* 10/2006 Yuen ..... D26/46  
D542,954 S \* 5/2007 Yuen ..... D26/46  
D612,979 S \* 3/2010 Holsinger ..... D26/138  
D638,562 S \* 5/2011 Sun ..... D26/48  
D638,563 S \* 5/2011 Sun ..... D26/48

**1 Claim, 7 Drawing Sheets**



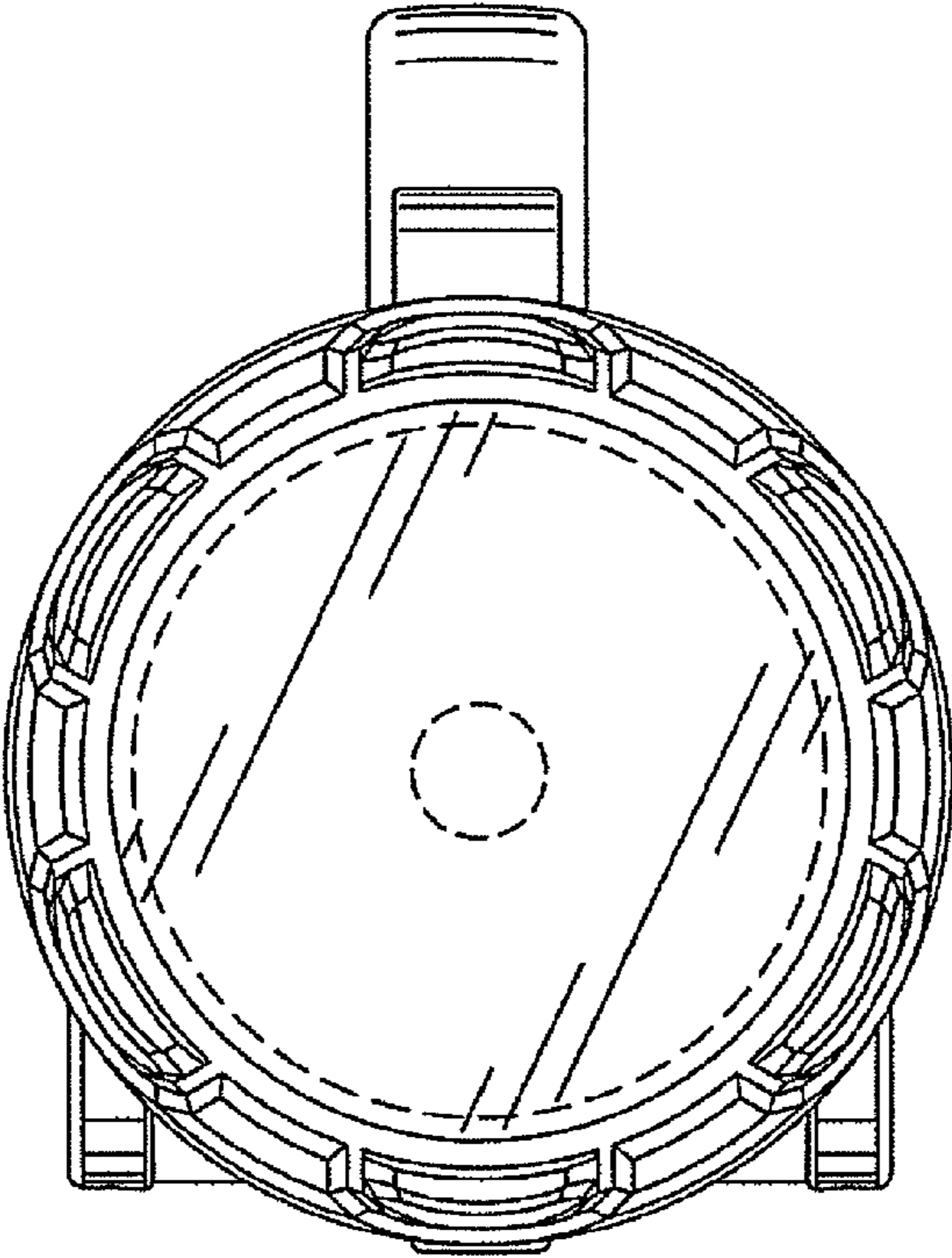


FIG. 1

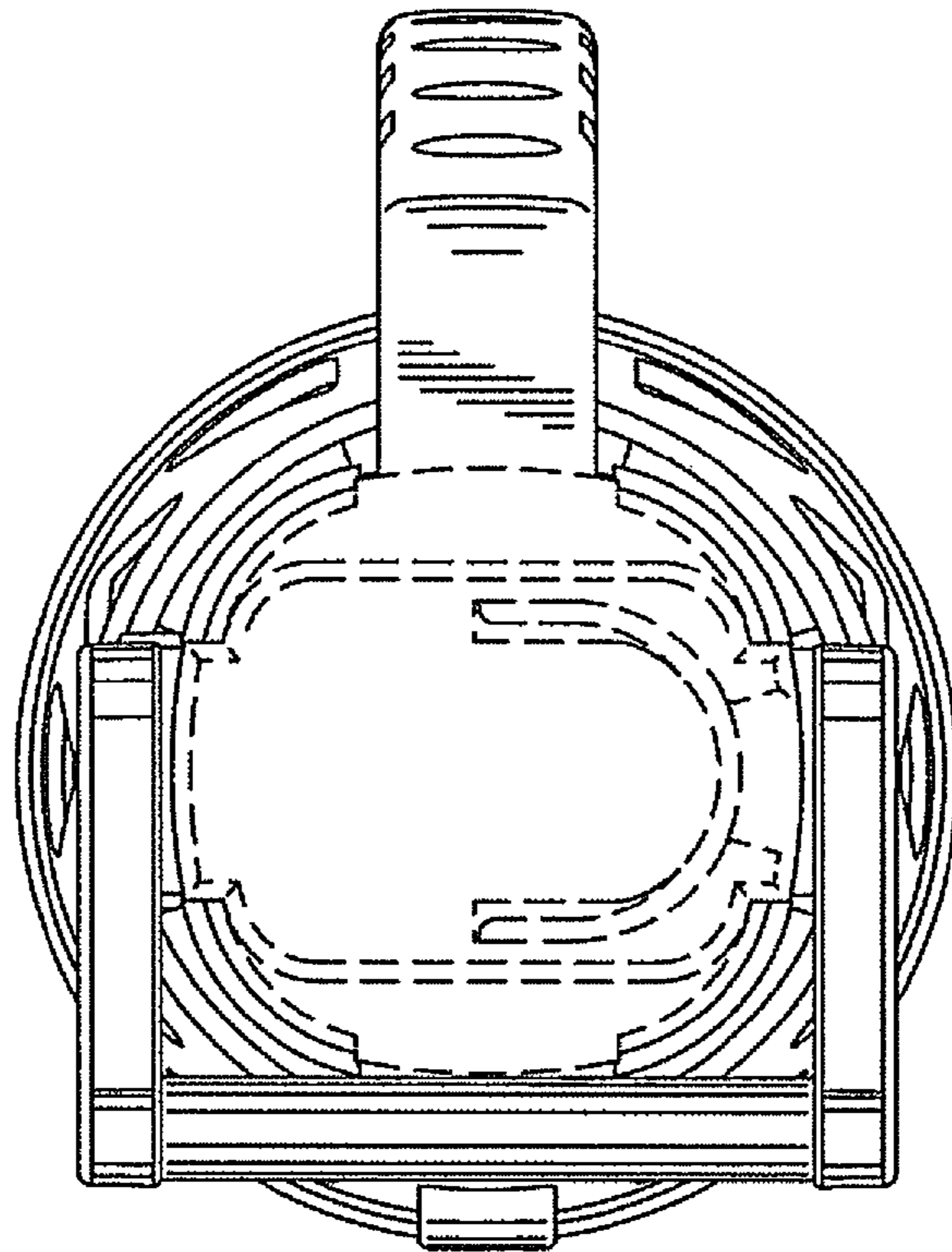


FIG. 2

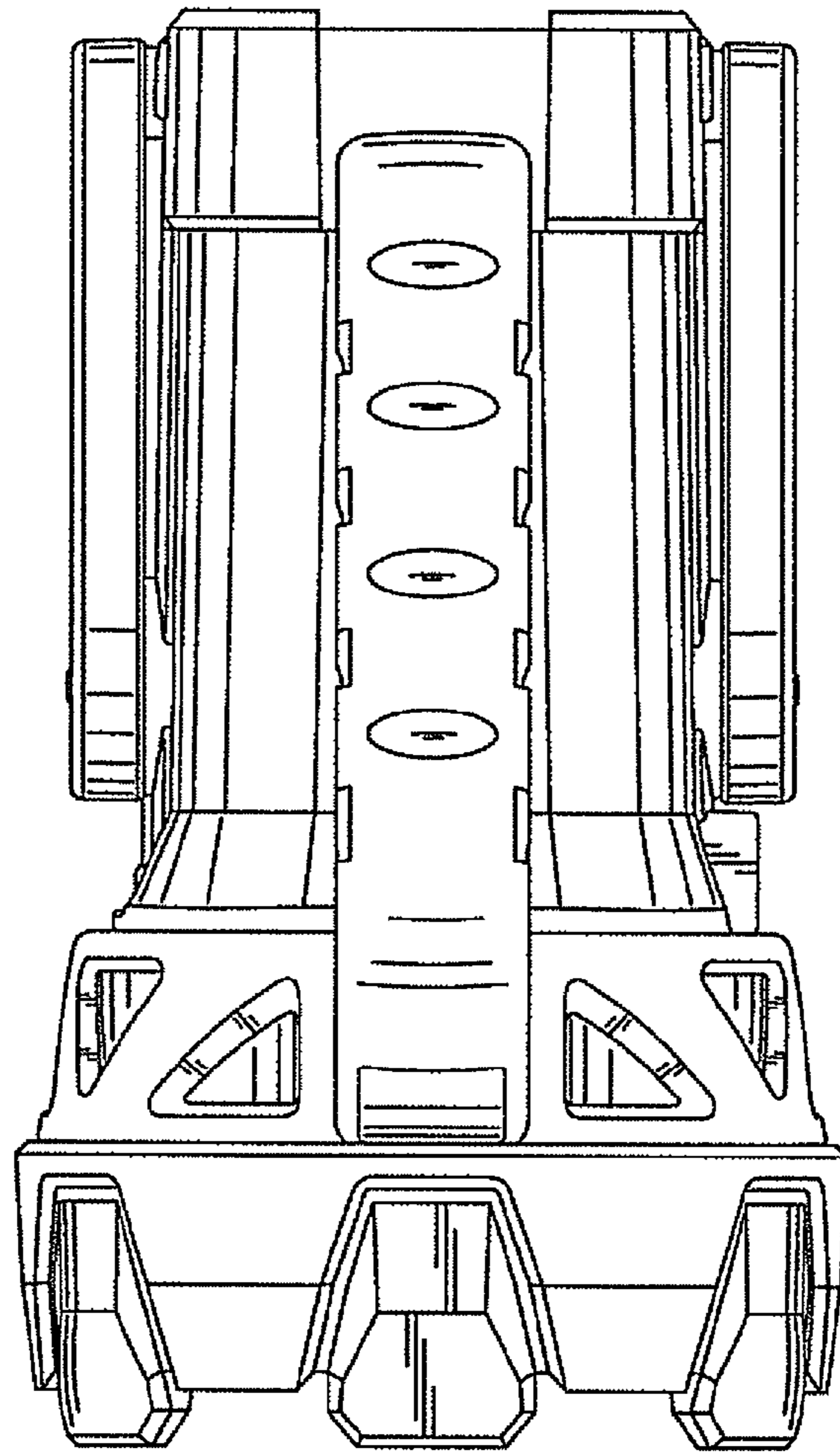


FIG. 3

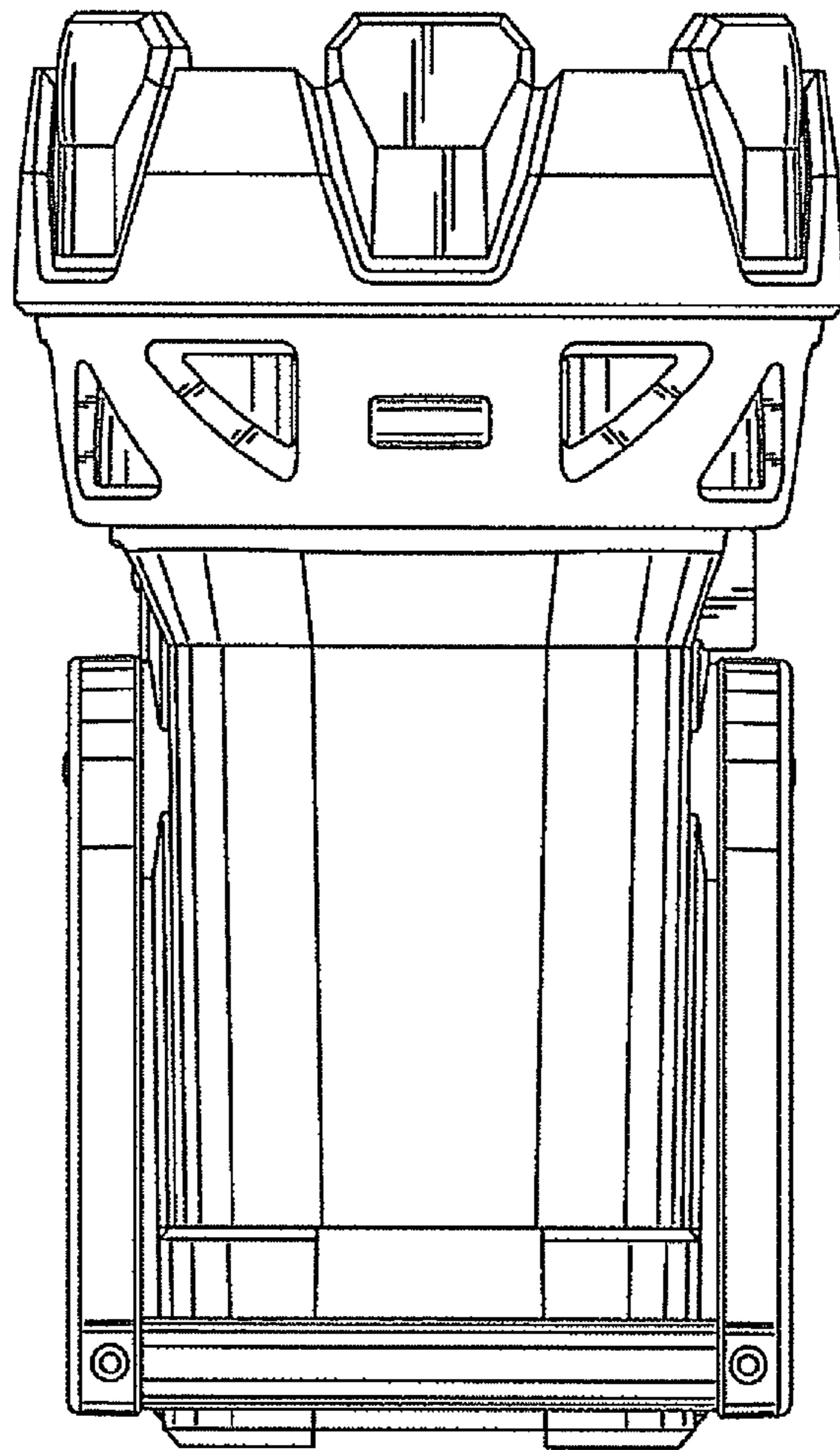


FIG. 4



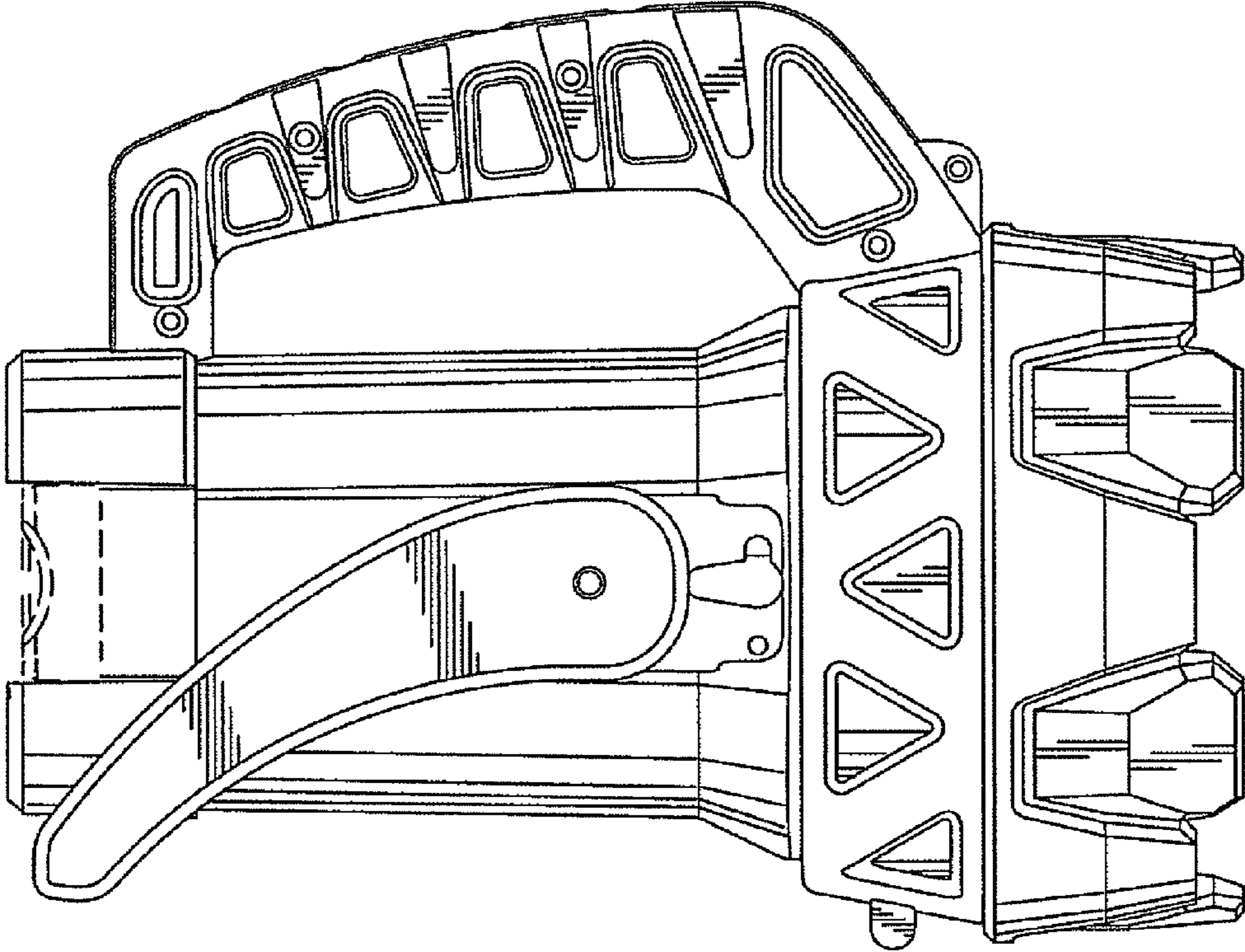


FIG. 5

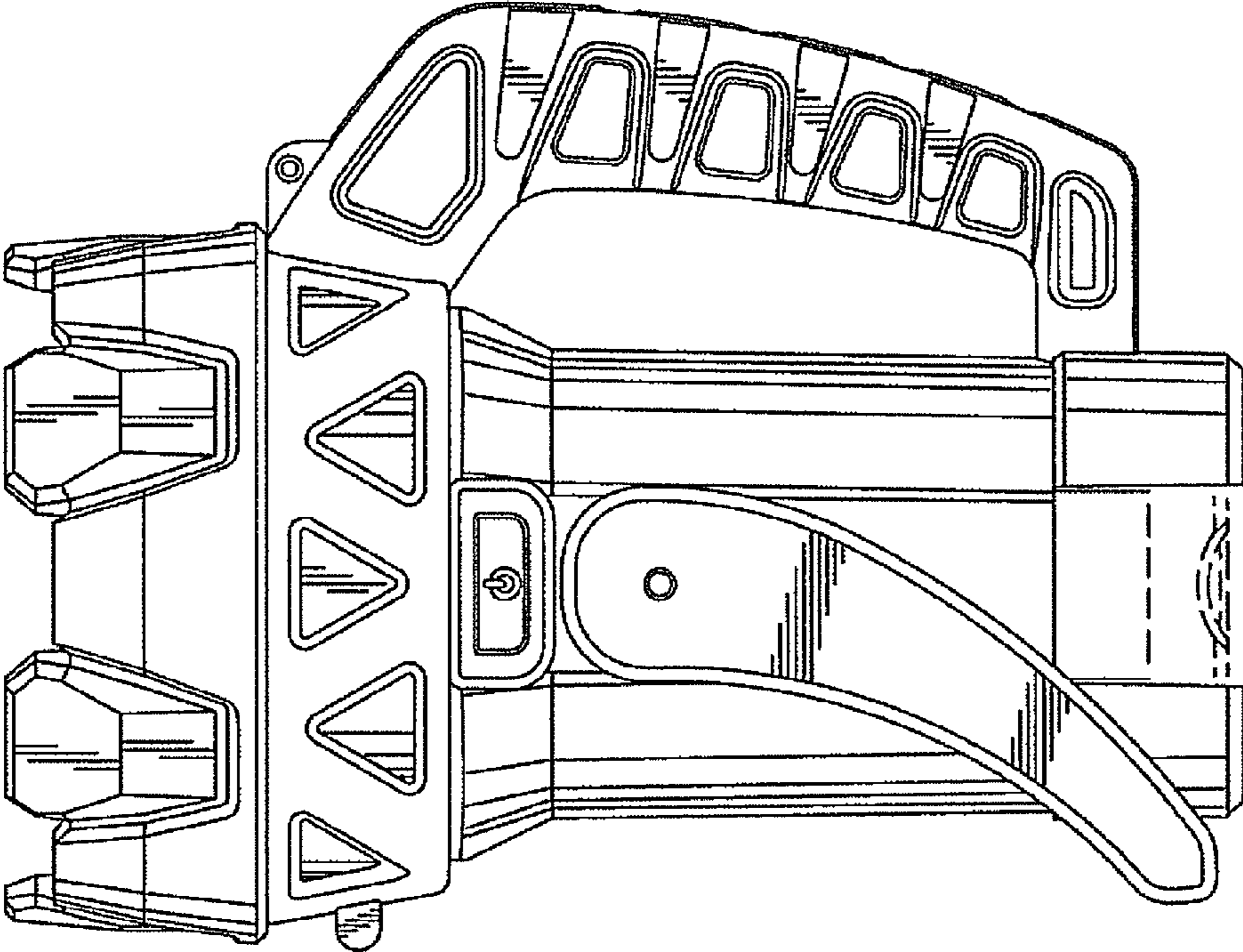


FIG. 6

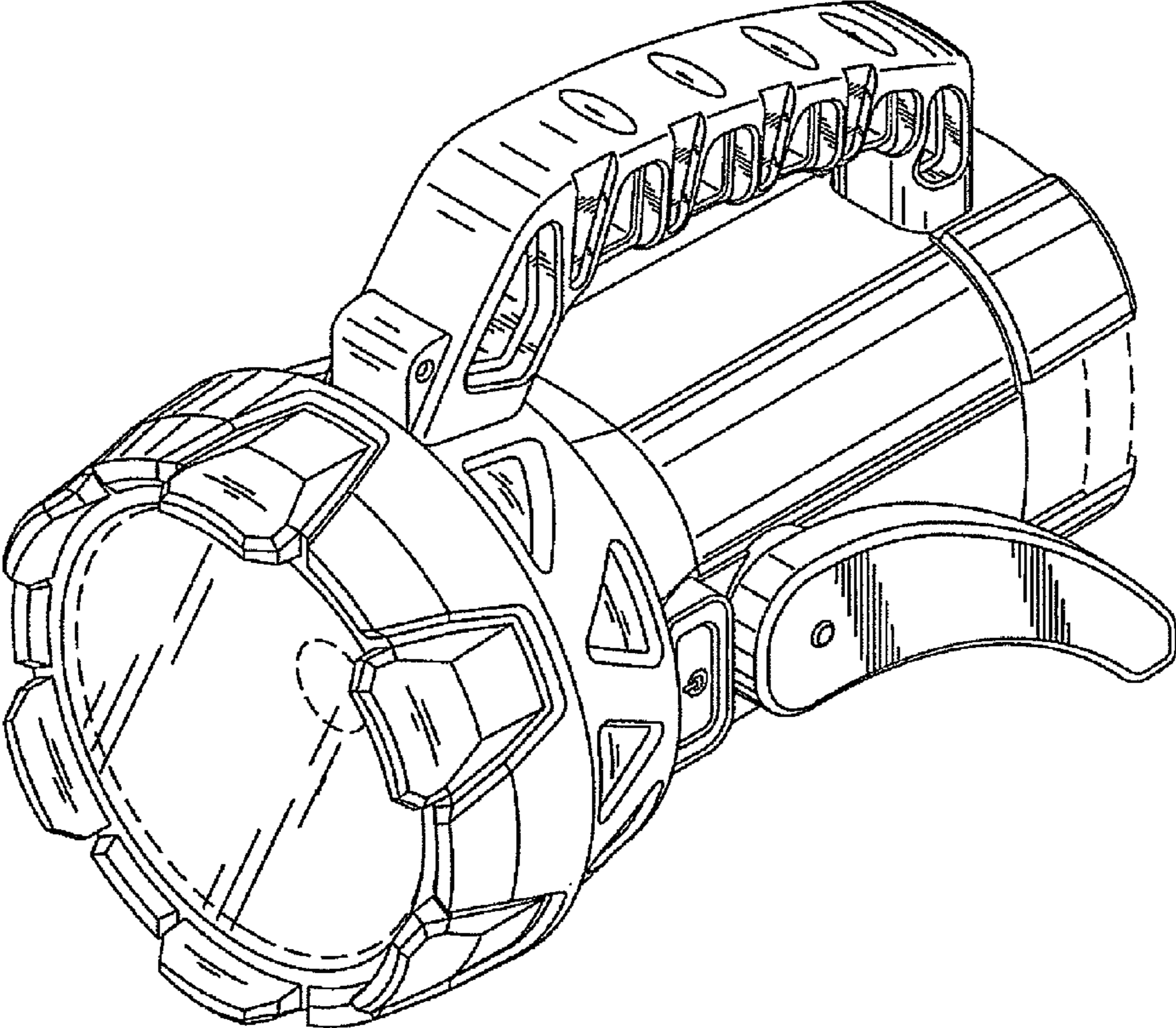


FIG. 7