



US00D713077S

(12) **United States Design Patent**
Hao

(10) **Patent No.:** **US D713,077 S**

(45) **Date of Patent:** **** Sep. 9, 2014**

(54) **FLASHLIGHT**

(75) Inventor: **Wang Shih Hao**, Tainan (TW)

(73) Assignee: **Daysun Technology Ltd.**, Tainin (TW)

(**) Term: **14 Years**

(21) Appl. No.: **29/432,226**

(22) Filed: **Sep. 14, 2012**

(51) **LOC (10) Cl.** **26-02**

(52) **U.S. Cl.**
USPC **D26/37**

(58) **Field of Classification Search**
USPC D26/37, 38, 42, 44-46; 362/157, 158,
362/171-174, 183, 184, 194-196, 200-208,
362/253
See application file for complete search history.

(56) **References Cited**

U.S. PATENT DOCUMENTS

2,784,305	A *	3/1957	Johnson et al.	362/258
D362,735	S *	9/1995	Hikomori	D26/37
D413,994	S *	9/1999	Clowers et al.	D26/44
D427,346	S *	6/2000	Schoen	D26/45
D427,697	S *	7/2000	Brazell et al.	D26/42
D445,925	S *	7/2001	Parker	D26/37
D461,266	S *	8/2002	Siu Cheong et al.	D26/45

D522,153	S *	5/2006	Krieger et al.	D26/45
D605,795	S *	12/2009	Baker et al.	D26/44
D629,938	S *	12/2010	Yuen	D26/45
D641,509	S *	7/2011	Wang	D26/46
D681,246	S *	4/2013	Keeley et al.	D26/44
D687,582	S *	8/2013	Kawase et al.	D26/44

* cited by examiner

Primary Examiner — Ian Simmons

Assistant Examiner — Carissa C Fitts

(74) *Attorney, Agent, or Firm* — Alan Kamrath; KAMRATH IP Lawfirm, P.A.

(57) **CLAIM**

The ornamental design for a flashlight, as shown and described.

DESCRIPTION

FIG. 1 is a perspective view of a flashlight showing my new design;

FIG. 2 is a front side elevational view thereof;

FIG. 3 is a rear side elevational view thereof;

FIG. 4 is a left side elevational view thereof;

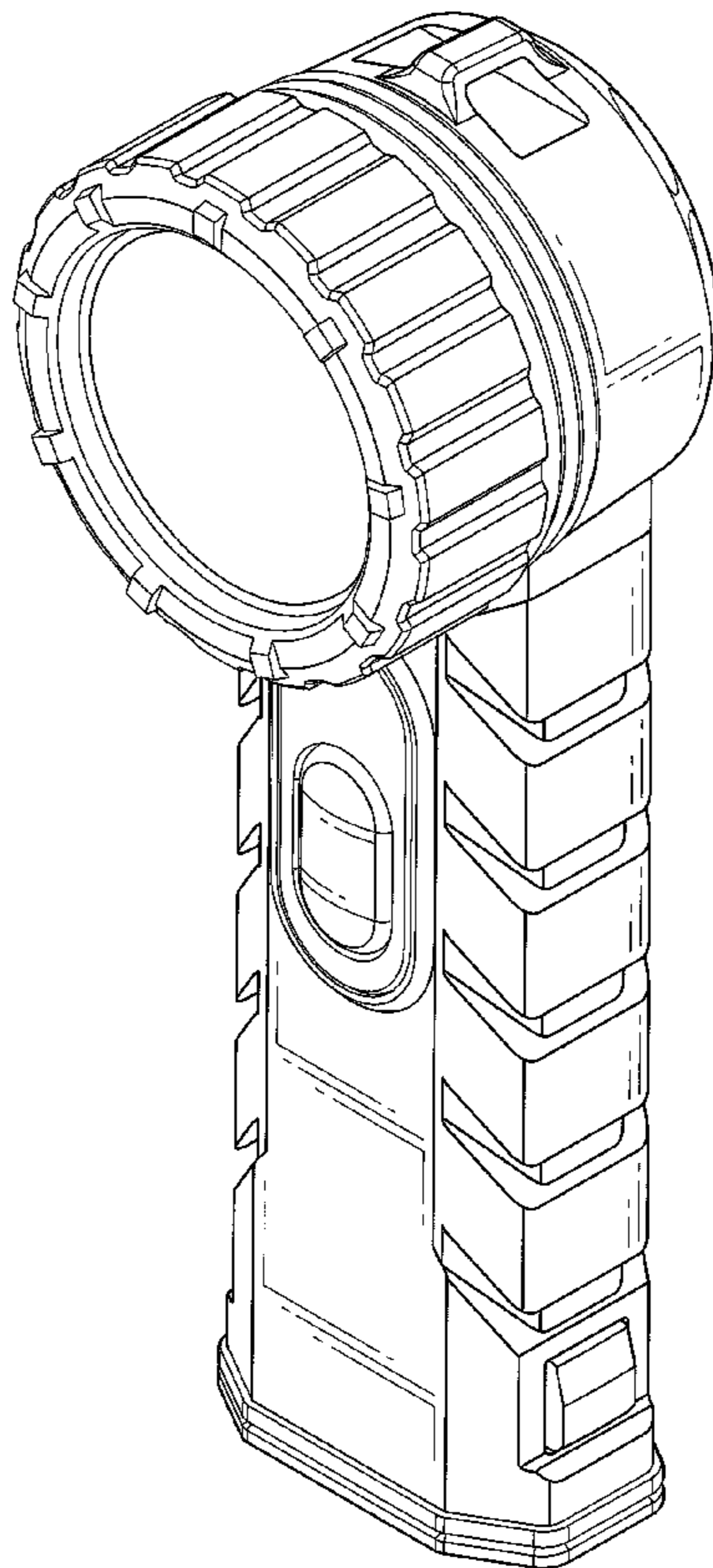
FIG. 5 is a right side elevational view thereof;

FIG. 6 is a top plan view thereof; and,

FIG. 7 is a bottom plan thereof.

The broken line showing is for environmental purposes only and forms no part of the claimed design.

1 Claim, 6 Drawing Sheets



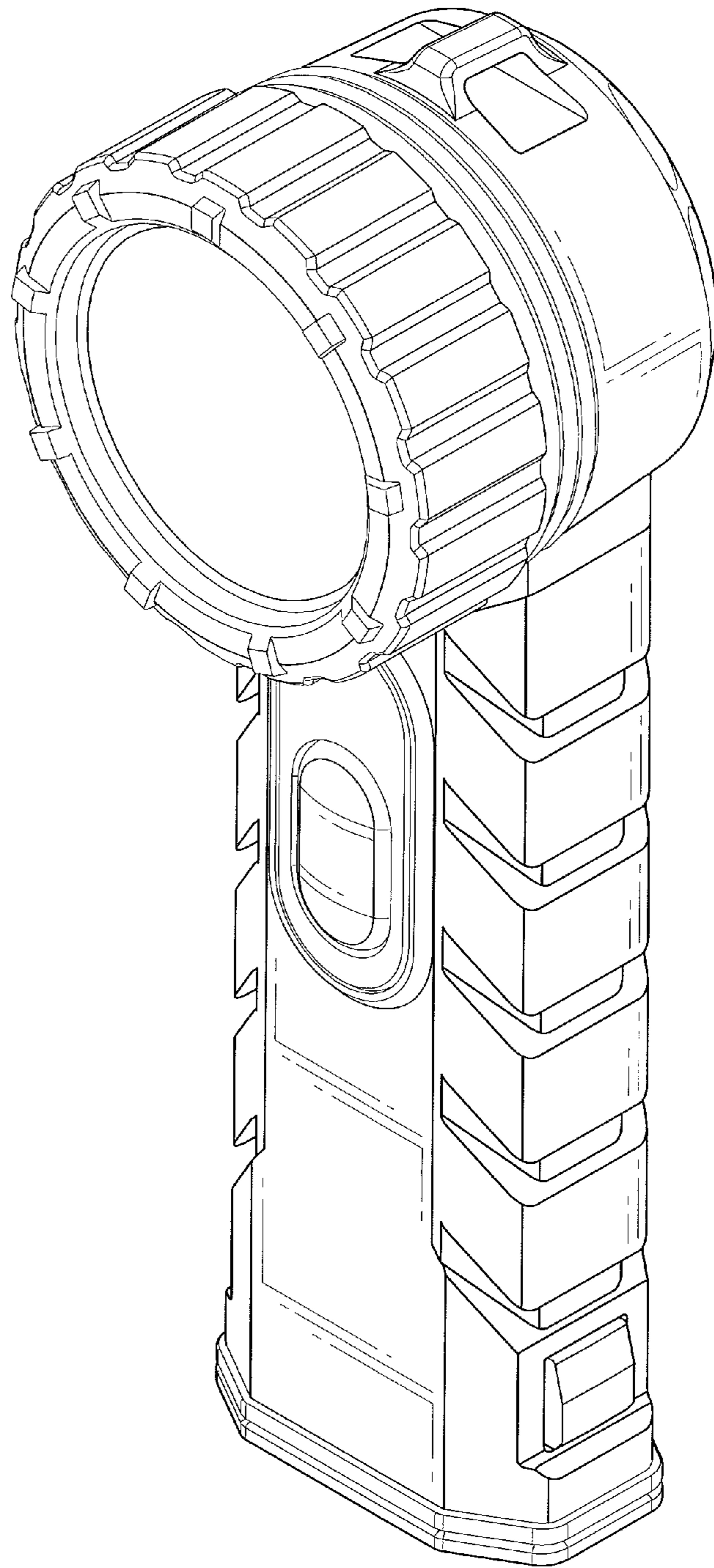


FIG. 1

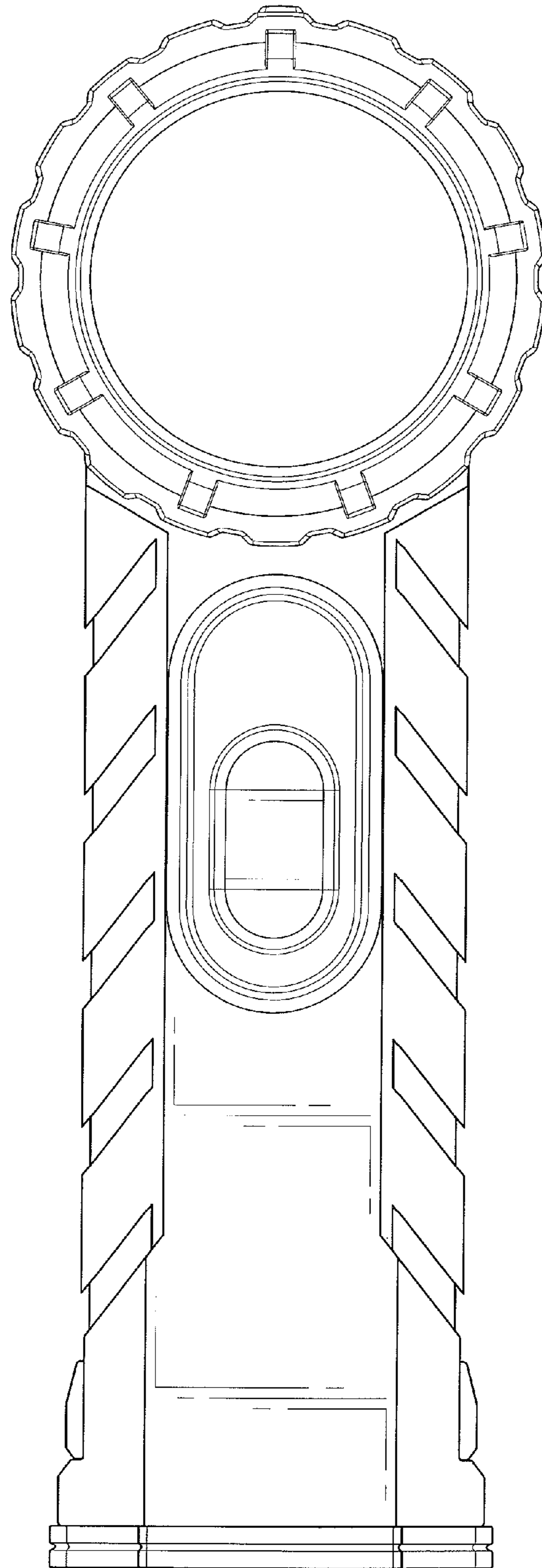


FIG. 2

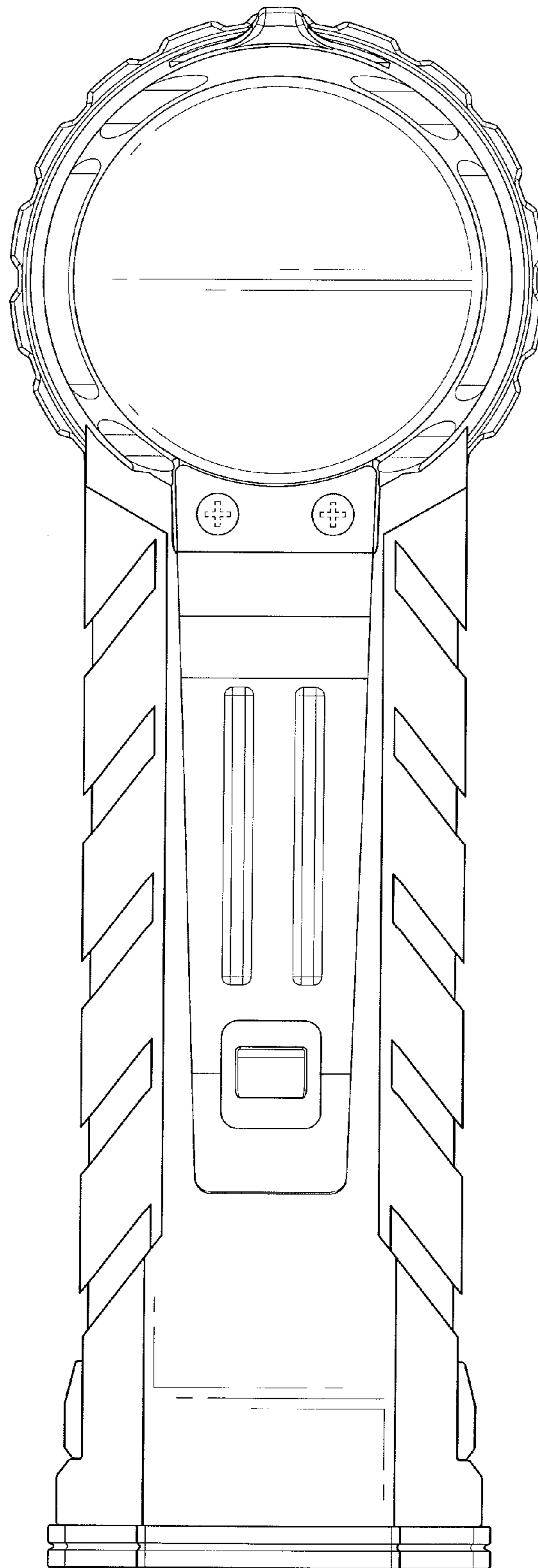


FIG. 3

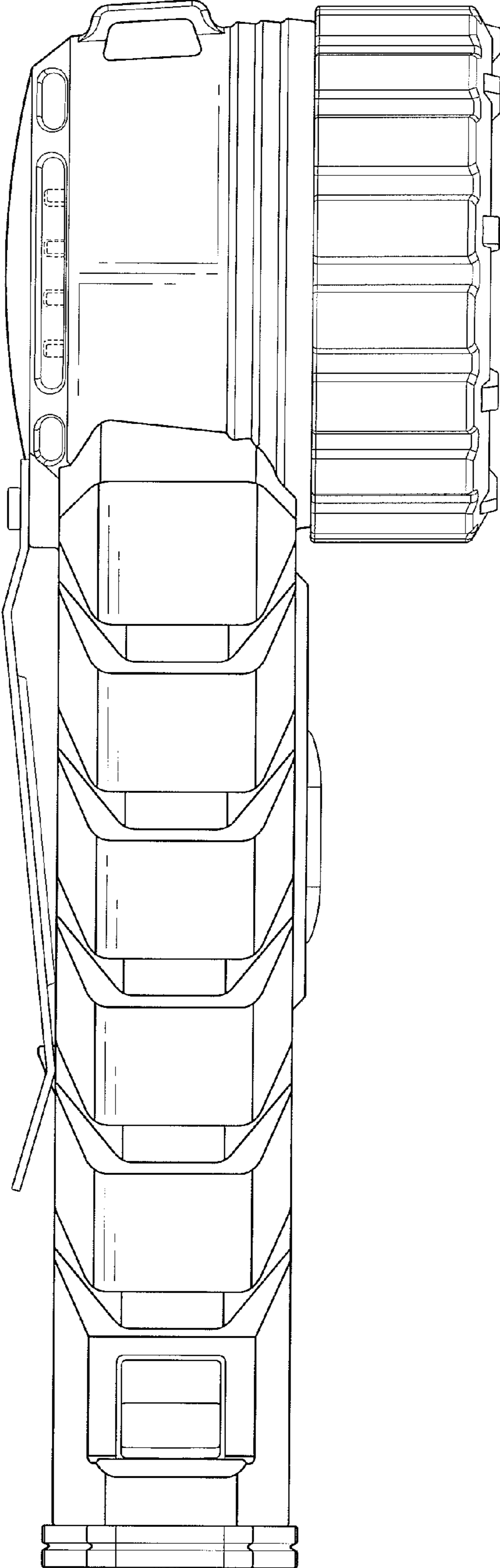


FIG. 4

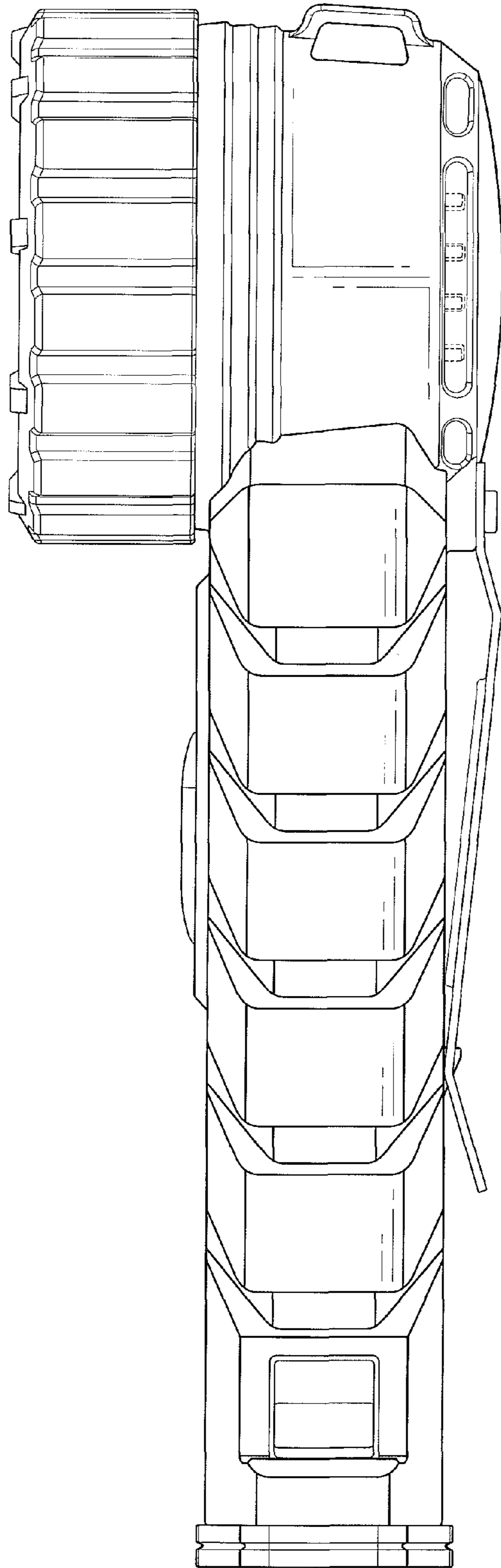


FIG. 5

FIG. 6

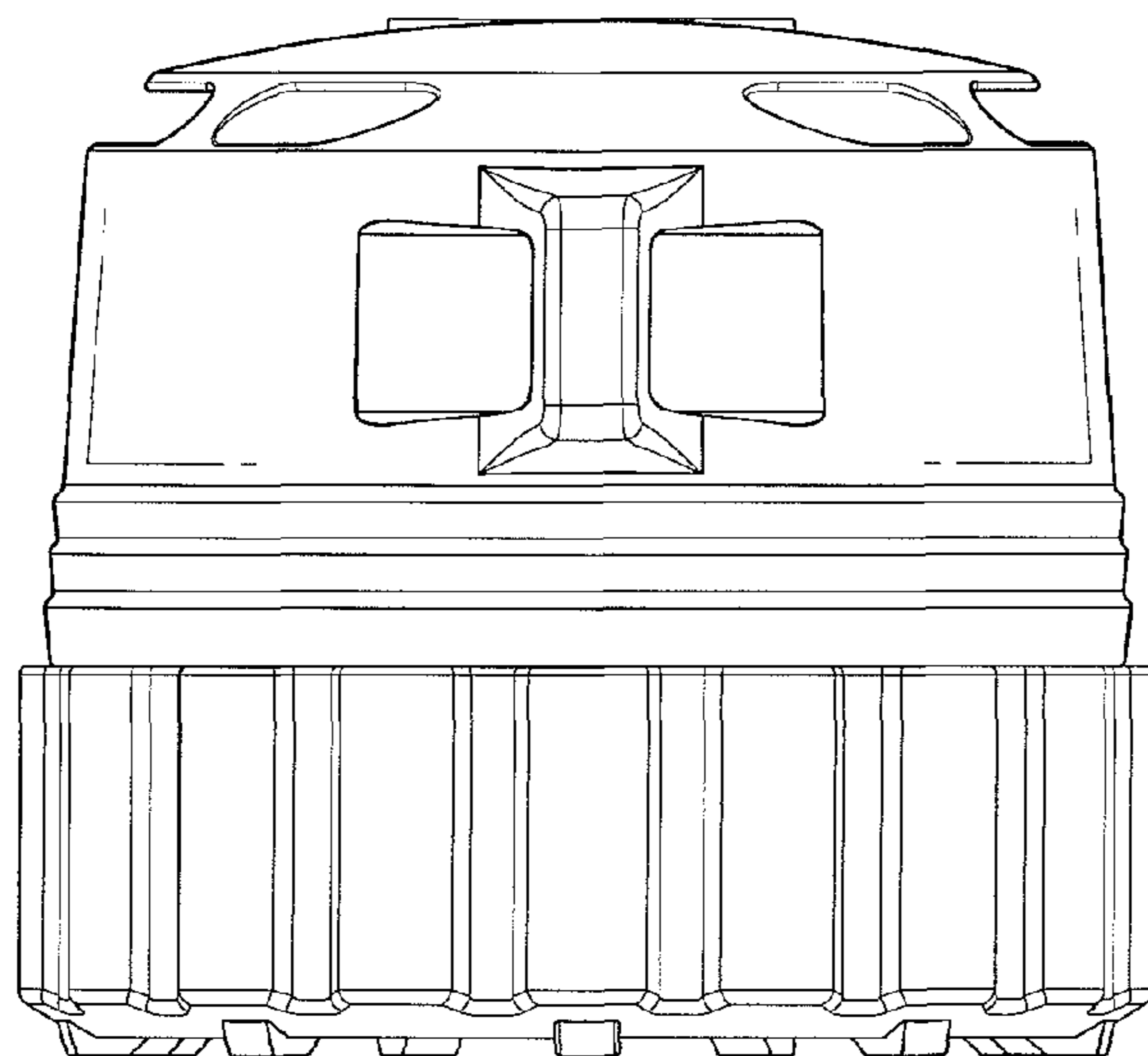


FIG. 7

