



US00D713076S

(12) **United States Design Patent**
von Waldthausen

(10) **Patent No.:** **US D713,076 S**

(45) **Date of Patent:** **** Sep. 9, 2014**

(54) **ELECTRIC TORCH**

(75) **Inventor:** **Daniel von Waldthausen**, Berlin (DE)

(73) **Assignee:** **Osram AG**, Munich (DE)

(**) **Term:** **14 Years**

(21) **Appl. No.:** **29/408,756**

(22) **Filed:** **Dec. 16, 2011**

(30) **Foreign Application Priority Data**

Jul. 1, 2011 (EM) 001885757

(51) **LOC (10) Cl.** **26-02**

(52) **U.S. Cl.**
USPC **D26/37**

(58) **Field of Classification Search**
USPC D26/37, 46, 49, 38, 51, 60, 39;
362/157, 158, 183, 184, 194-196, 198,
362/200-208, 103, 105, 108, 253
See application file for complete search history.

(56) **References Cited**

U.S. PATENT DOCUMENTS

D361,633 S * 8/1995 Chabria D26/37
D395,720 S * 6/1998 Galli D26/37
D396,120 S * 7/1998 Petruzzi D26/37
6,497,495 B1 * 12/2002 Janz 362/194
D524,469 S * 7/2006 Pitot et al. D26/37

D524,974 S * 7/2006 Zernov D26/60
D552,277 S * 10/2007 Chue D26/37
D580,078 S * 11/2008 Lee D26/37
D580,573 S * 11/2008 Leslie et al. D26/37
D602,186 S * 10/2009 Lee D26/37
D609,377 S * 2/2010 Taiga D26/60
D633,239 S * 2/2011 Chen D26/41
D633,635 S * 3/2011 Poon D26/60
D638,964 S * 5/2011 Cappuccio D26/39
D639,494 S * 6/2011 Schrimmer D26/104
D648,470 S * 11/2011 Rains D26/60
D653,382 S * 1/2012 Sekowski et al. D26/118

* cited by examiner

Primary Examiner — Ian Simmons
Assistant Examiner — Carissa C Fitts

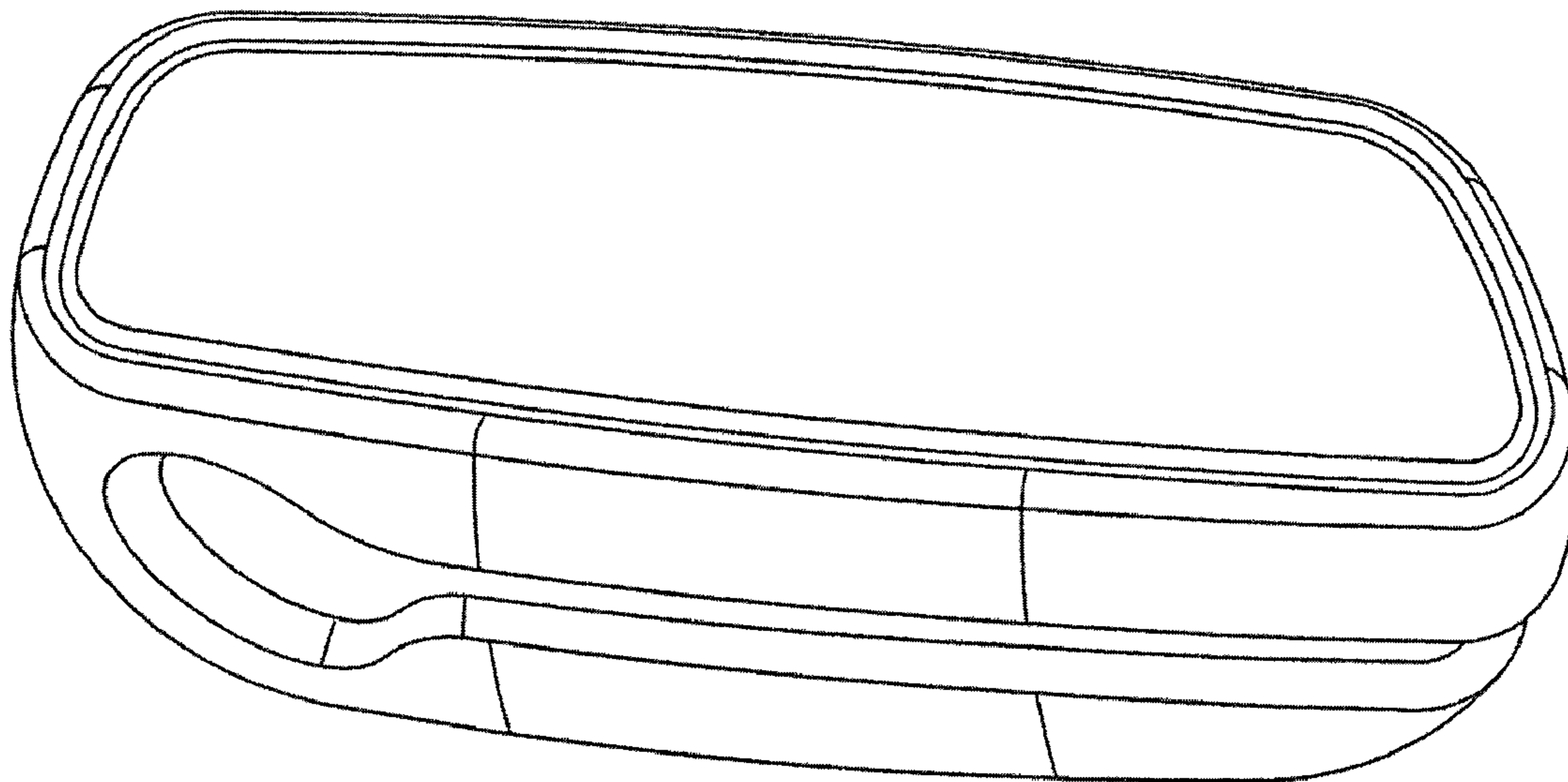
(57) **CLAIM**

The ornamental design for an electric torch, as shown and described.

DESCRIPTION

FIG. 1 is a perspective view of an electric torch;
FIG. 2 is a first side view of the electric torch;
FIG. 3 is a second side view of the electric torch;
FIG. 4 is a back view of the electric torch;
FIG. 5 is a front view of the electric torch;
FIG. 6 is a top view of the electric torch; and,
FIG. 7 is a bottom view of the electric torch.

1 Claim, 7 Drawing Sheets



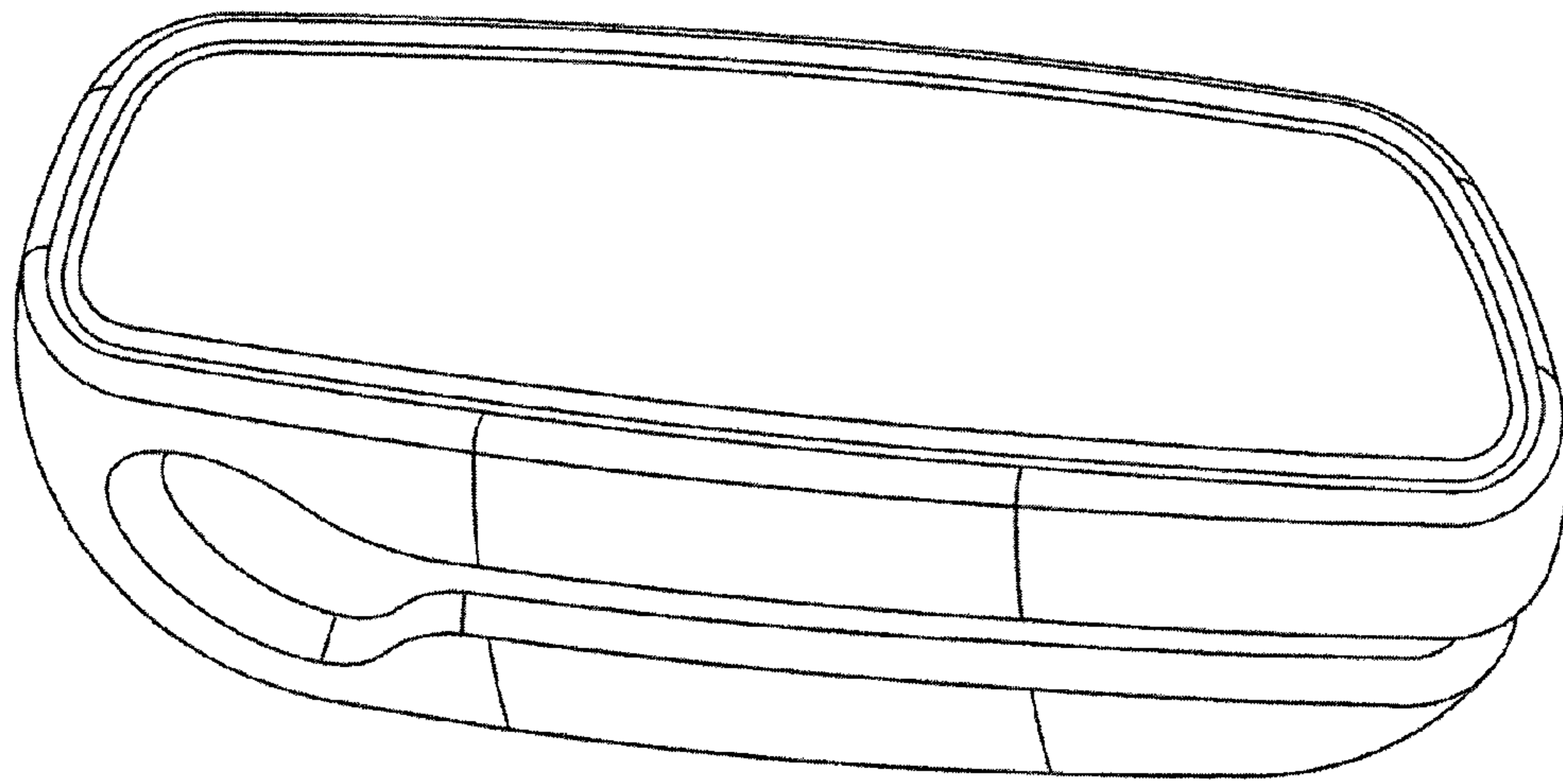


FIG 1

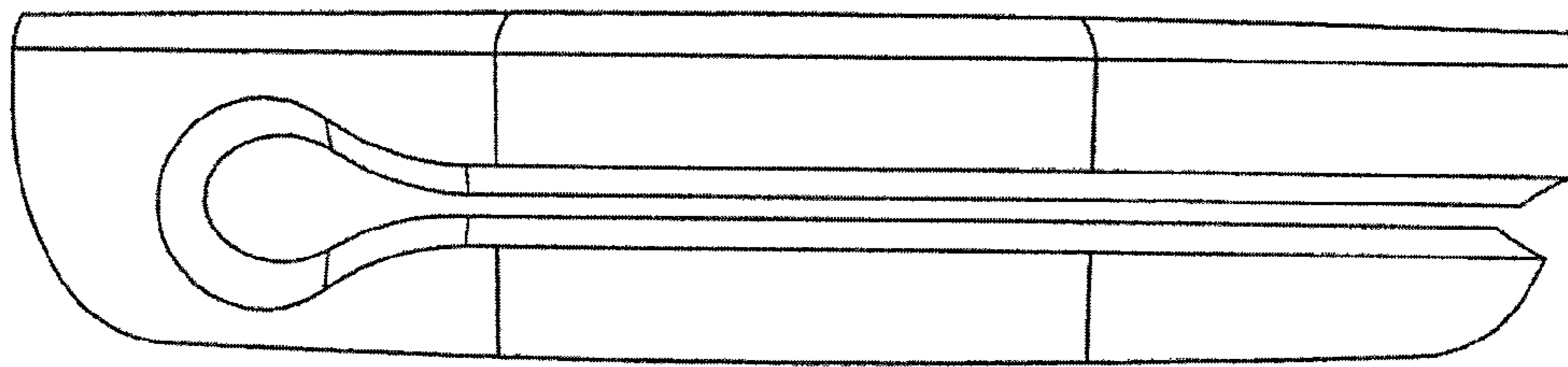


FIG 2

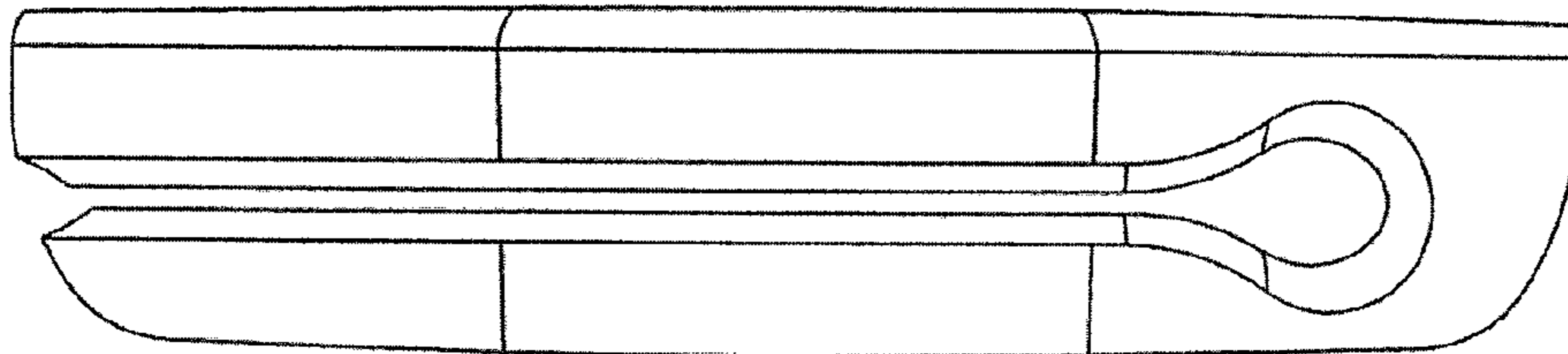


FIG 3

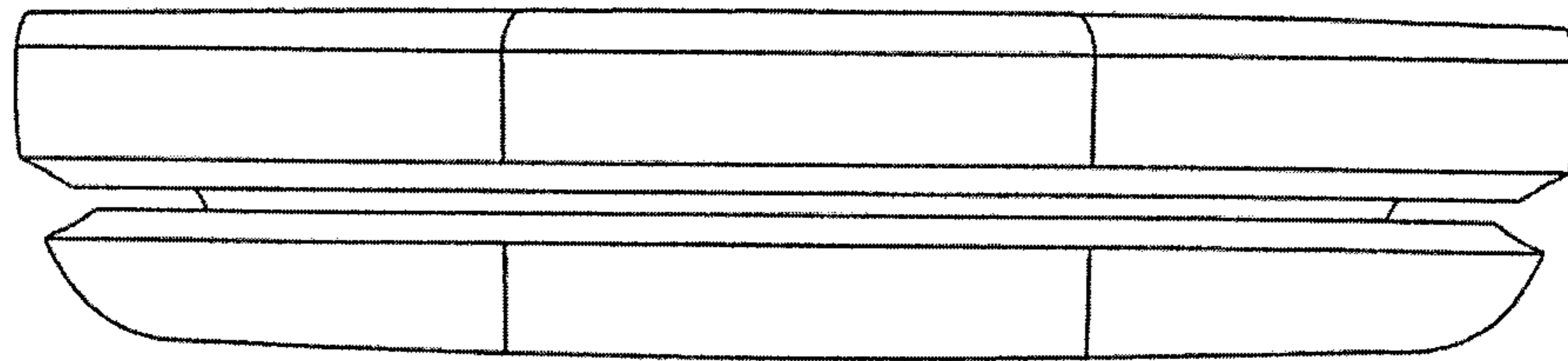


FIG 4

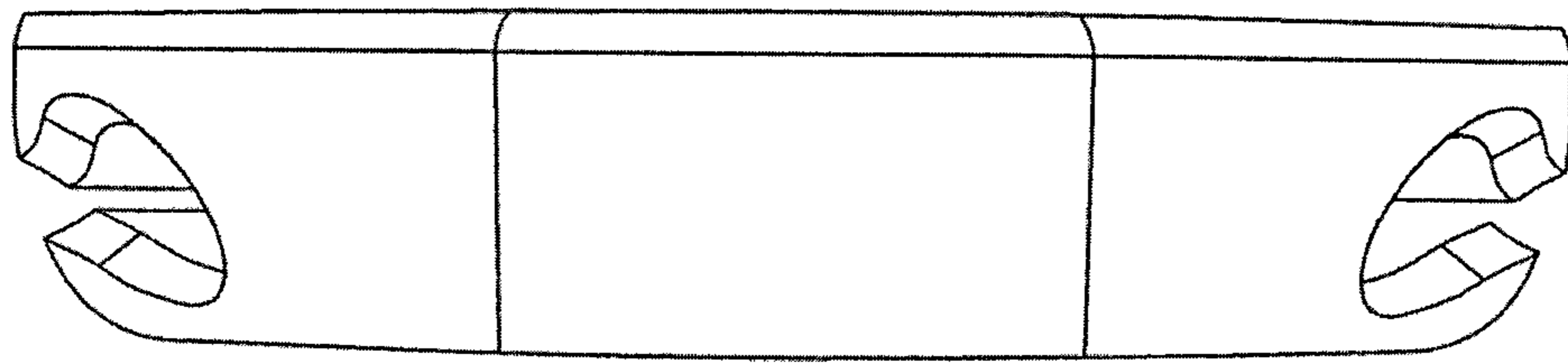


FIG 5

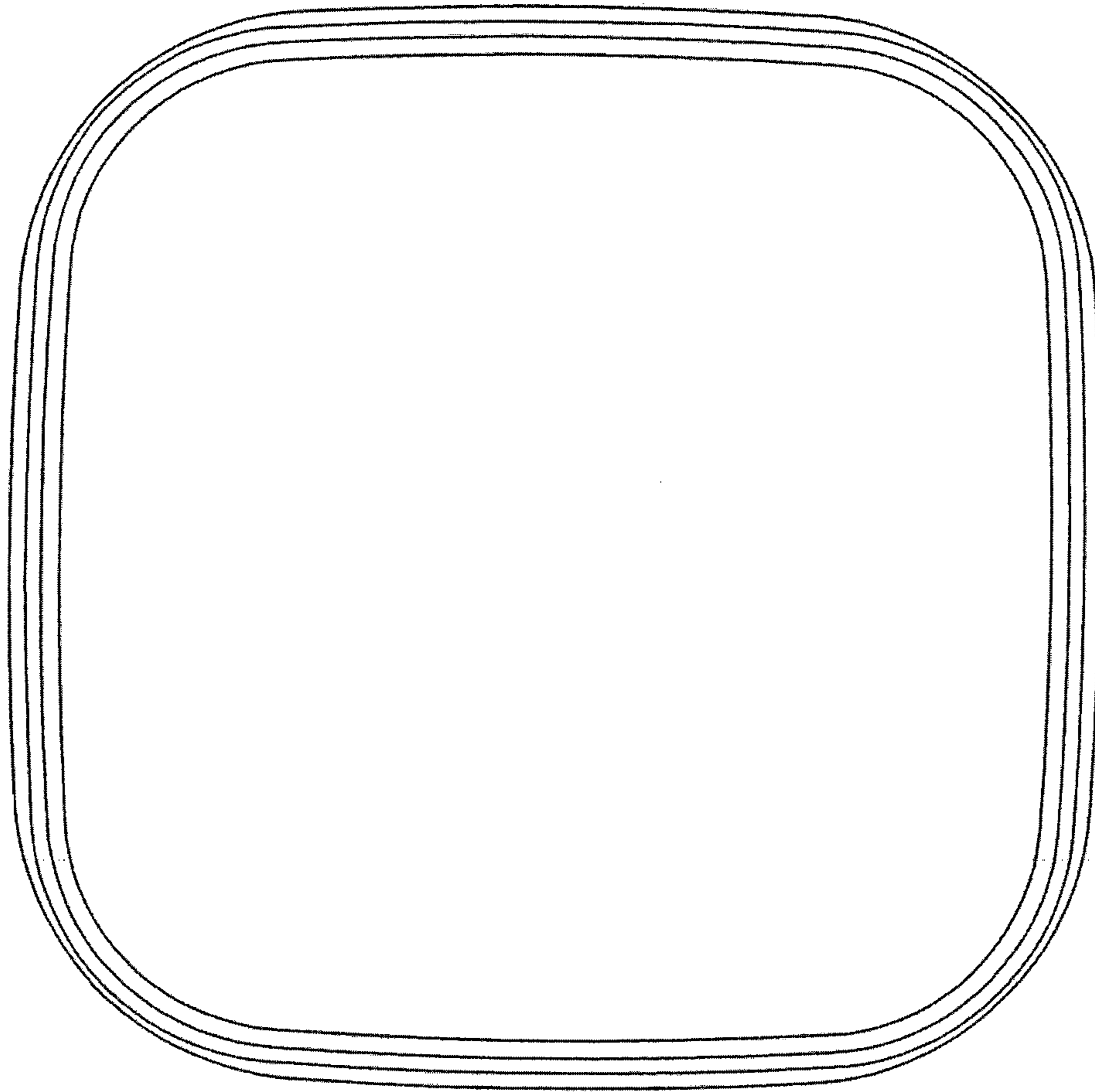


FIG 6

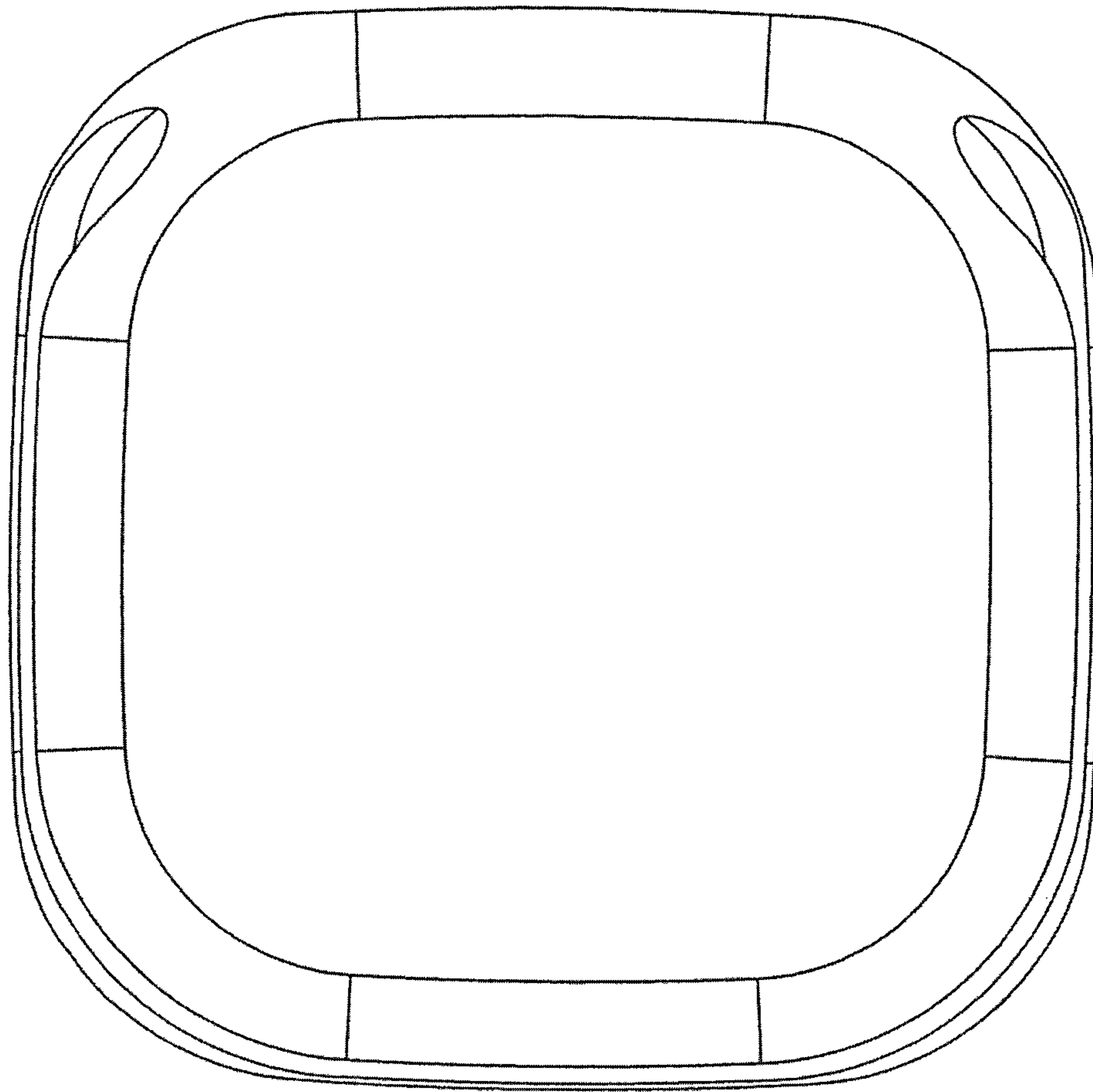


FIG 7