



US00D713075S

(12) **United States Design Patent**  
**Lee**

(10) **Patent No.:** **US D713,075 S**  
(45) **Date of Patent:** **\*\* Sep. 9, 2014**

(54) **VEHICLE LAMP**

(71) Applicant: **Wen-Sung Lee**, Taichung (TW)

(72) Inventor: **Wen-Sung Lee**, Taichung (TW)

(\*\*) Term: **14 Years**

(21) Appl. No.: **29/452,636**

(22) Filed: **Apr. 19, 2013**

(51) **LOC (10) Cl.** ..... **26-06**

(52) **U.S. Cl.**  
USPC ..... **D26/28**

(58) **Field of Classification Search**  
USPC ..... D26/28-36; 362/459-468, 475-478,  
362/485-487  
See application file for complete search history.

(56) **References Cited**

**U.S. PATENT DOCUMENTS**

D490,172 S \* 5/2004 Yamamoto ..... D26/28  
D554,279 S \* 10/2007 Jeffries ..... D26/28

D564,683 S \* 3/2008 Roach et al. .... D26/28  
D570,009 S \* 5/2008 Kani et al. .... D26/28  
D574,978 S \* 8/2008 Hyodo et al. .... D26/28  
D688,399 S \* 8/2013 Adams ..... D26/28

\* cited by examiner

*Primary Examiner* — Marcus Jackson

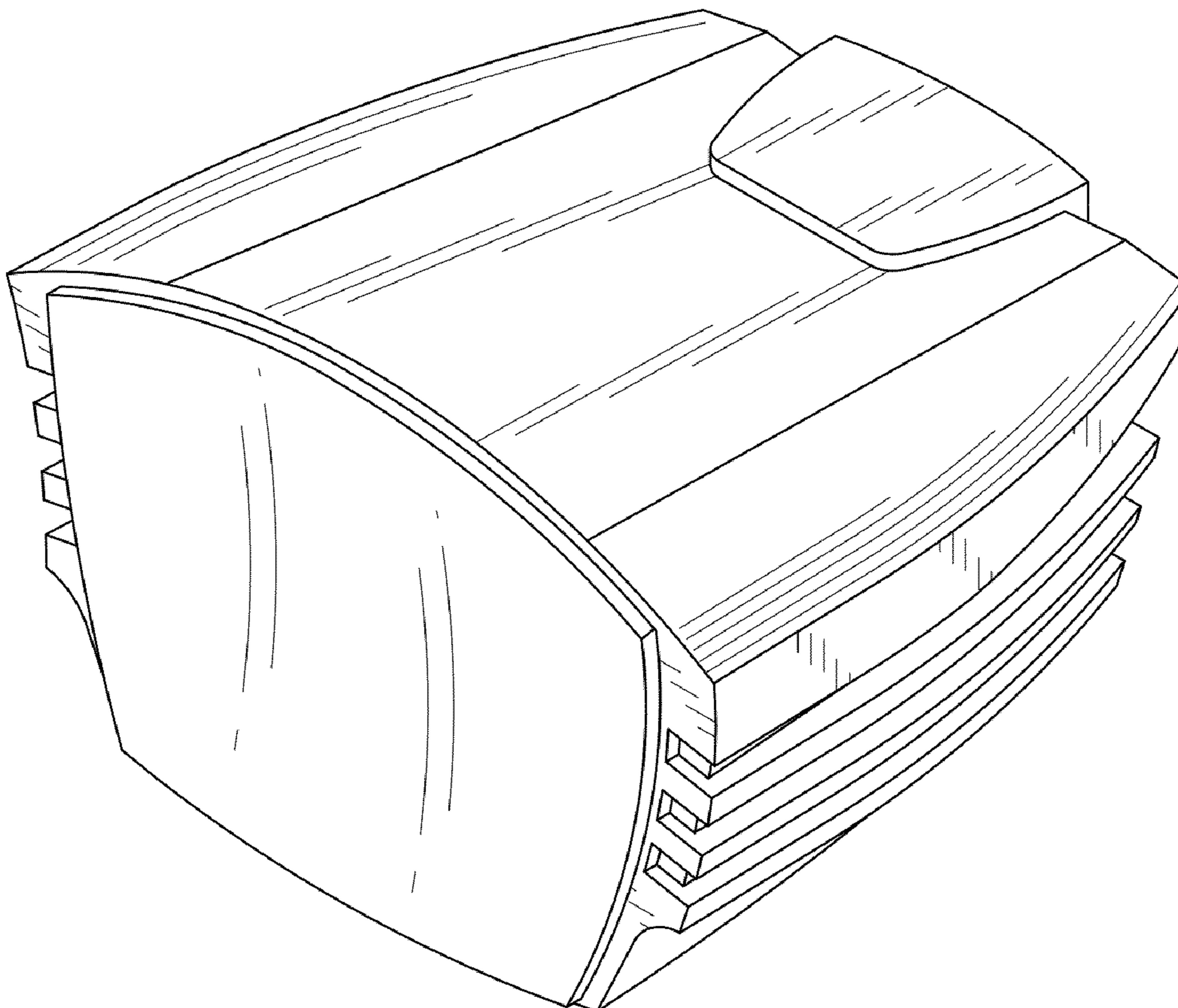
(57) **CLAIM**

The ornamental design for a vehicle lamp, as shown and described.

**DESCRIPTION**

FIG. 1 is a perspective view of a vehicle lamp showing my new design;  
FIG. 2 is a front elevational view thereof;  
FIG. 3 is a rear elevational view thereof;  
FIG. 4 is a left side view thereof;  
FIG. 5 is a right side view thereof;  
FIG. 6 is a top plan view thereof; and,  
FIG. 7 is a bottom plan view thereof.

**1 Claim, 5 Drawing Sheets**



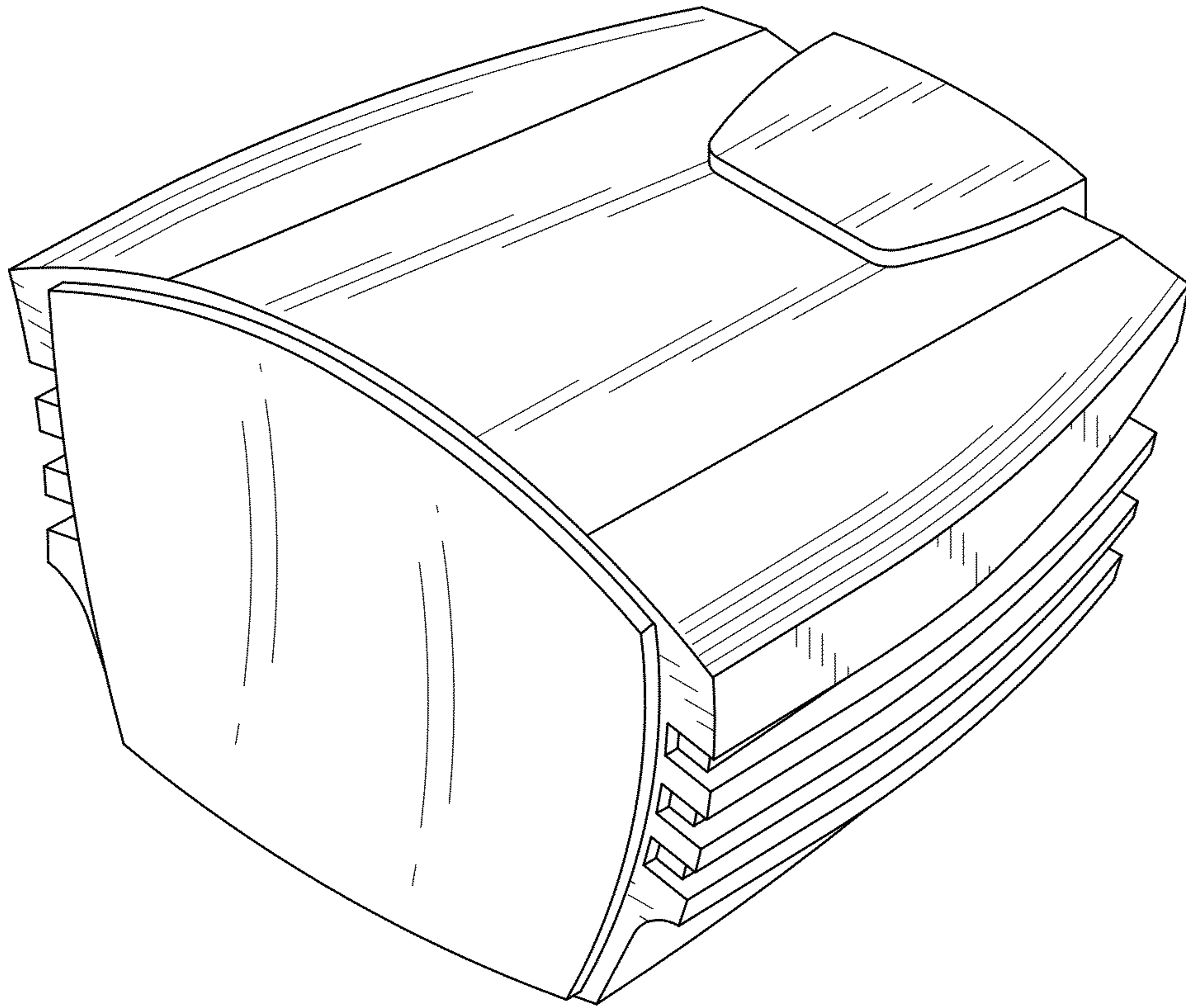


FIG.1

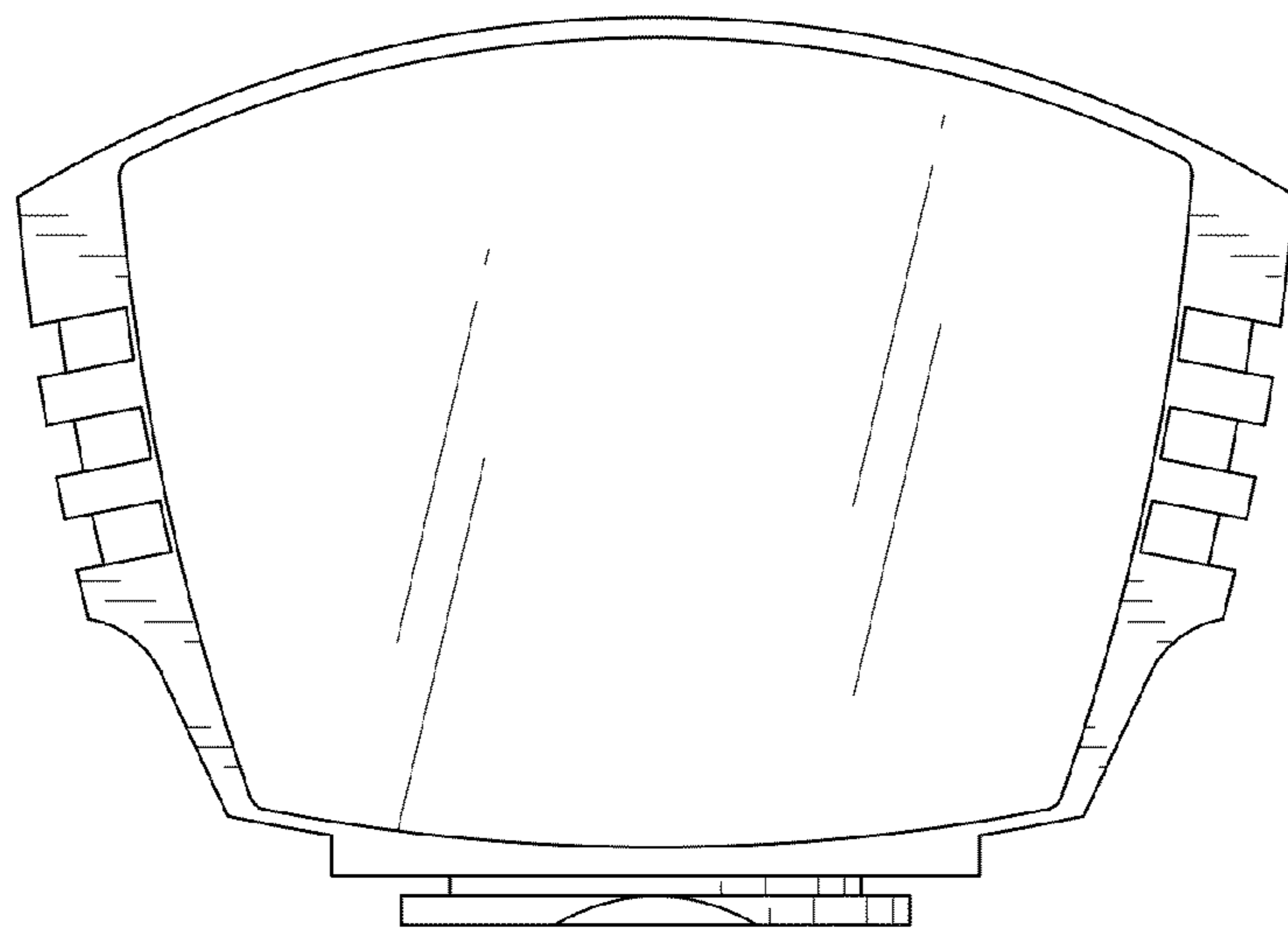


FIG. 2

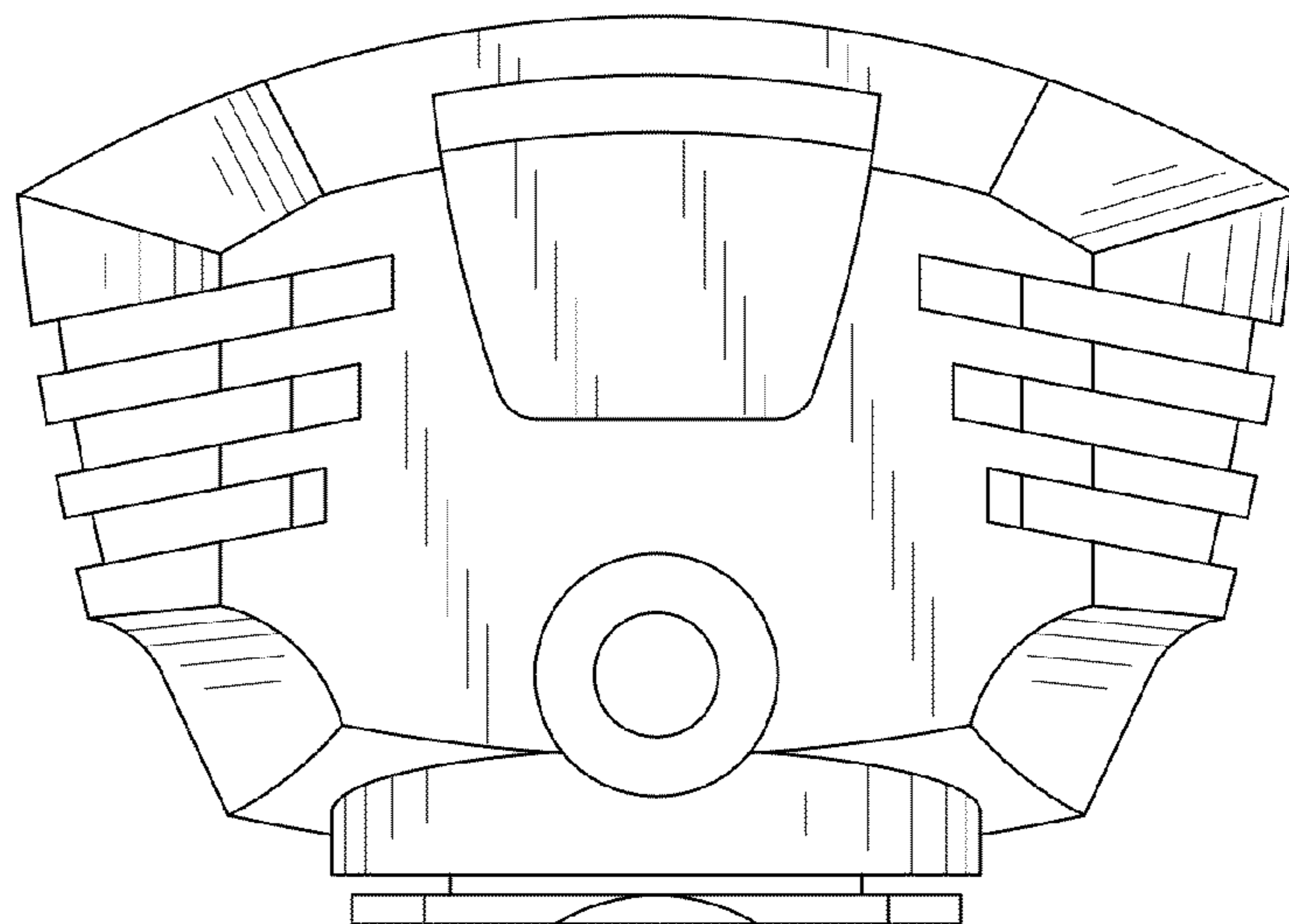


FIG. 3

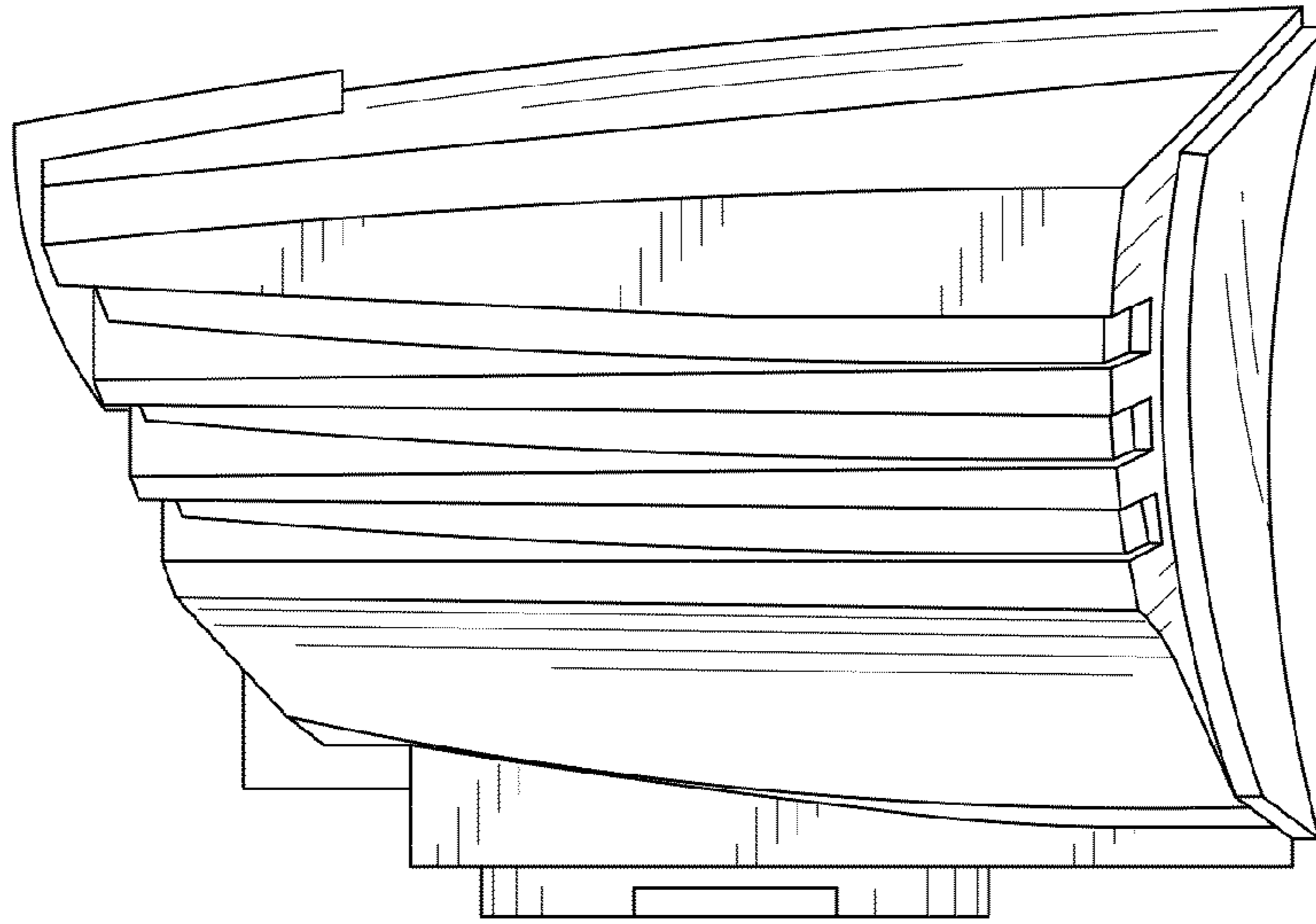


FIG.4

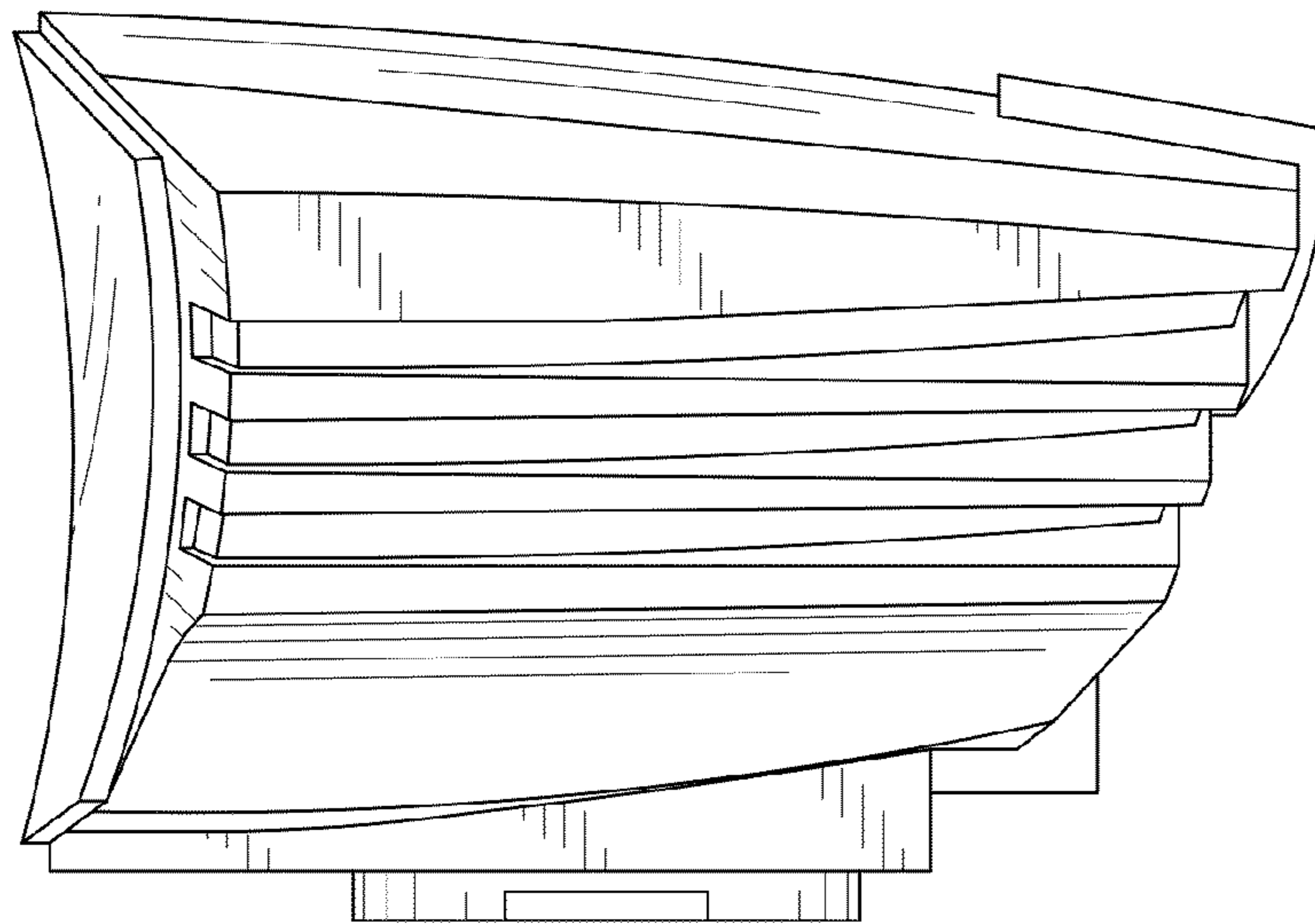


FIG.5

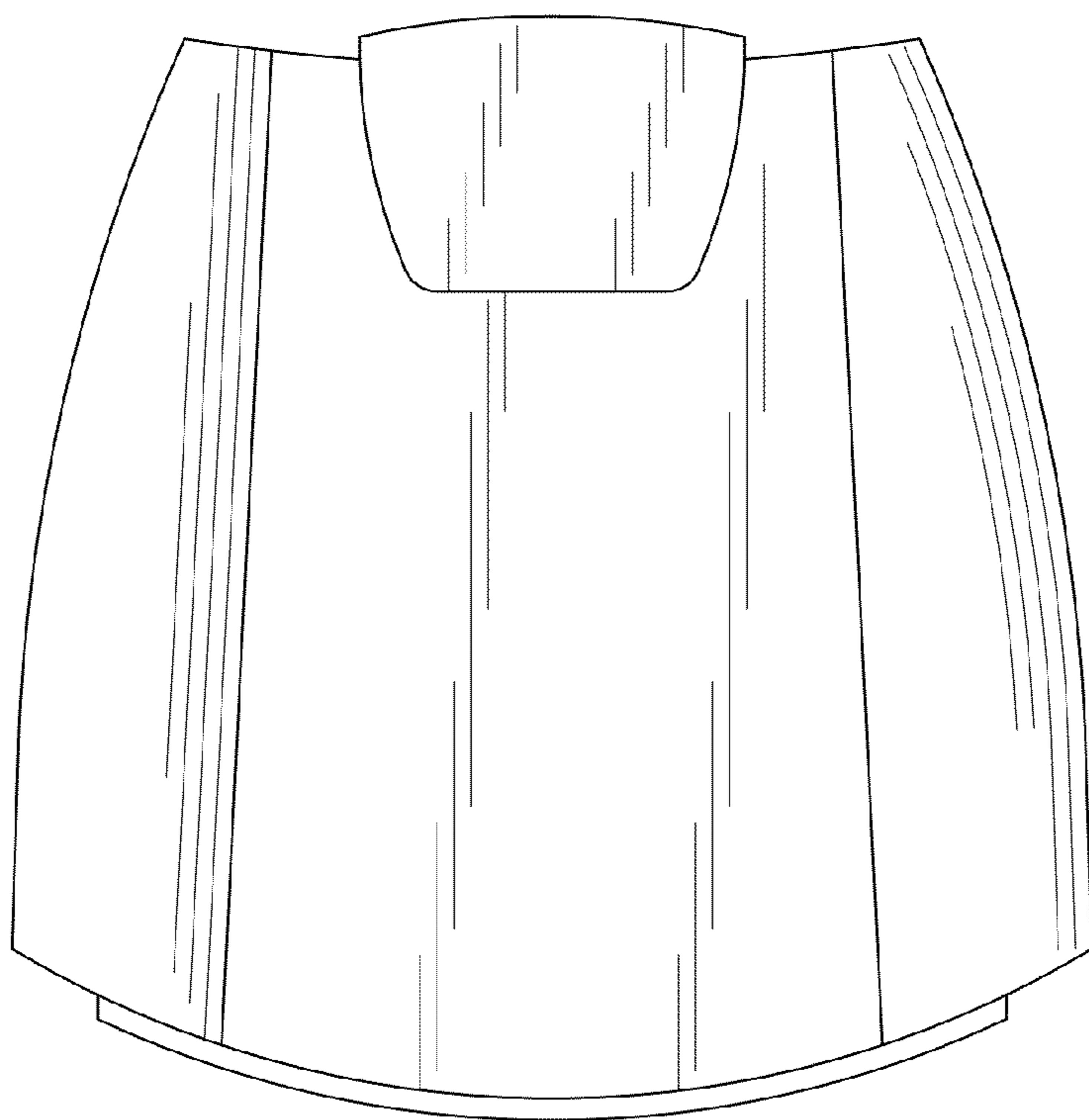


FIG.6



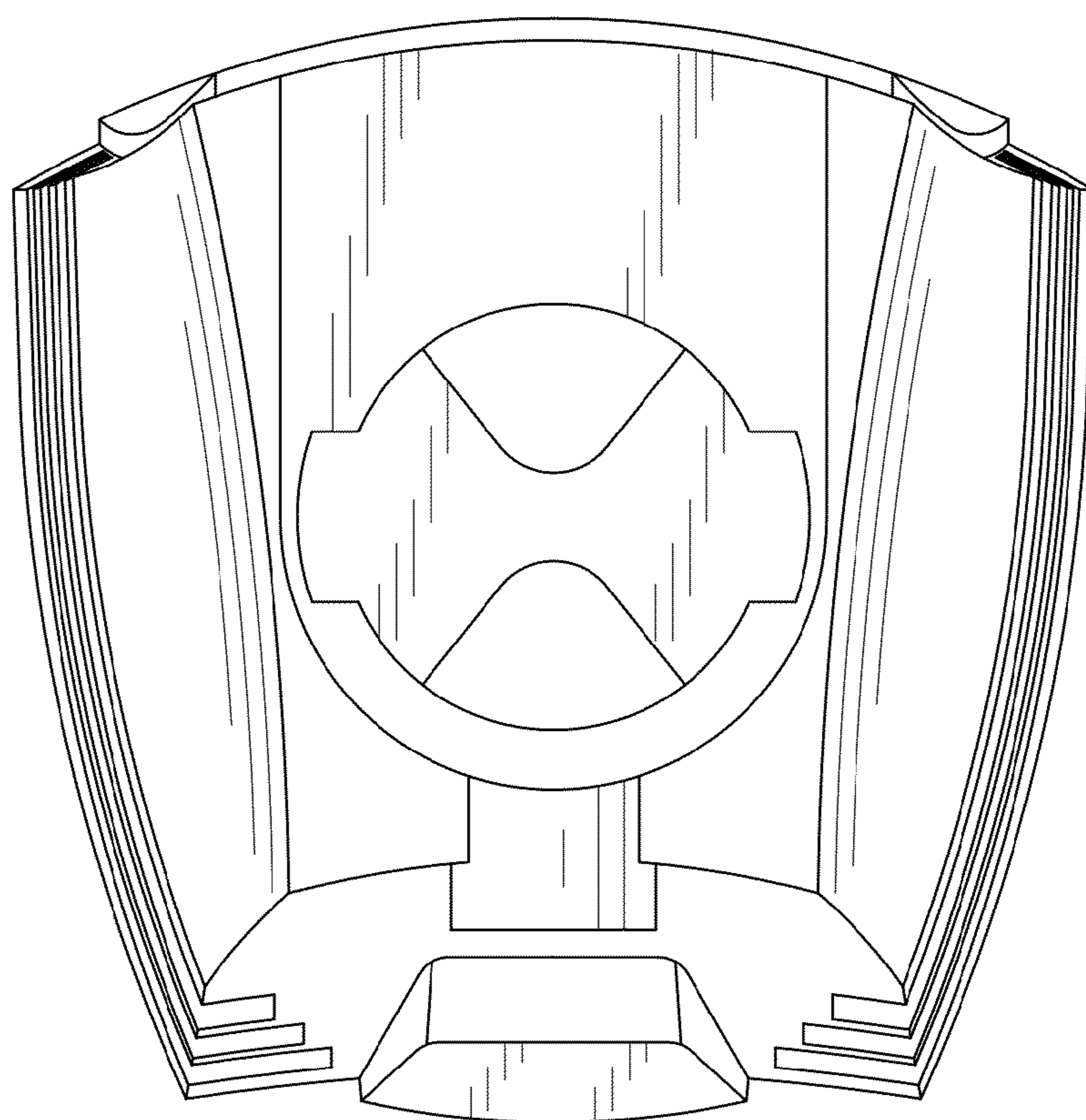


FIG.7