



US00D713072S

(12) **United States Design Patent**
Phutrakool et al.

(10) **Patent No.:** **US D713,072 S**
(45) **Date of Patent:** **** Sep. 9, 2014**

(54) **HEADLAMP FOR A MOTOR SCOOTER**

D569,015 S * 5/2008 Tsukui et al. D26/28
D573,734 S * 7/2008 Watanabe et al. D26/28
D617,020 S * 6/2010 Ishiguri et al. D26/28

(71) Applicant: **Honda Motor Co., Ltd.**, Tokyo (JP)

* cited by examiner

(72) Inventors: **Sirasit Phutrakool**, Bangkok (TH);
Charnchai Jarngrasert, Bangkok (TH)

Primary Examiner — Marcus Jackson

(73) Assignee: **Honda Motor Co., Ltd.**, Tokyo (JP)

(74) *Attorney, Agent, or Firm* — Westerman, Hattori,
Daniels & Adrian, LLP

(**) Term: **14 Years**

(21) Appl. No.: **29/433,128**

(57) **CLAIM**

(22) Filed: **Sep. 26, 2012**

The ornamental design for a headlight for a motor scooter, as shown and described.

(30) **Foreign Application Priority Data**

Mar. 26, 2012 (JP) 2012-006830

DESCRIPTION

(51) **LOC (10) Cl.** **26-06**

(52) **U.S. Cl.**
USPC **D26/28**

(58) **Field of Classification Search**
USPC D26/28-36; 362/459-468, 475-478,
362/485-487
See application file for complete search history.

FIG. 1 is a front elevational view of a headlight showing our new design;
FIG. 2 is a top plan view thereof;
FIG. 3 is a bottom plan view thereof;
FIG. 4 is a right side elevational view thereof;
FIG. 5 is a left side elevational view thereof;
FIG. 6 is a right, front perspective view thereof; and,
FIG. 7 is a left, front perspective view thereof.
The broken lines represent environmental structure and form no part of the claimed design.

(56) **References Cited**

U.S. PATENT DOCUMENTS

D552,274 S * 10/2007 Tanaka et al. D26/28
D568,501 S * 5/2008 Nakazawa et al. D26/28

1 Claim, 3 Drawing Sheets

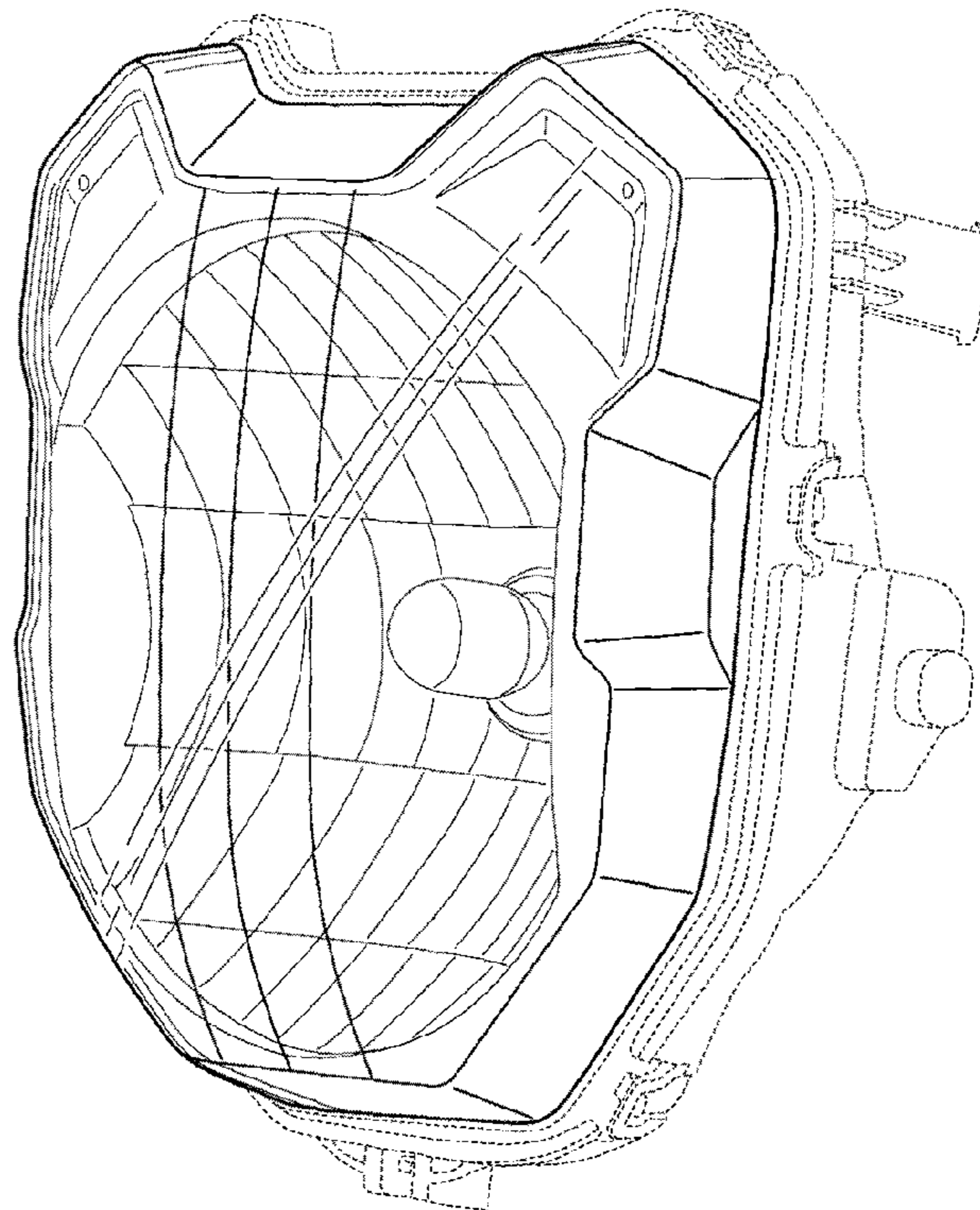


FIG.1

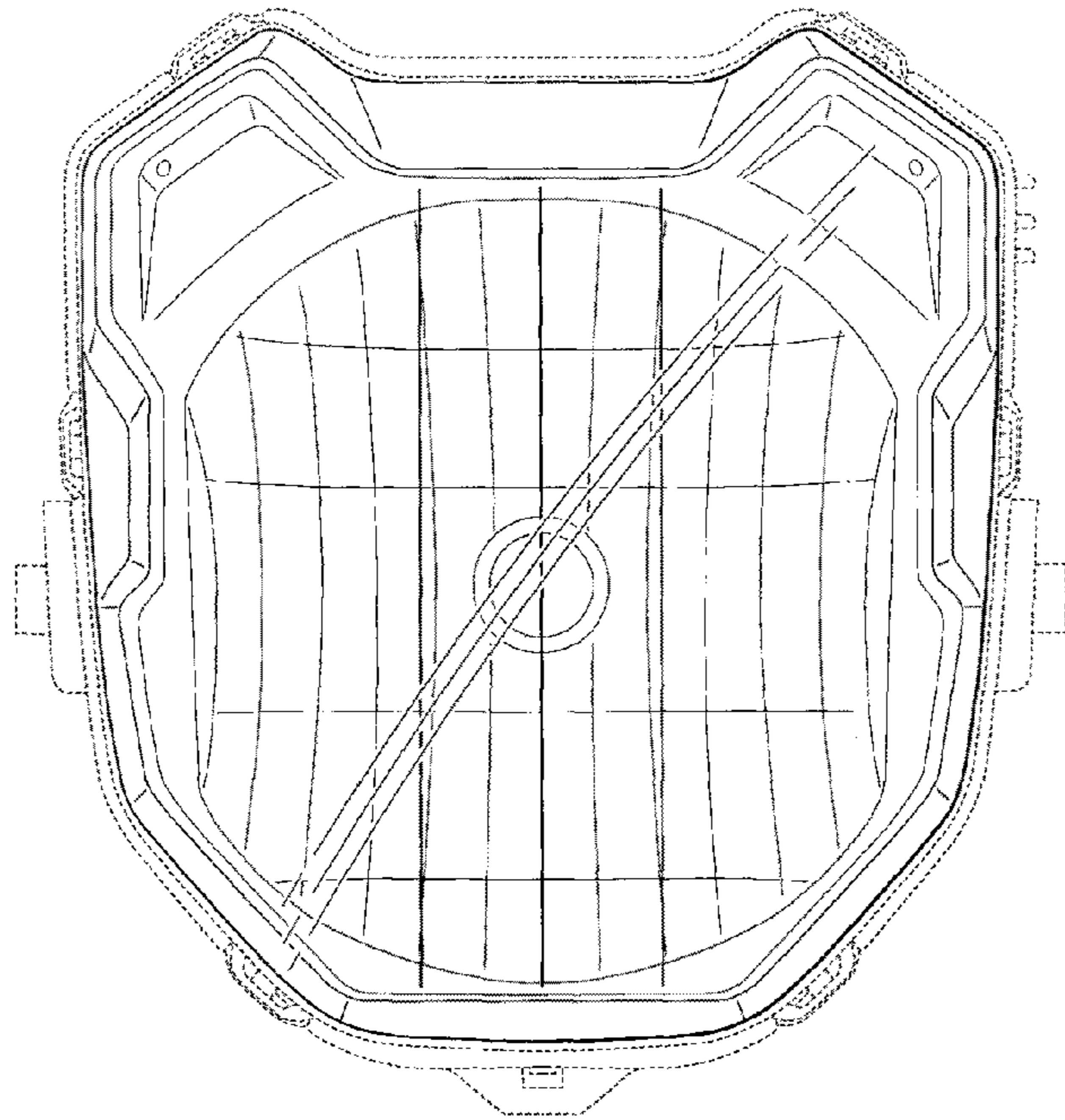


FIG.2

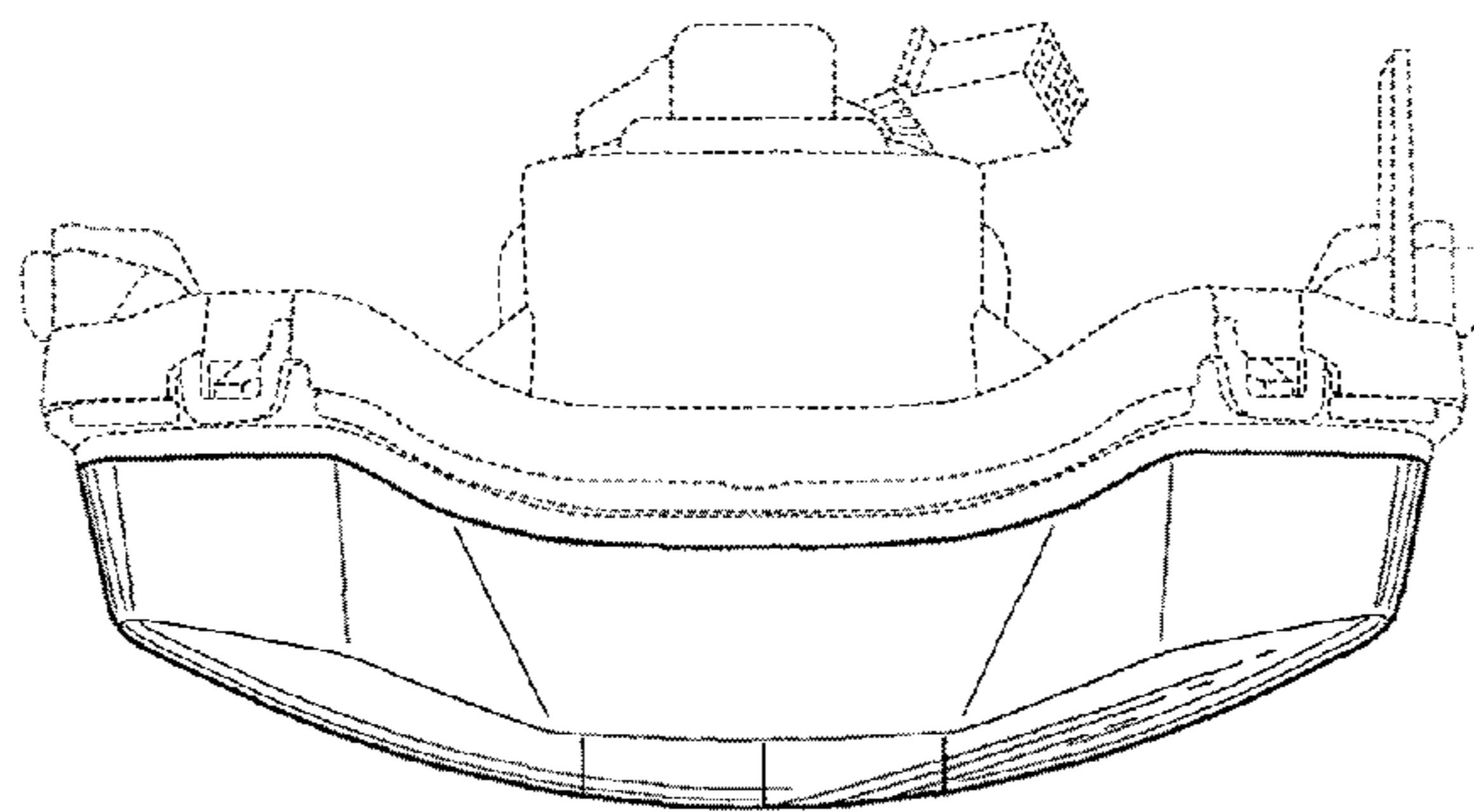


FIG.3

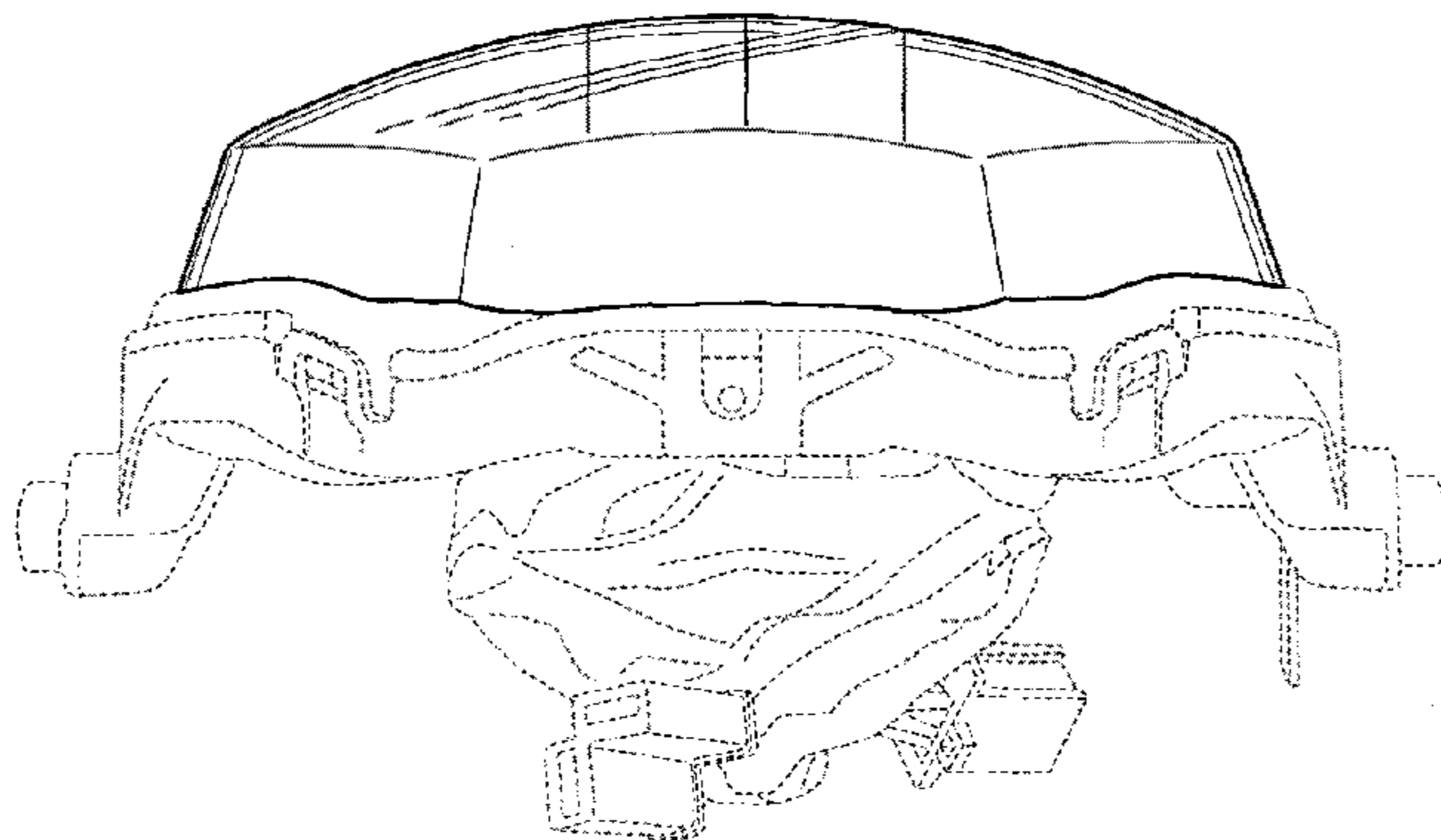


FIG.4

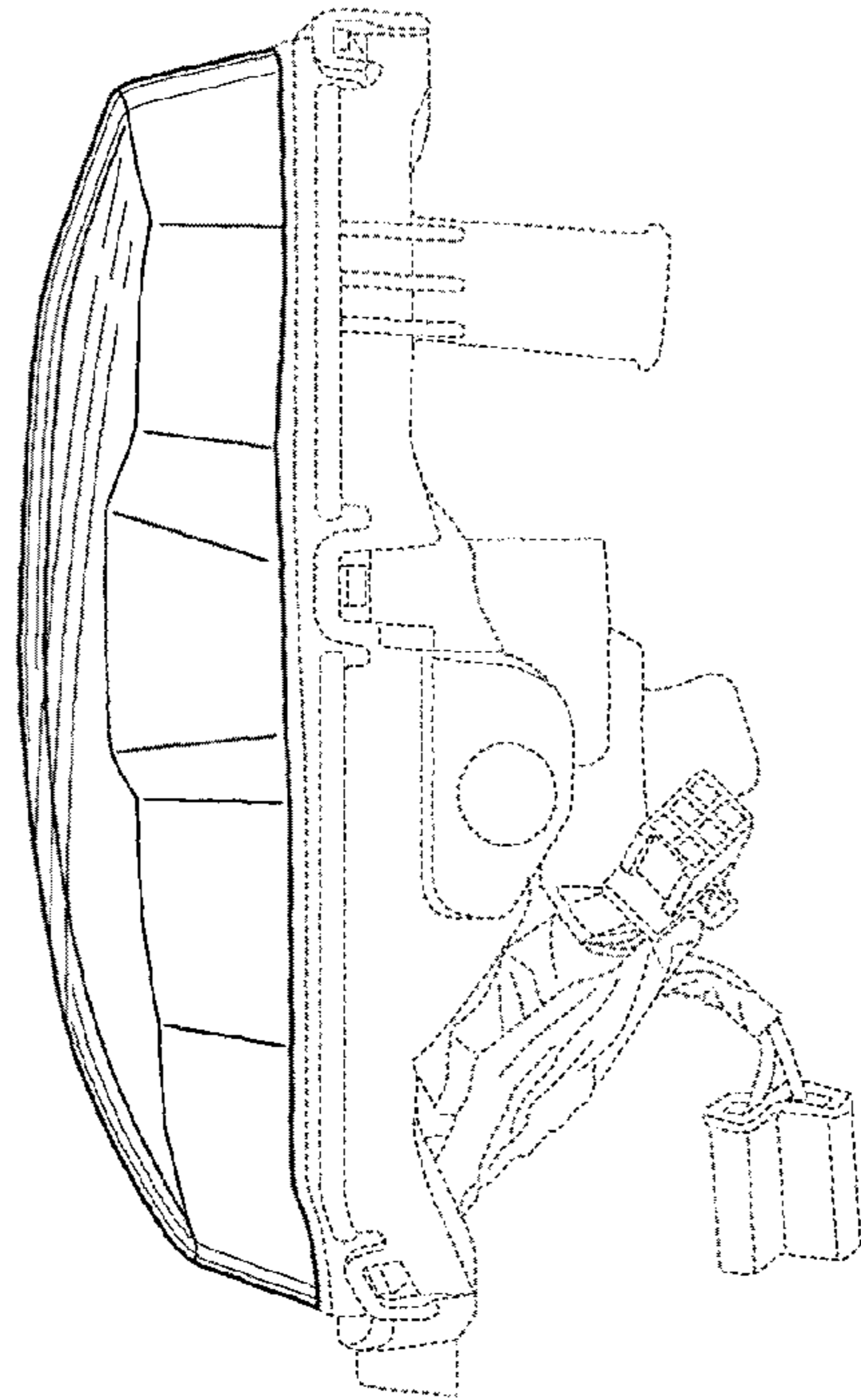


FIG.5

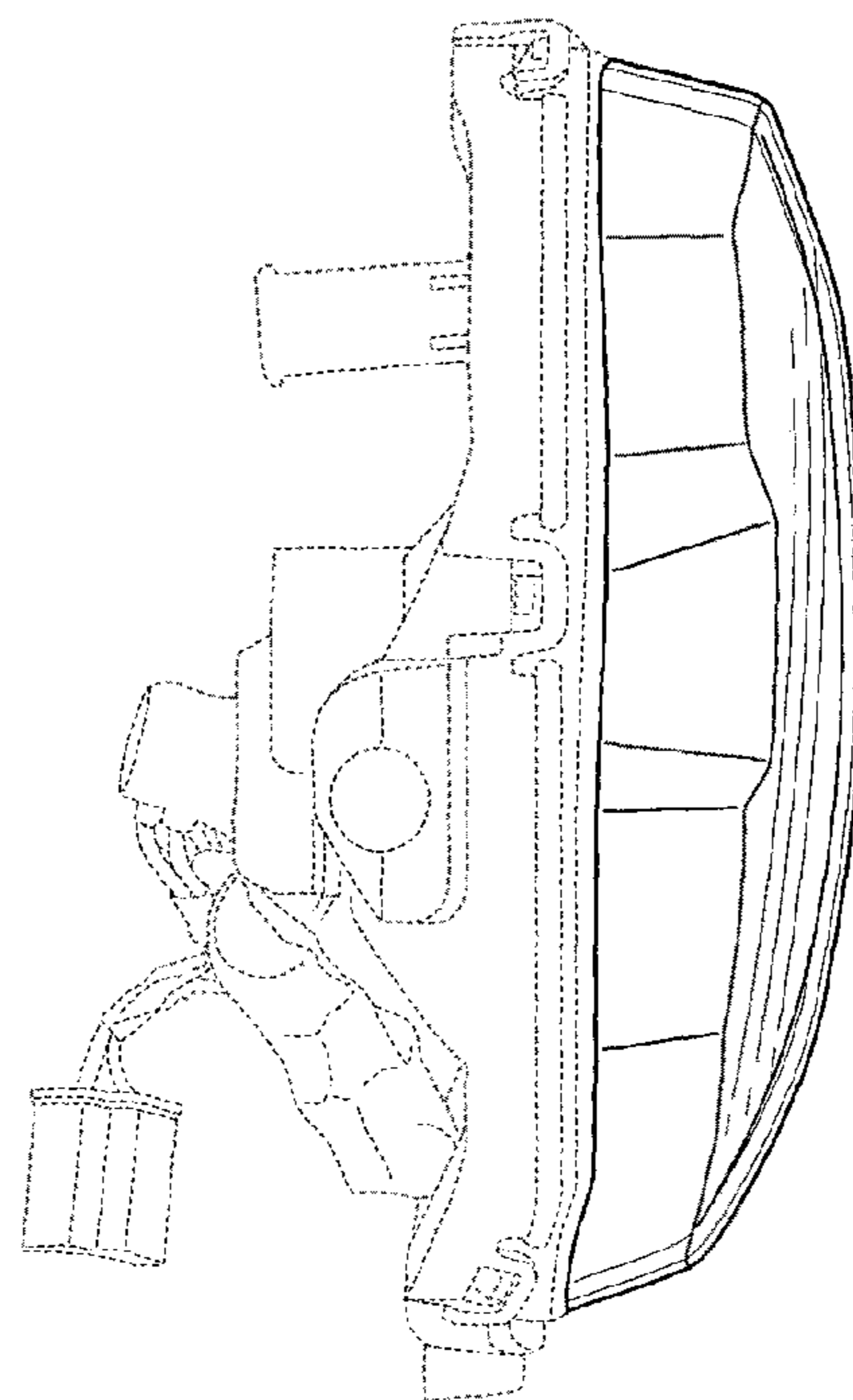


FIG.6

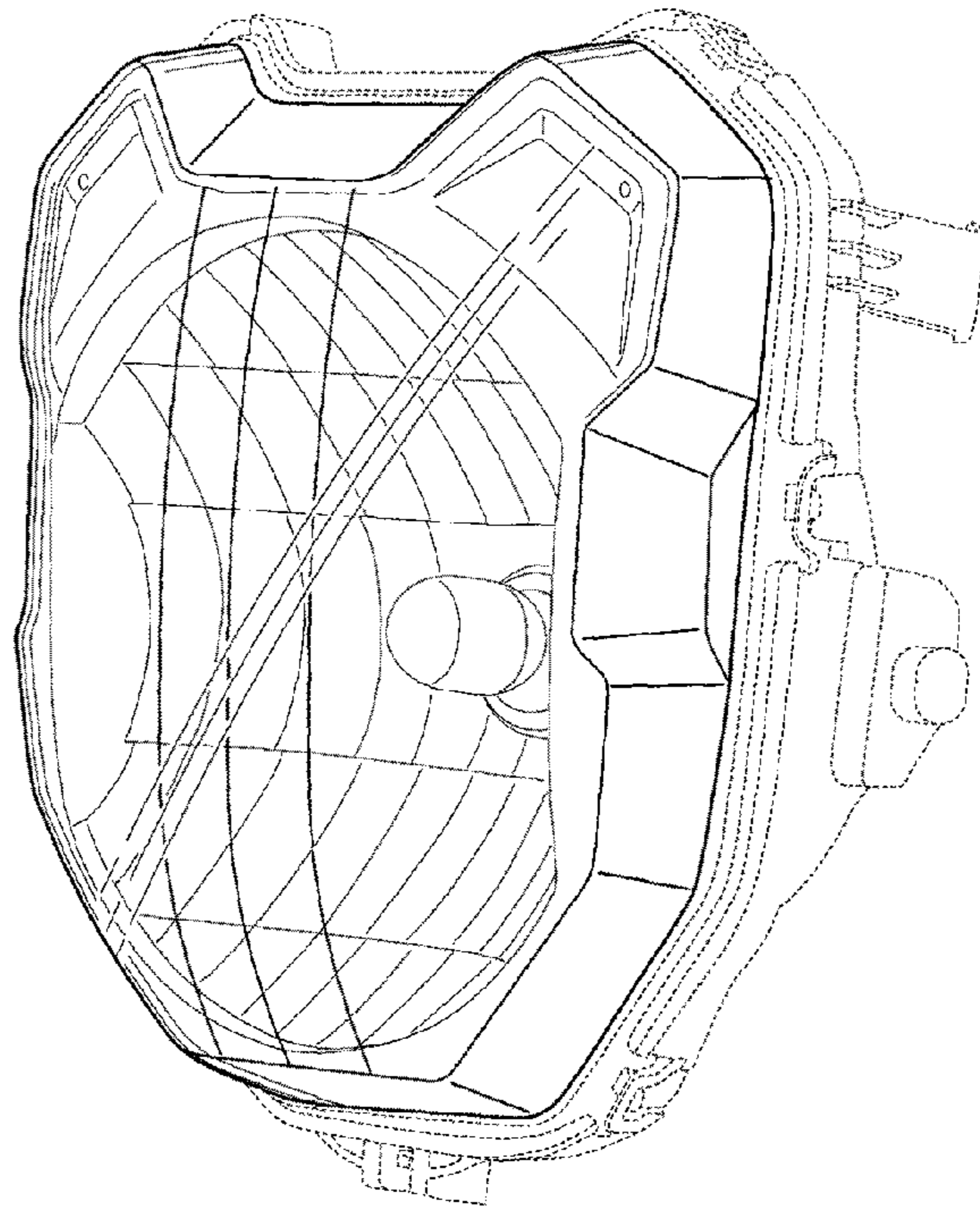


FIG.7

