



US00D713070S

(12) **United States Design Patent**
Teranishi et al.

(10) **Patent No.:** **US D713,070 S**

(45) **Date of Patent:** **** Sep. 9, 2014**

(54) **LAMP FOR A VEHICLE**

(75) Inventors: **Yasuo Teranishi**, Shizuoka (JP);
Tetsuaki Inaba, Shizuoka (JP); **Kuniaki Matsueda**, Shizuoka (JP)

(73) Assignee: **Koito Manufacturing Co., Ltd.**, Tokyo (JP)

(**) Term: **14 Years**

(21) Appl. No.: **29/420,658**

(22) Filed: **May 11, 2012**

(30) **Foreign Application Priority Data**

Nov. 14, 2011 (JP) 2011-026232

(51) **LOC (10) Cl.** **26-06**

(52) **U.S. Cl.**
USPC **D26/28**

(58) **Field of Classification Search**
USPC D26/28-36; 362/459-468, 475-478,
362/485-487
See application file for complete search history.

(56) **References Cited**

U.S. PATENT DOCUMENTS

D601,727 S * 10/2009 Huang D26/28
D605,789 S * 12/2009 Ko D26/28

D626,670 S * 11/2010 Metzger et al. D26/28
D657,081 S * 4/2012 Alisaukas et al. D26/28
D670,839 S * 11/2012 Smarslik D26/28
D694,920 S * 12/2013 Jurgens et al. D26/28

* cited by examiner

Primary Examiner — Marcus Jackson

(74) *Attorney, Agent, or Firm* — Sughrue Mion, PLLC

(57) **CLAIM**

The ornamental design for a lamp for a vehicle, as shown and described.

DESCRIPTION

FIG. 1 is a perspective view of front, top and left side of a lamp for a vehicle according to our new design;
FIG. 2 is a front view thereof;
FIG. 3 is a rear view thereof;
FIG. 4 is a left side view thereof;
FIG. 5 is a right side view thereof;
FIG. 6 is a top view thereof;
FIG. 7 is a bottom view thereof; and
FIG. 8 is a cross-sectional view taken along line 8-8 in FIG. 5 thereof; and,
FIG. 9 is a reference perspective view of usage.
The portions of the article in broken lines are shown for illustrative purposes only and form no part of the claimed design.

1 Claim, 9 Drawing Sheets

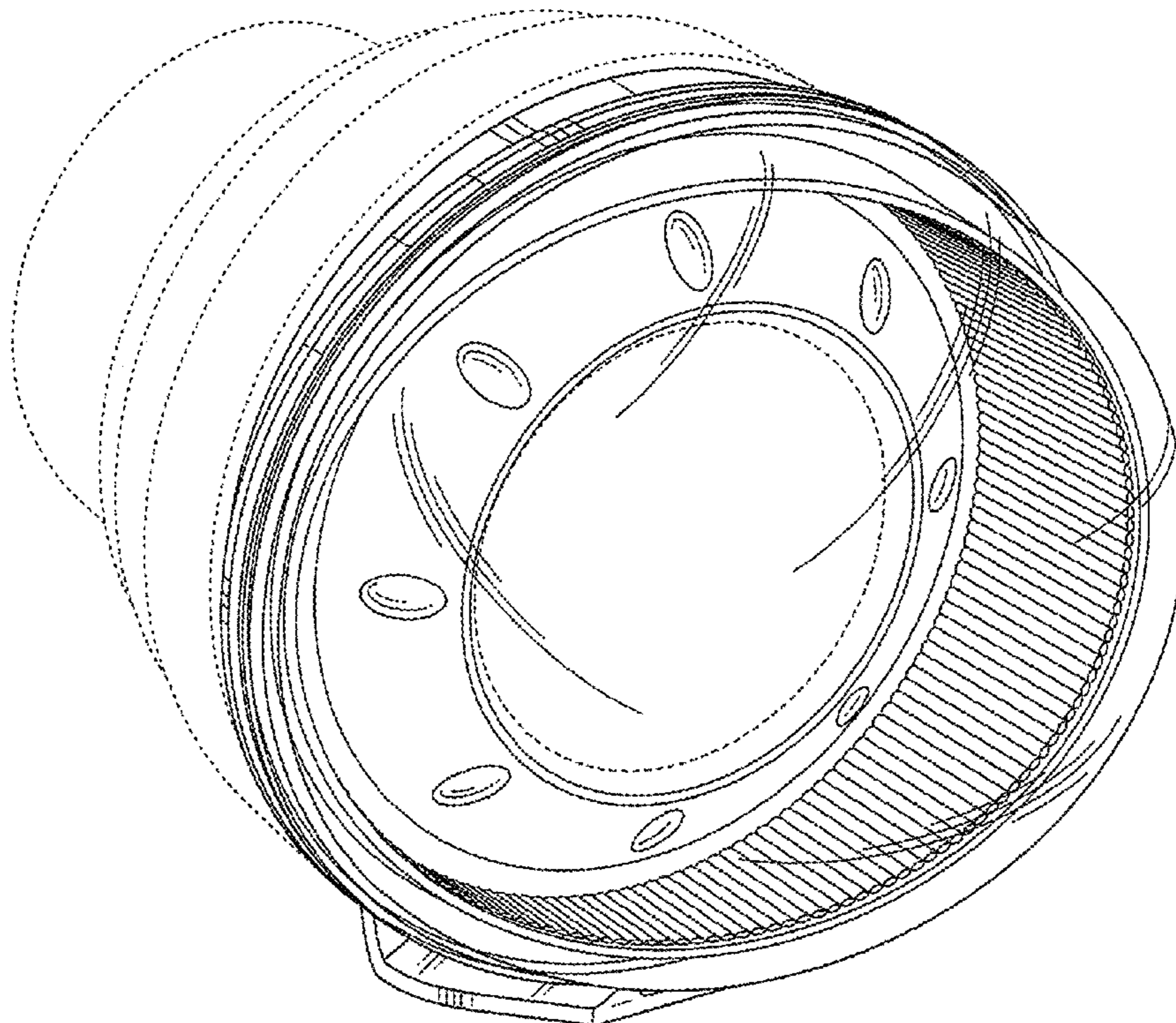


Fig. 1

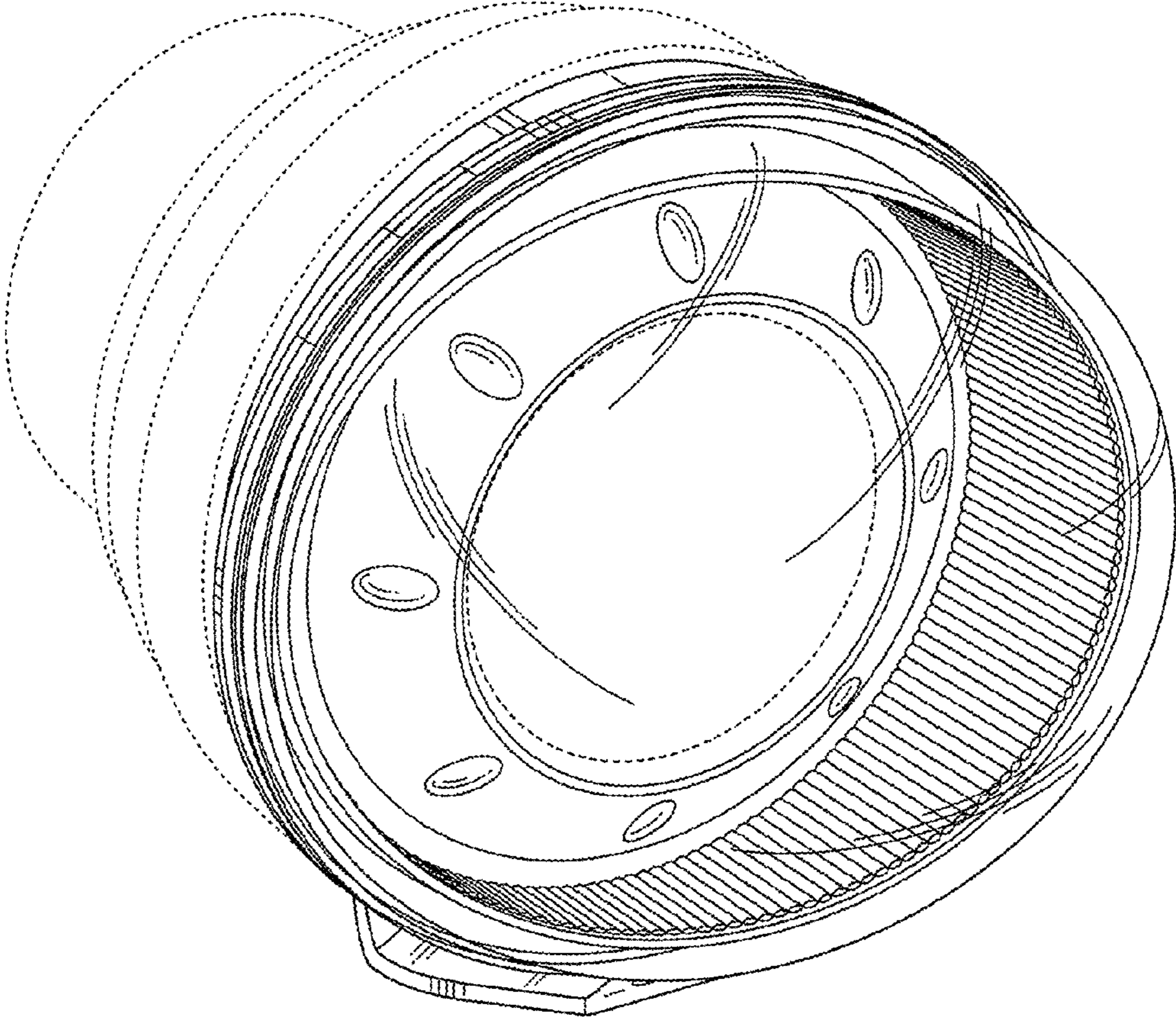


Fig. 2

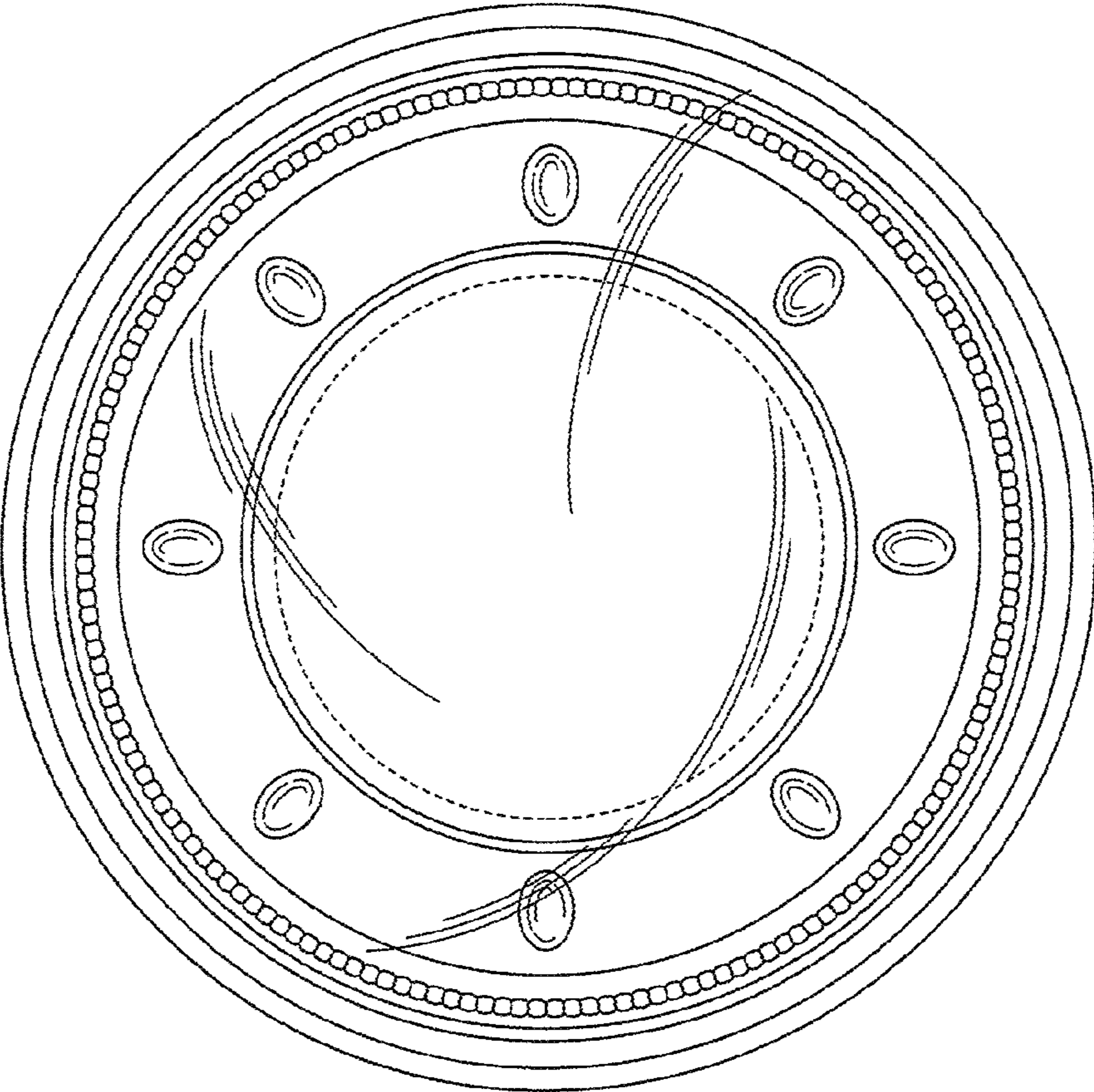


Fig. 3

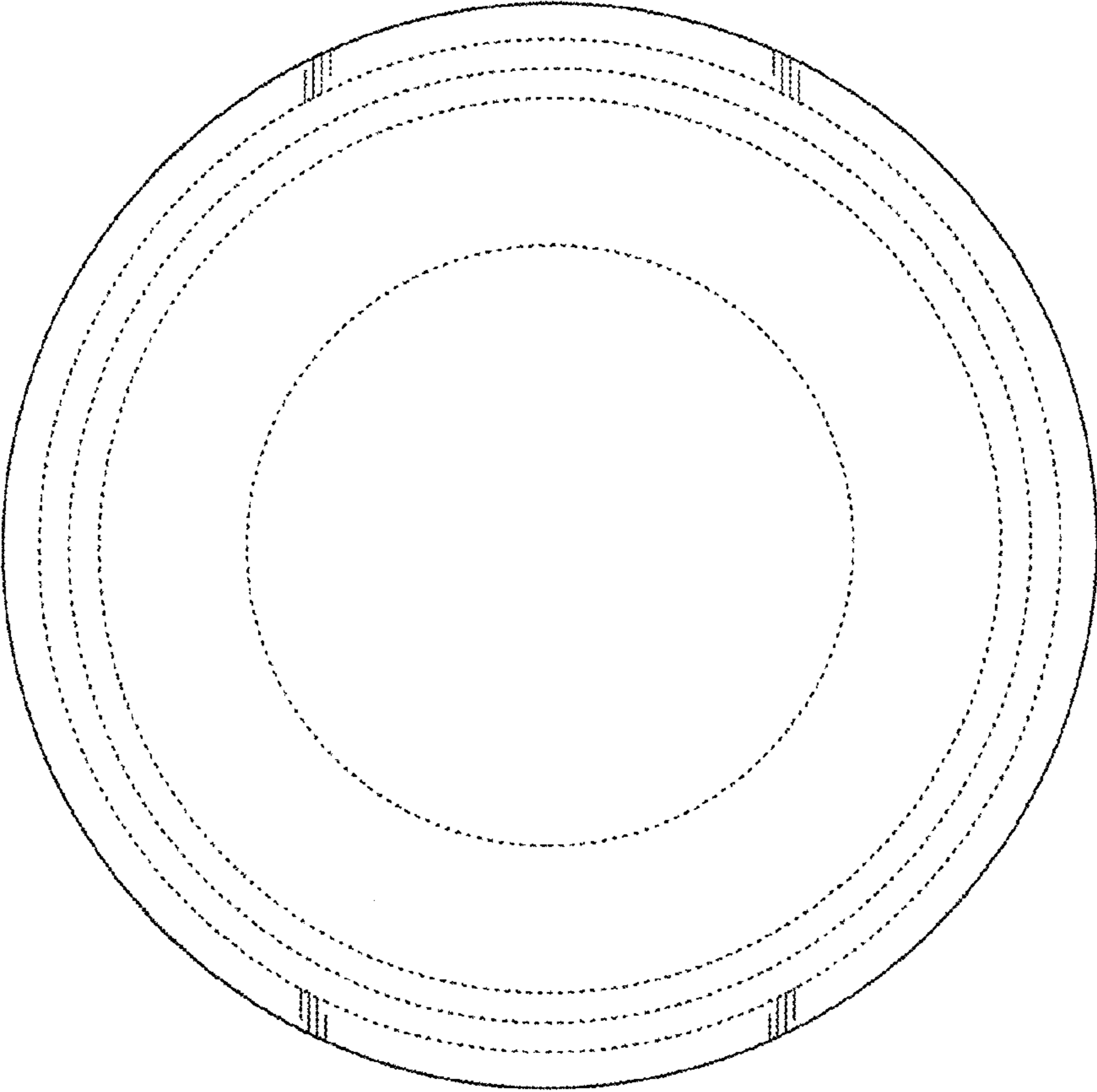


Fig. 4

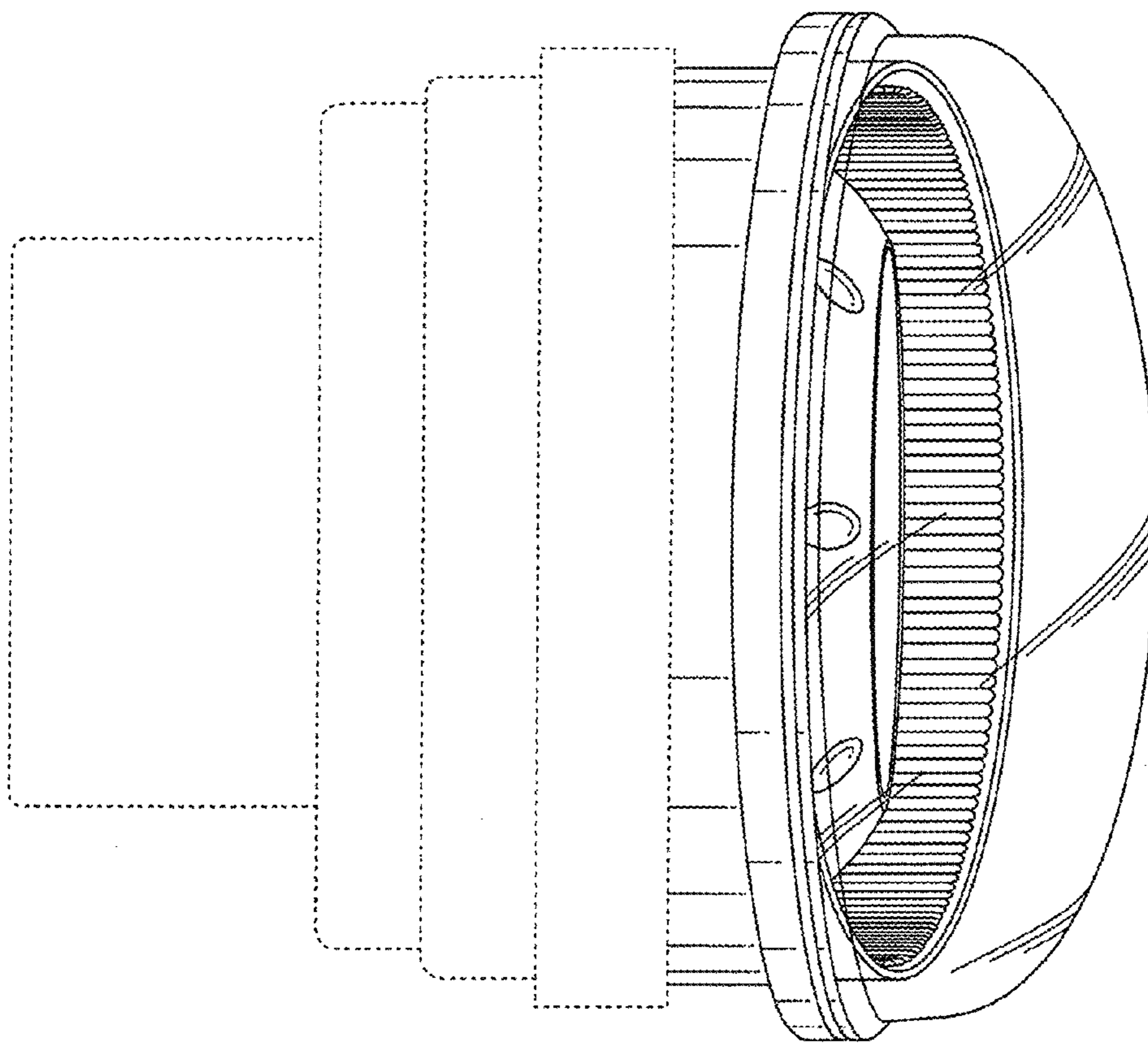


Fig. 5

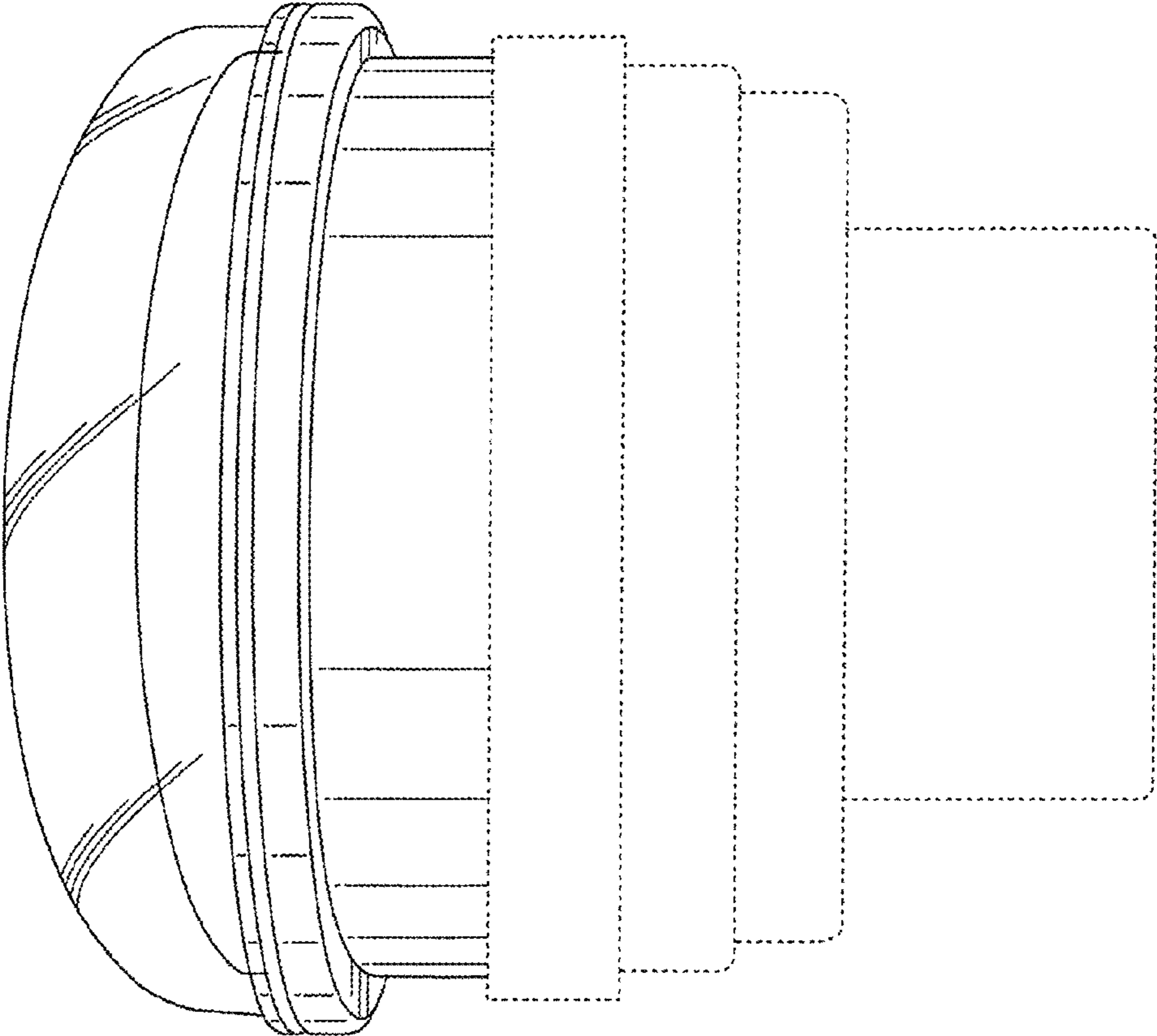


Fig. 6

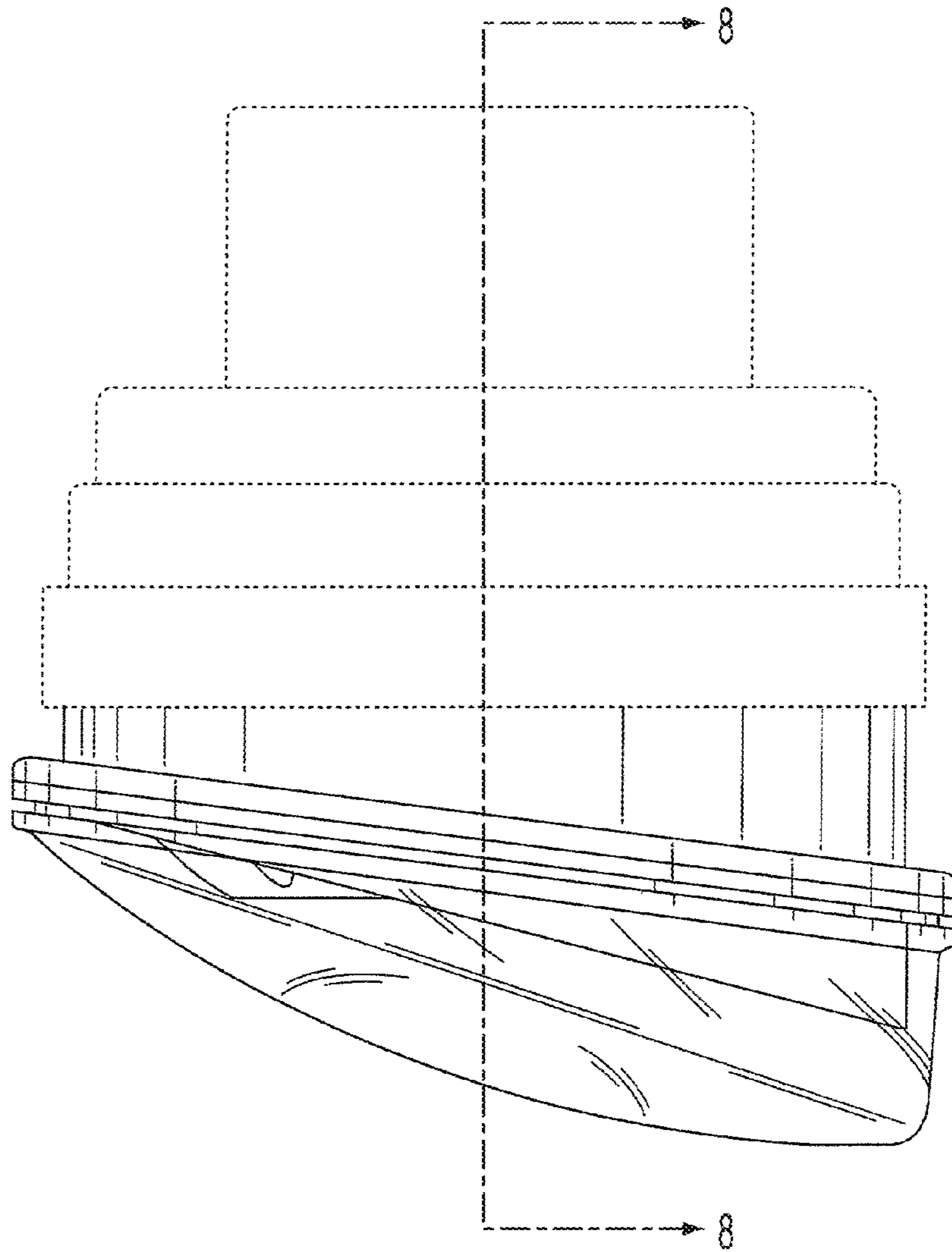


Fig. 7

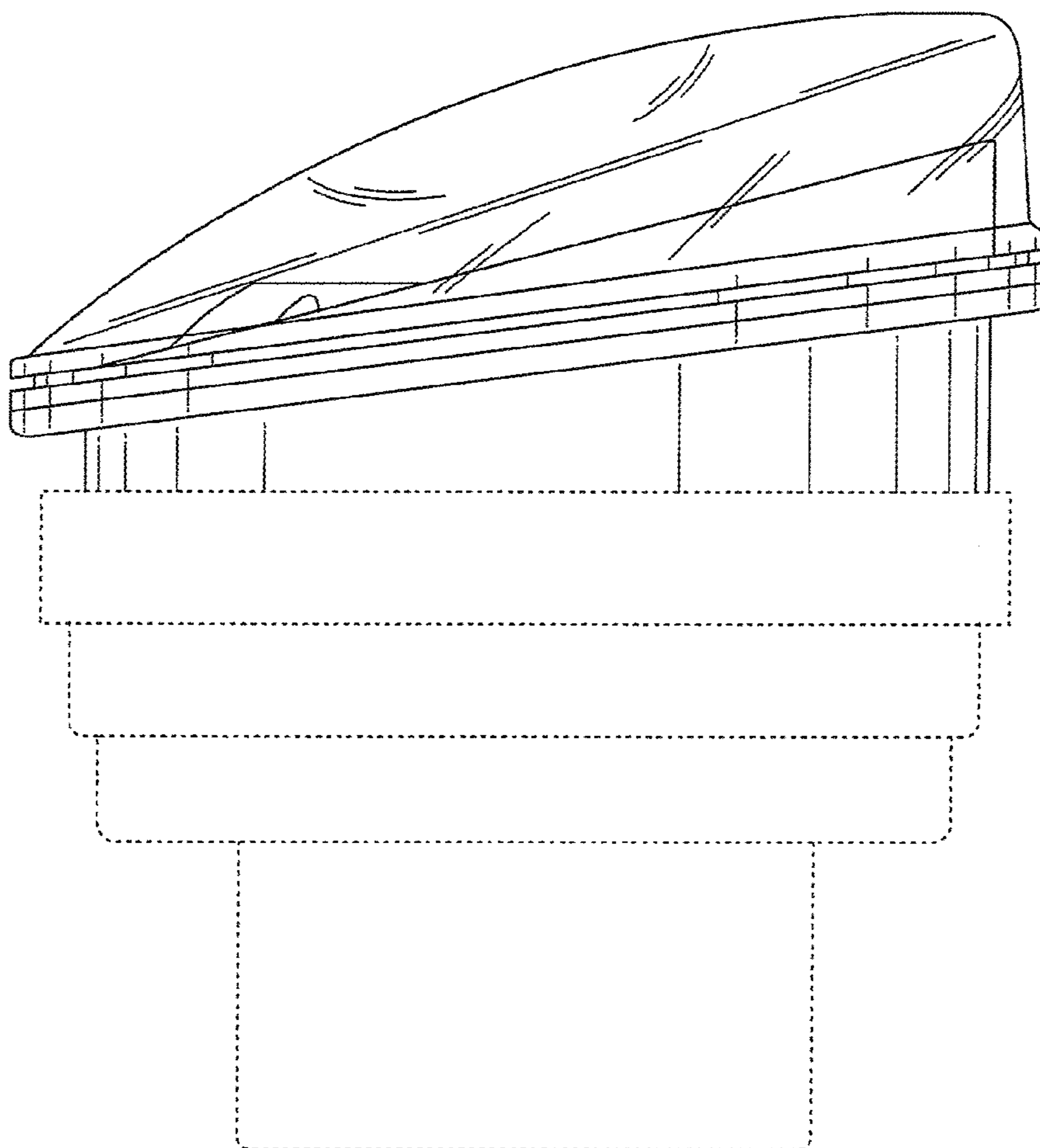


Fig. 8

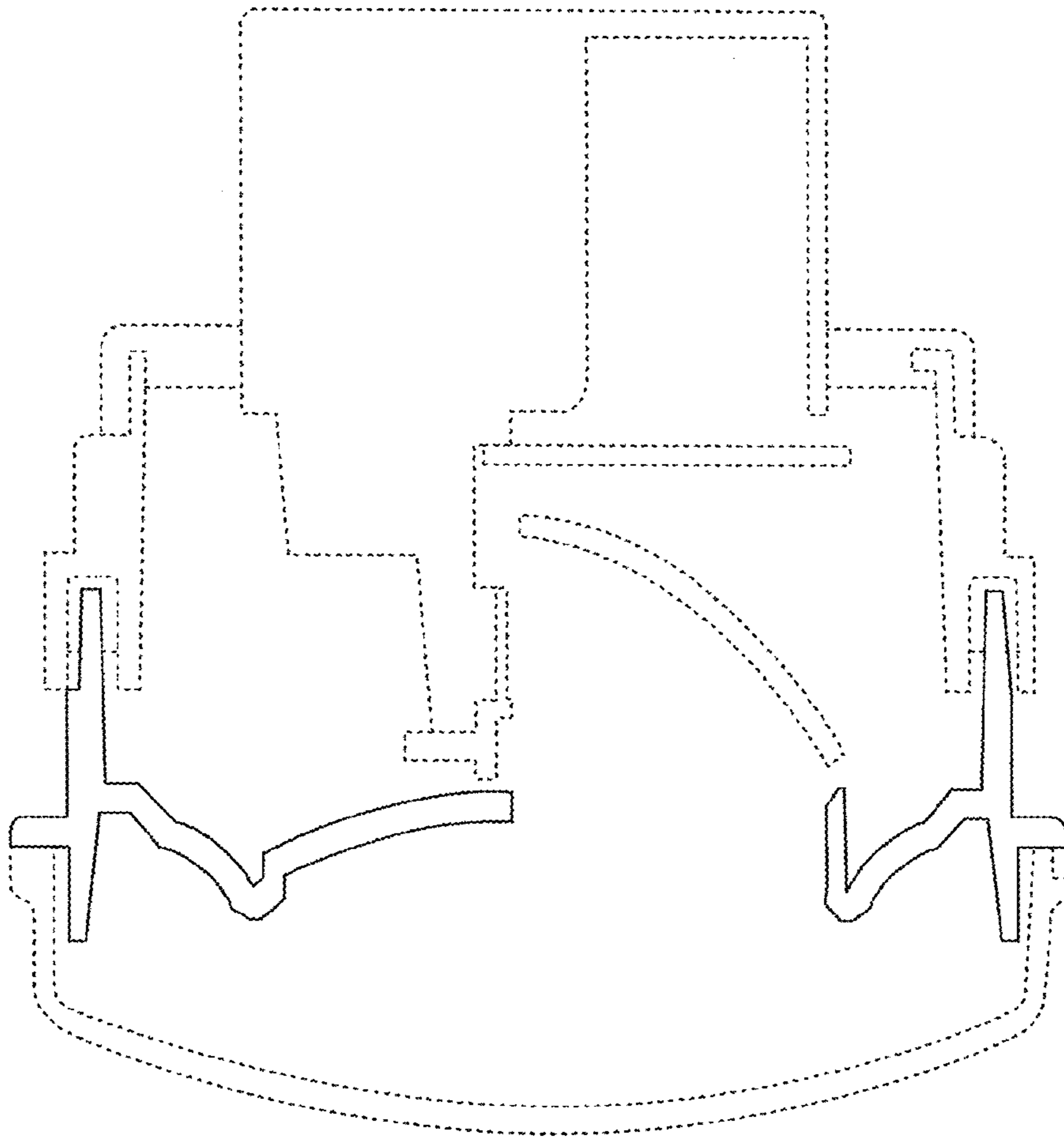


Fig. 9

