



US00D713069S

(12) **United States Design Patent**  
**Vaghani**

(10) **Patent No.:** **US D713,069 S**

(45) **Date of Patent:** **\*\* Sep. 9, 2014**

(54) **LED LINEAR HIGH BRIGHT TRACK LIGHT SYSTEM**

D546,985 S \* 7/2007 Hoshikawa et al. .... D26/25  
D552,566 S \* 10/2007 Moriyama ..... D13/180  
D571,938 S \* 6/2008 Uemoto et al. .... D26/24

(76) Inventor: **Sam Vaghani**, Chicago, IL (US)

\* cited by examiner

(\*\*) Term: **14 Years**

*Primary Examiner* — Brian N Vinson

(21) Appl. No.: **29/422,660**

(74) *Attorney, Agent, or Firm* — QuickPatents; Kevin Prince

(22) Filed: **May 23, 2012**

(51) **LOC (10) Cl.** ..... **26-03**

(52) **U.S. Cl.**  
USPC ..... **D26/24**

(58) **Field of Classification Search**  
CPC ..... F21L 4/00; F21L 7/00; F21L 15/16;  
F21S 8/09; F21V 7/09; F21V 21/30  
USPC ..... D26/1, 24, 51, 72, 104, 80; 362/84,  
362/97.2, 157, 186, 257, 310, 362, 551,  
362/580, 184; D13/180  
See application file for complete search history.

(57) **CLAIM**

I claim the ornamental design for an LED linear high bright track light system, as shown and described.

**DESCRIPTION**

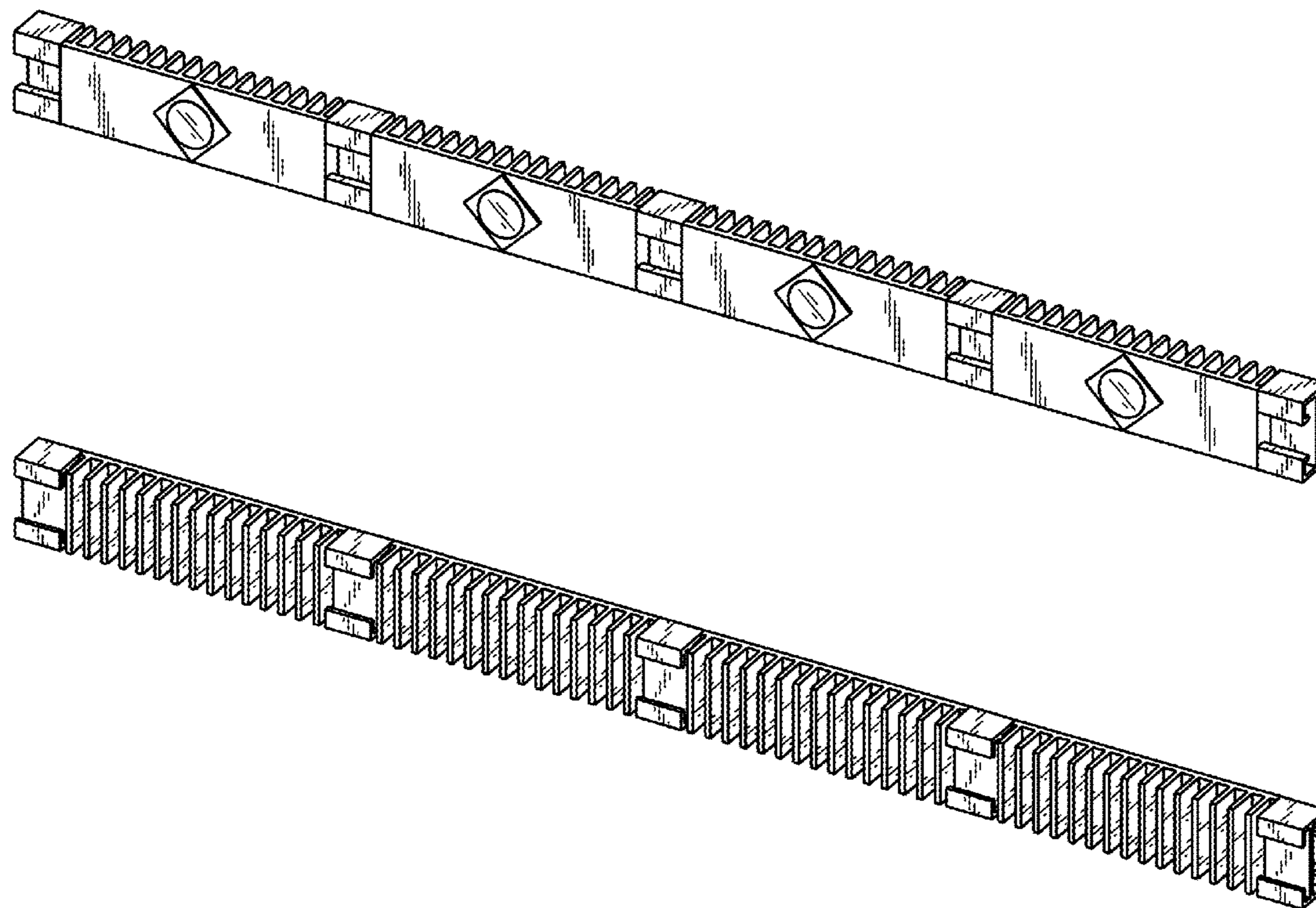
FIG. 1 is a front perspective view of an LED linear high bright track light system, showing my new design;  
FIG. 2 is a rear perspective view thereof;  
FIG. 3 is a front elevational view thereof;  
FIG. 4 is a bottom plan view thereof, the top plan view being a mirror image thereof;  
FIG. 5 is a rear elevational view thereof; and,  
FIG. 6 is a left-side elevational view thereof, the right-side elevational view being a mirror image thereof.

(56) **References Cited**

**U.S. PATENT DOCUMENTS**

D374,737 S \* 10/1996 Can ..... D26/80  
D531,139 S \* 10/2006 Egawa et al. .... D13/180

**1 Claim, 2 Drawing Sheets**



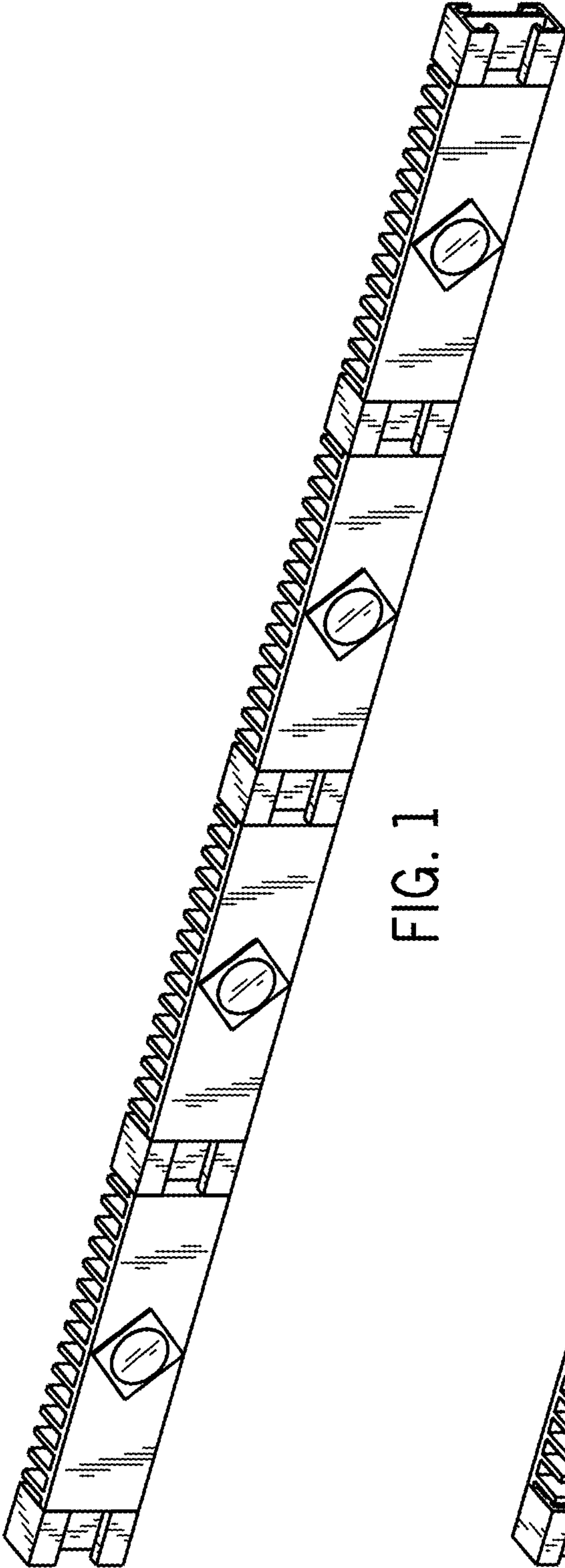


FIG. 1

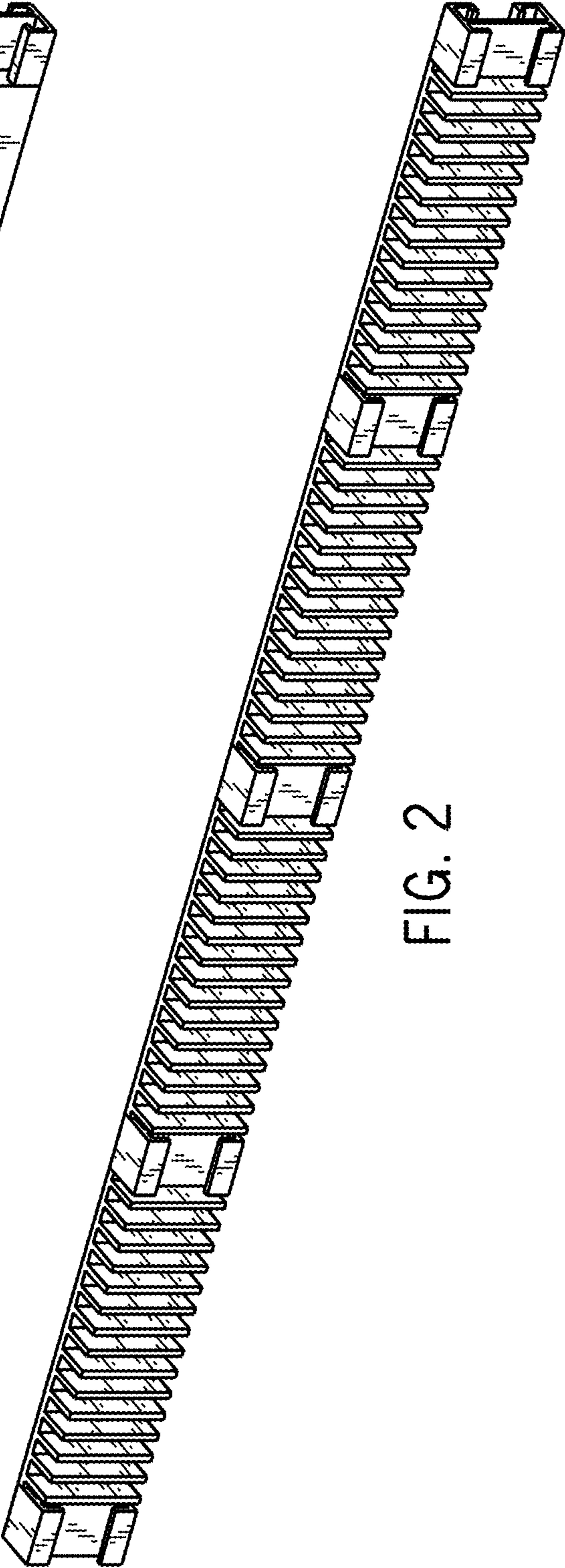


FIG. 2

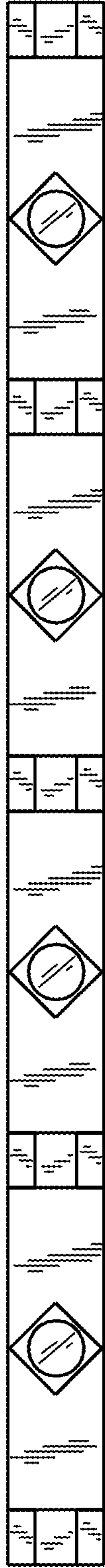


FIG. 3



FIG. 4

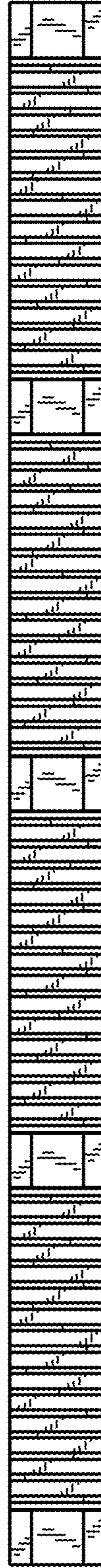


FIG. 5

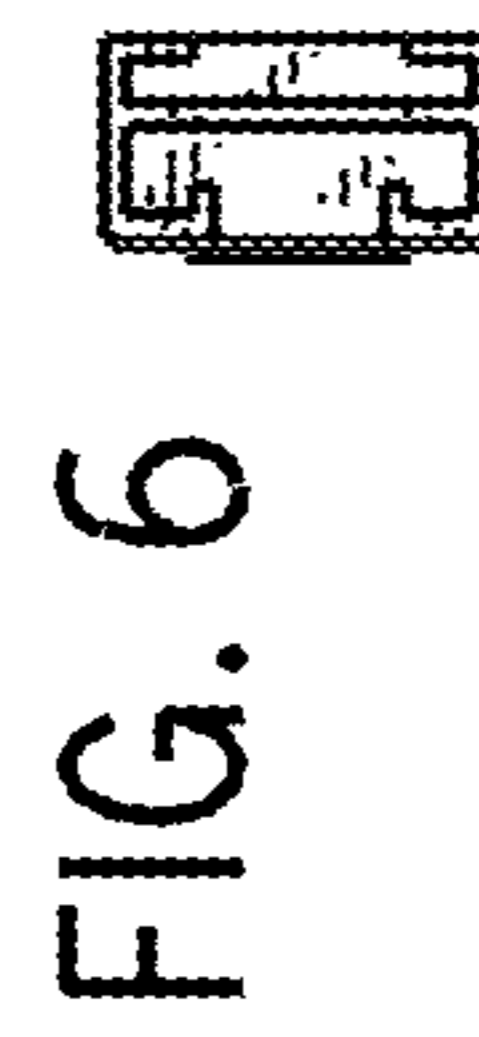


FIG. 6