



US00D713068S

(12) **United States Design Patent**
Park et al.

(10) **Patent No.:** **US D713,068 S**
(45) **Date of Patent:** **** Sep. 9, 2014**

(54) **LED LAMP**

(71) Applicant: **Posco LED Company Ltd.**,
Seongnam-si (KR)

(72) Inventors: **Hyun Ku Park**, Seongnam-si (KR);
Dong Hee Kim, Seongnam-si (KR)

(73) Assignee: **Posco LED Company Ltd.**,
Seongnam-si (KR)

(**) Term: **14 Years**

(21) Appl. No.: **29/455,197**

(22) Filed: **May 17, 2013**

(30) **Foreign Application Priority Data**

Dec. 21, 2012 (KR) 30-2012-0061685

(51) **LOC (10) Cl.** **26-04**

(52) **U.S. Cl.**
USPC **D26/2**

(58) **Field of Classification Search**
USPC D26/1-4; 313/313, 315, 316, 317, 318,
313/493; 315/52, 53, 56, 57, 58
See application file for complete search history.

(56) **References Cited**

U.S. PATENT DOCUMENTS

D543,288 S *	5/2007	Bembridge	D26/2
D544,109 S *	6/2007	Tsuruha et al.	D26/2
D558,904 S *	1/2008	Tsuruha et al.	D26/2
D579,130 S *	10/2008	Hernandez et al.	D26/2
D600,368 S *	9/2009	Bertram et al.	D26/2
D675,755 S *	2/2013	Yamamoto et al.	D26/2

* cited by examiner

Primary Examiner — Marcus Jackson

(74) *Attorney, Agent, or Firm* — H.C. Park & Associates,
PLC

(57) **CLAIM**

The ornamental design for a LED lamp, as shown and described.

DESCRIPTION

FIG. 1 is a Top Perspective View of the LED lamp of the claimed design.

FIG. 2 is a Front View of the LED lamp.

FIG. 3 is a Rear View of the LED lamp.

FIG. 4 is a Left Side View of the LED lamp.

FIG. 5 is a Right Side View of the LED lamp.

FIG. 6 is a Top Plan View of the LED lamp; and,

FIG. 7 is a Bottom Plan View of the LED lamp.

1 Claim, 6 Drawing Sheets

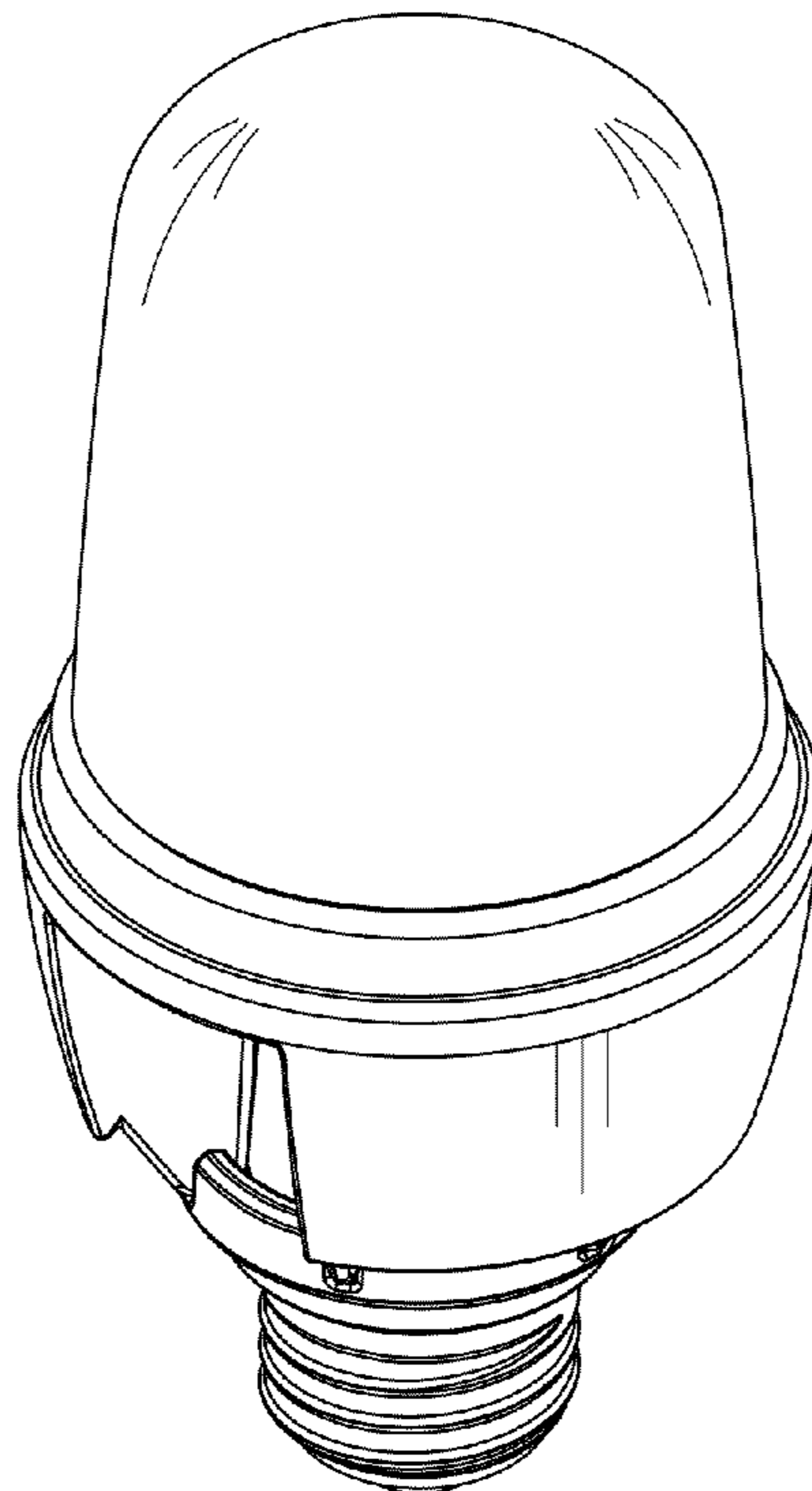


Fig. 1

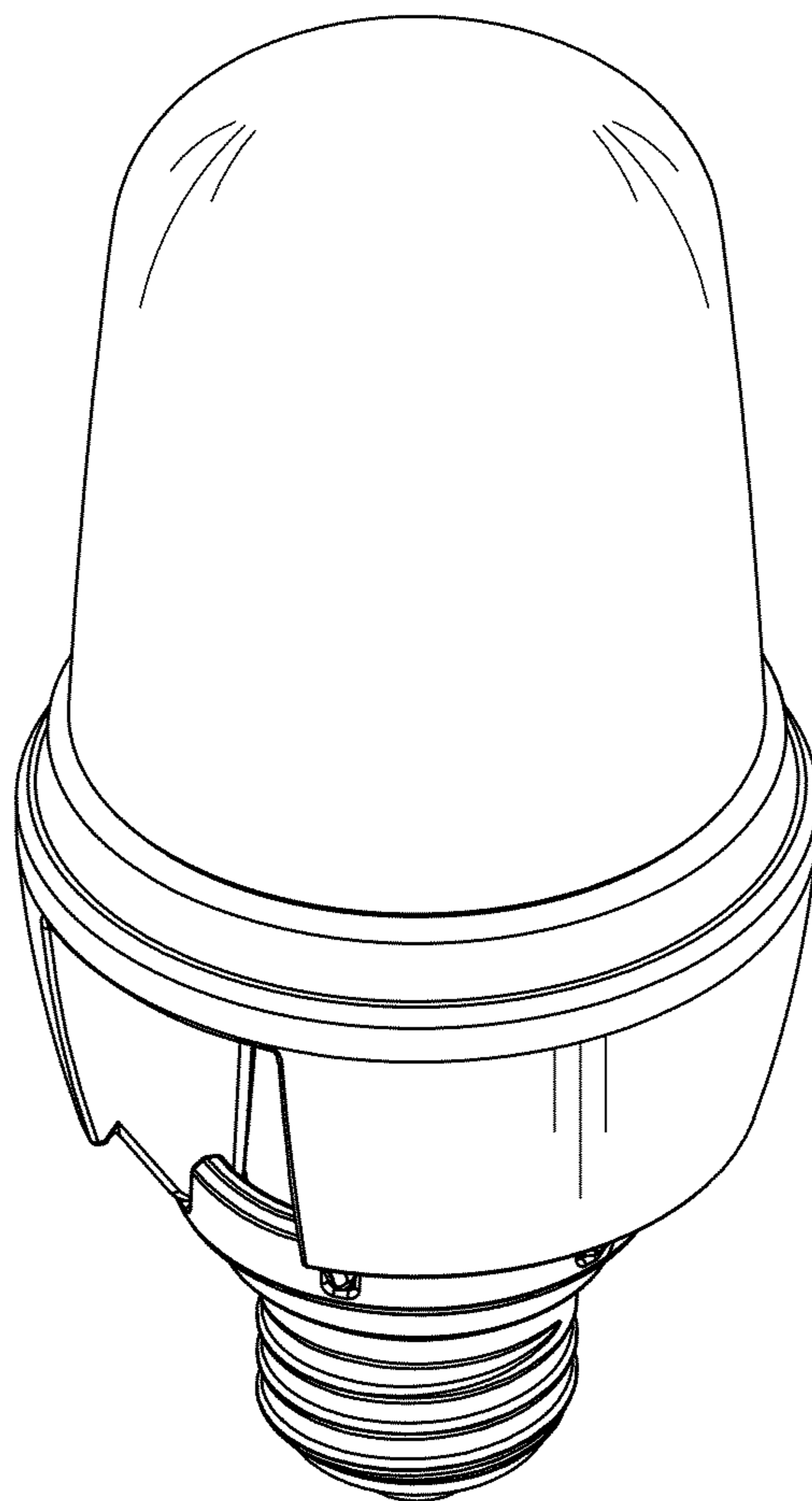


Fig. 2

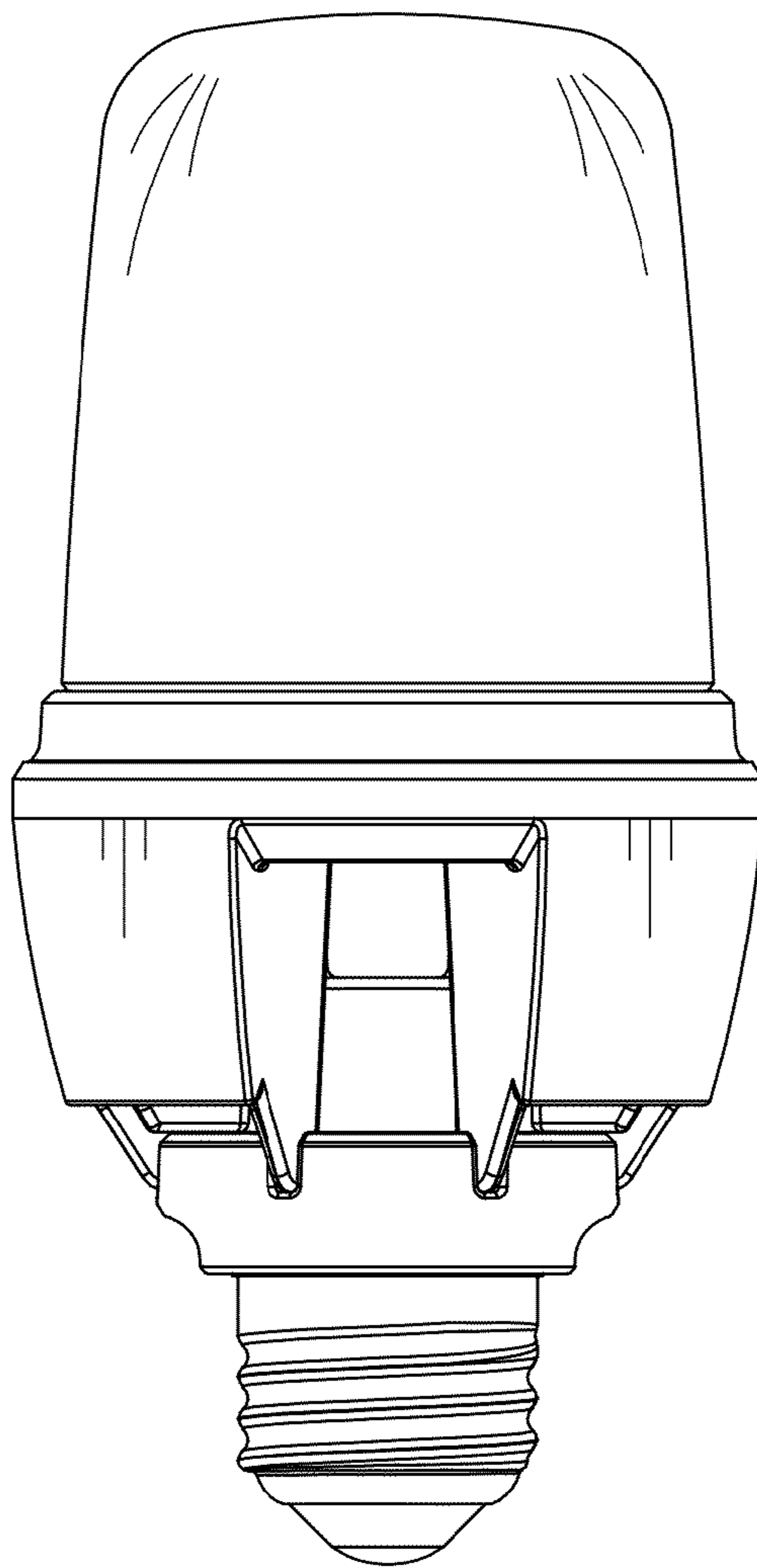


Fig. 3

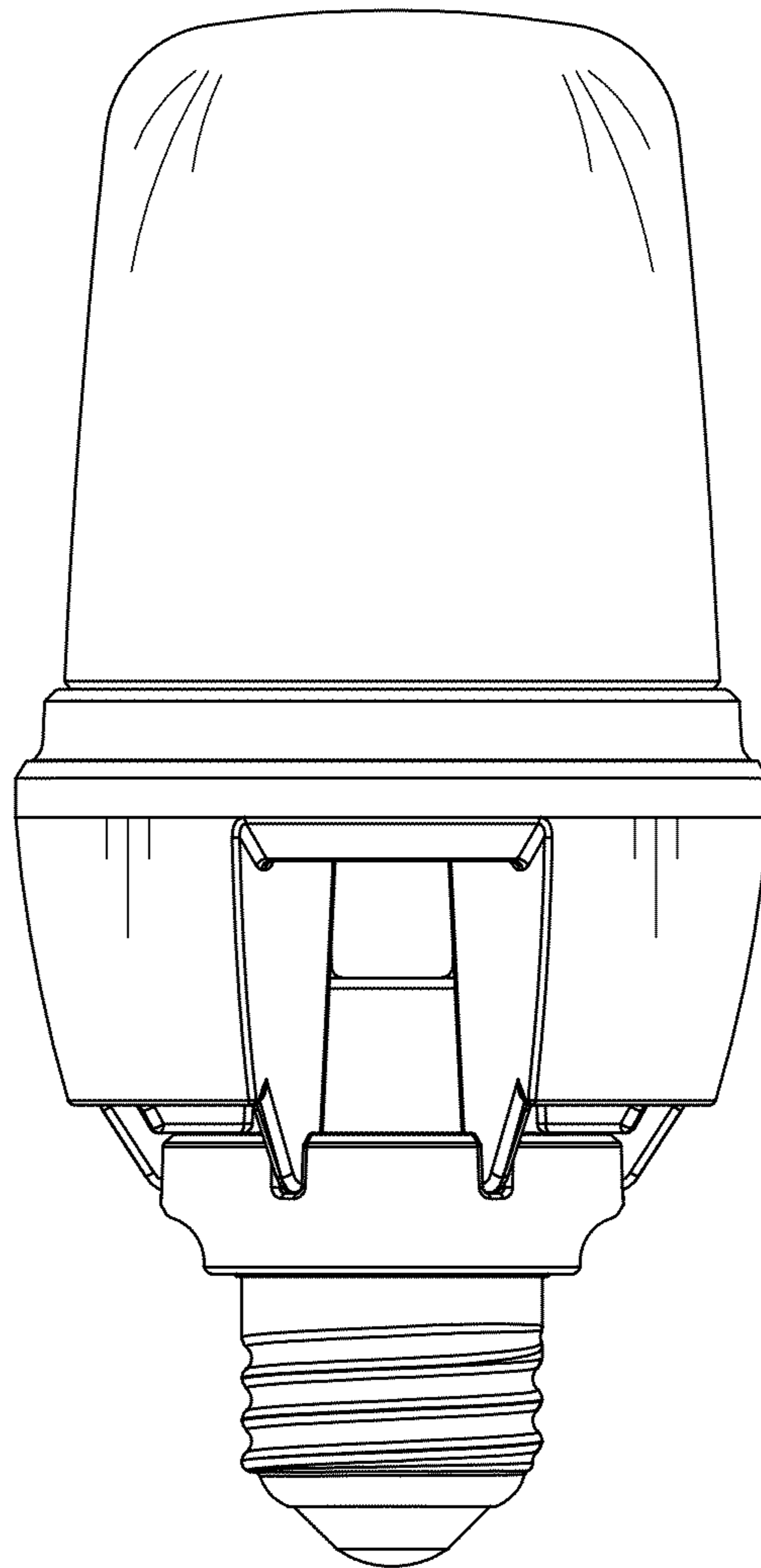


Fig. 4

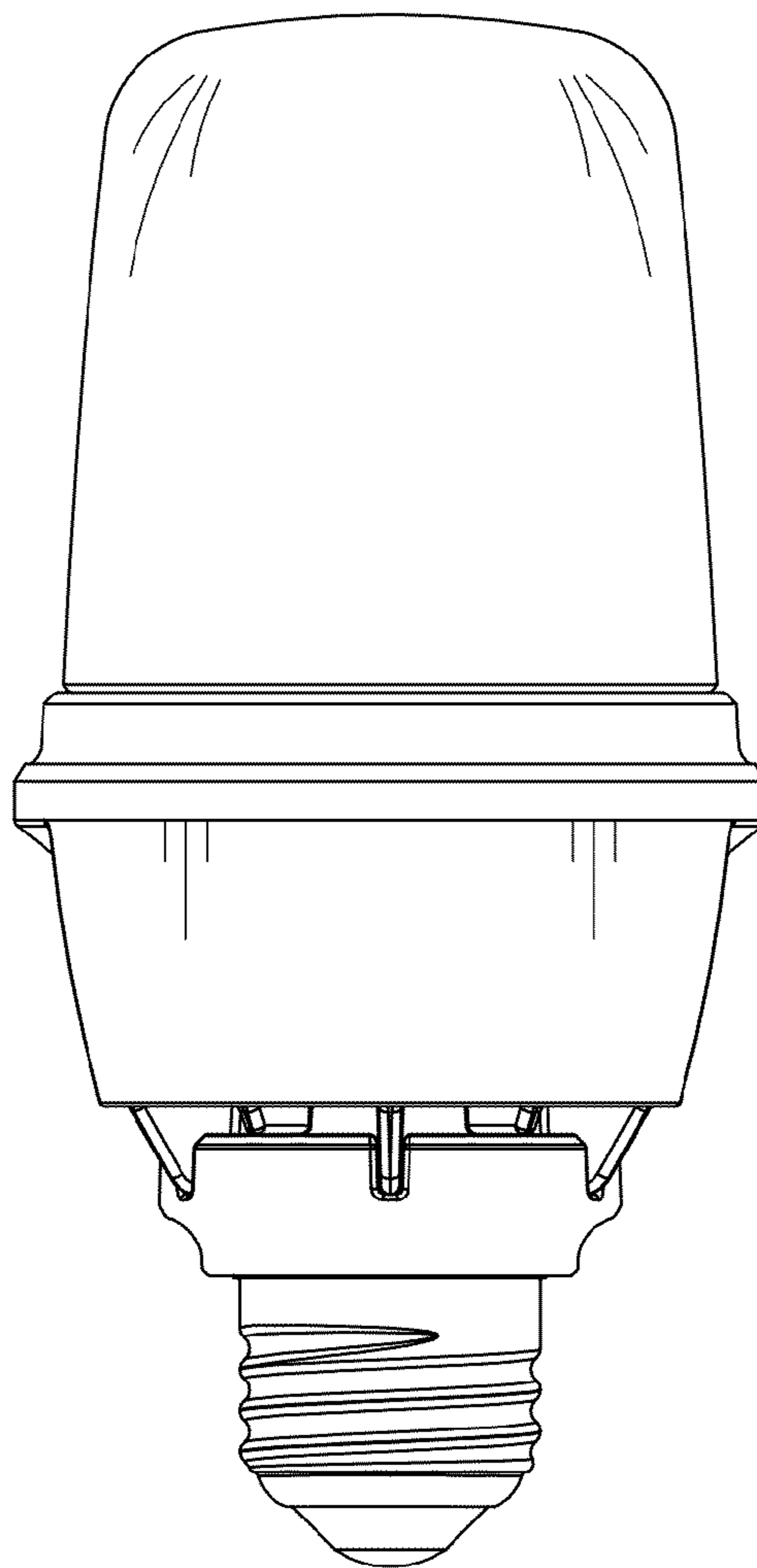


Fig. 5

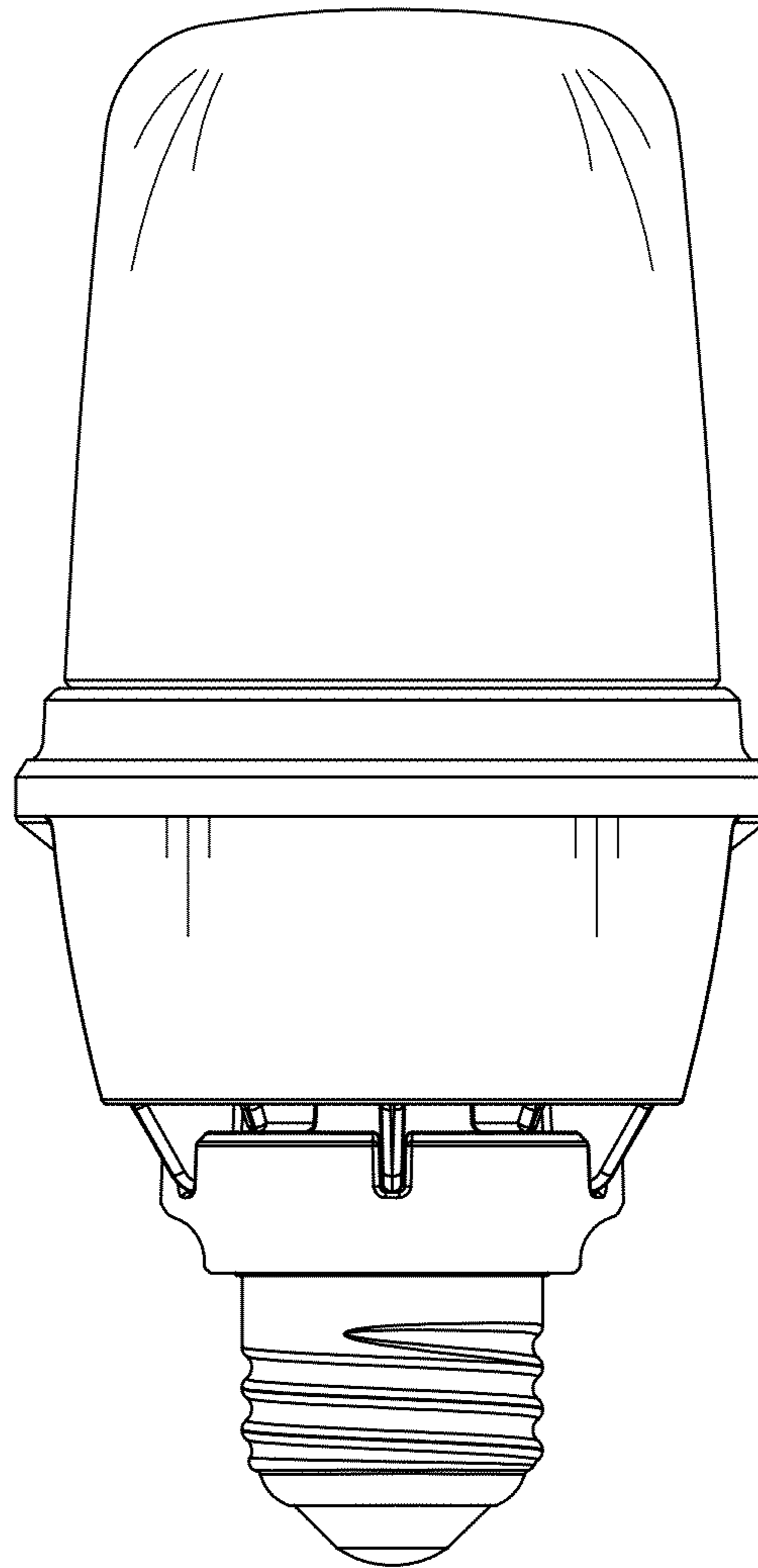


Fig. 6

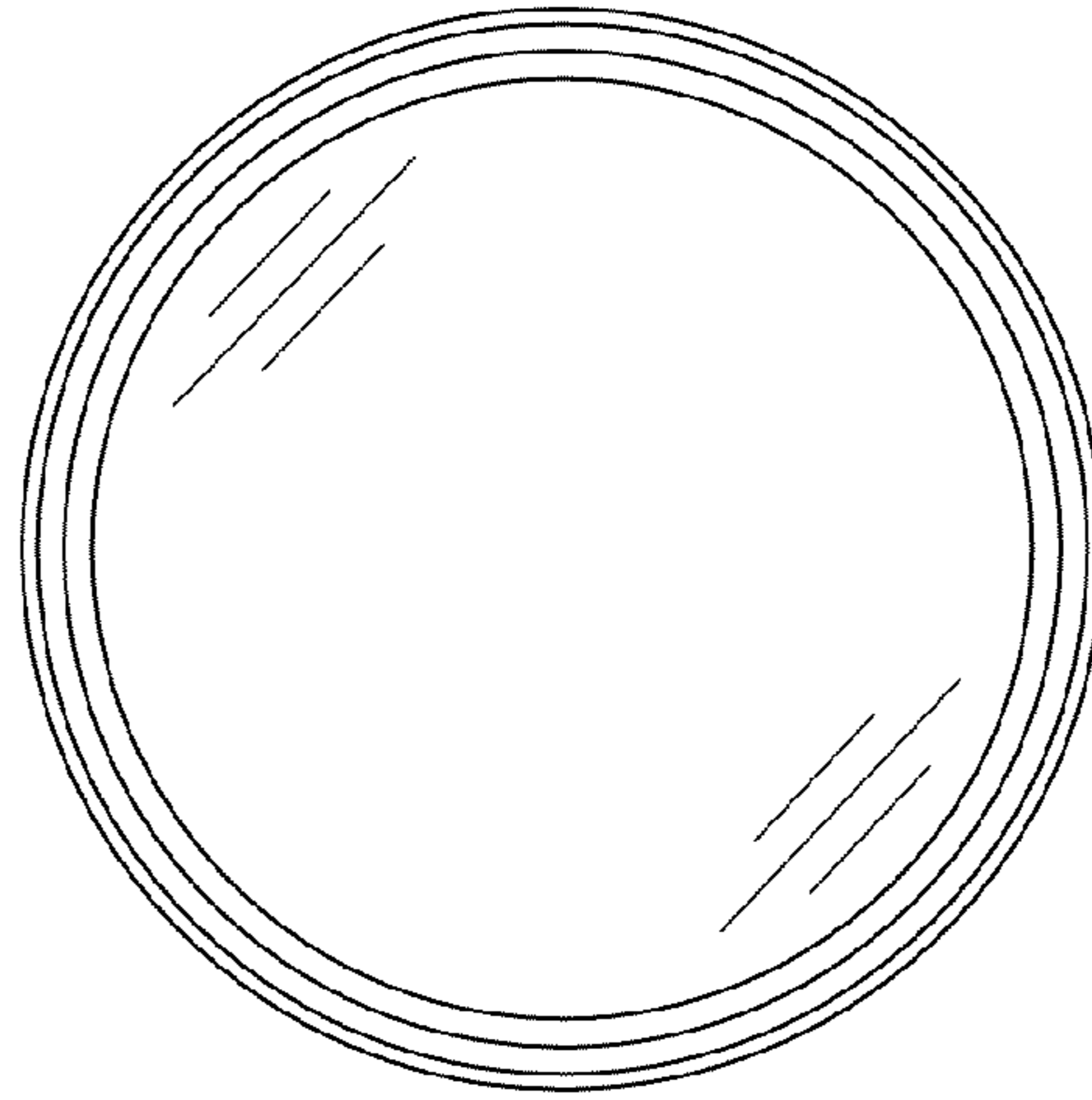


Fig. 7

