



US00D713060S

(12) **United States Design Patent**
Irving et al.

(10) **Patent No.:** **US D713,060 S**

(45) **Date of Patent:** **** Sep. 9, 2014**

(54) **SOFT CAPS FOR DASHER BOARD**

(71) Applicant: **Sport Systems Unlimited Corp.**,
Waterloo (CA)

(72) Inventors: **Bruce W. Irving**, Waters Falls (CA);
Matthew R. Palumbo, Maple Grove,
MN (US)

(73) Assignee: **Sport Systems Unlimited Corp.**,
Waterloo, Ontario (CA)

| | | | |
|---------------|---------|-------------------|--------|
| 4,659,247 A | 4/1987 | Steiner | |
| 4,883,267 A | 11/1989 | Burley | |
| 4,903,686 A | 2/1990 | Jennings | |
| 4,905,970 A | 3/1990 | Holmsten et al. | |
| 4,927,134 A | 5/1990 | Burley | |
| 5,254,040 A * | 10/1993 | Eller et al. | 472/94 |
| 5,706,625 A | 1/1998 | Vallance et al. | |
| 5,709,099 A | 1/1998 | Blades et al. | |
| 5,863,030 A | 1/1999 | Kotler et al. | |
| 5,953,882 A | 9/1999 | Vallance et al. | |
| 6,004,217 A | 12/1999 | Johnston et al. | |

(Continued)

(**) Term: **14 Years**

FOREIGN PATENT DOCUMENTS

(21) Appl. No.: **29/445,762**

| | | |
|----|---------|--------|
| CA | 2247647 | 3/2000 |
| CA | 2170943 | 1/2002 |

(22) Filed: **Feb. 15, 2013**

(Continued)

Related U.S. Application Data

(60) Continuation-in-part of application No. 29/413,446,
filed on Feb. 15, 2012, now Pat. No. Des. 676,577,
which is a division of application No. 11/422,754, filed
on Jun. 7, 2006.

(51) **LOC (10) Cl.** **25-01**

(52) **U.S. Cl.**
USPC **D25/124; D25/136**

(58) **Field of Classification Search**
USPC **D25/124, 136; 472/92, 93, 94**
See application file for complete search history.

(56) **References Cited**

U.S. PATENT DOCUMENTS

| | | |
|-------------|---------|-----------------|
| 2,230,688 A | 3/1939 | Irwin |
| 3,636,725 A | 1/1972 | MacCracken |
| 3,883,120 A | 5/1975 | Tippmann |
| 3,986,342 A | 10/1976 | MacCracken |
| 4,066,285 A | 1/1978 | Hall et al. |
| 4,157,885 A | 6/1979 | Tippmann |
| 4,271,622 A | 6/1981 | Tippmann et al. |
| 4,372,617 A | 2/1983 | Zamboni |

Primary Examiner — Doris Clark

(74) *Attorney, Agent, or Firm* — Gerald E. Helget; Briggs
and Morgan, P.A.

(57) **CLAIM**

The ornamental design for a soft cap for dasher board, as
shown and described.

DESCRIPTION

FIG. 1 is a top perspective view showing our new design for
a soft cap for dasher board, the dasher board shown in phan-
tom;

FIG. 2 is a left side elevational view which is a mirror image
of the right side elevational view;

FIG. 3 is a bottom perspective view;

FIG. 4 is a top plan view;

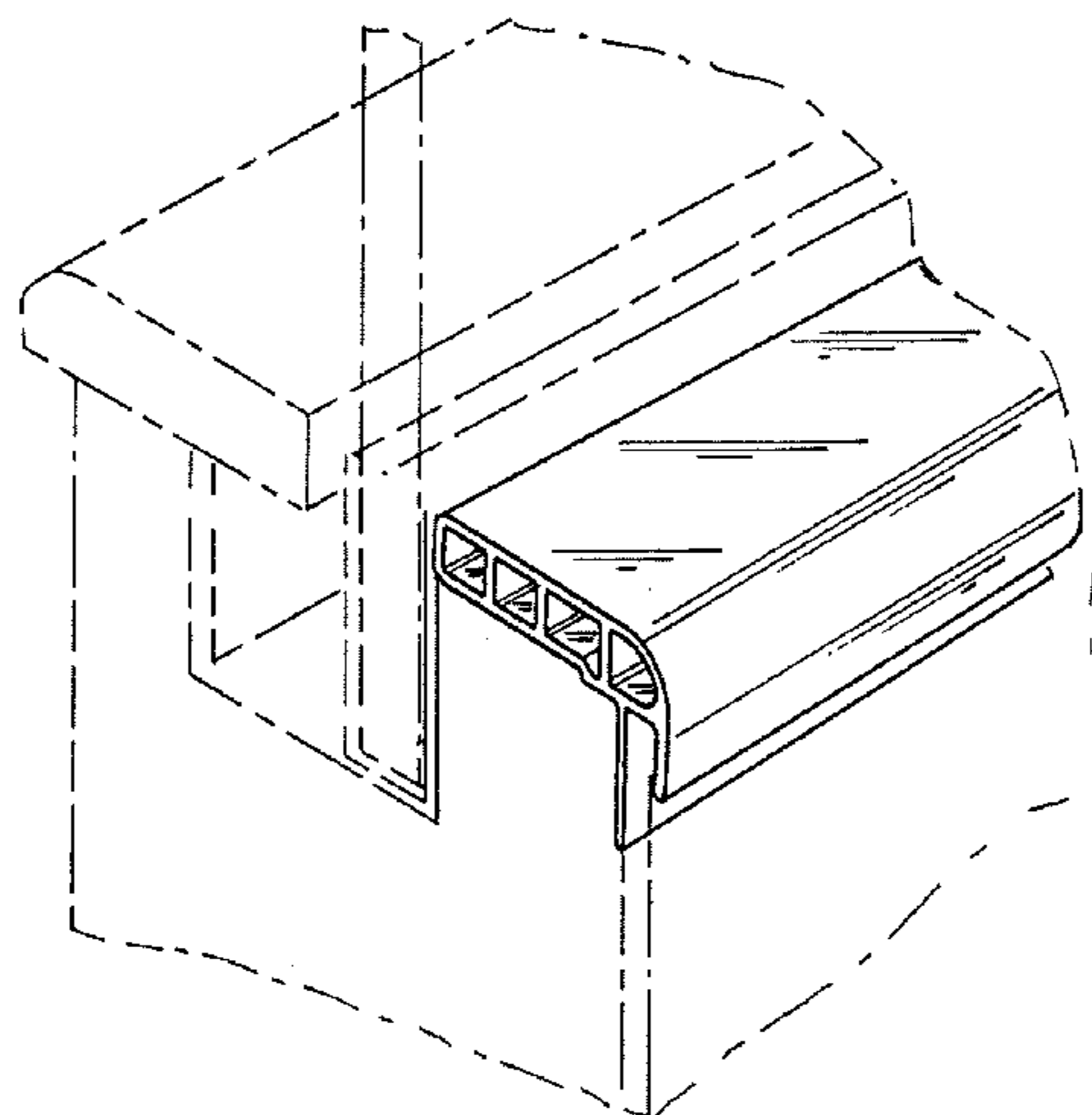
FIG. 5 is a bottom plan view;

FIG. 6 is a rear elevational view; and,

FIG. 7 is a front elevational view.

The broken line drawings of the dasher board are for illustra-
tive purposes only and form no part of the claimed design.

1 Claim, 2 Drawing Sheets



(56)

References Cited

U.S. PATENT DOCUMENTS

6,004,218 A 12/1999 Keating et al.
6,036,155 A 3/2000 Tsui
6,093,109 A * 7/2000 Eden et al. 472/92
D430,316 S 8/2000 Guertin
6,095,503 A 8/2000 Burley et al.
6,106,401 A 8/2000 McAlpine
6,155,022 A 12/2000 DeCanio et al.
6,206,439 B1 3/2001 Kiefer et al.
6,406,081 B1 6/2002 Mahfet et al.
6,551,429 B1 4/2003 McAlpine
6,598,365 B2 7/2003 Abraham et al.
6,622,434 B1 9/2003 Garrett
D487,317 S 3/2004 Guertin
6,698,121 B2 3/2004 Wardle et al.
6,761,641 B2 7/2004 Martin et al.

6,783,461 B2 8/2004 Frazier et al.
6,817,952 B2 11/2004 Martin et al.
7,163,244 B2 1/2007 Meltzer
D572,841 S * 7/2008 Waters et al. D25/124
D584,835 S * 1/2009 Adderton D25/124
2003/0114234 A1 6/2003 Martin et al.
2007/0155518 A1 7/2007 Greiner et al.
2007/0287548 A1 12/2007 Irving et al.

FOREIGN PATENT DOCUMENTS

DE 299 17 587 U1 10/2000
EP 0180688 5/1986
FR 2436329 4/1980
FR 2568516 A1 2/1986
RU 43 470 U1 1/2005

* cited by examiner

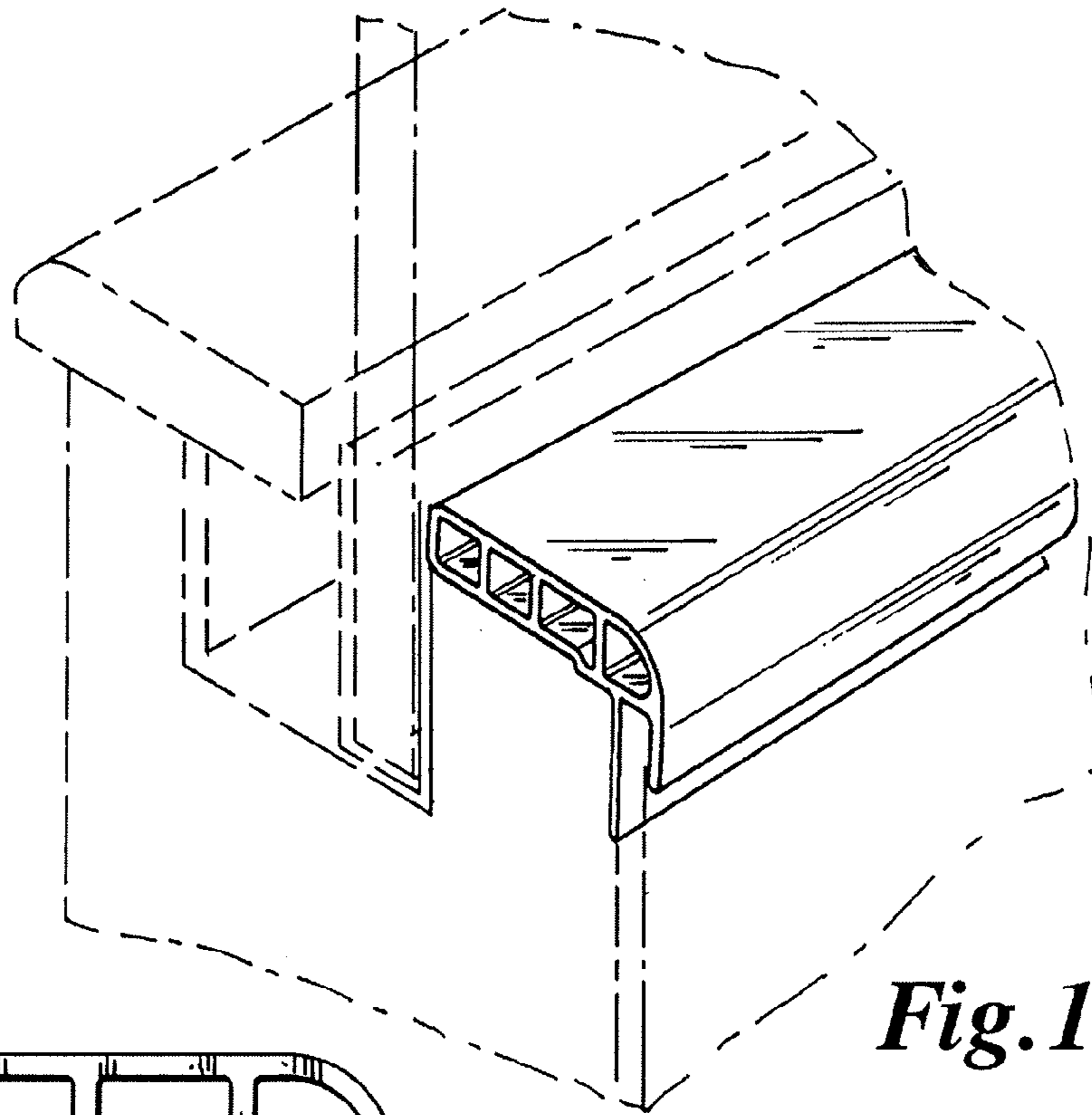


Fig. 1

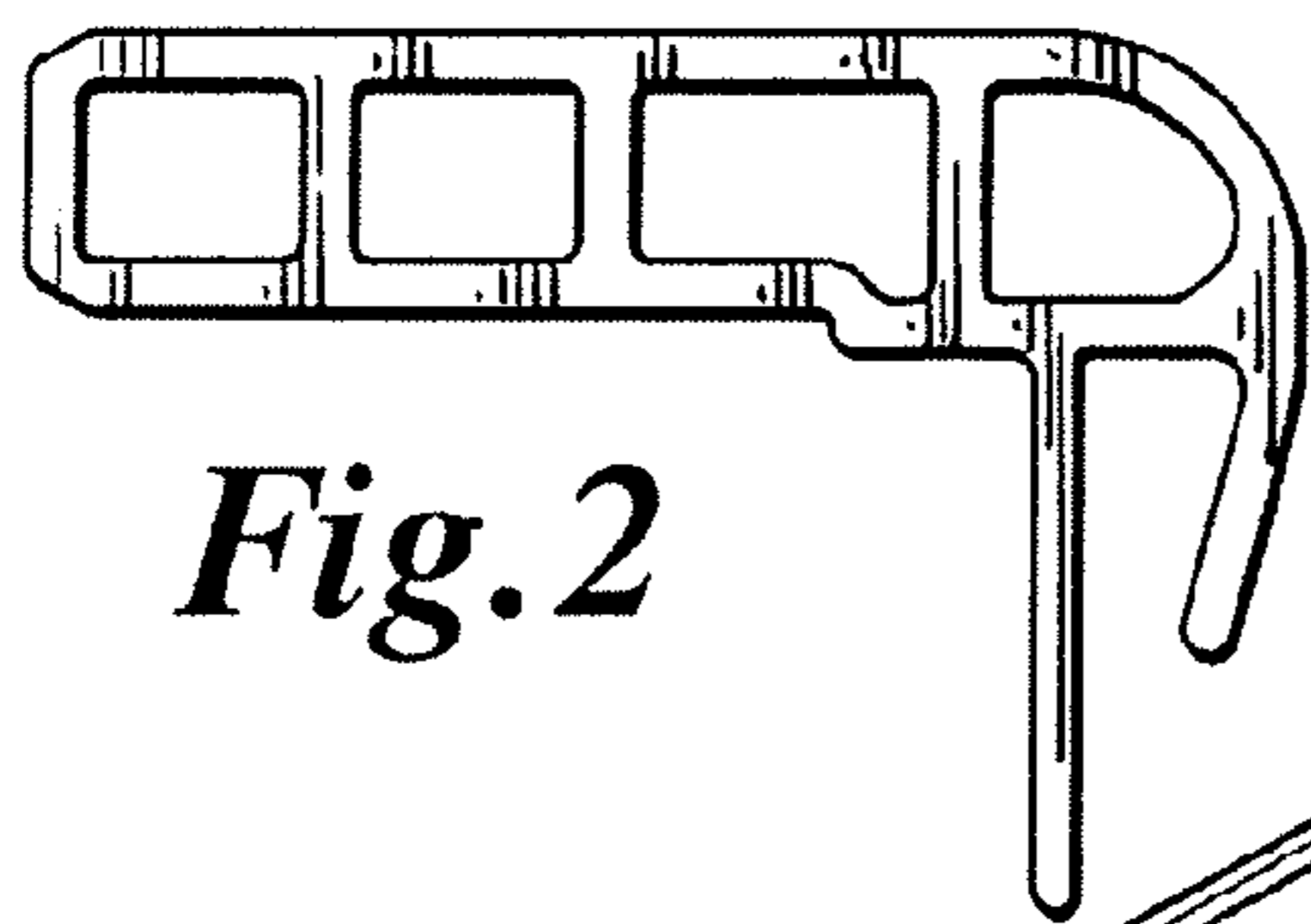


Fig. 2

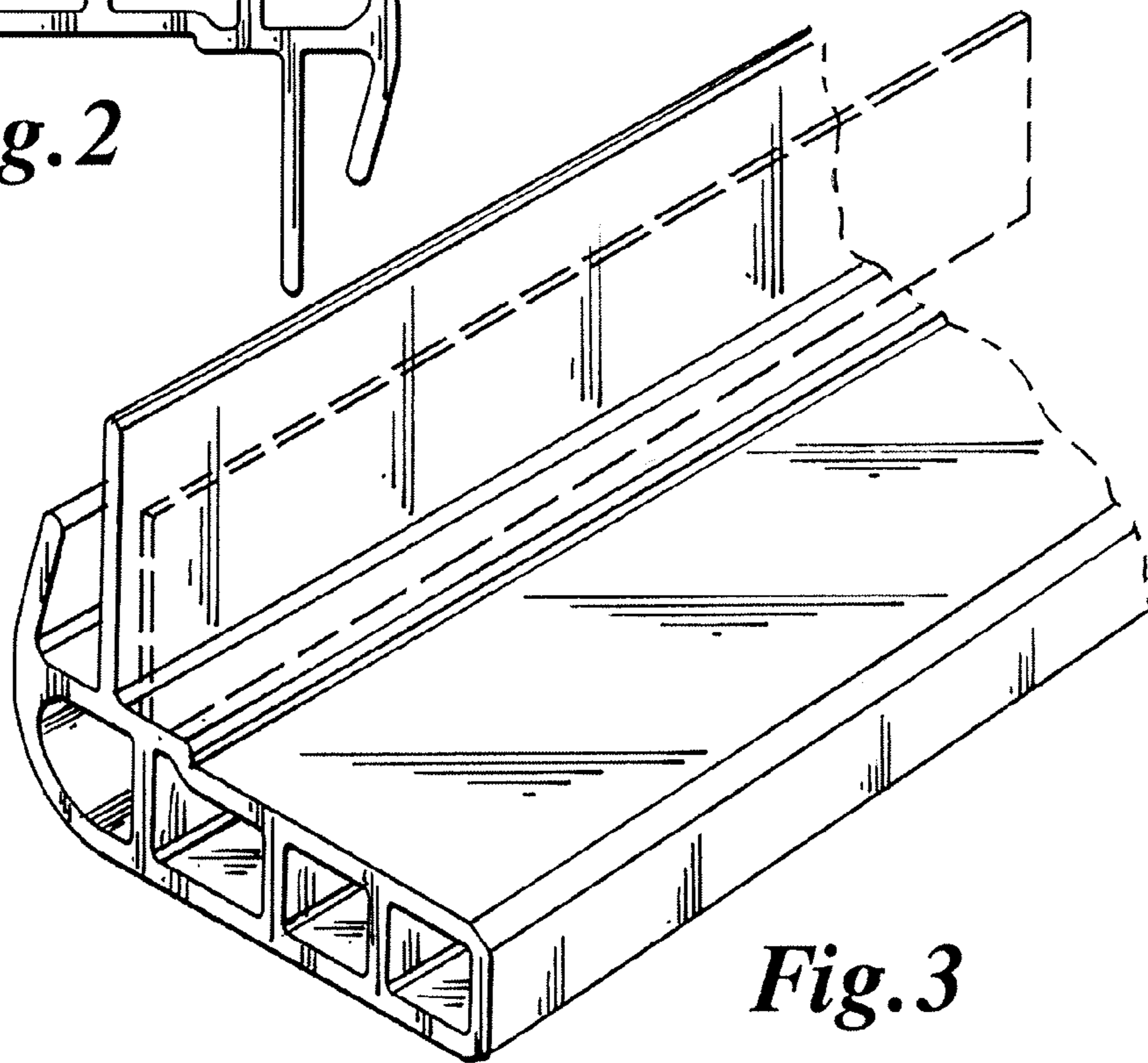


Fig. 3

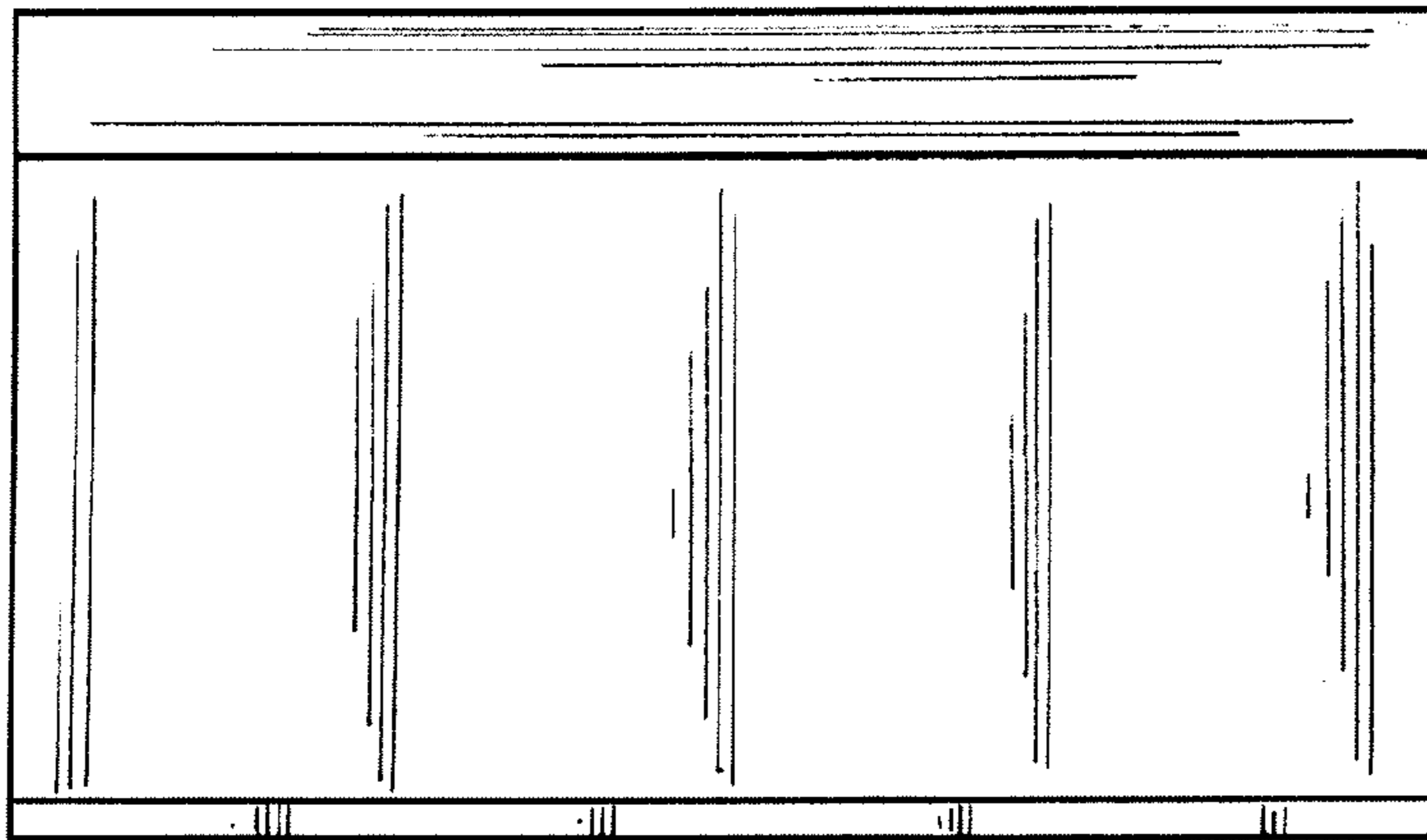


Fig. 4

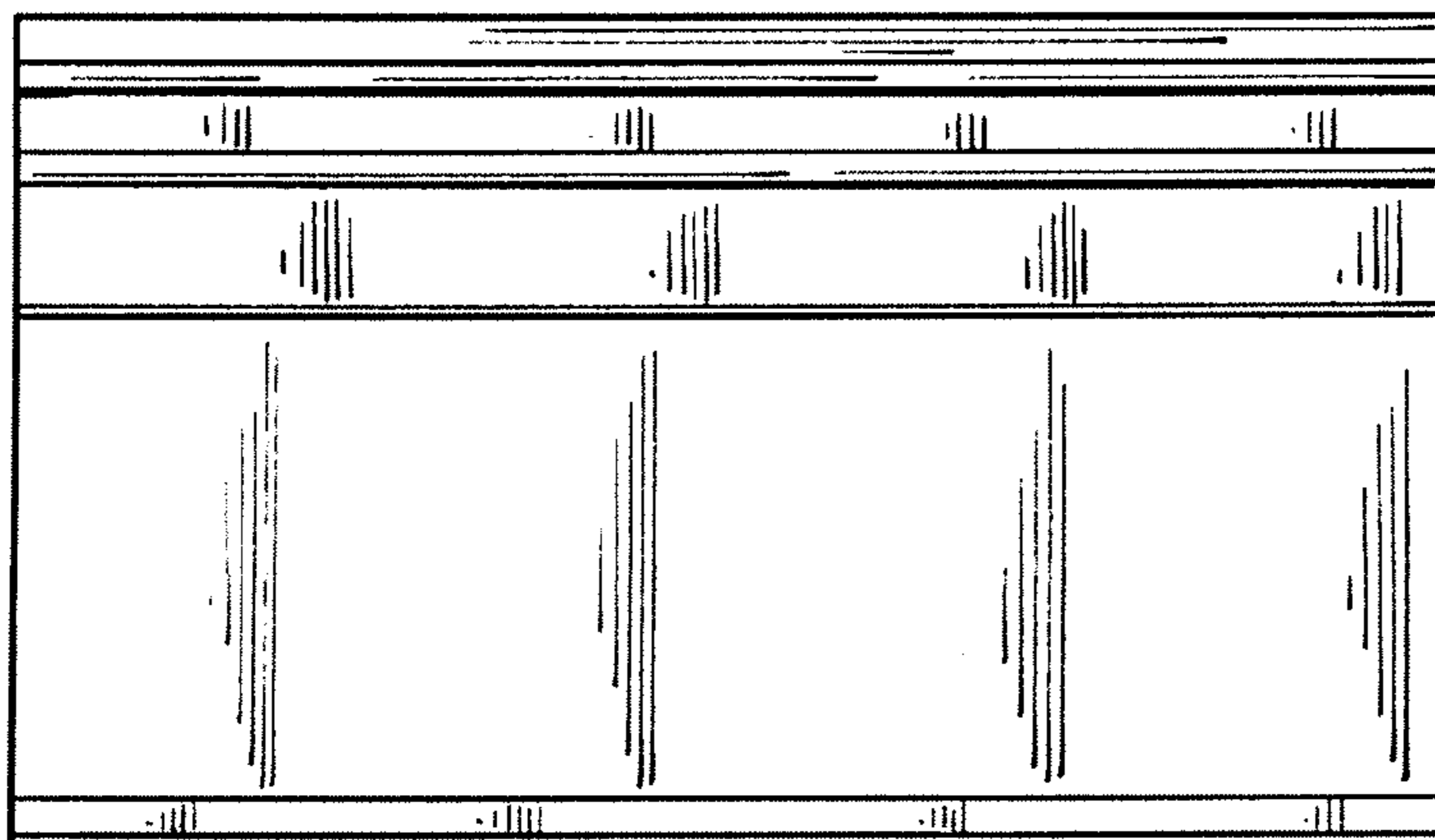


Fig. 5

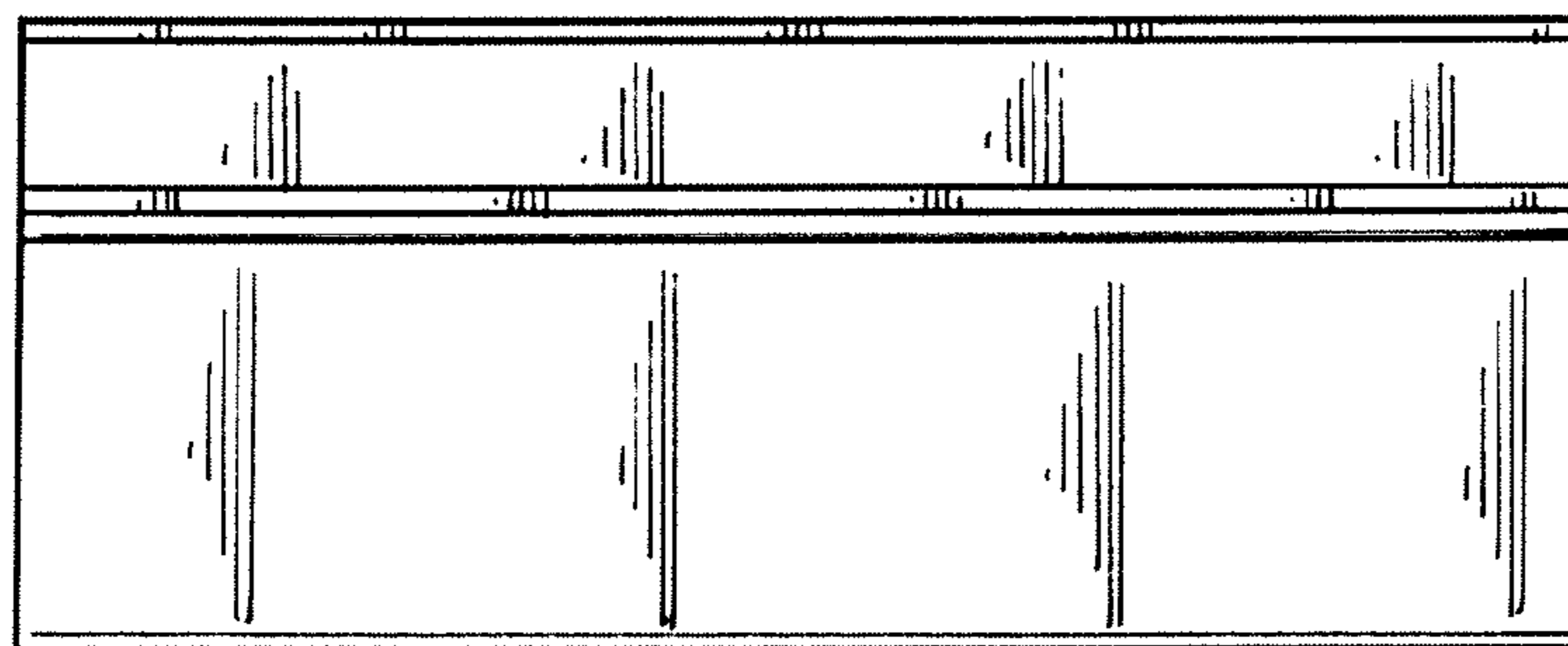


Fig. 6

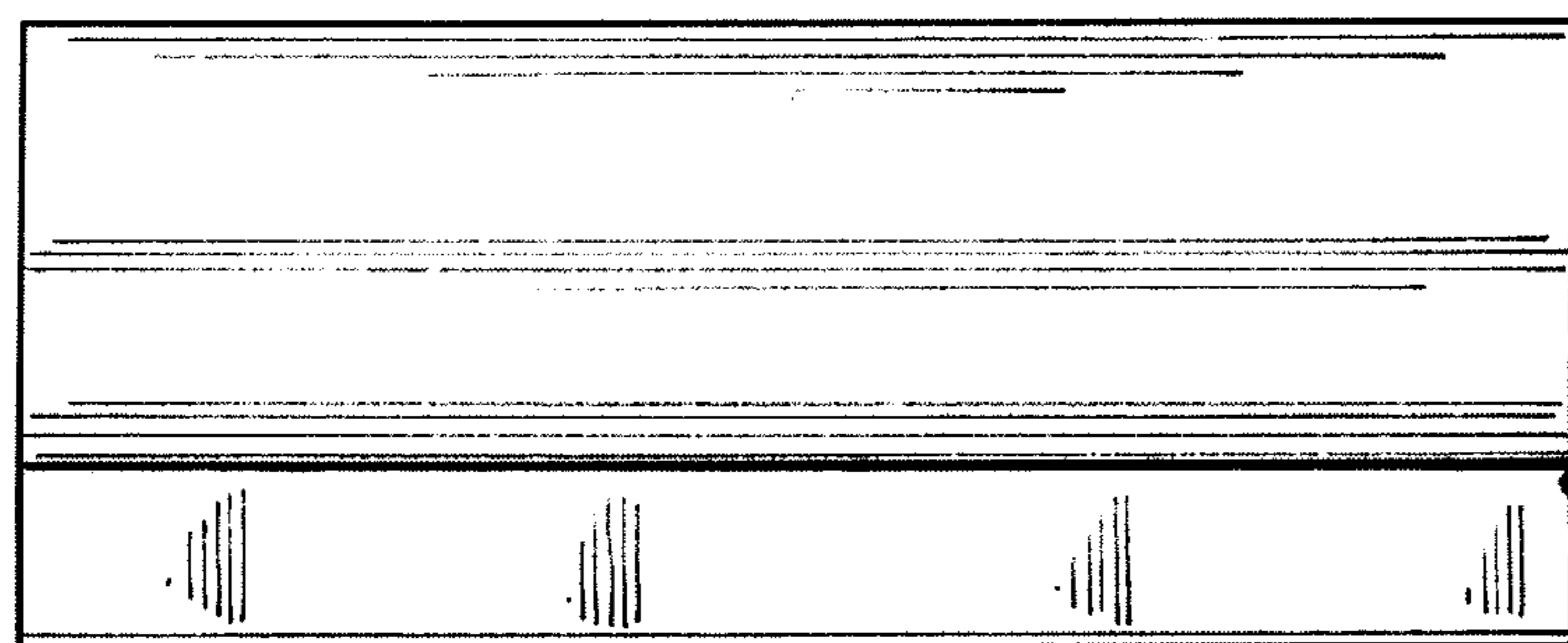


Fig. 7