



US00D713059S

(12) **United States Design Patent**
Decicio

(10) **Patent No.:** **US D713,059 S**

(45) **Date of Patent:** **** Sep. 9, 2014**

(54) **WINDOW COMPONENT EXTRUSION**

(56) **References Cited**

(71) Applicant: **Mikron Industries, Inc.**, Kent, WA (US)

U.S. PATENT DOCUMENTS

4,856,230 A * 8/1989 Slocomb 49/504
D640,802 S * 6/2011 Fannan D25/124

(72) Inventor: **Wendy Jo Decicio**, Auburn, WA (US)

* cited by examiner

Primary Examiner — Doris Clark

(73) Assignee: **Mikron Industries, Inc.**, Kent, WA (US)

(74) *Attorney, Agent, or Firm* — Zollinger & Burleson Ltd.

(**) Term: **14 Years**

(57) **CLAIM**

The ornamental design for a window component extrusion, as shown and described.

(21) Appl. No.: **29/442,247**

DESCRIPTION

(22) Filed: **Jan. 10, 2013**

(51) **LOC (10) Cl.** **25-01**

(52) **U.S. Cl.**

USPC **D25/124**

(58) **Field of Classification Search**

USPC D25/124; 52/204.1, 204.5, 204.55,
52/656.5, 656.6, 656.7; 49/501, 504,
49/DIG. 2

FIG. 1 is a top right perspective view of a first embodiment of the window component extrusion which is broken in the center indicating indefinite length,

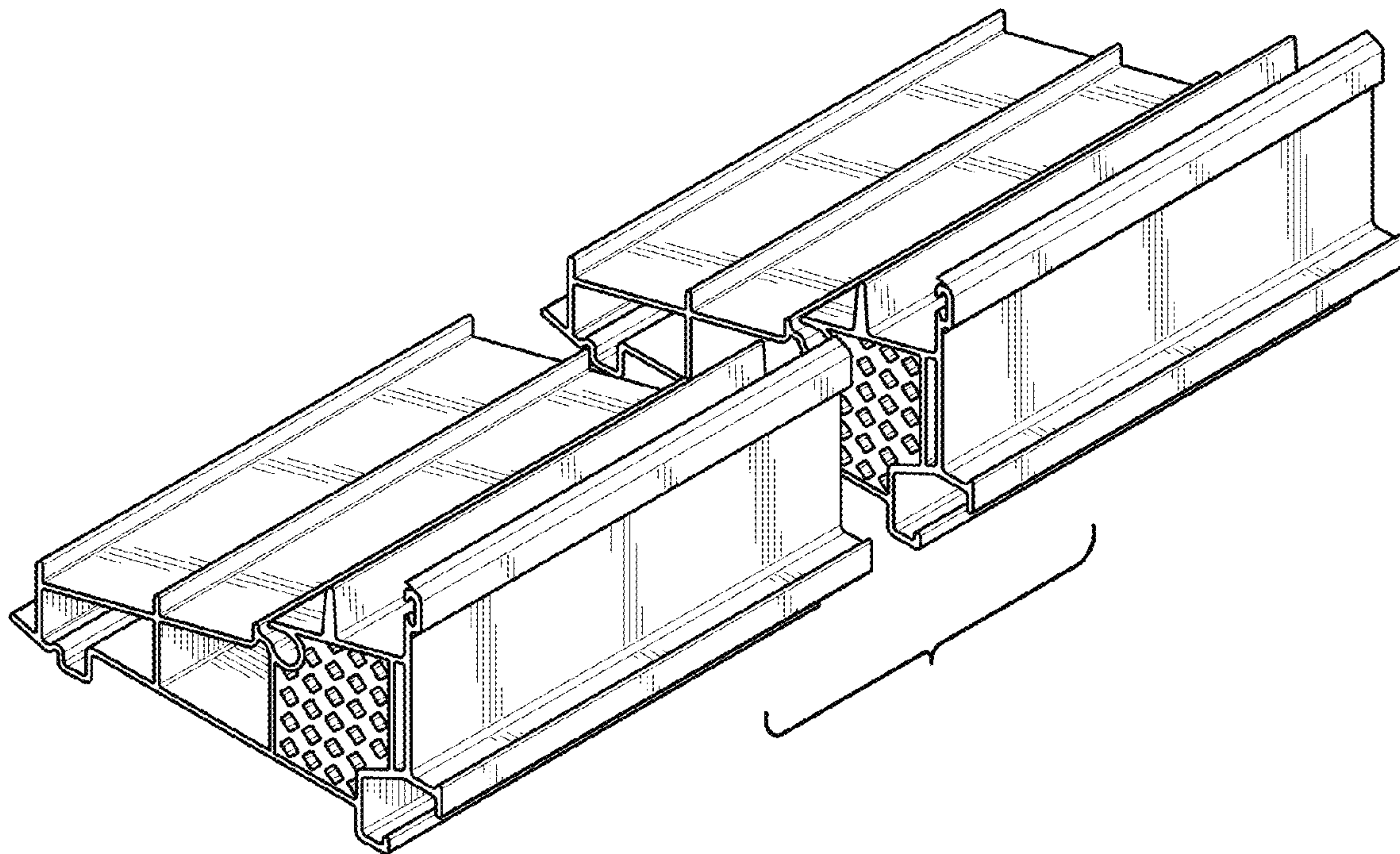
FIG. 2 is a bottom left perspective view of the window component extrusion shown in FIG. 1.

FIG. 3 is a top right perspective view of a second embodiment of the window component extrusion which is broken in the center indicating indefinite length; and,

FIG. 4 is a bottom left perspective view of the window component extrusion shown in FIG. 3.

See application file for complete search history.

1 Claim, 2 Drawing Sheets



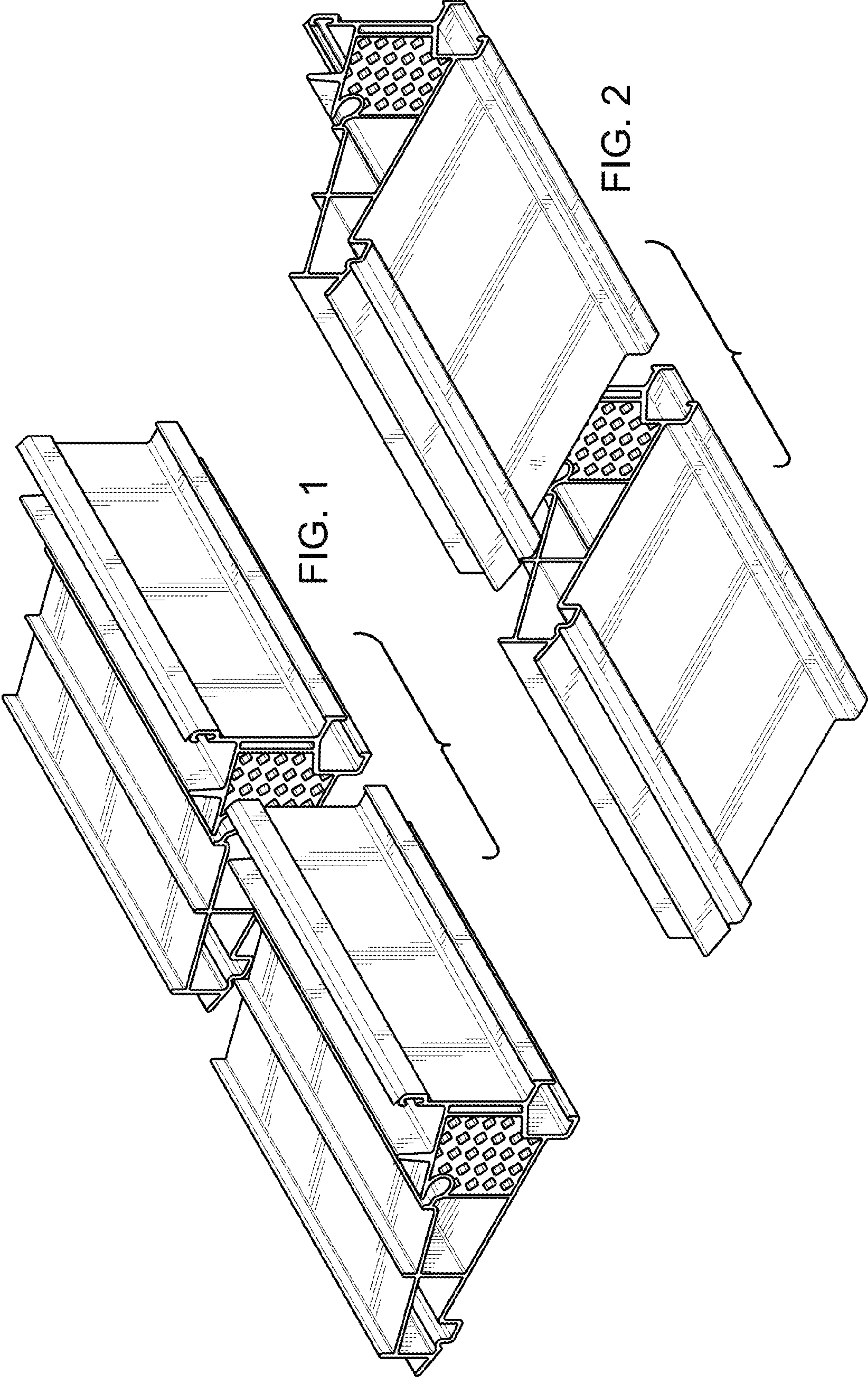


FIG. 1

FIG. 2

