



US00D713058S

(12) **United States Design Patent**
Kosonen

(10) **Patent No.:** **US D713,058 S**

(45) **Date of Patent:** **** Sep. 9, 2014**

(54) **WINDOW COMPONENT EXTRUSION**

(56) **References Cited**

(71) Applicant: **Mikron Industries, Inc.**, Kent, WA (US)

U.S. PATENT DOCUMENTS

(72) Inventor: **Martin Stanley Kosonen**, Seattle, WA (US)

D425,632 S * 5/2000 Franson et al. D25/124
6,334,283 B1 * 1/2002 Edger 52/204.1

(73) Assignee: **Mikron Industries, Inc.**, Kent, WA (US)

* cited by examiner

(**) Term: **14 Years**

Primary Examiner — Doris Clark

(74) *Attorney, Agent, or Firm* — Zollinger & Burleson Ltd.

(21) Appl. No.: **29/442,245**

(57) **CLAIM**

The ornamental design for a window component extrusion, as shown and described.

(22) Filed: **Jan. 10, 2013**

DESCRIPTION

(51) **LOC (10) Cl.** **25-01**

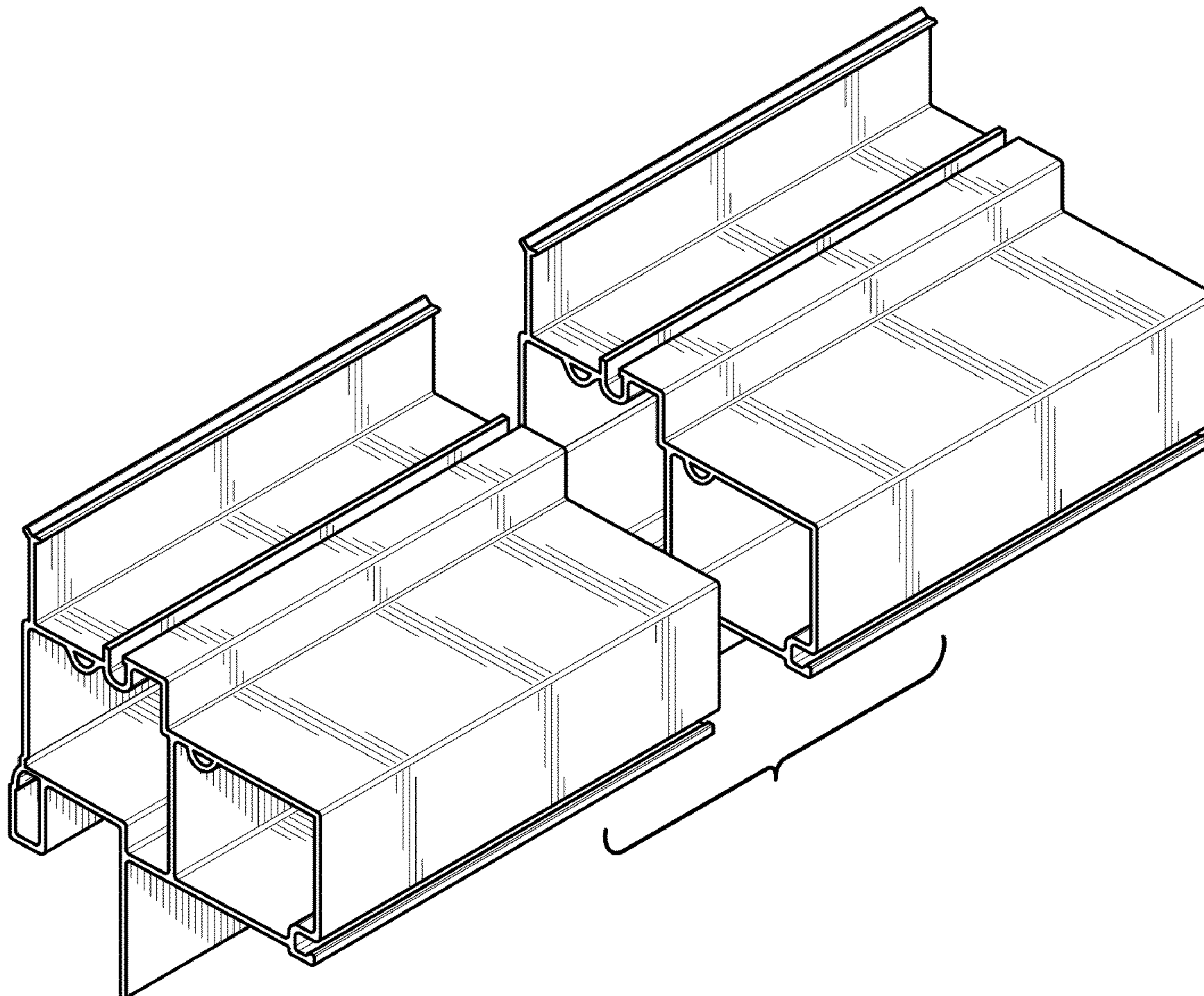
(52) **U.S. Cl.**
USPC **D25/124**

(58) **Field of Classification Search**
USPC D25/124; 52/204.1, 204.5, 204.55,
52/656.5, 656.6, 656.7; 49/501, 504,
49/DIG. 2

FIG. 1 is a top right perspective view of a window component extrusion which is broken in the center indicating indefinite length; and,
FIG. 2 is a bottom left perspective view of the window component extrusion shown in FIG. 1.

See application file for complete search history.

1 Claim, 1 Drawing Sheet



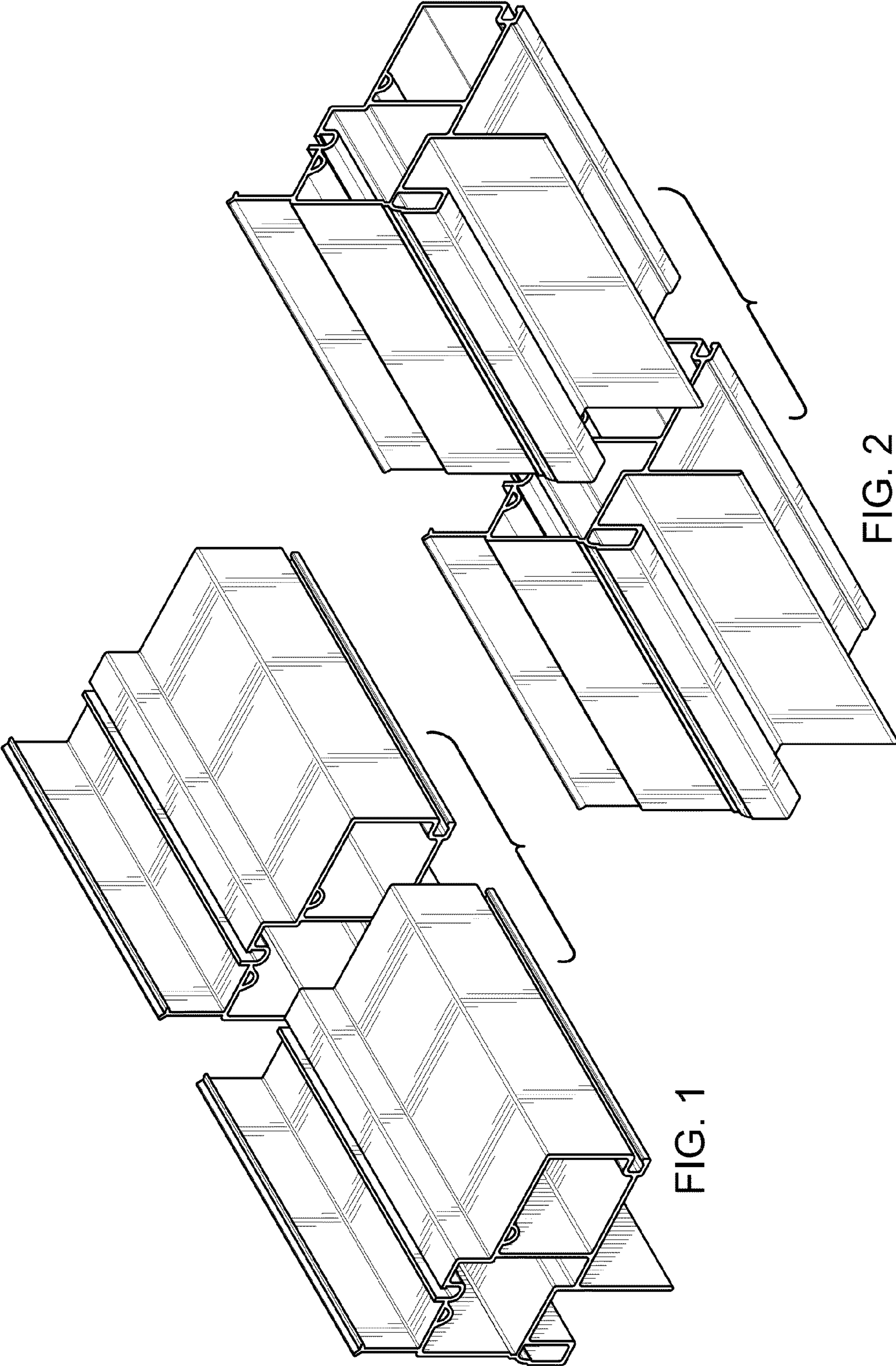


FIG. 1

FIG. 2