



US00D713042S

(12) **United States Design Patent**
Gerber et al.

(10) **Patent No.:** **US D713,042 S**

(45) **Date of Patent:** **** Sep. 9, 2014**

(54) **ULTRAFILTRATE RESERVOIR FOR DIALYSIS CABINET**

(71) Applicant: **Medtronic, Inc.**, Minneapolis, MN (US)

(72) Inventors: **Martin Gerber**, Maple Grove, MN (US); **David Lura**, Maple Grove, MN (US); **Bryant Pudil**, Plymouth, MN (US); **Thomas Meyer**, Stillwater, MN (US); **Brian Mullins**, Minneapolis, MN (US)

(73) Assignee: **Medtronic, Inc.**, Minneapolis, MN (US)

(**) Term: **14 Years**

(21) Appl. No.: **29/446,285**

(22) Filed: **Feb. 21, 2013**

(51) **LOC (10) Cl.** **24-00**

(52) **U.S. Cl.**
USPC **D24/185**

(58) **Field of Classification Search**

CPC A61B 5/0002; A61B 5/021; A61B 5/441; A61B 5/205; B01L 2300/0816; B01L 3/50825; A47J 36/12
USPC D24/185, 186, 144, 160, 167-169, 172, D24/200, 158, 164, 107, 108, 121; D34/12, D34/14; 312/22, 109, 209, 223.1, 286, 312/249.8, 249.12; 248/282.1; 600/437, 600/443, 459; D3/203.7, 203.8, 246, 279, D3/281, 201, 258, 271.12, 272, 282, 291, D3/276; 347/85-87; D7/601, 400, 404, D7/415; D18/43

See application file for complete search history.

(56) **References Cited**

U.S. PATENT DOCUMENTS

D189,177 S * 11/1960 Kivett D3/258
D195,772 S * 7/1963 Sanders D3/205
D206,514 S * 12/1966 Doblin D3/268

D254,221 S * 2/1980 Beekenkamp D3/246
D360,527 S * 7/1995 Corney et al. D3/279
D390,006 S * 2/1998 Pericleous D3/282
D467,349 S * 12/2002 Niedbala et al. D24/232
D552,351 S * 10/2007 Bauers D3/294
D598,109 S 8/2009 Collins et al.
D609,350 S 2/2010 Hickey et al.
D613,411 S 4/2010 Collins et al.
D629,906 S 12/2010 Hickey et al.
D631,548 S 1/2011 McGill et al.
D637,293 S 5/2011 Hickey et al.

(Continued)

Primary Examiner — Ian Simmons

Assistant Examiner — Rhea Shields

(74) *Attorney, Agent, or Firm* — Hahn & Voight PLLC; Roger C. Hahn

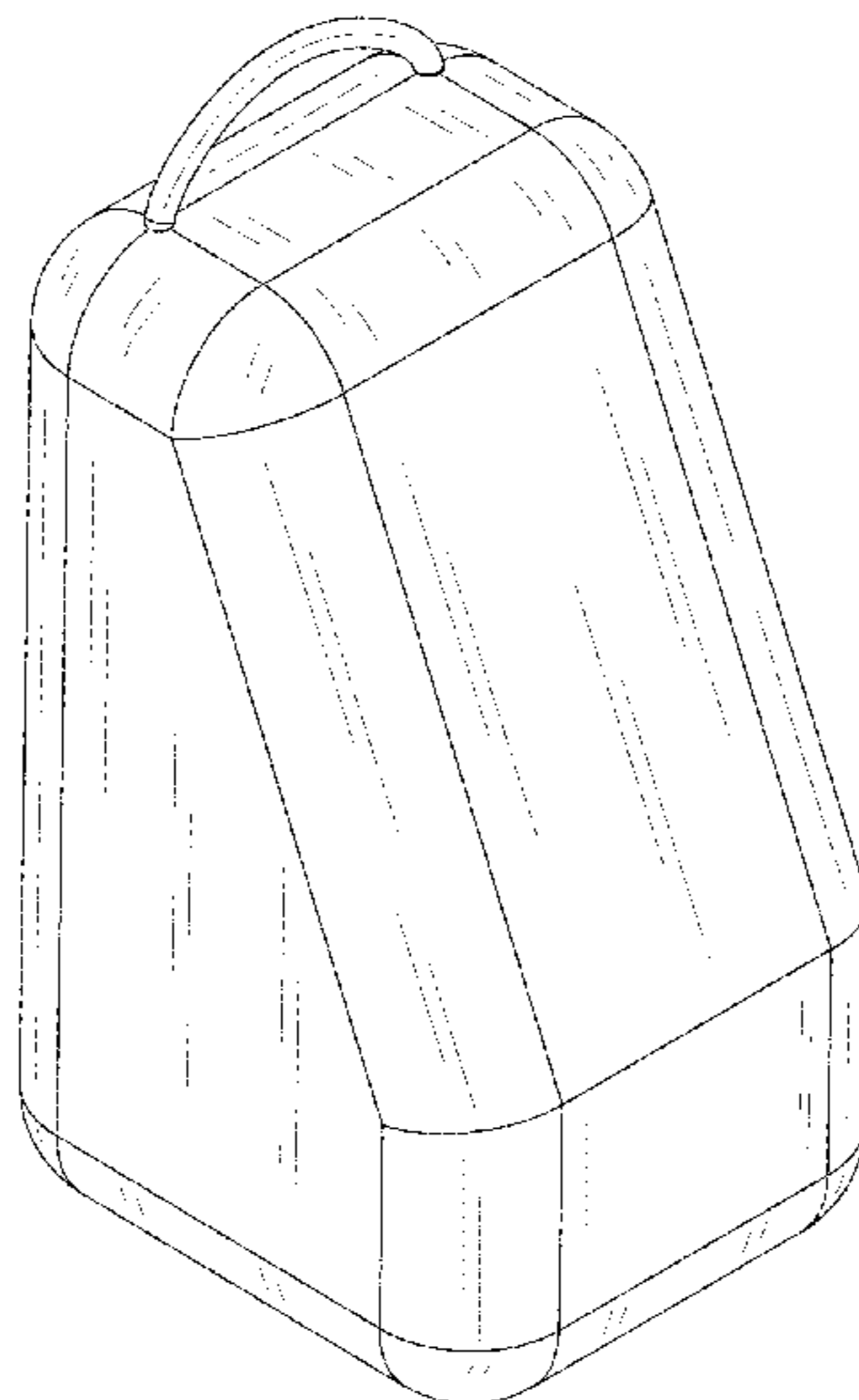
(57) **CLAIM**

We claim the ornamental design for a ultrafiltrate reservoir for a dialysis cabinet, as shown and described.

DESCRIPTION

FIG. 1 is a perspective view of an ultrafiltrate reservoir for a dialysis cabinet showing our new design;
FIG. 2 is a perspective view of an ultrafiltrate reservoir for a dialysis cabinet thereof;
FIG. 3 is a front view of the ultrafiltrate reservoir for the dialysis cabinet referenced in FIG. 2;
FIG. 4 is a rear view of the ultrafiltrate reservoir for the dialysis cabinet referenced in FIG. 2;
FIG. 5 is a left side view of the ultrafiltrate reservoir for the dialysis cabinet referenced in FIG. 2;
FIG. 6 is a right side view of the ultrafiltrate reservoir for the dialysis cabinet referenced in FIG. 2;
FIG. 7 is a top view of the ultrafiltrate reservoir for the dialysis cabinet referenced in FIG. 2; and,
FIG. 8 is a bottom view of the ultrafiltrate reservoir for the dialysis cabinet referenced in FIG. 2.
In the drawings, the broken lines depict environmental subject matter only and form no part of the claimed design.

1 Claim, 8 Drawing Sheets



(56)

References Cited

U.S. PATENT DOCUMENTS

D639,930 S 6/2011 Collins et al.
D644,544 S * 9/2011 Yukikado D10/81
D646,392 S 10/2011 Collins et al.
D650,063 S 12/2011 Collins et al.

D663,844 S 7/2012 McGill et al.
D664,255 S 7/2012 Hickey et al.
D664,660 S 7/2012 Hickey et al.
D665,917 S * 8/2012 TerMaat et al. D24/216
D675,727 S 2/2013 Collins et al.
D678,676 S * 3/2013 Bettua et al. D3/276
D687,150 S * 7/2013 Segman D24/186

* cited by examiner

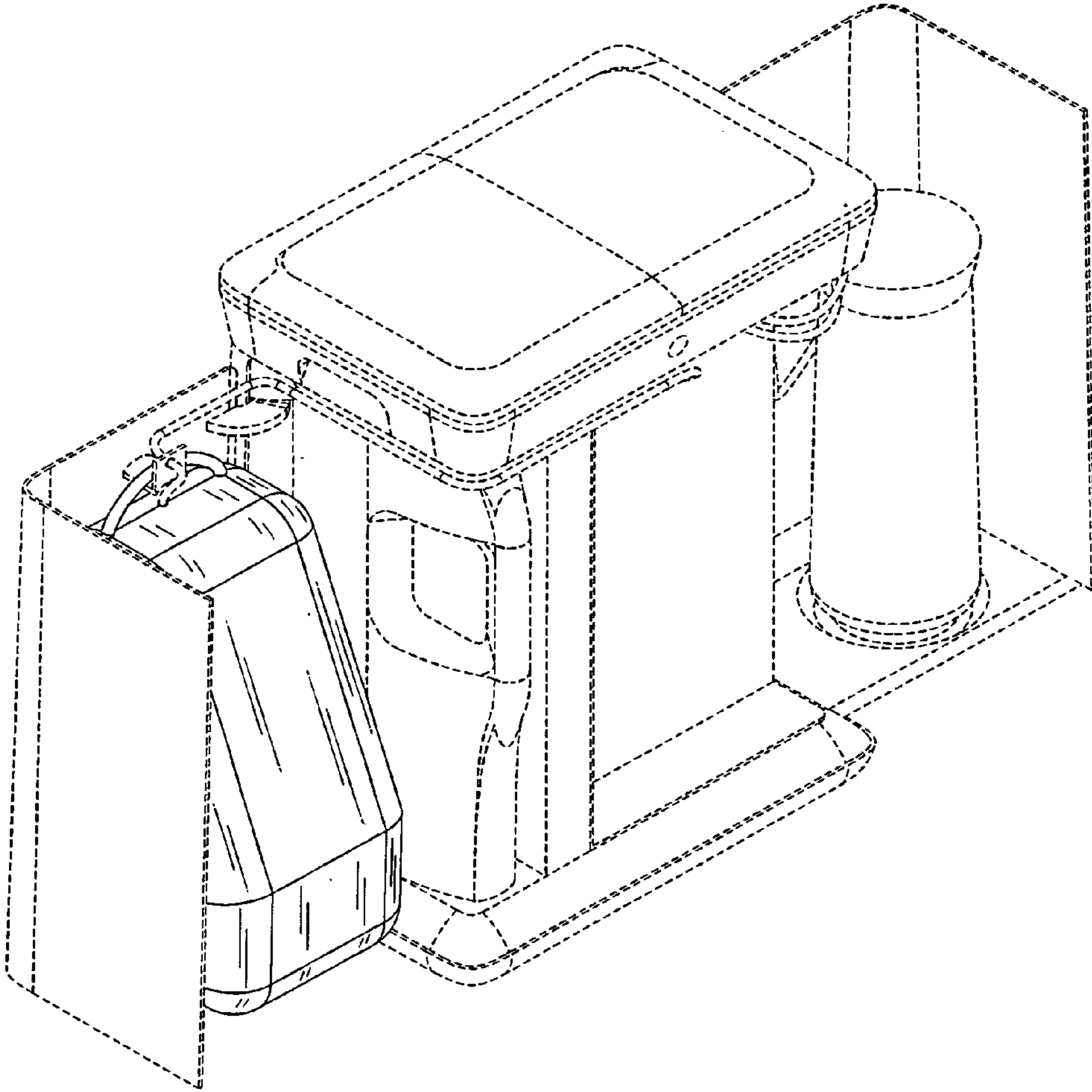


FIG. 1

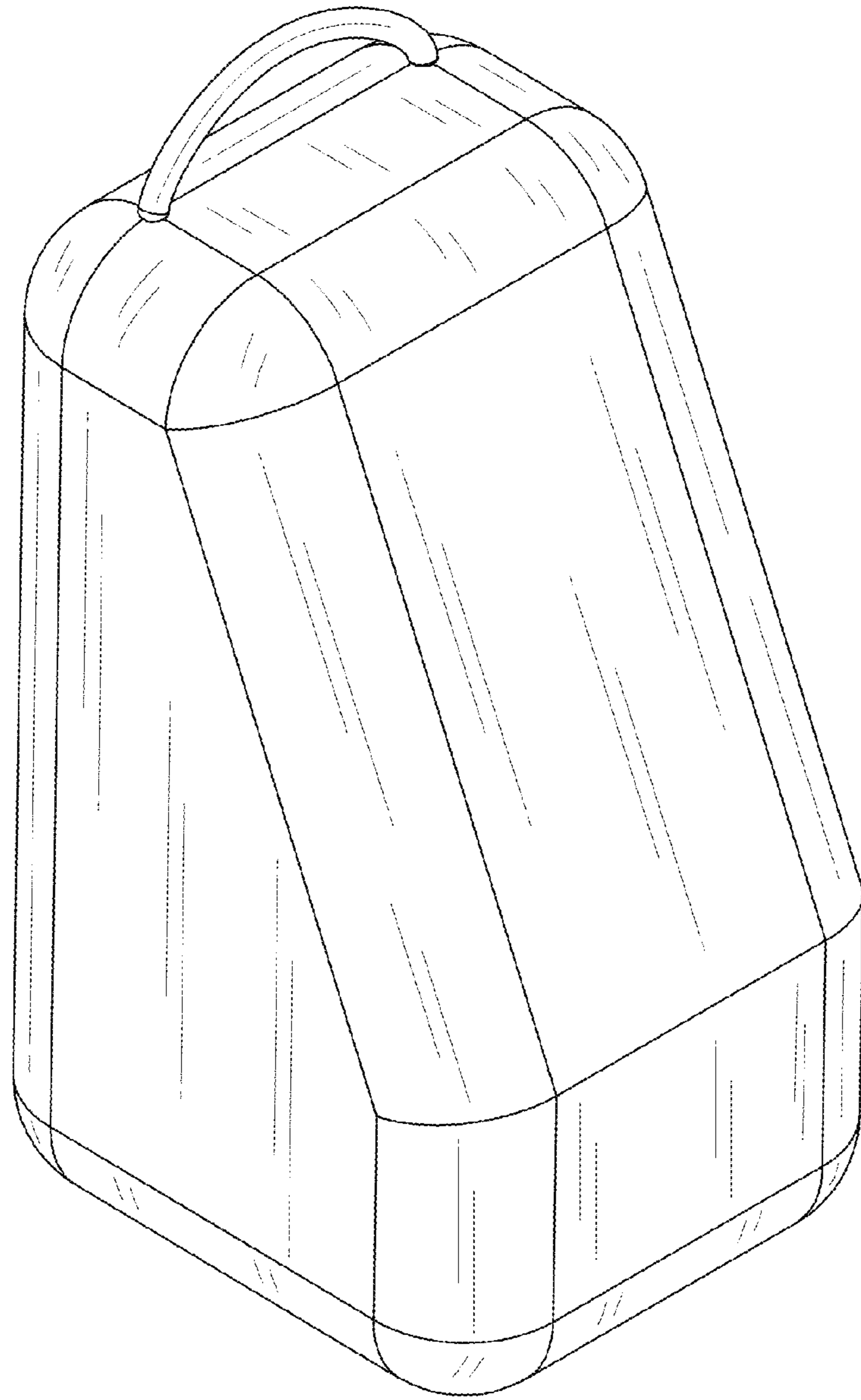


FIG. 2

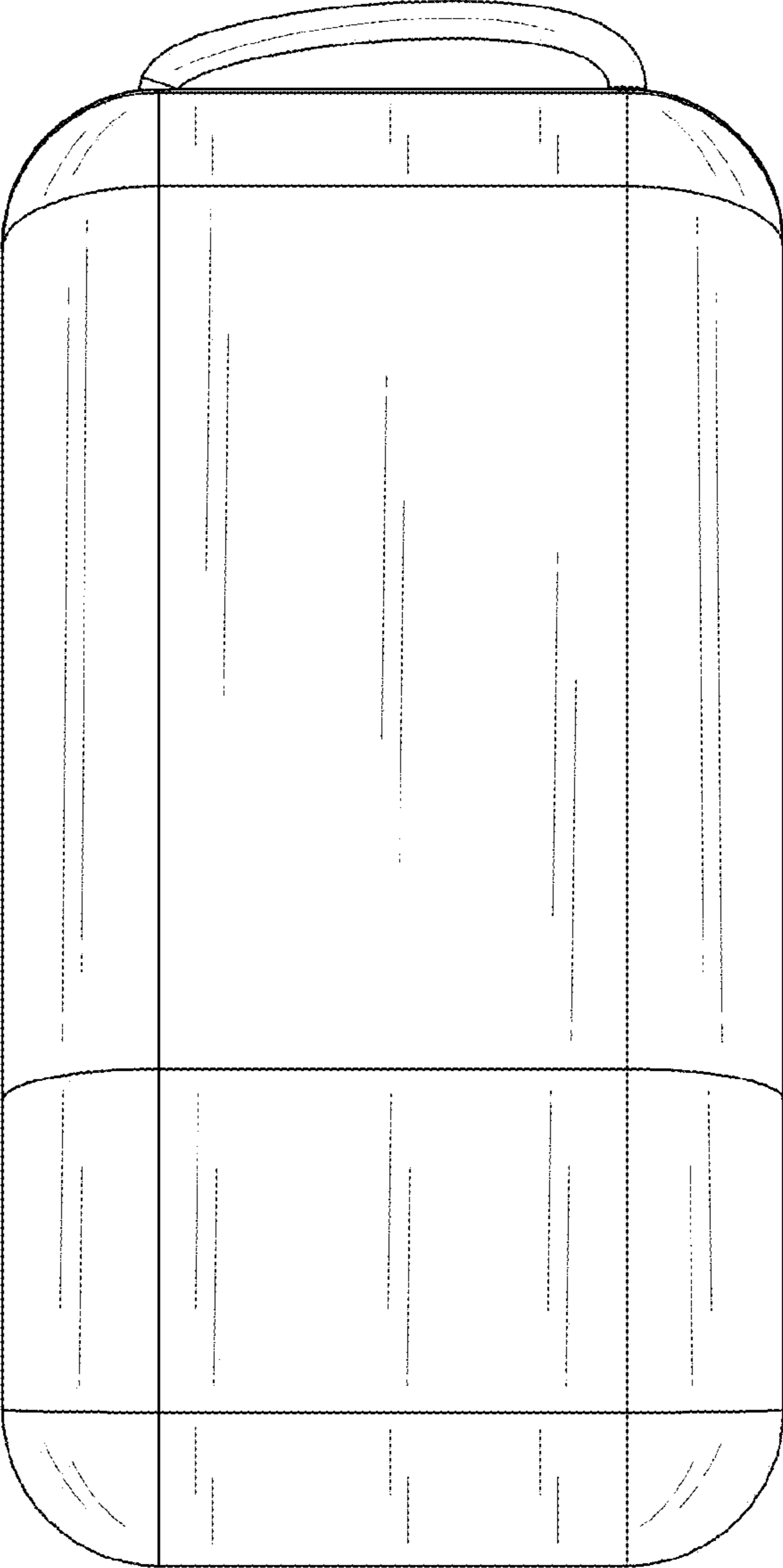


FIG. 3

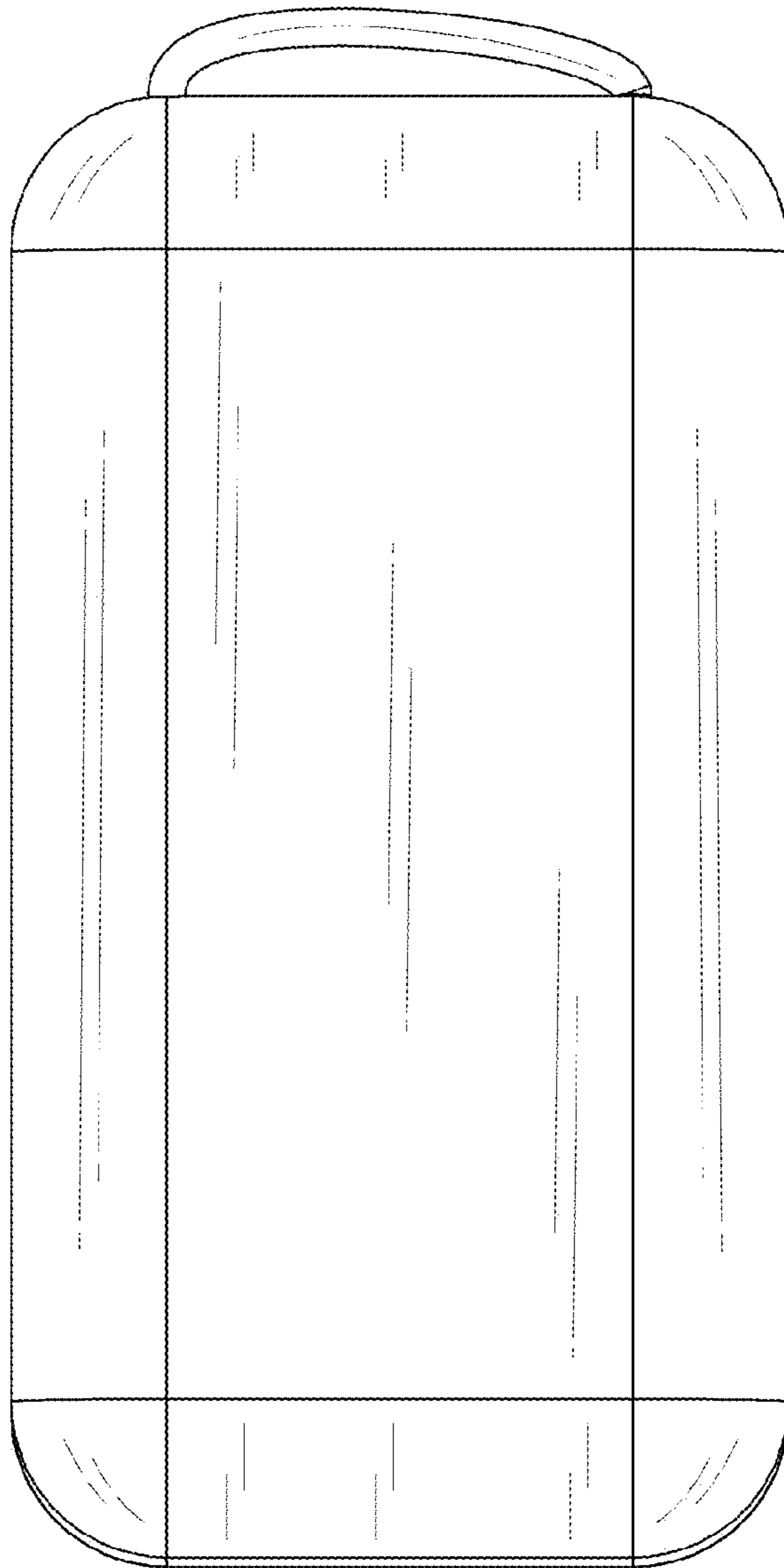


FIG. 4

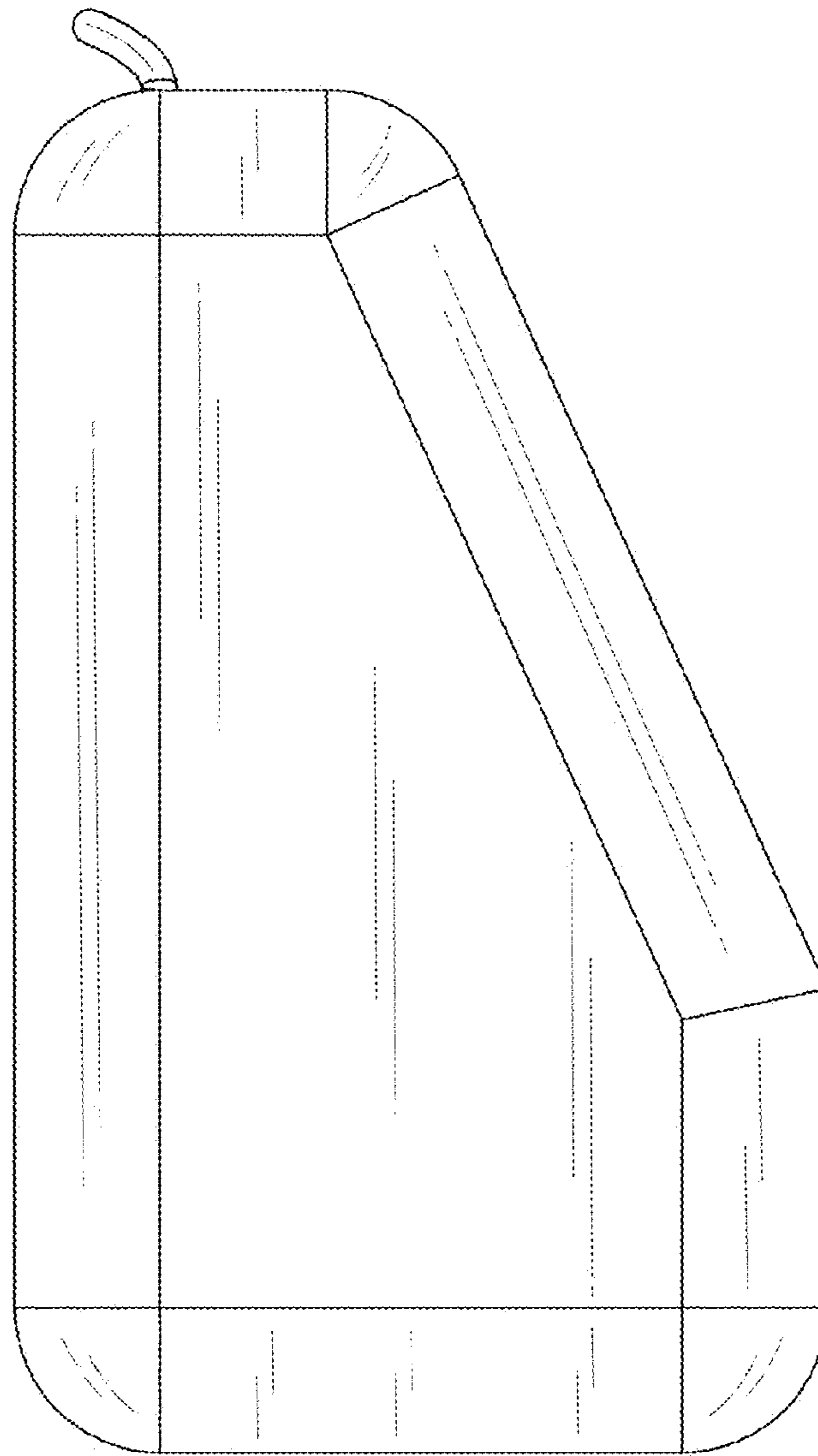


FIG. 5

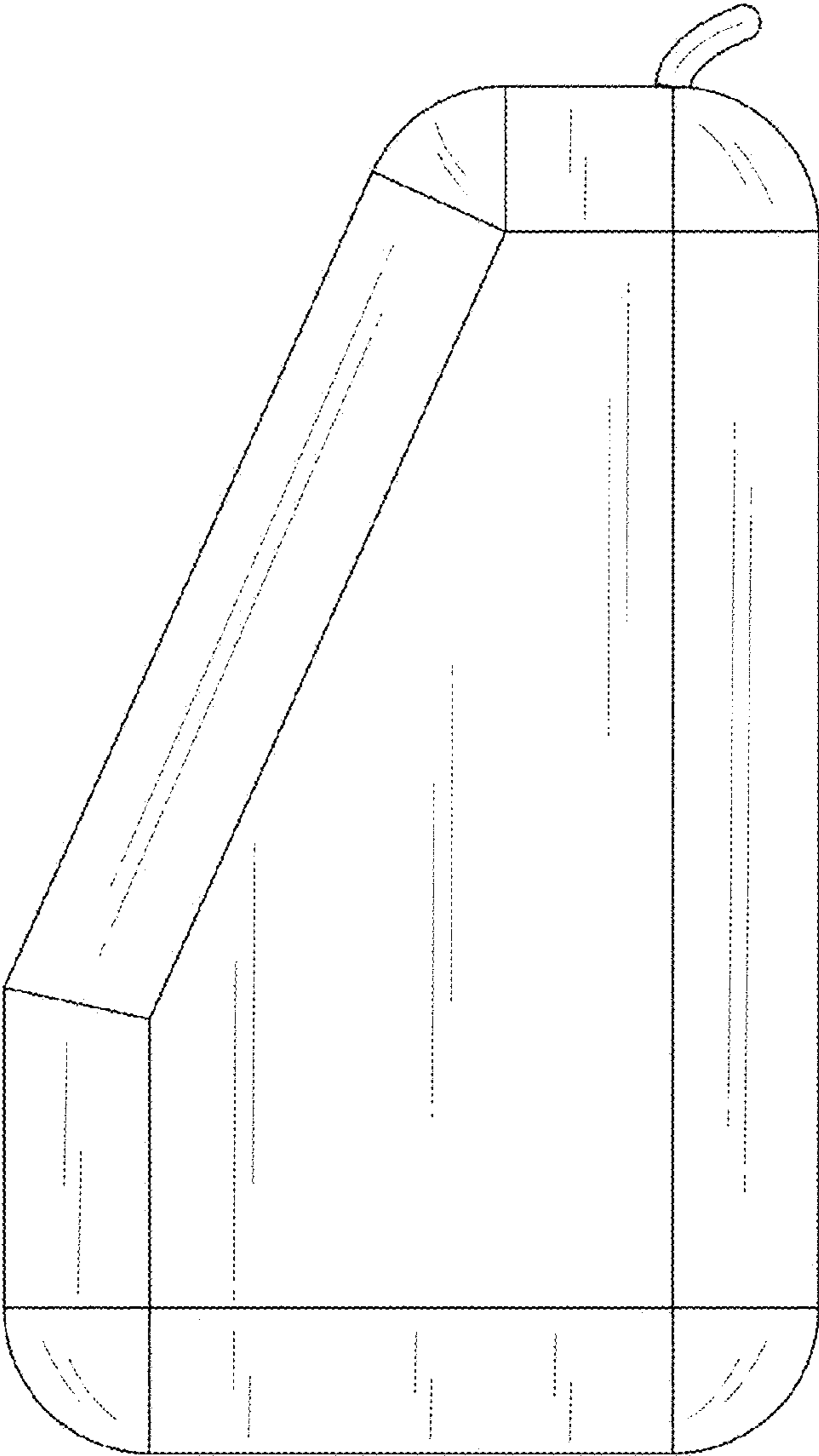


FIG. 6

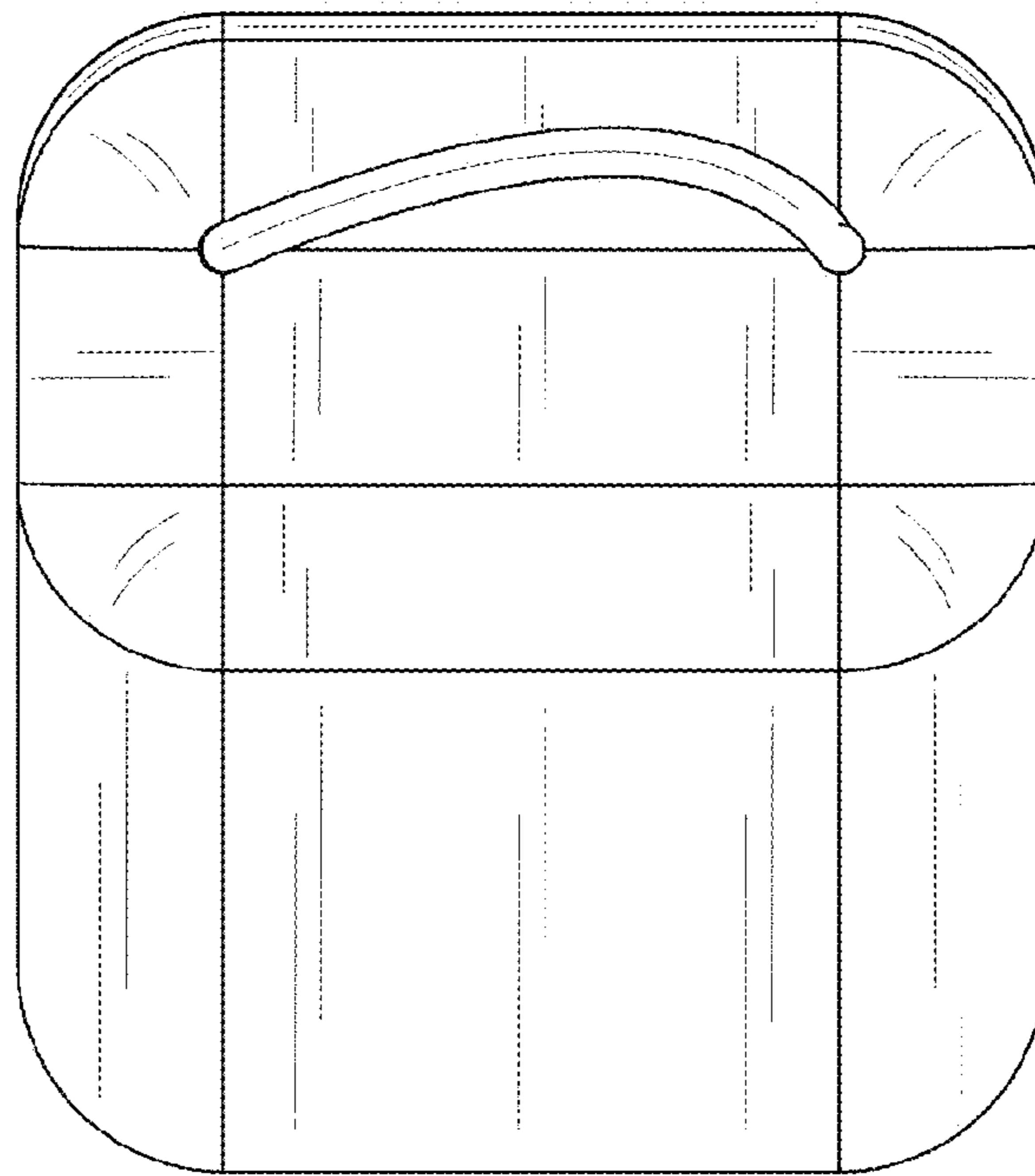


FIG. 7

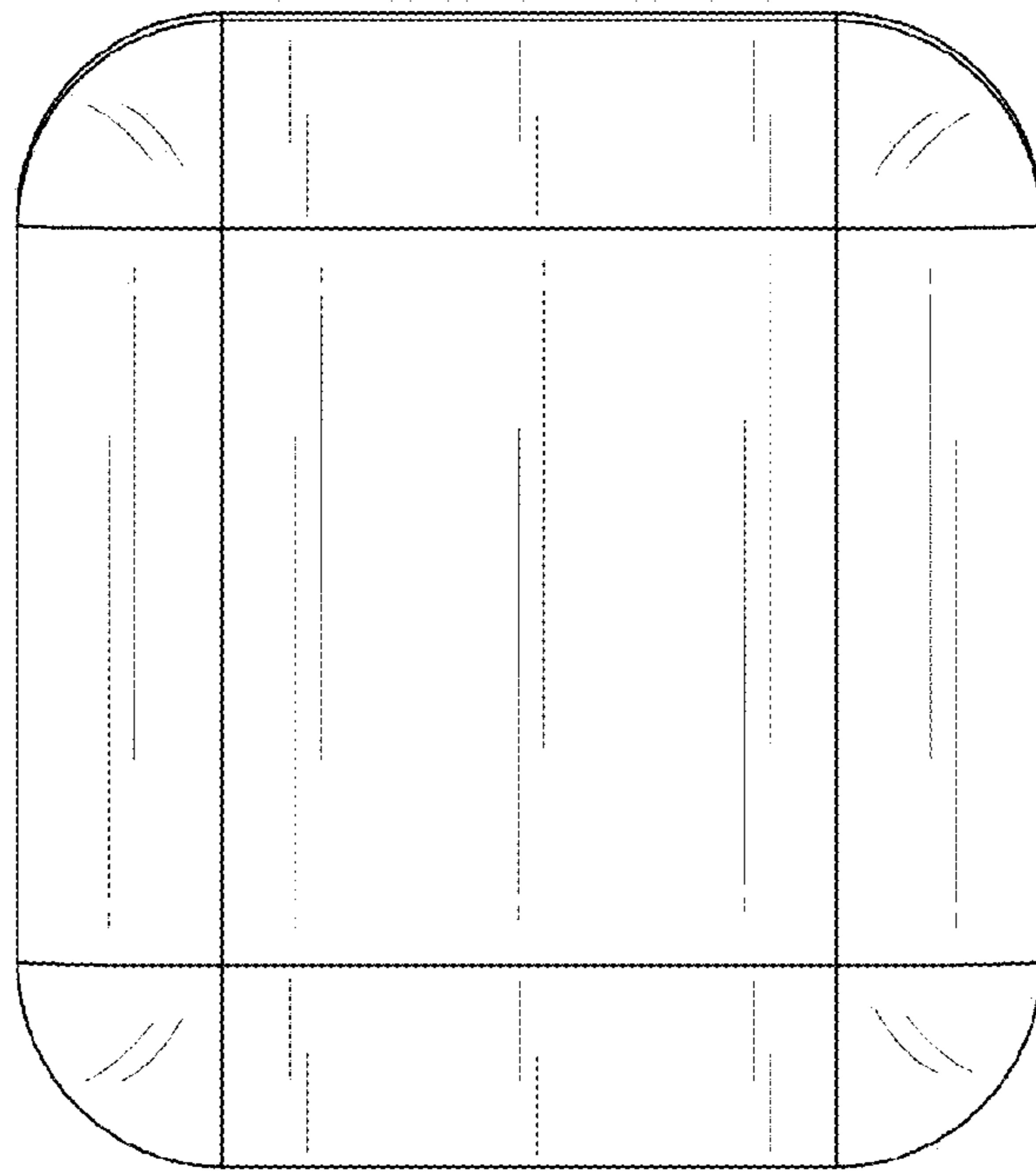


FIG. 8