



US00D713041S

(12) **United States Design Patent**
Xu et al.

(10) **Patent No.:** **US D713,041 S**
(45) **Date of Patent:** **** Sep. 9, 2014**

(54) **ENDOSCOPE WORKSTATION**

(75) Inventors: **Junwei Xu**, Shanghai (CN); **Xin Huang**, Shanghai (CN); **Tengfei Yang**, Shanghai (CN)

(73) Assignee: **Olympus (Beijing) Sales & Services, Ltd.**, Beijing (CN)

(**) Term: **14 Years**

(21) Appl. No.: **29/428,197**

(22) Filed: **Jul. 27, 2012**

(30) **Foreign Application Priority Data**

Jan. 28, 2011 (CN) 2011 3 0019568
Jun. 20, 2011 (CN) 2011 3 0187623

(51) **LOC (10) Cl.** **24-00**

(52) **U.S. Cl.**
USPC **D24/185**

(58) **Field of Classification Search**
USPC D24/130, 143, 150, 164, 170, 171, 172,
D24/177, 183, 185, 186, 188, 190, 221,
D24/234; 351/206, 224, 226; D6/509, 559,
D6/567

See application file for complete search history.

(56) **References Cited**

U.S. PATENT DOCUMENTS

D395,085 S * 6/1998 Kenley et al. D24/169
D528,216 S * 9/2006 Korner D24/232
D563,115 S * 3/2008 Atkins D6/426
D628,701 S * 12/2010 Nordgren et al. D24/185
D631,551 S * 1/2011 Nordgren et al. D24/185
D662,208 S * 6/2012 Otoha et al. D24/185

FOREIGN PATENT DOCUMENTS

CN 201054478 Y 4/2008
CN 201353210 Y 12/2009
CN 101664337 3/2010
JP 1996-131399 5/1996

JP 2006-198237 8/2006
WO WO 2005/044125 5/2005
WO WO 2005/074806 8/2005

OTHER PUBLICATIONS

[http://www.medicalexpo.com/prod/atmos-medizintechnik/ent-modular-workstations-6767 . . . *](http://www.medicalexpo.com/prod/atmos-medizintechnik/ent-modular-workstations-6767...)
[http://gmedpro.com/endoscopeworkstation.html.*](http://gmedpro.com/endoscopeworkstation.html)
[http://baike.baidu.com/view/2248611.htm.](http://baike.baidu.com/view/2248611.htm)
[http://baike.baidu.com/view/2234035.htm.](http://baike.baidu.com/view/2234035.htm)
[http://www.ondal.de/de/medizintechnik/produktuebersicht/leichtlast/.](http://www.ondal.de/de/medizintechnik/produktuebersicht/leichtlast/)

* cited by examiner

Primary Examiner — Ian Simmons

Assistant Examiner — Rhea Shields

(74) *Attorney, Agent, or Firm* — Frommer Lawrence & Haug LLP; William S. Frommer

(57) **CLAIM**

The ornamental design for an endoscope workstation, as shown and described.

DESCRIPTION

FIG. 1 is a front view of an endoscope workstation according to our invention;

FIG. 2 is a rear view thereof;

FIG. 3 is a left side view thereof;

FIG. 4 is a right side view thereof;

FIG. 5 is a top plan view thereof;

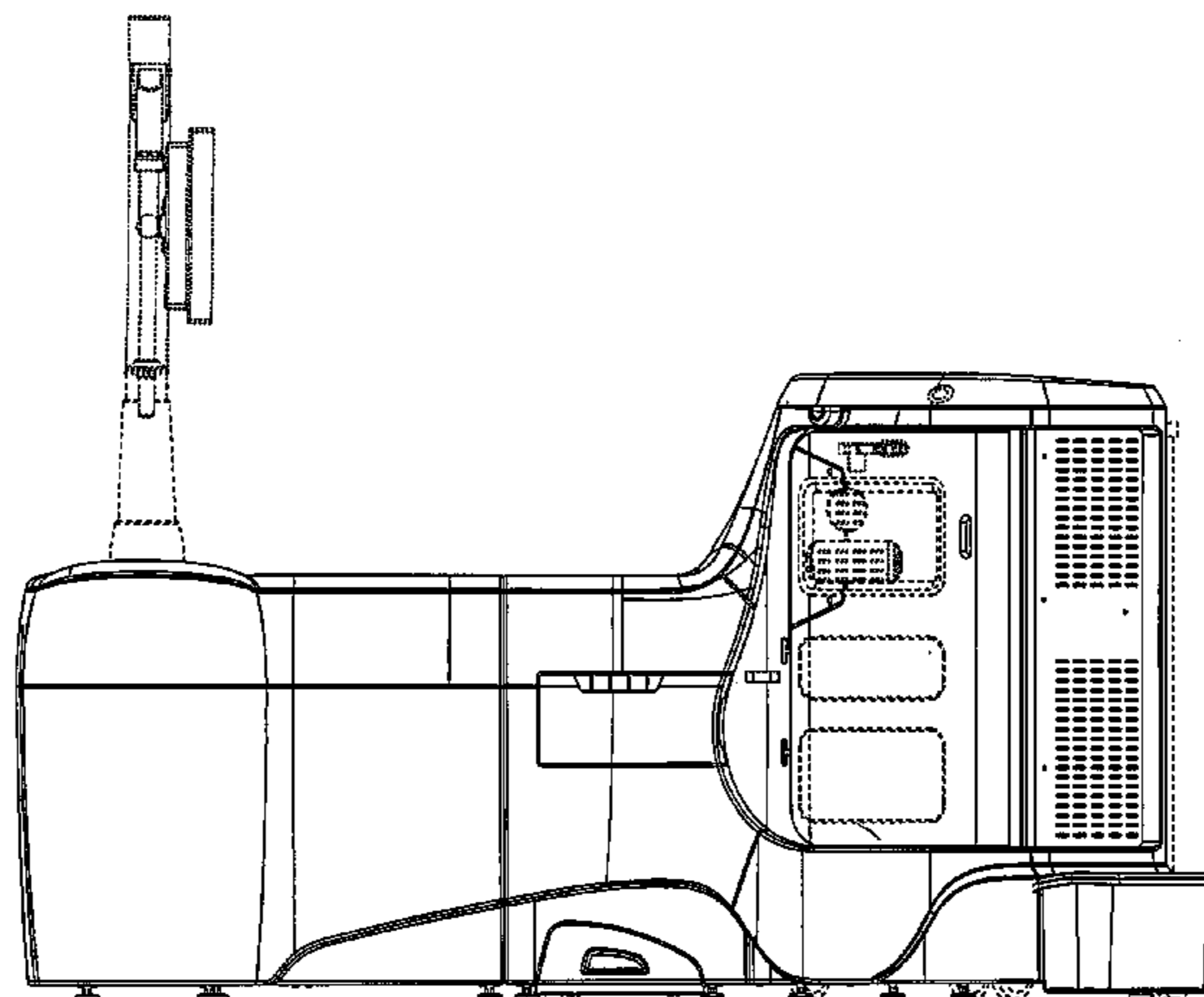
FIG. 6 is a bottom plan view thereof;

FIG. 7 is a front perspective view thereof; and,

FIG. 8 is a rear perspective view thereof.

The broken lines in the several figures are for the purpose of illustrating environmental structure and form no part of the claimed design.

1 Claim, 8 Drawing Sheets



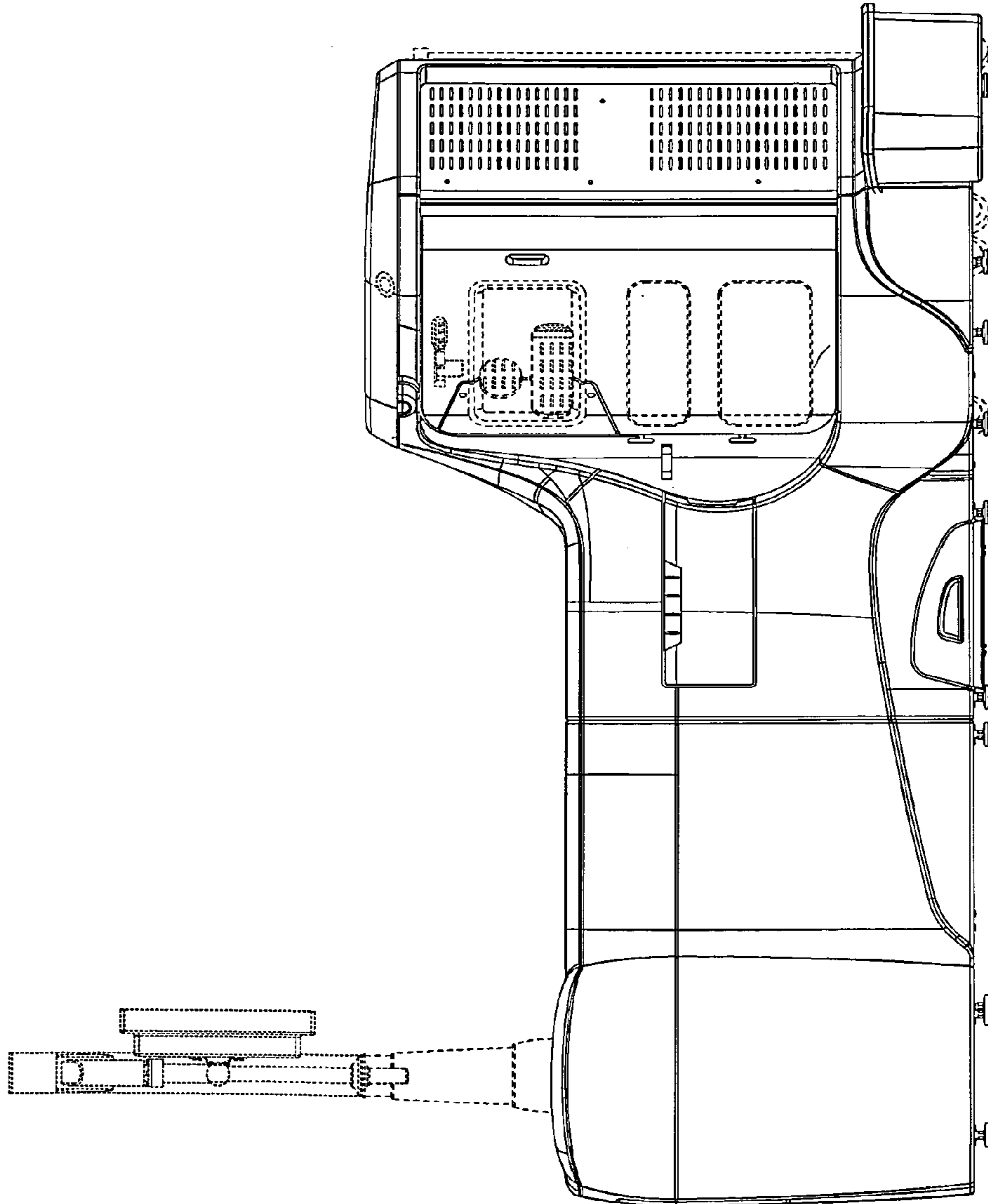


FIG. 1

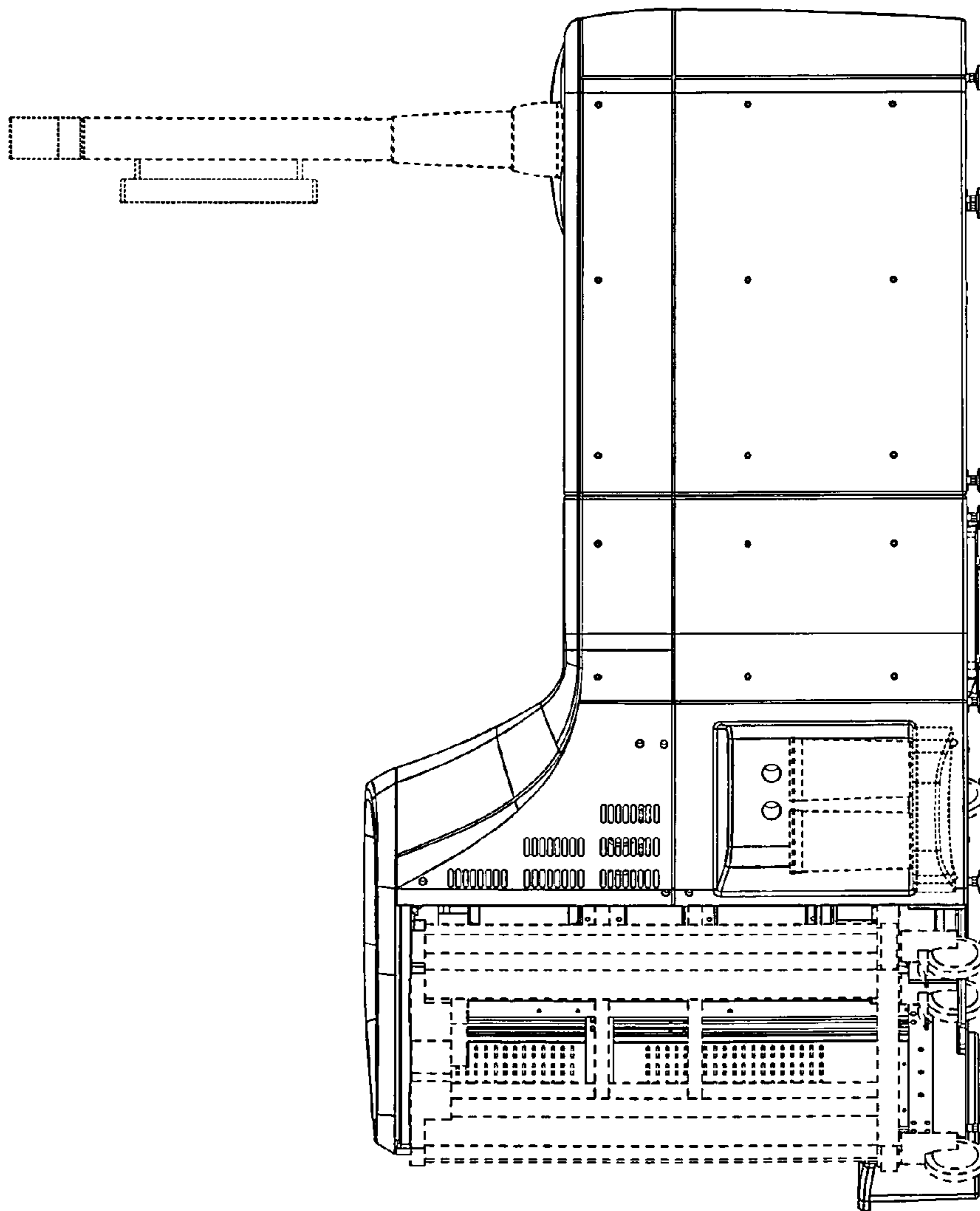


FIG. 2

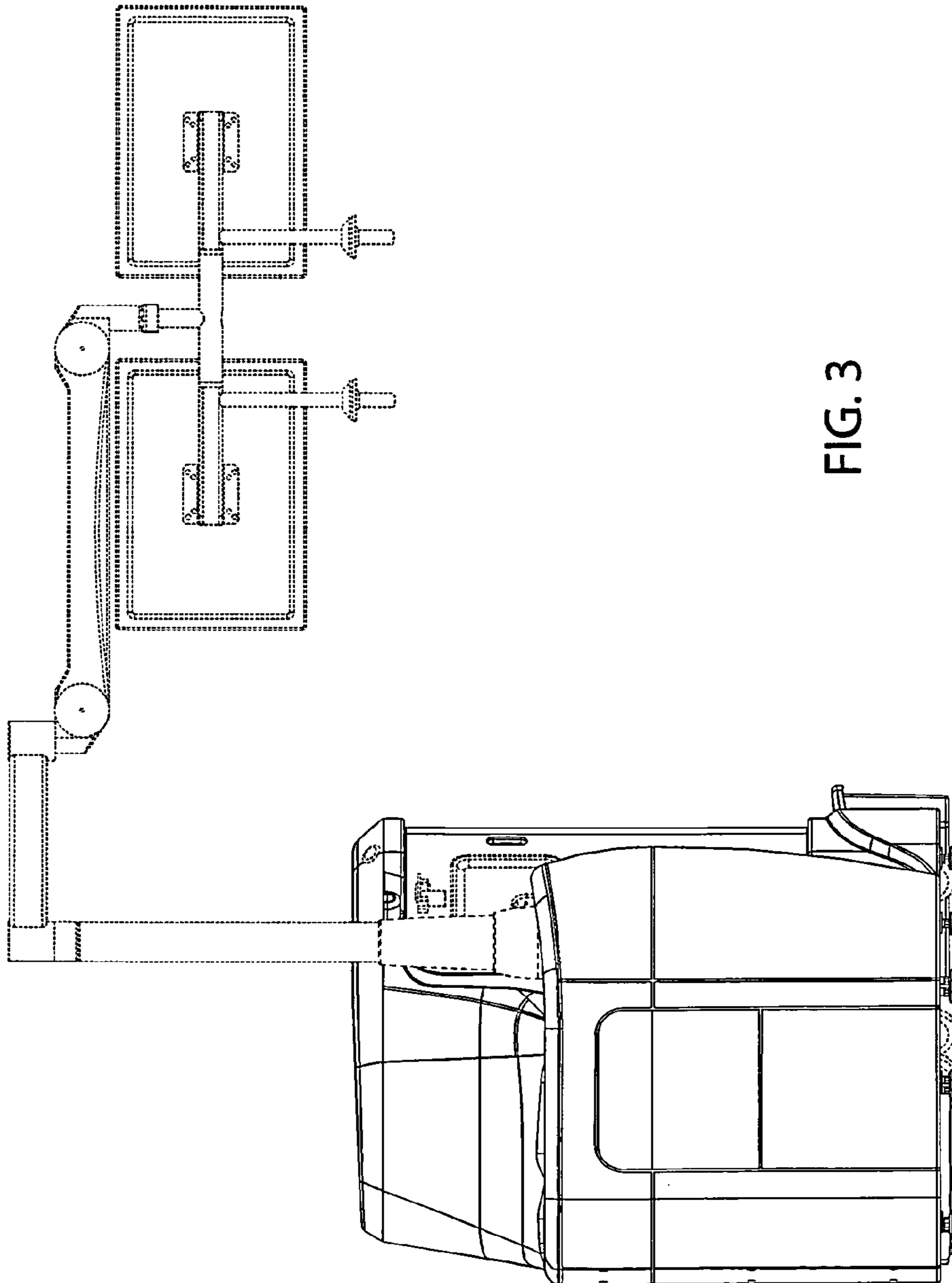


FIG. 3

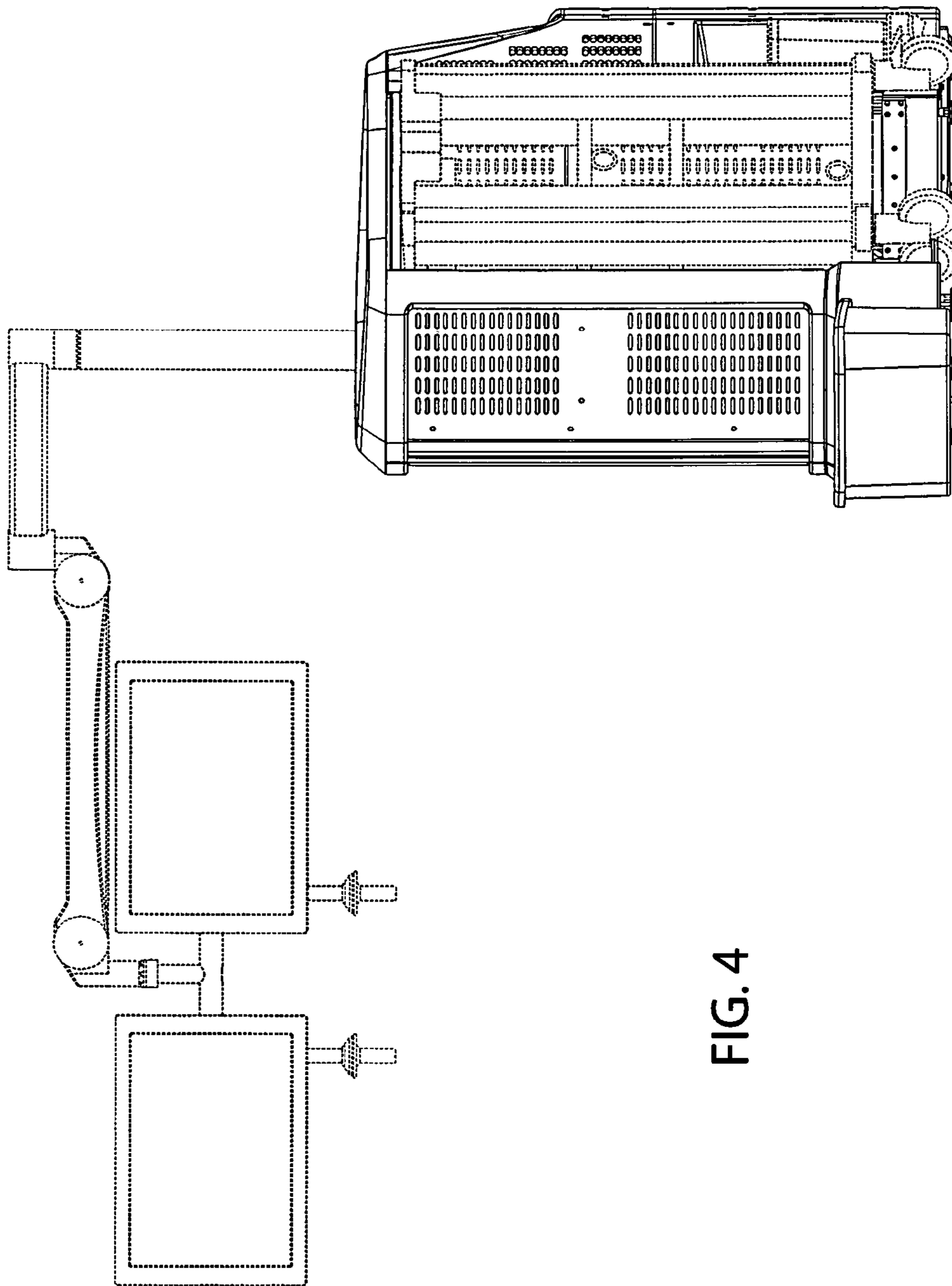


FIG. 4

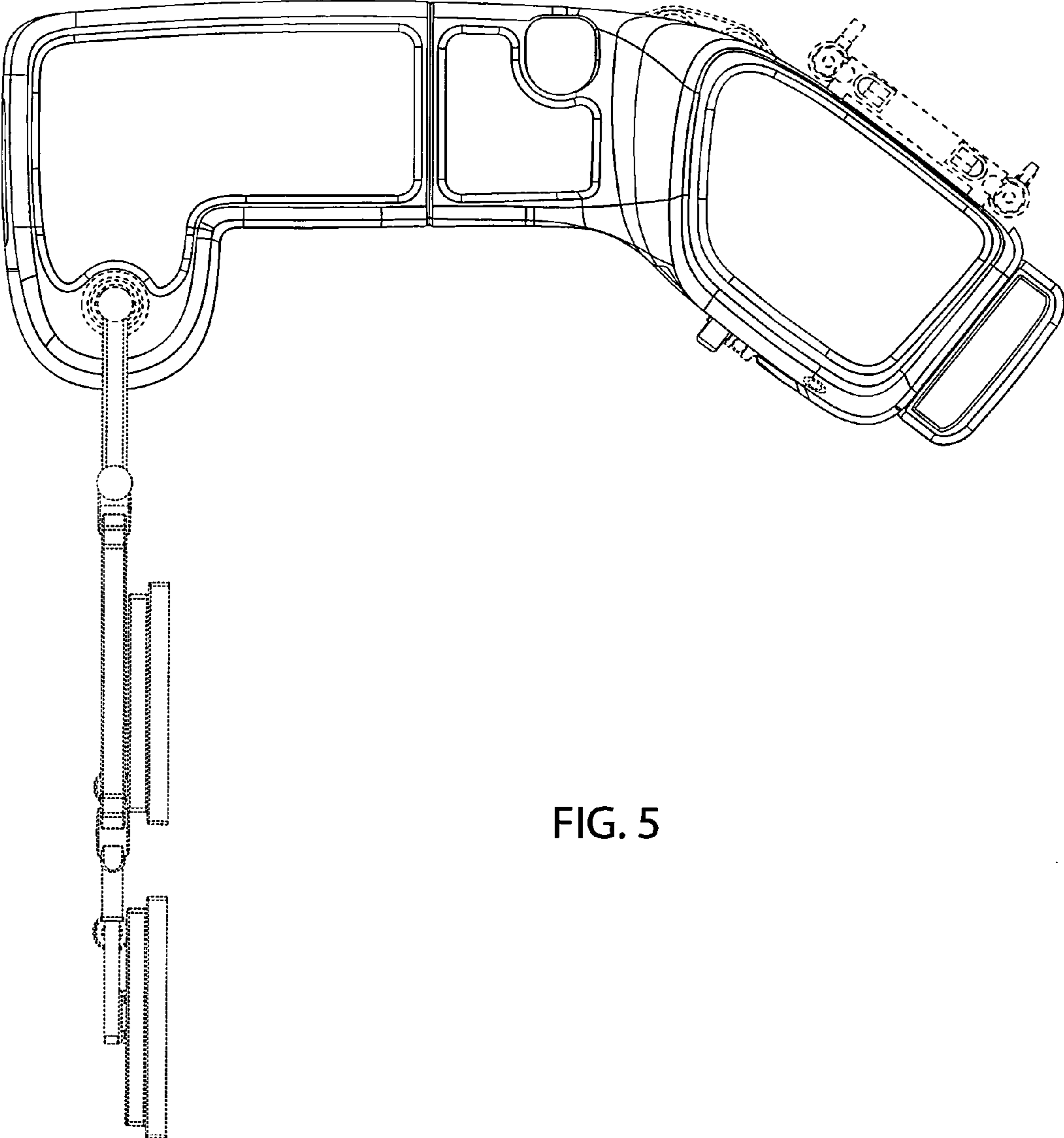


FIG. 5

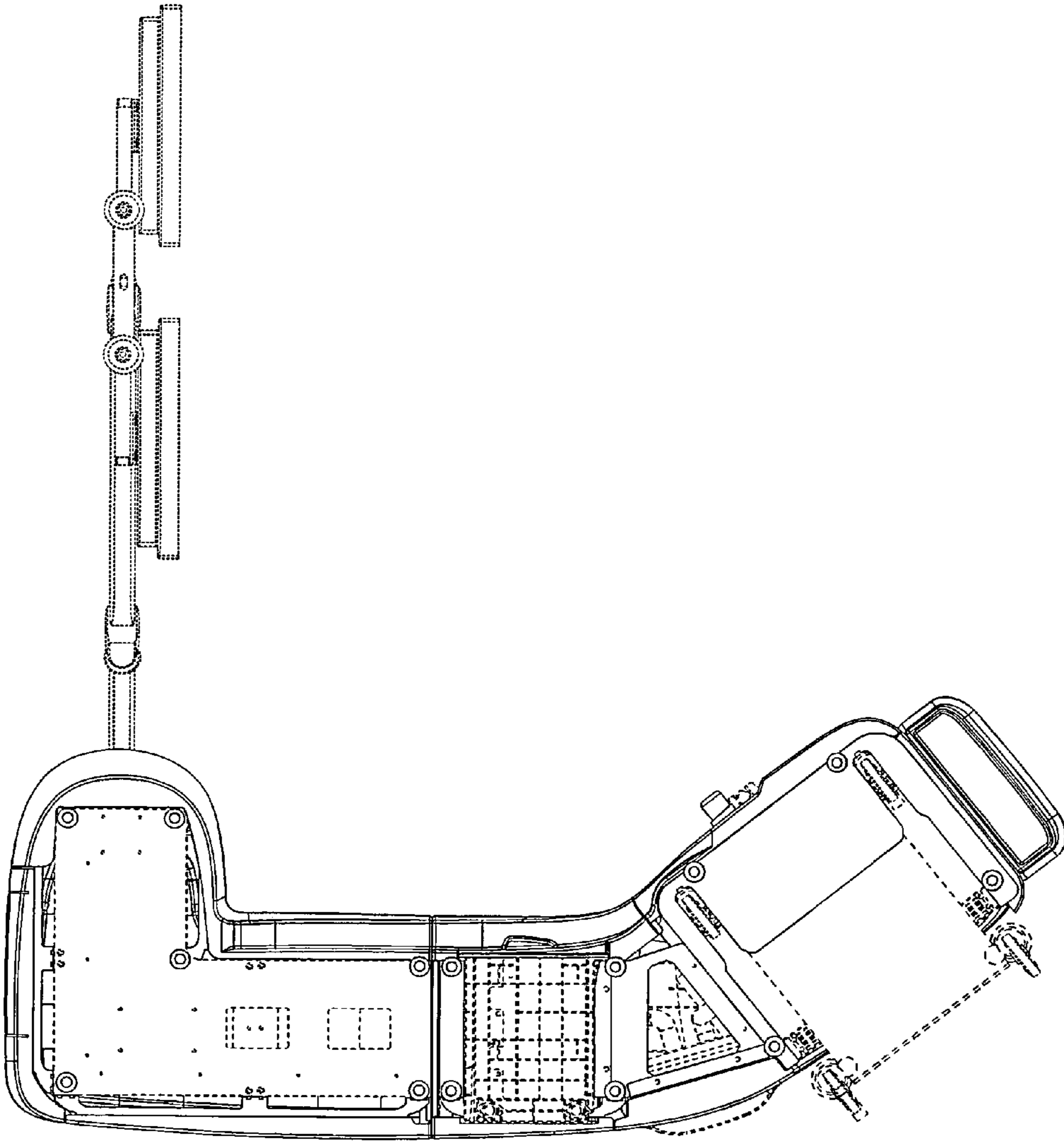


FIG. 6

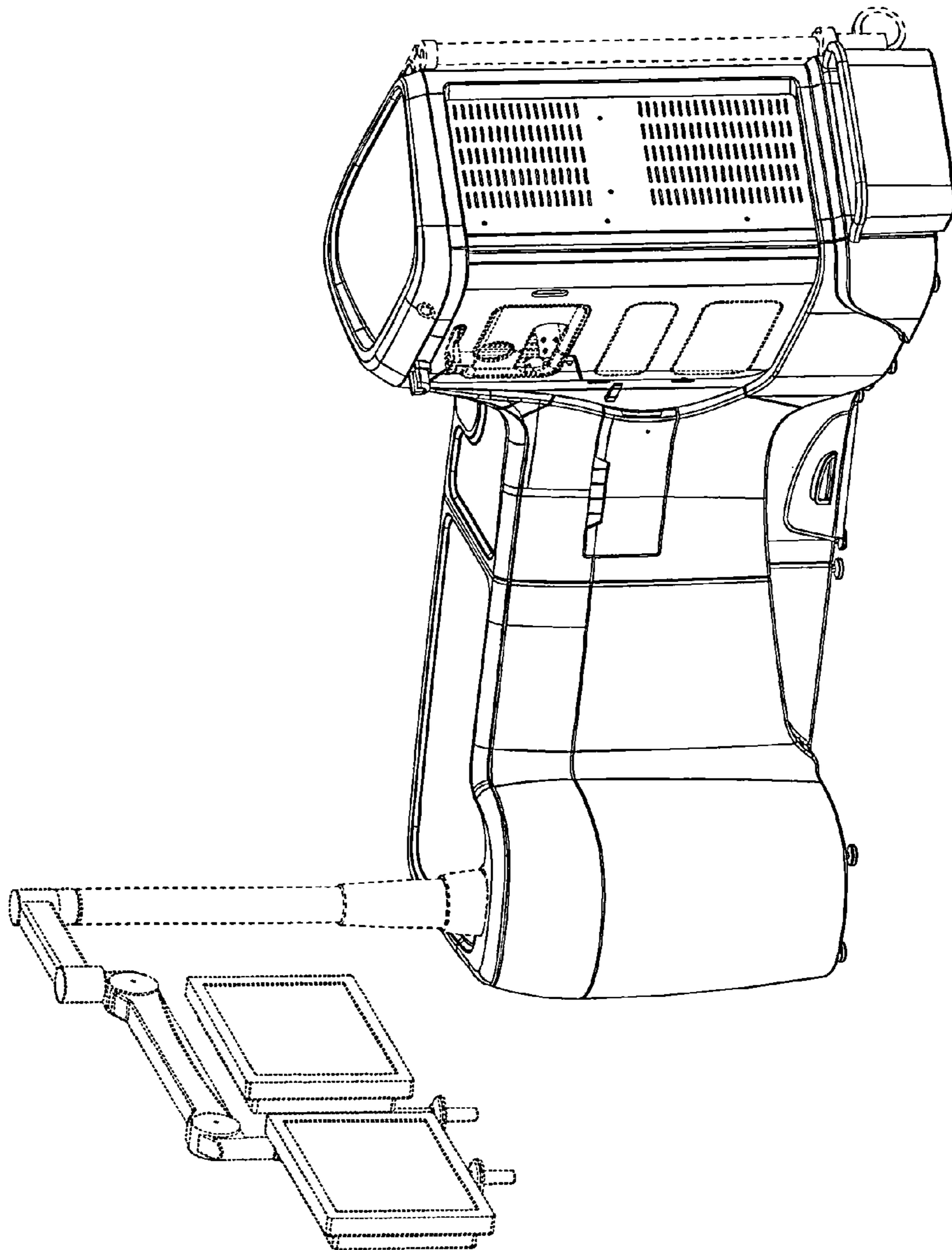


FIG. 7

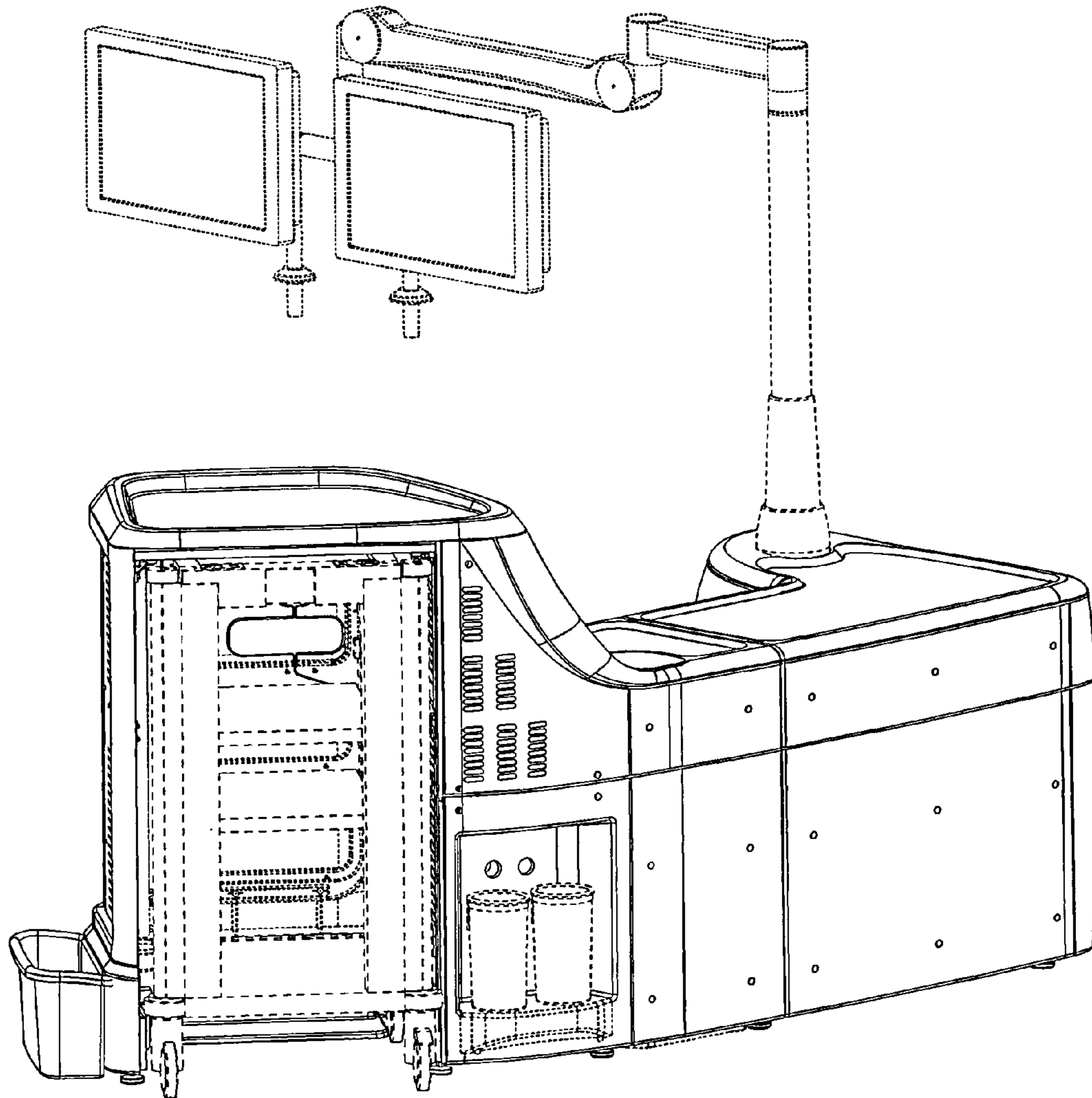


FIG. 8