



US00D713039S

(12) **United States Design Patent**
Hayman et al.

(10) **Patent No.:** **US D713,039 S**

(45) **Date of Patent:** **** *Sep. 9, 2014**

(54) **RECEPTOR HOLDING DEVICE**
(71) Applicant: **Zuma Dental, LLC**, Los Angeles, CA (US)
(72) Inventors: **Robert Hayman**, Los Angeles, CA (US); **Ekram Khan**, League City, TX (US); **Michael Paloian**, Cold Spring Harbor, NY (US); **Anthony Orchard**, Wantagh, NY (US)

5,289,522	A *	2/1994	Kanbar et al.	378/170
D370,732	S *	6/1996	Smith	D24/176
5,652,779	A *	7/1997	Levy et al.	378/170
D406,892	S *	3/1999	Warren	D24/161
6,592,256	B2 *	7/2003	Da Rold et al.	378/168
D537,943	S *	3/2007	Schmulenson	D24/158
7,871,199	B2 *	1/2011	Szommer	378/170
8,016,483	B2 *	9/2011	Steward, Jr.	378/170
8,573,844	B2 *	11/2013	Steward et al.	378/170
2006/0245549	A1 *	11/2006	Calderwood et al.	378/191
2010/0027756	A1 *	2/2010	Hof	378/170
2011/0299663	A1 *	12/2011	Steward, Jr.	378/170

(73) Assignee: **Zuma Dental, LLC**, Los Angeles, CA (US)

* cited by examiner

(*) Notice: This patent is subject to a terminal disclaimer.

Primary Examiner — Anhdao Doan

(74) *Attorney, Agent, or Firm* — Quan & Associates; Nancy N. Quan; Christopher N. Quan

(**) Term: **14 Years**

(57) **CLAIM**

(21) Appl. No.: **29/449,965**

The ornamental design for a receptor holding device, as shown and described.

(22) Filed: **Mar. 15, 2013**

DESCRIPTION

(51) **LOC (10) Cl.** **24-01**

(52) **U.S. Cl.**
USPC **D24/161**

(58) **Field of Classification Search**
USPC D24/158–161, 185, 186, 152, 176, 177;
D8/394, 396; 378/38–40, 169–170,
378/177, 180, 191, 205
See application file for complete search history.

FIG. 1 is a back and side perspective view of receptor holding device embodying our new design;
FIG. 2 is a front and side perspective view thereof;
FIG. 3 is front view thereof;
FIG. 4 is a back view thereof;
FIG. 5 is a top view thereof;
FIG. 6 is a right side view thereof;
FIG. 7 is a bottom view; and,
FIG. 8 is a left side view thereof.

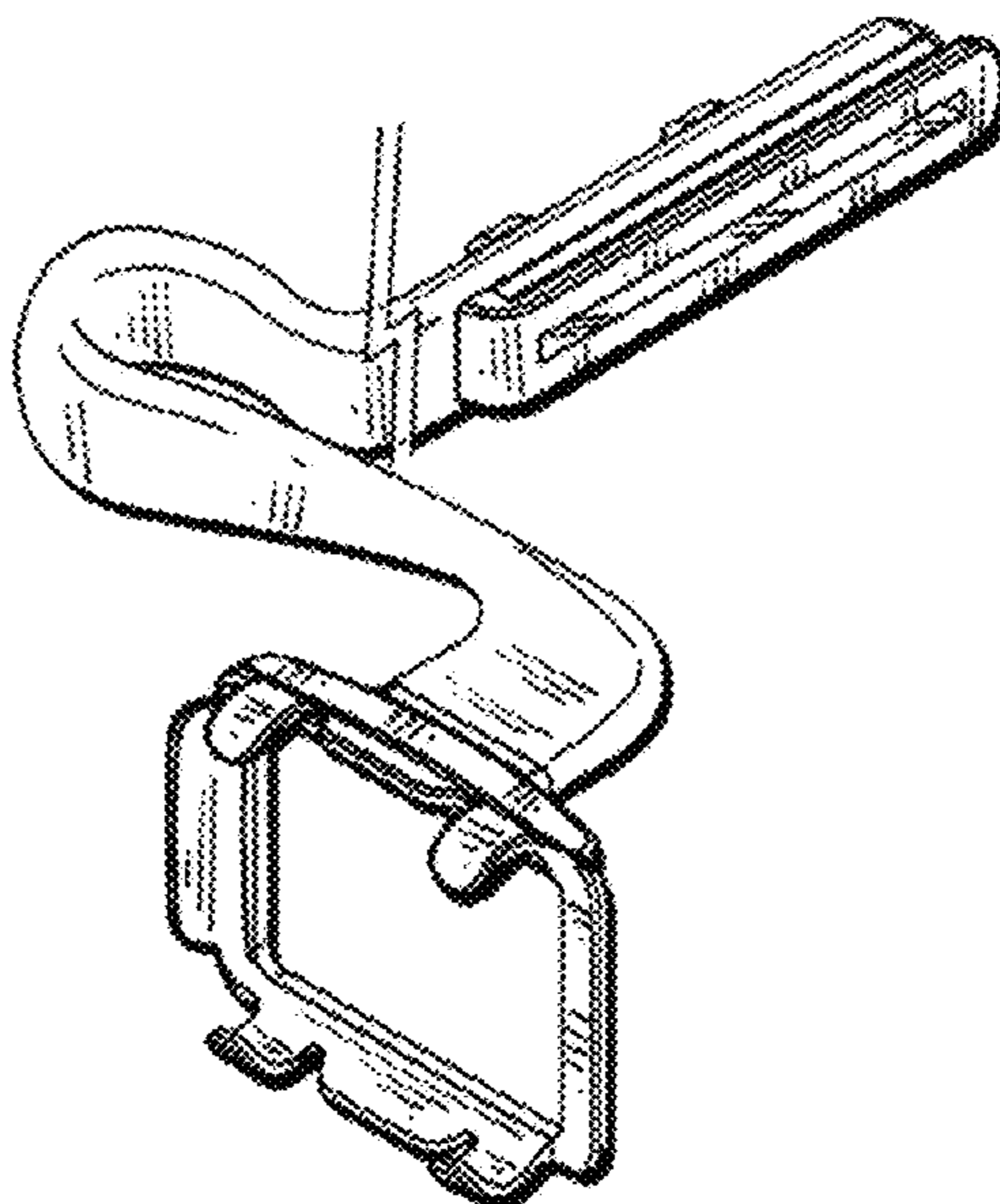
(56) **References Cited**

U.S. PATENT DOCUMENTS

D246,798	S *	12/1977	Jermyn	D24/161
4,484,342	A *	11/1984	Allison et al.	378/168
D283,157	S *	3/1986	Maldonado et al.	D24/161

The break lines in the drawing views indicate that a specific length of the receptor holding device forms no part of the claimed design.

1 Claim, 2 Drawing Sheets



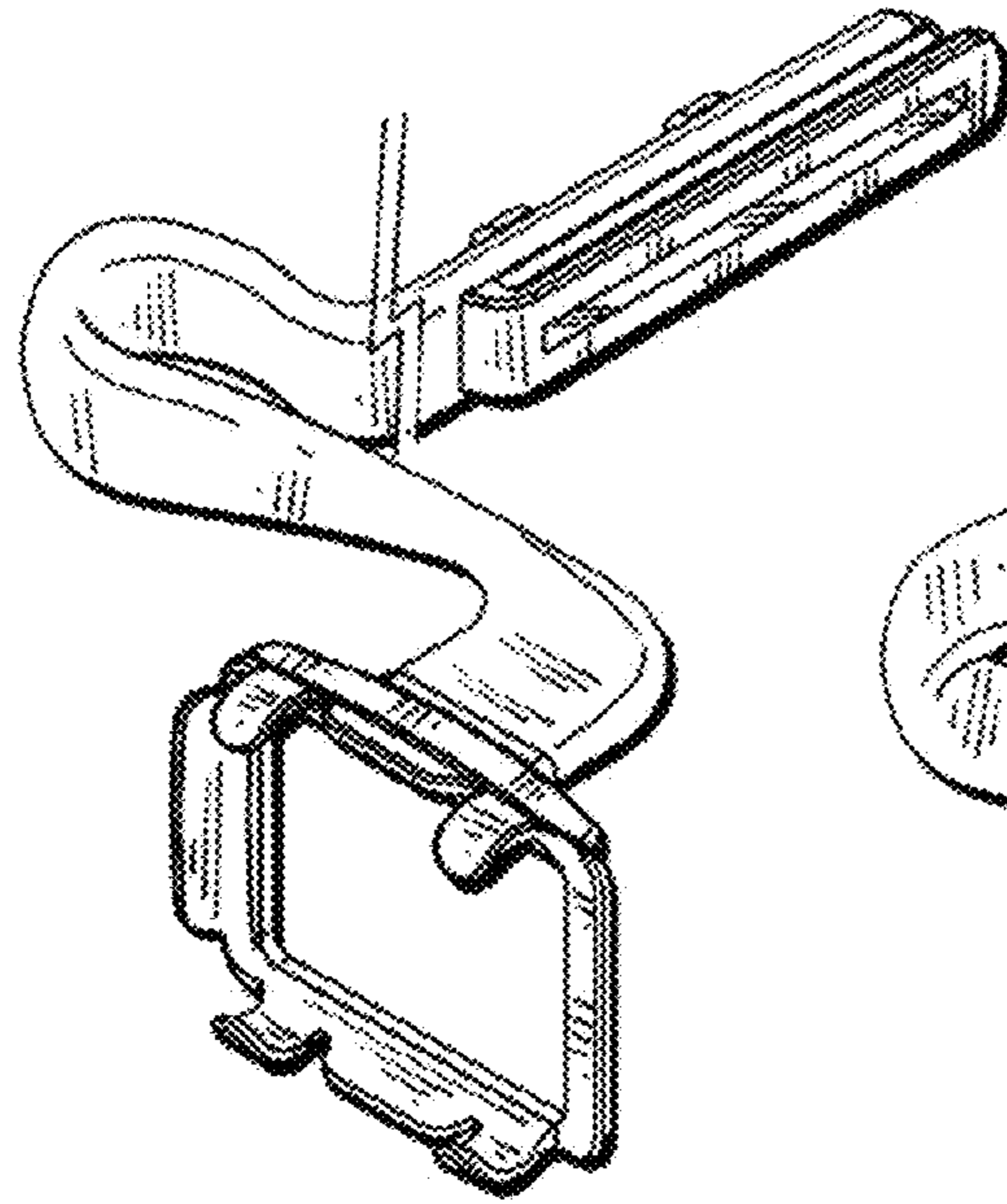


Fig. 1

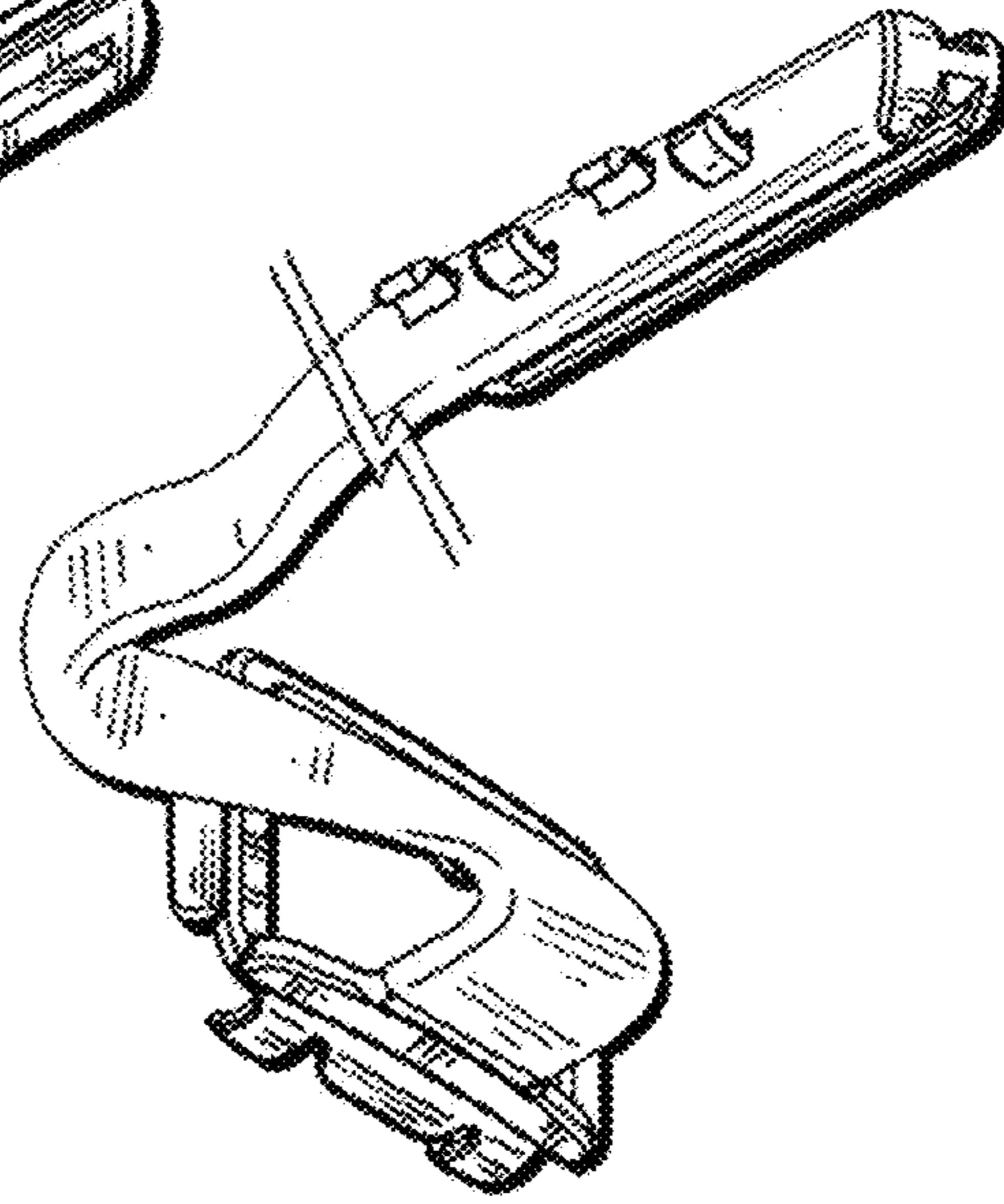


Fig. 2

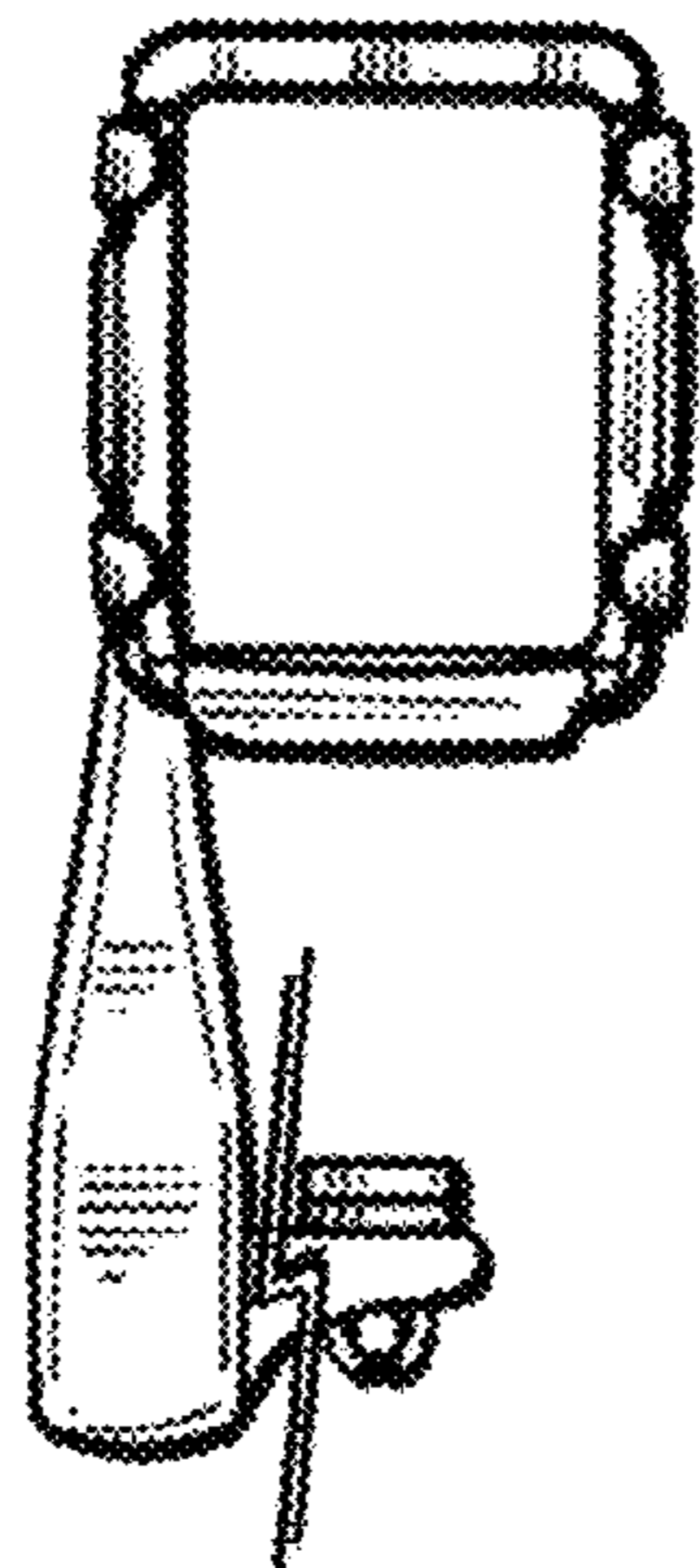


Fig. 3

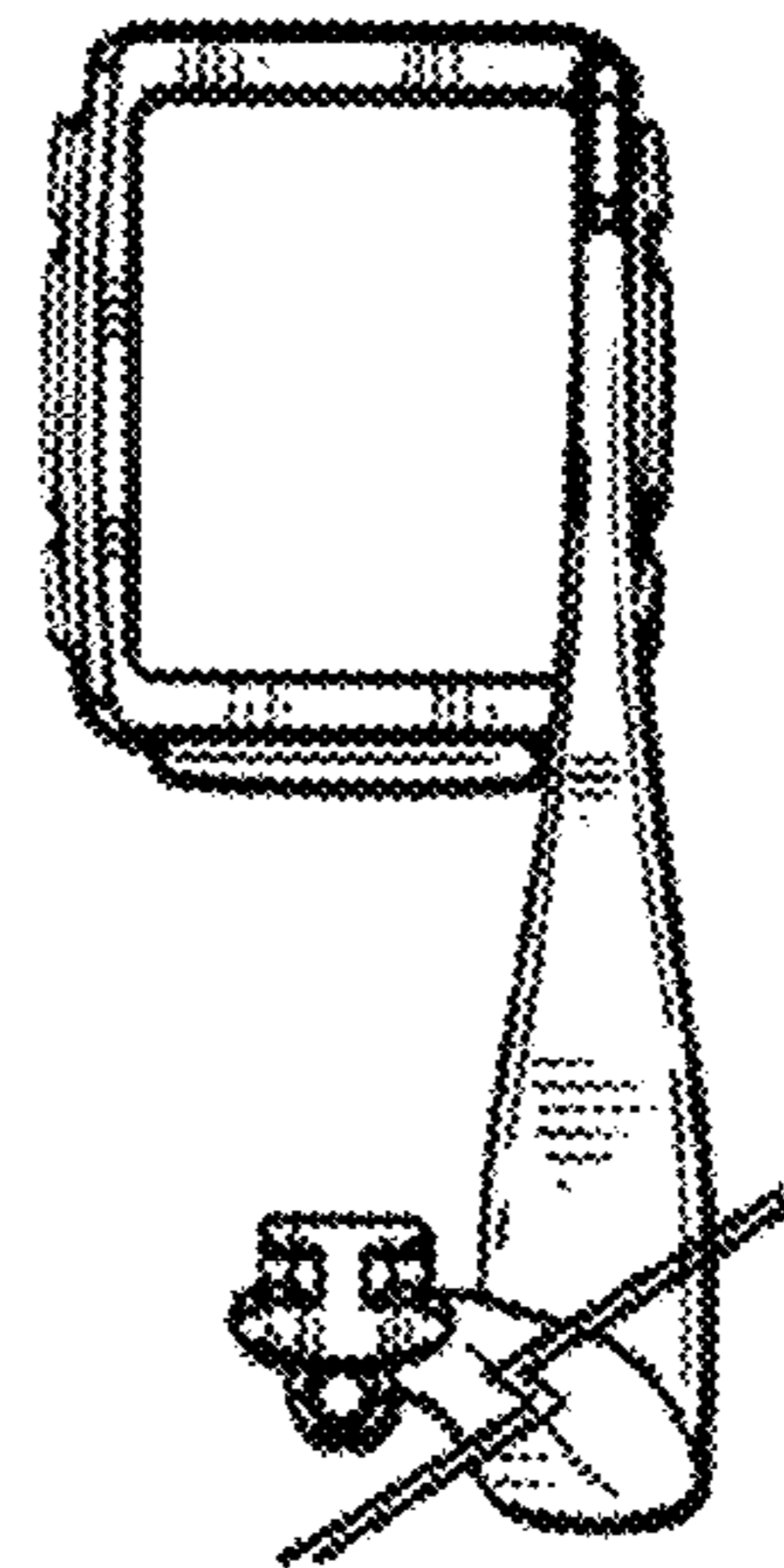


Fig. 4

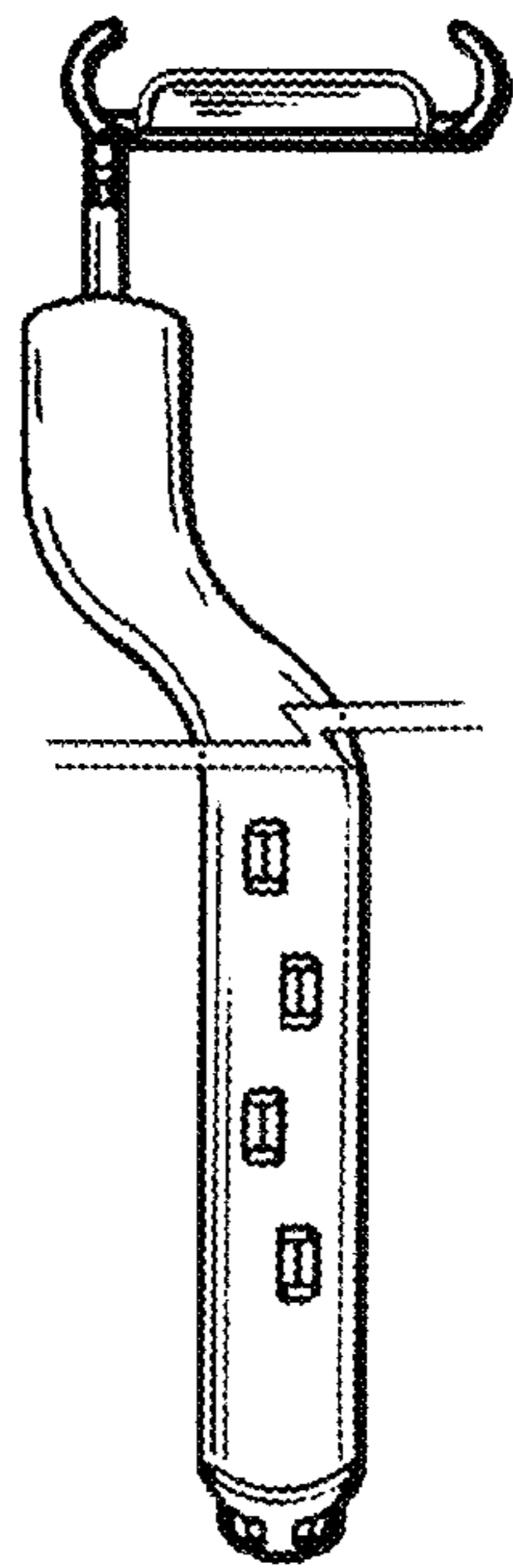


Fig. 5

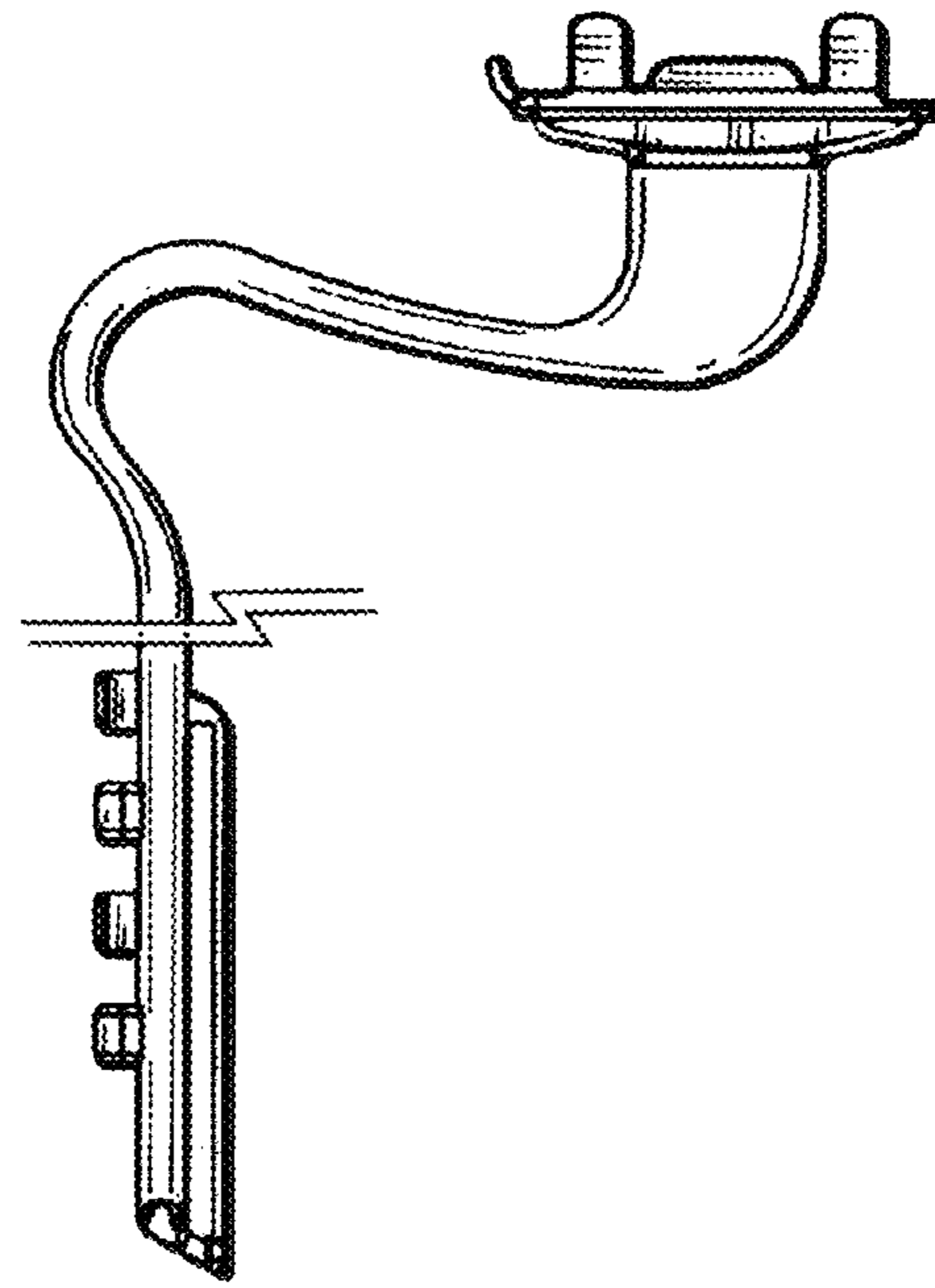


Fig. 6

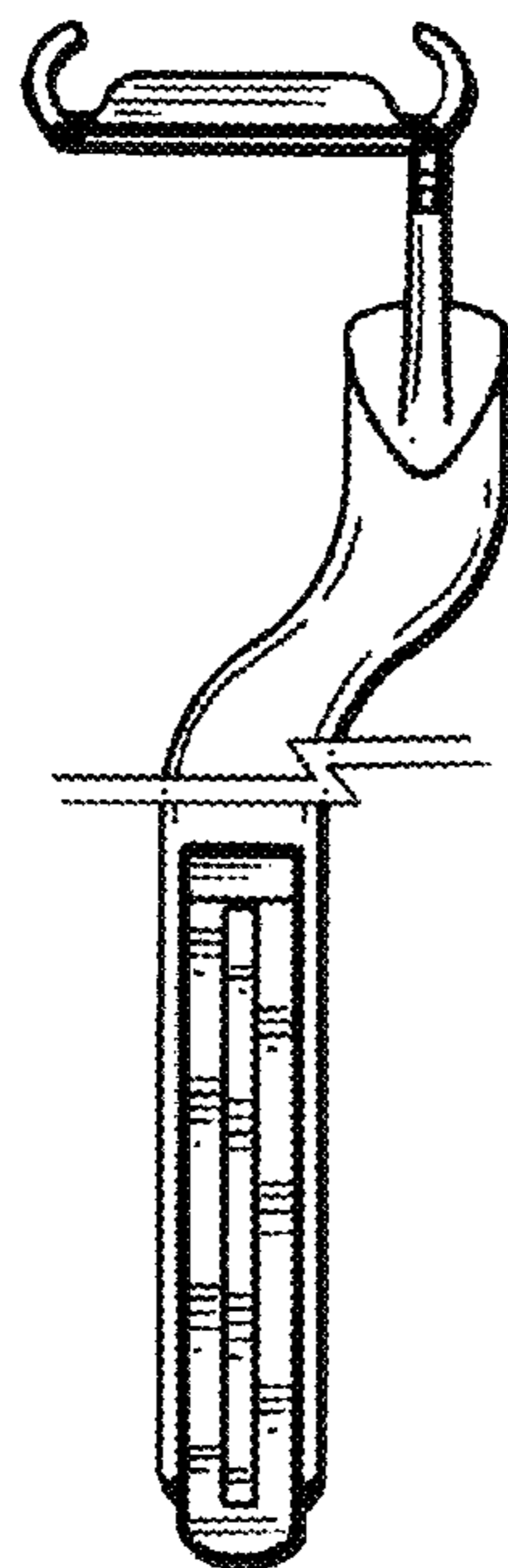


Fig. 7

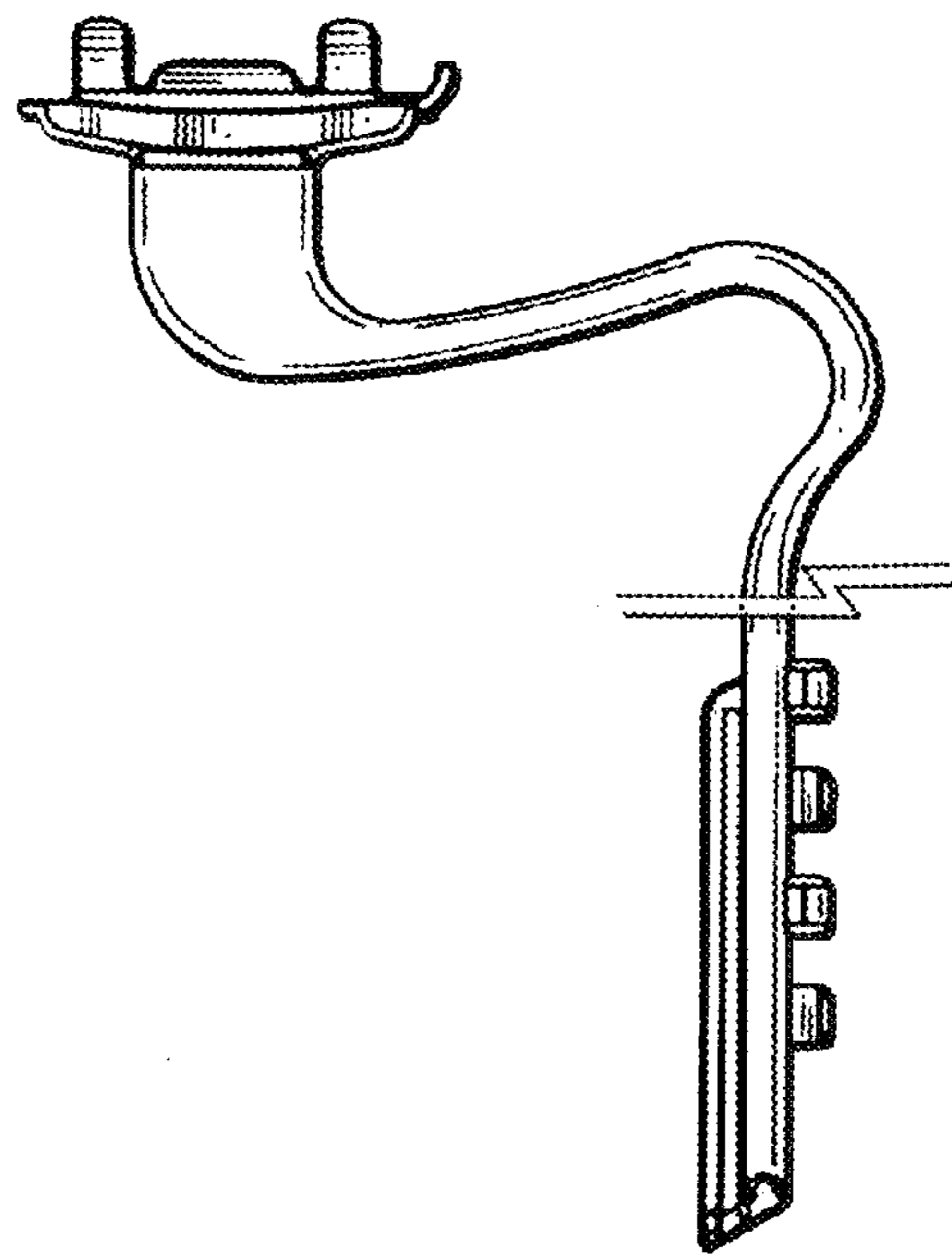


Fig. 8