



US00D713038S

(12) **United States Design Patent**
Sul

(10) **Patent No.:** **US D713,038 S**

(45) **Date of Patent:** **** Sep. 9, 2014**

(54) **SUPPORT FOR MEDICAL DEVICE**

(71) Applicant: **Samsung Electronics Co., Ltd.**,
Suwon-si (KR)

(72) Inventor: **Sung-Woo Sul**, Yongin (KR)

(73) Assignee: **Samsung Electronics Co., Ltd.** (KR)

(**) Term: **14 Years**

(21) Appl. No.: **29/468,807**

(22) Filed: **Oct. 3, 2013**

(30) **Foreign Application Priority Data**

May 24, 2013 (KR) 30-2013-0027196

(51) **LOC (10) Cl.** **24-01**

(52) **U.S. Cl.**
USPC **D24/158**

(58) **Field of Classification Search**
USPC D24/158-161, 185, 186; 378/4, 21-27,
378/38, 40, 102, 196-198; 248/125.1, 127,
248/158
See application file for complete search history.

(56) **References Cited**

U.S. PATENT DOCUMENTS

D323,892 S * 2/1992 Spoljaric D24/158
D487,805 S * 3/2004 Kondo D24/158
D559,390 S * 1/2008 Diener et al. D24/186
7,469,032 B2 * 12/2008 Walker et al. 378/38
D604,415 S * 11/2009 Otsuka et al. D24/158
D617,906 S * 6/2010 Nakahara et al. D24/158

7,949,094 B2 * 5/2011 Ahn 378/197
D671,217 S * 11/2012 Moon et al. D24/158
D683,021 S * 5/2013 Moon et al. D24/158
D691,723 S * 10/2013 Patil et al. D24/158
D697,620 S * 1/2014 Chung et al. D24/158
2008/0279331 A1 * 11/2008 Huang 378/68
2012/0207281 A1 * 8/2012 Kim 378/194

* cited by examiner

Primary Examiner — Anhdao Doan

(74) *Attorney, Agent, or Firm* — Cantor Colburn LLP

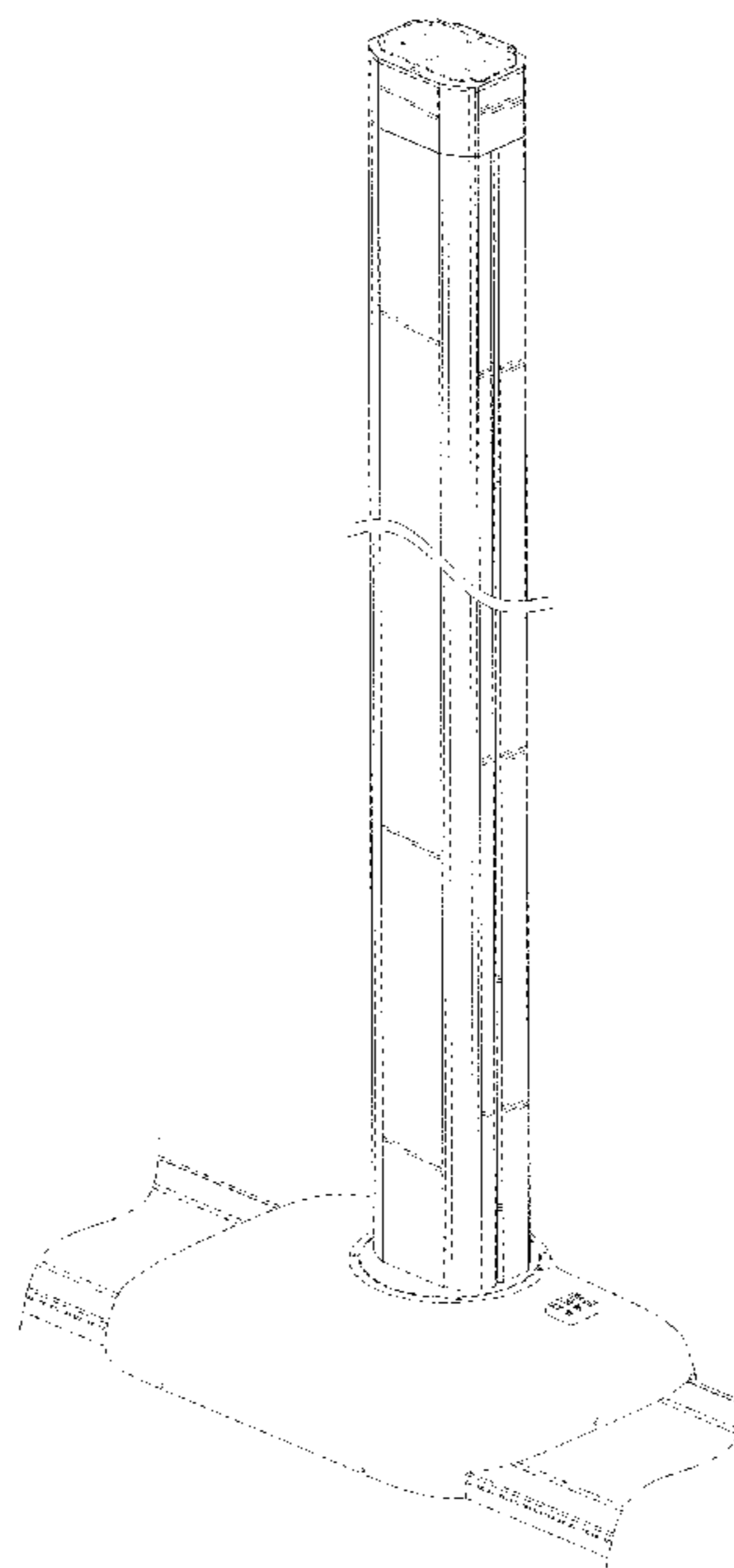
(57) **CLAIM**

The ornamental design for a support for medical device, as shown and described.

DESCRIPTION

FIG. 1 is a top front perspective view of a support for medical device showing my new design;
FIG. 2 is a front view thereof;
FIG. 3 is a rear view thereof;
FIG. 4 is a left side view thereof;
FIG. 5 is a right side view thereof;
FIG. 6 is a top view thereof;
FIG. 7 is a bottom view thereof; and,
FIG. 8 is another top front perspective view thereof, showing the support for medical device in an X-ray environment.
The broken lines illustrating portions of the support for medical device are for environmental purposes only and form no part of the claimed design.
In addition, the dash-dot lines defining a break in the support for medical device show indefinite height or length of the support for medical device.

1 Claim, 6 Drawing Sheets



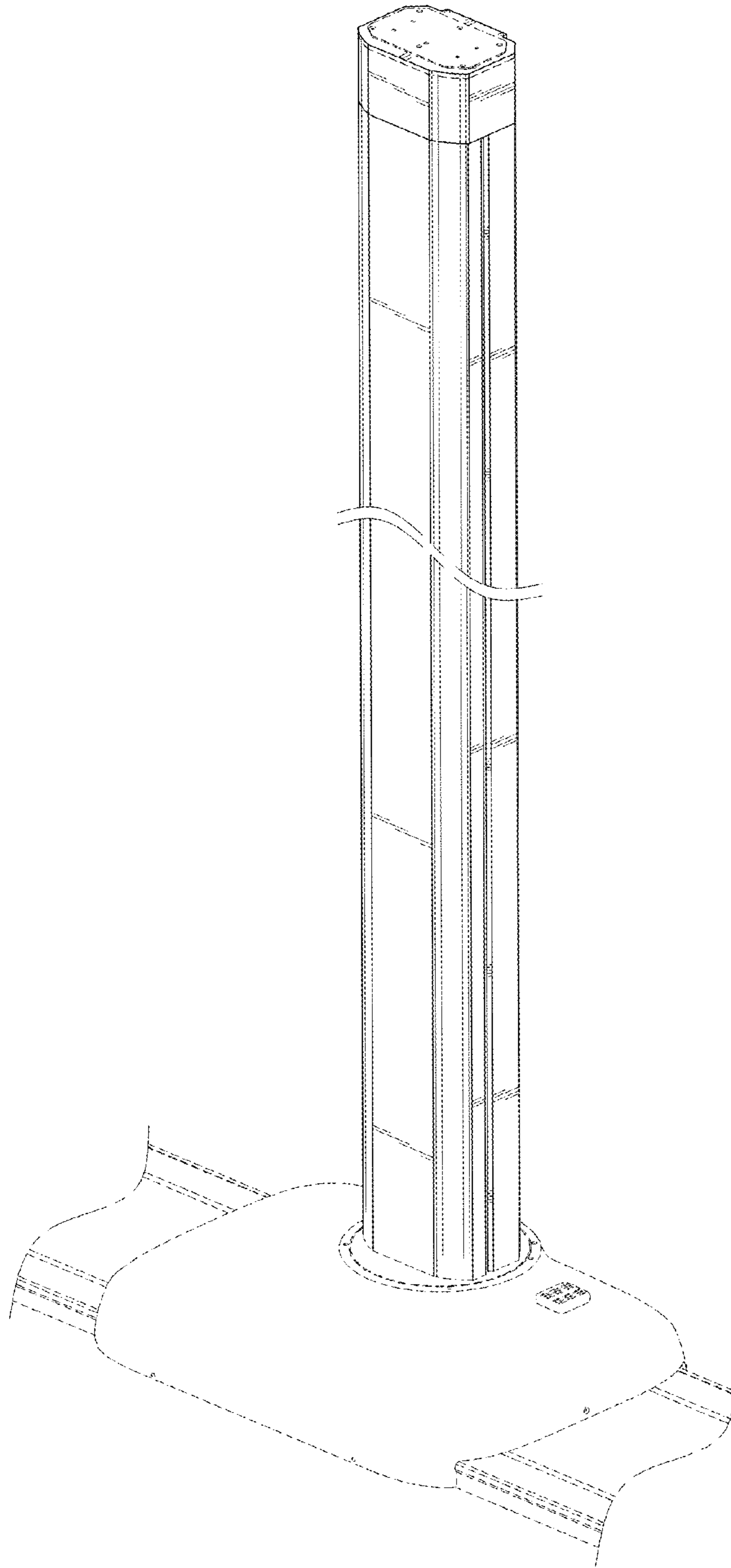


FIG.1

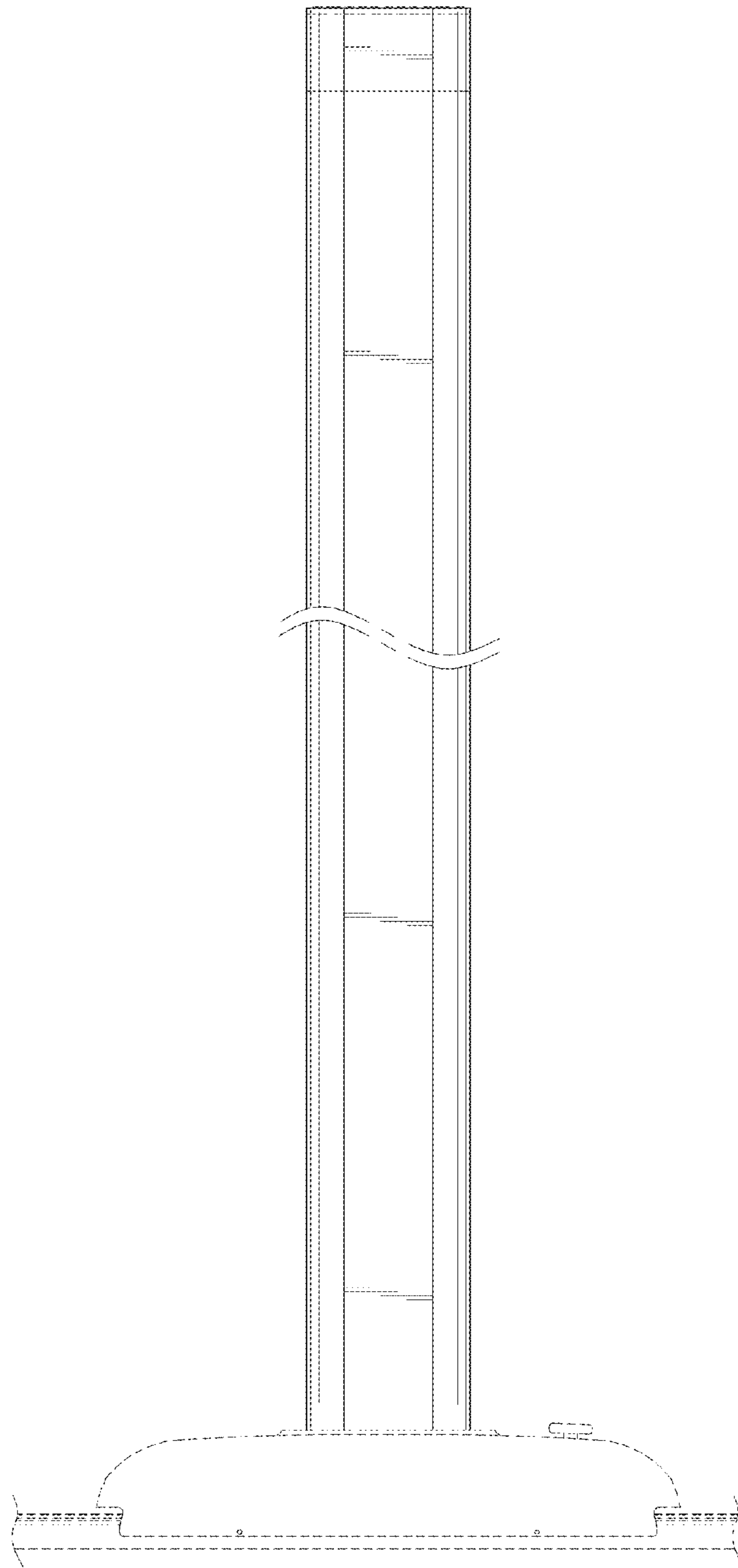


FIG.2

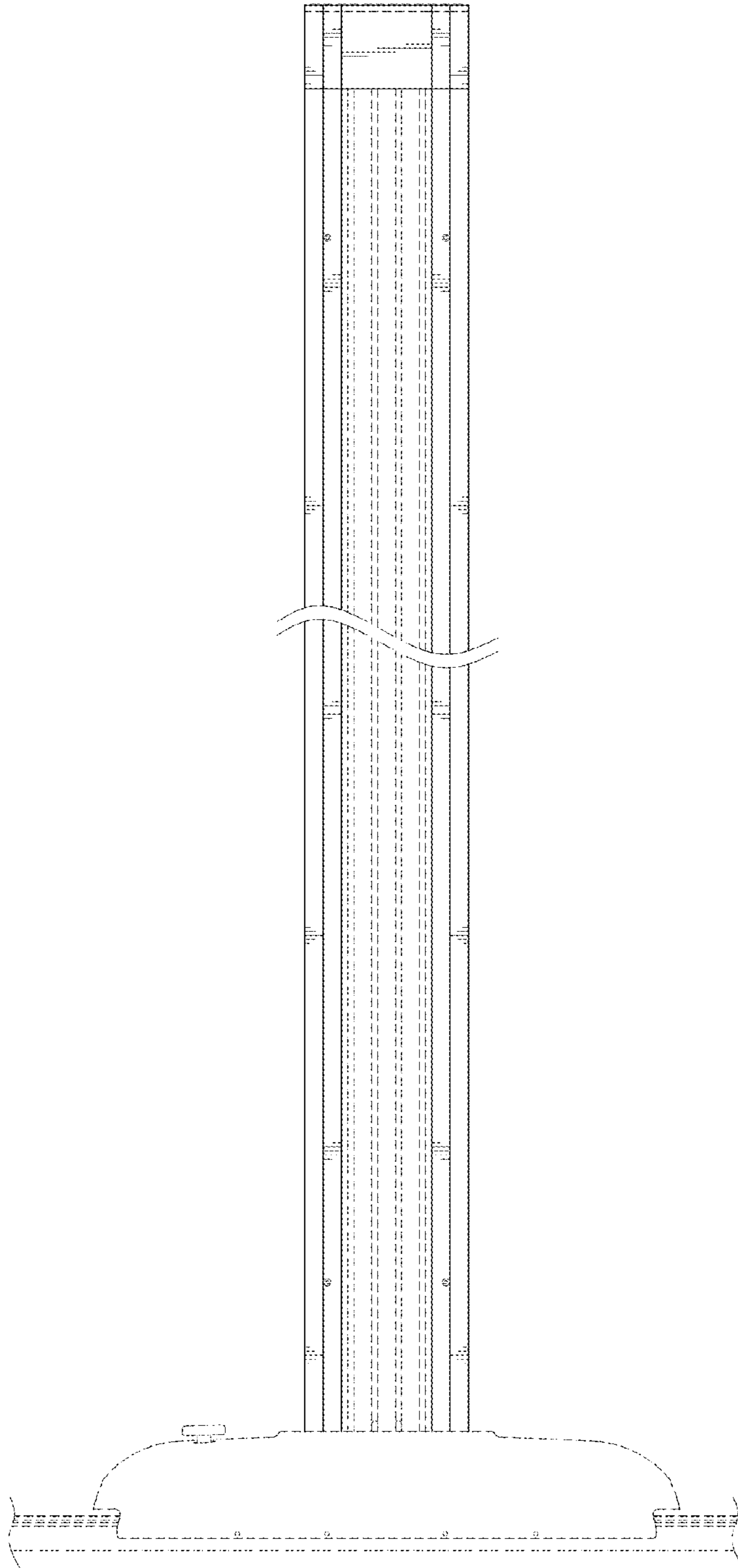


FIG.3

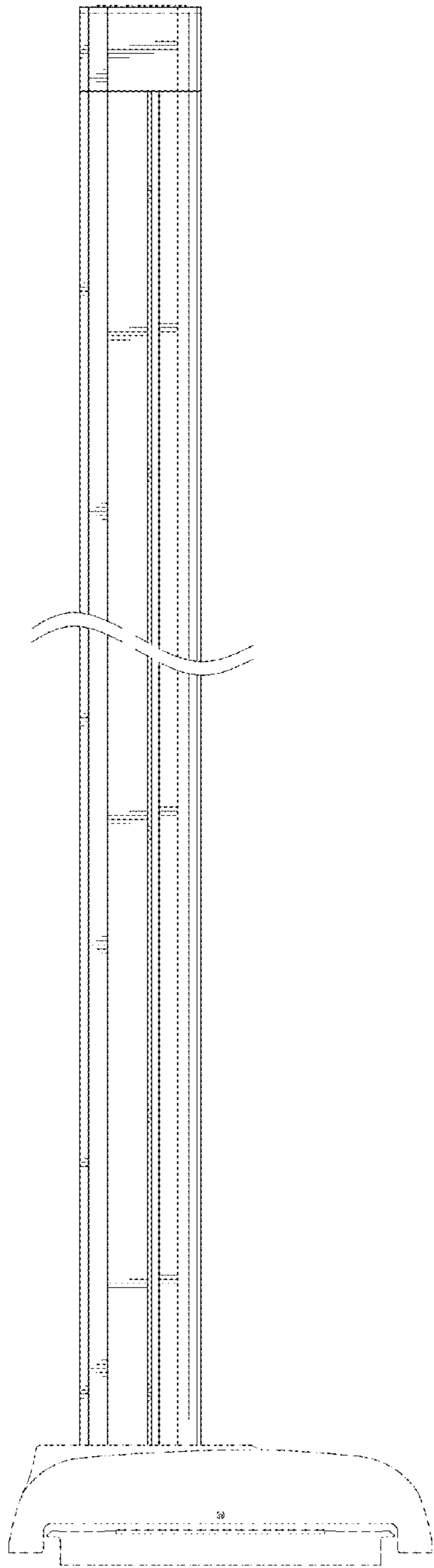


FIG. 4

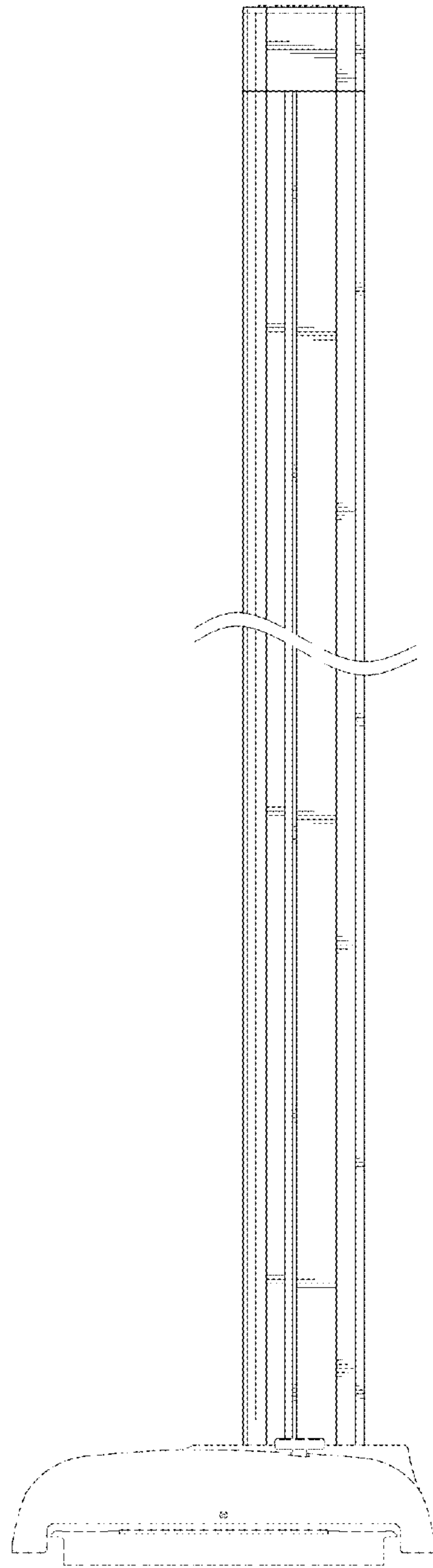


FIG. 5

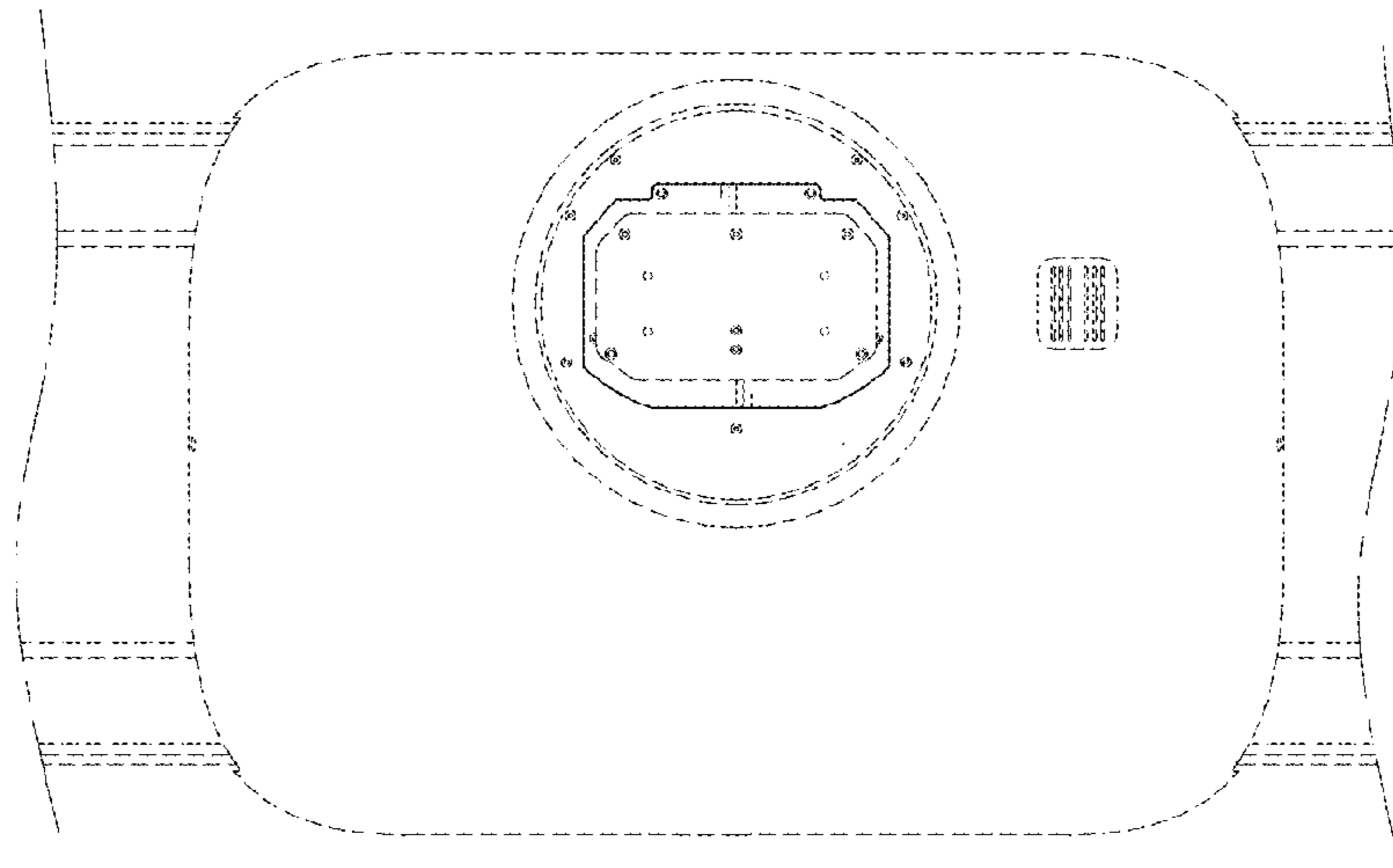


FIG.6

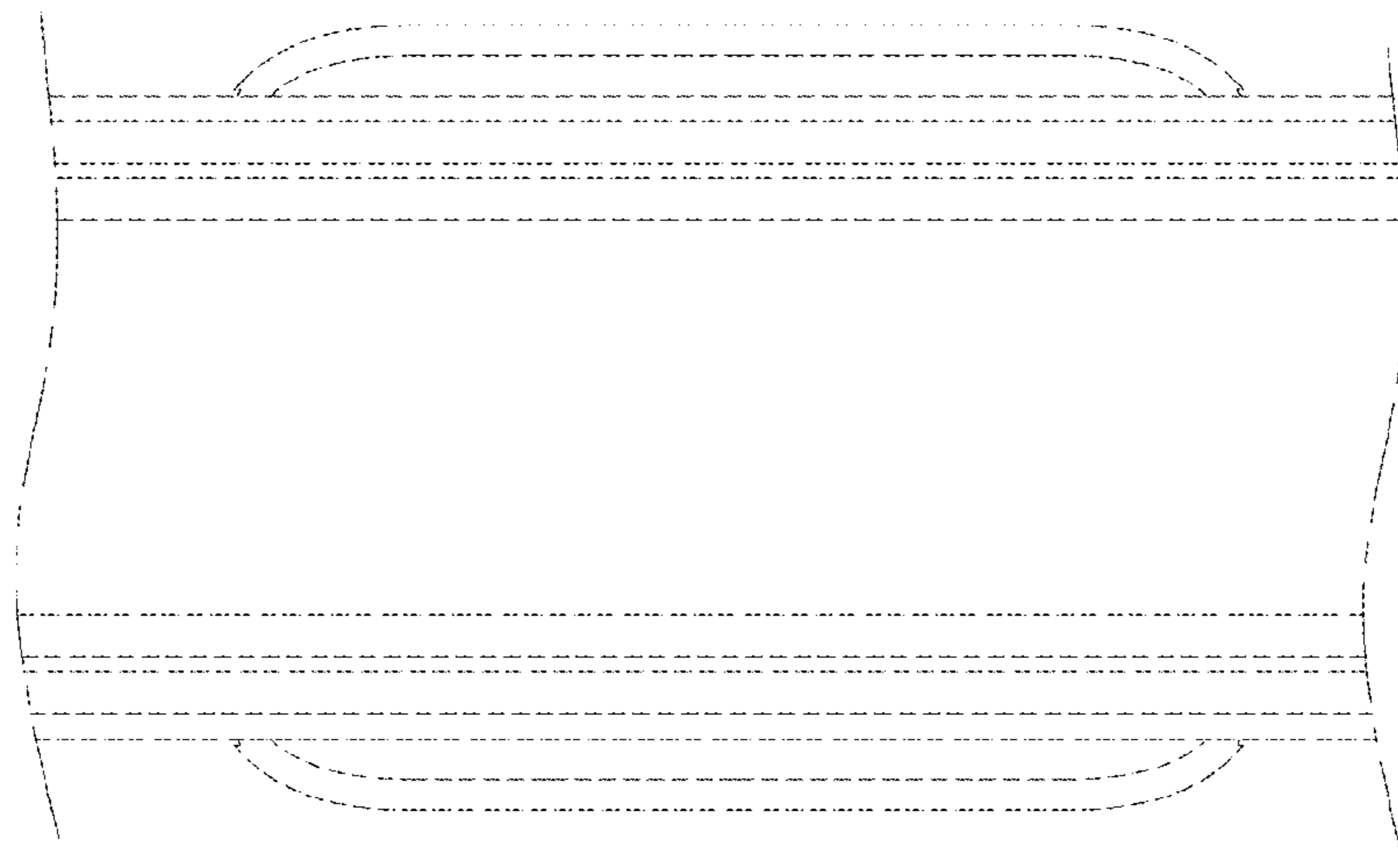


FIG.7

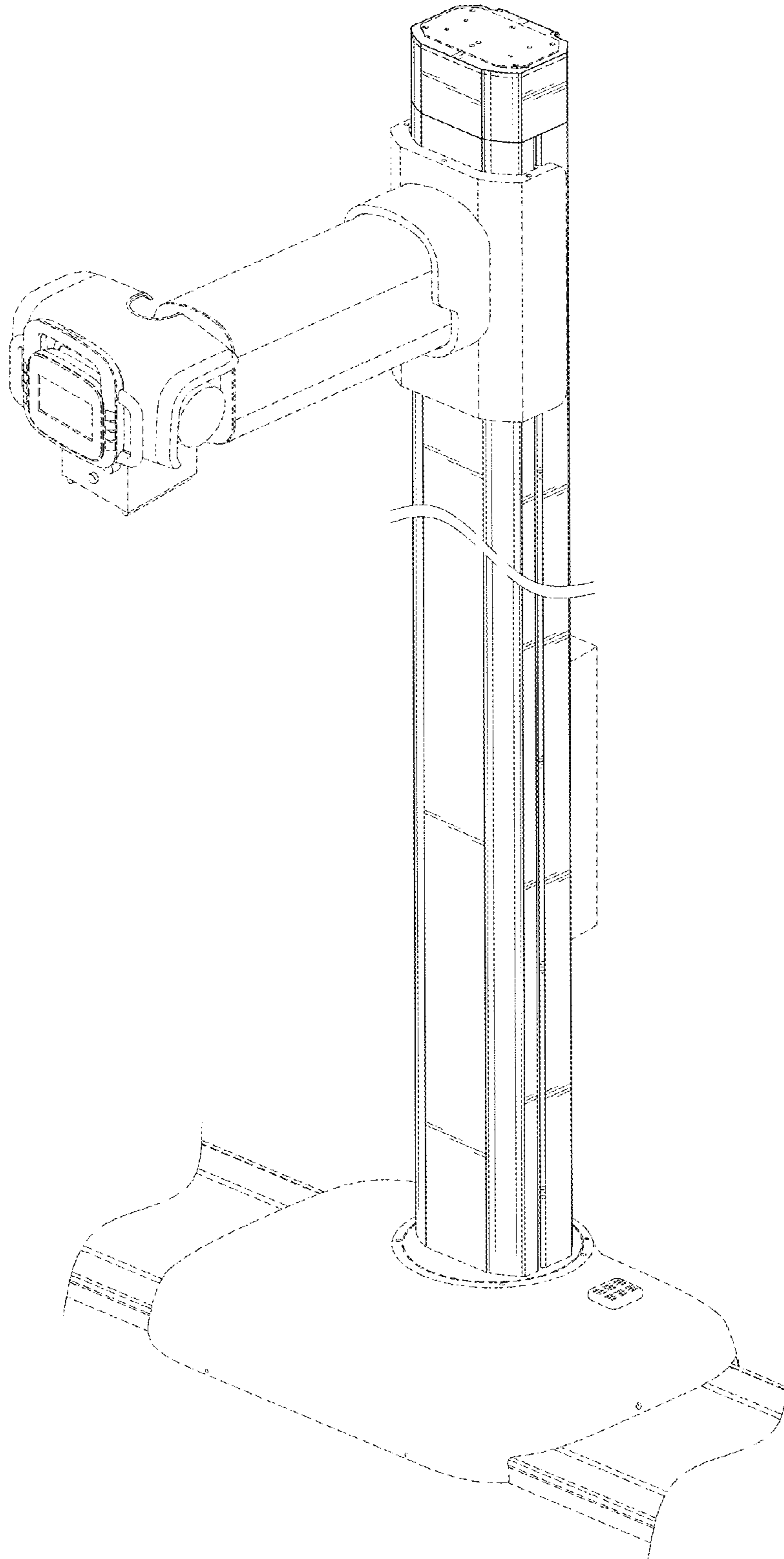


FIG. 8