



US00D713036S

(12) **United States Design Patent**  
**Sul**

(10) **Patent No.:** **US D713,036 S**  
(45) **Date of Patent:** **\*\* Sep. 9, 2014**

(54) **X-RAY DEVICE**

(71) Applicant: **Samsung Electronics Co., Ltd.**,  
Suwon-si (KR)

(72) Inventor: **Sung-Woo Sul**, Yongin (KR)

(73) Assignee: **Samsung Electronics Co., Ltd.** (KR)

(\*\*) Term: **14 Years**

(21) Appl. No.: **29/468,795**

(22) Filed: **Oct. 3, 2013**

(30) **Foreign Application Priority Data**

May 24, 2013 (KR) ..... 30-2013-0027185

(51) **LOC (10) Cl.** ..... **24-01**

(52) **U.S. Cl.**  
USPC ..... **D24/158**

(58) **Field of Classification Search**  
CPC ..... A61B 6/4411; A61B 6/4405  
USPC ..... D24/158-161, 185, 186; 378/4, 21-27,  
378/38, 40, 102, 196-198  
See application file for complete search history.

(56) **References Cited**

**U.S. PATENT DOCUMENTS**

D448,849 S \* 10/2001 Laupper ..... D24/158  
D554,755 S \* 11/2007 Iwasaki et al. .... D24/158

D566,283 S \* 4/2008 Brafford et al. .... D24/186  
D617,906 S \* 6/2010 Nakahara et al. .... D24/158  
7,949,094 B2 \* 5/2011 Ahn ..... 378/197  
D683,021 S \* 5/2013 Moon et al. .... D24/158  
2008/0279331 A1 \* 11/2008 Huang ..... 378/68  
2011/0317816 A1 \* 12/2011 Bechard et al. .... 378/98.8  
2013/0136240 A1 \* 5/2013 Causape Rodriguez  
et al. .... 378/198

\* cited by examiner

*Primary Examiner* — Anhdao Doan

(74) *Attorney, Agent, or Firm* — Cantor Colburn LLP

(57) **CLAIM**

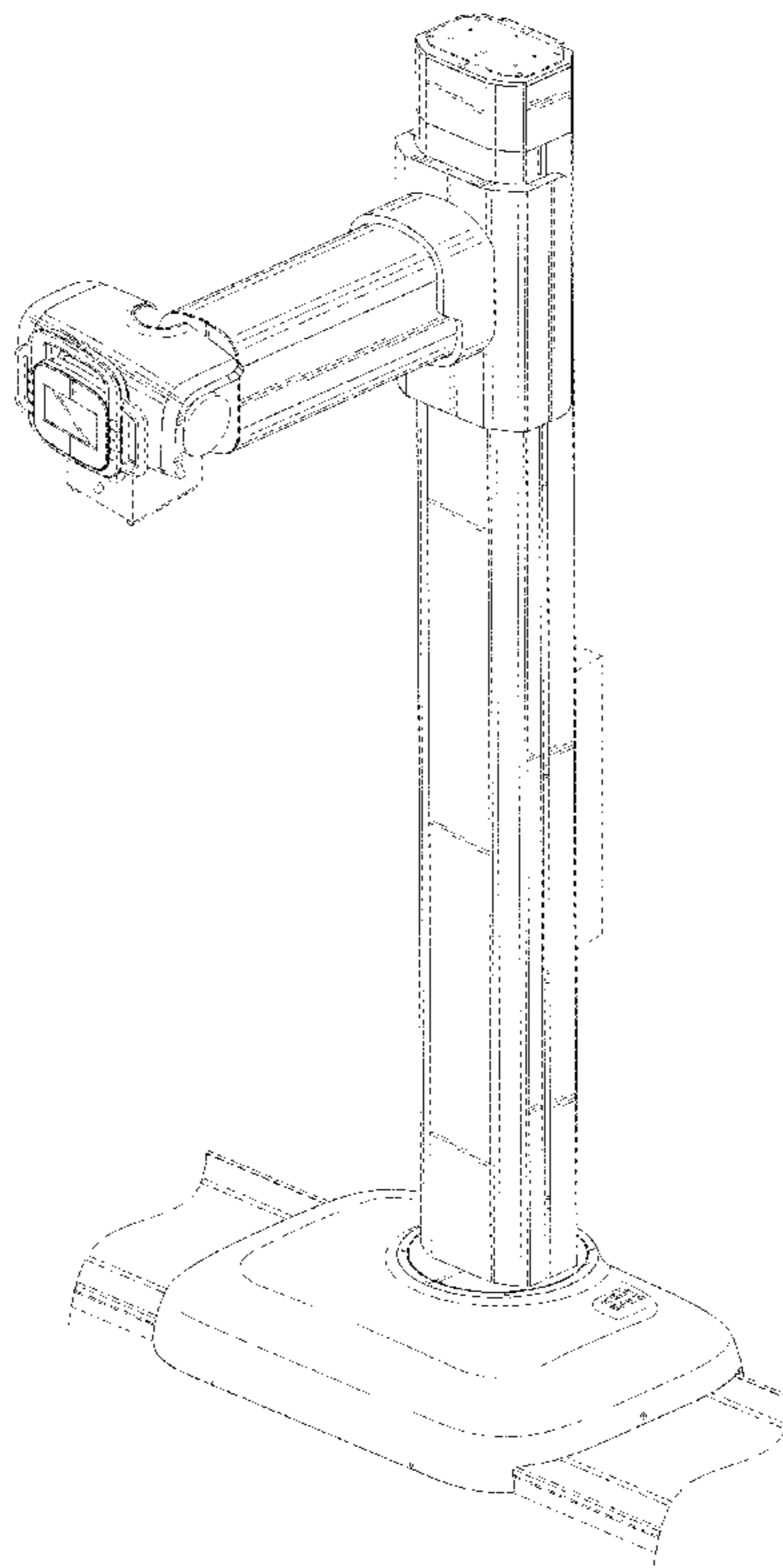
The ornamental design for an X-ray device, as shown and described.

**DESCRIPTION**

FIG. 1 is a top front perspective view of an X-ray device showing my new design;  
FIG. 2 is a front view thereof;  
FIG. 3 is a rear view thereof;  
FIG. 4 is a left side view thereof;  
FIG. 5 is a right side view thereof;  
FIG. 6 is a top view thereof;  
FIG. 7 is a bottom view thereof; and,  
FIG. 8 is another front view thereof, showing the X-ray device in another configuration.

The broken lines illustrating portions of the X-ray device are for environmental purposes only and form no part of the claimed design.

**1 Claim, 8 Drawing Sheets**



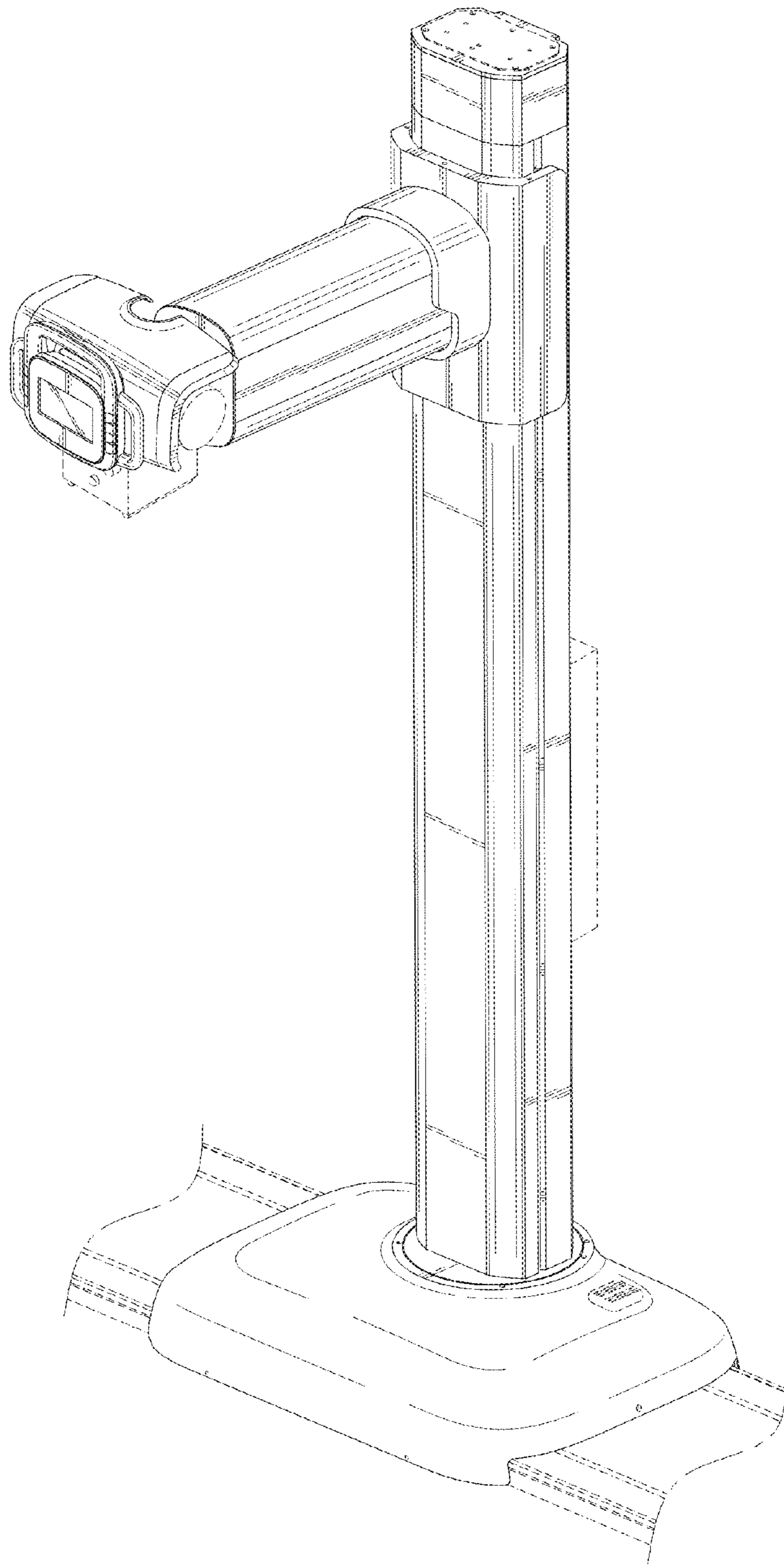


FIG.1

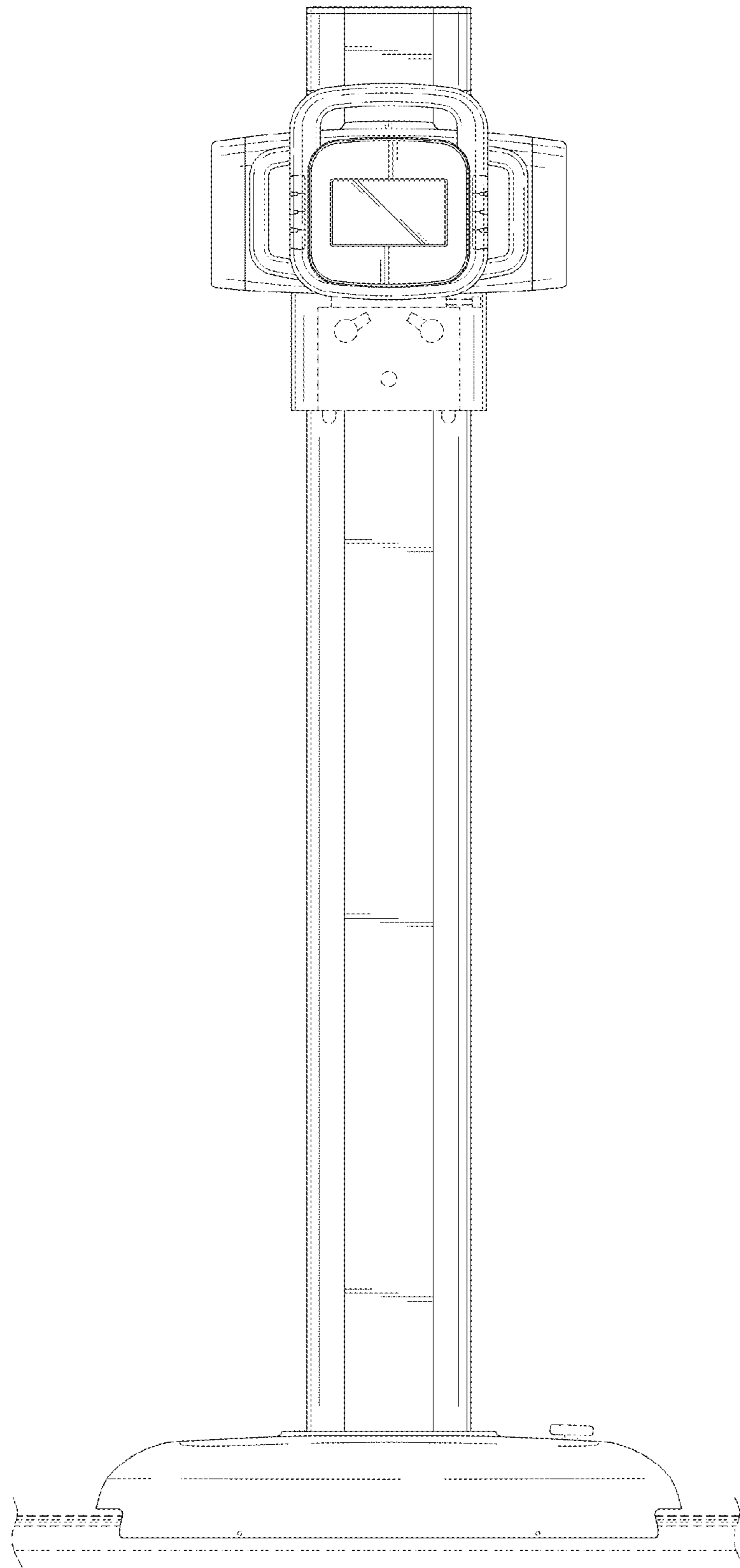


FIG.2

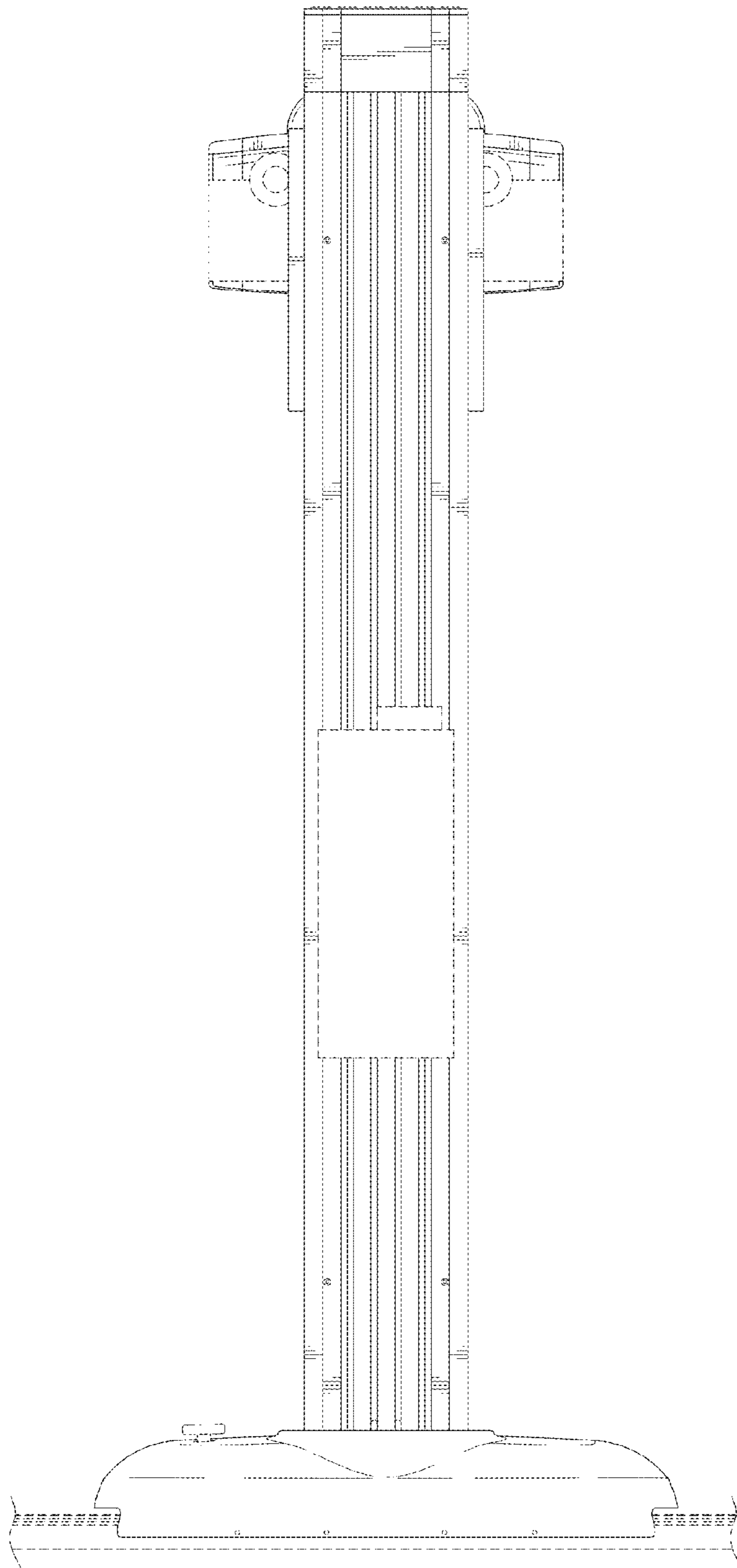


FIG.3

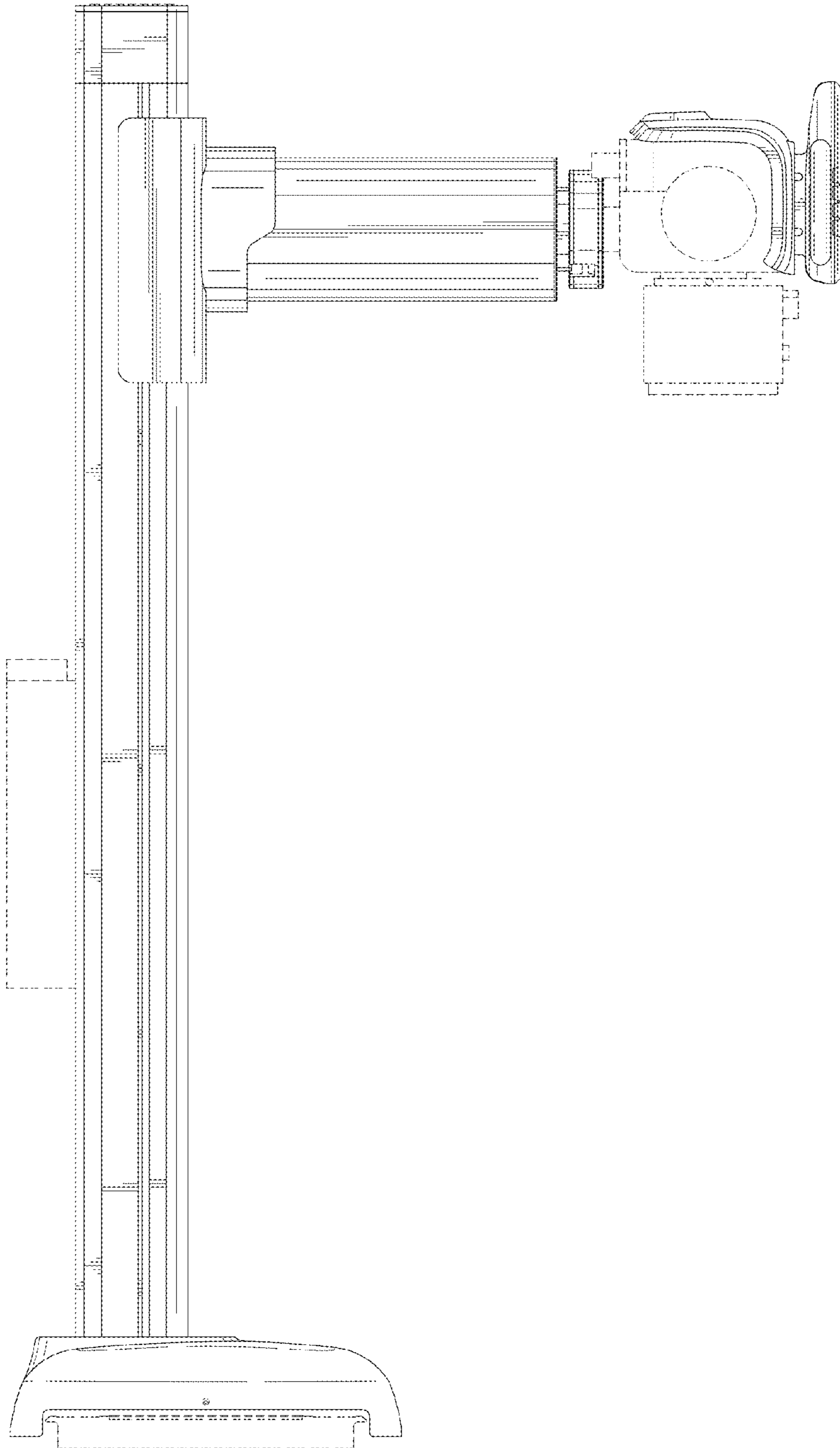


FIG.4

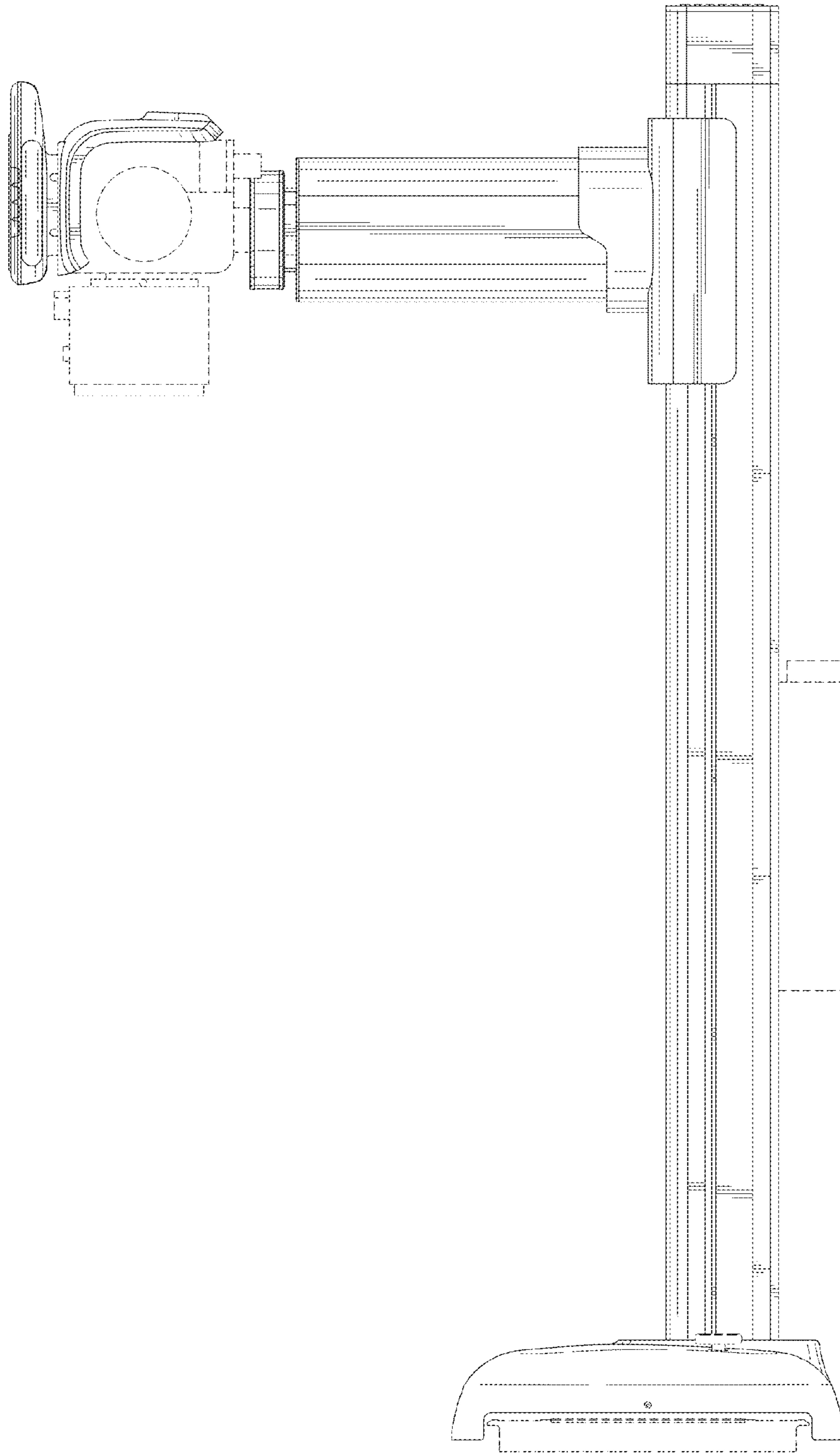


FIG.5

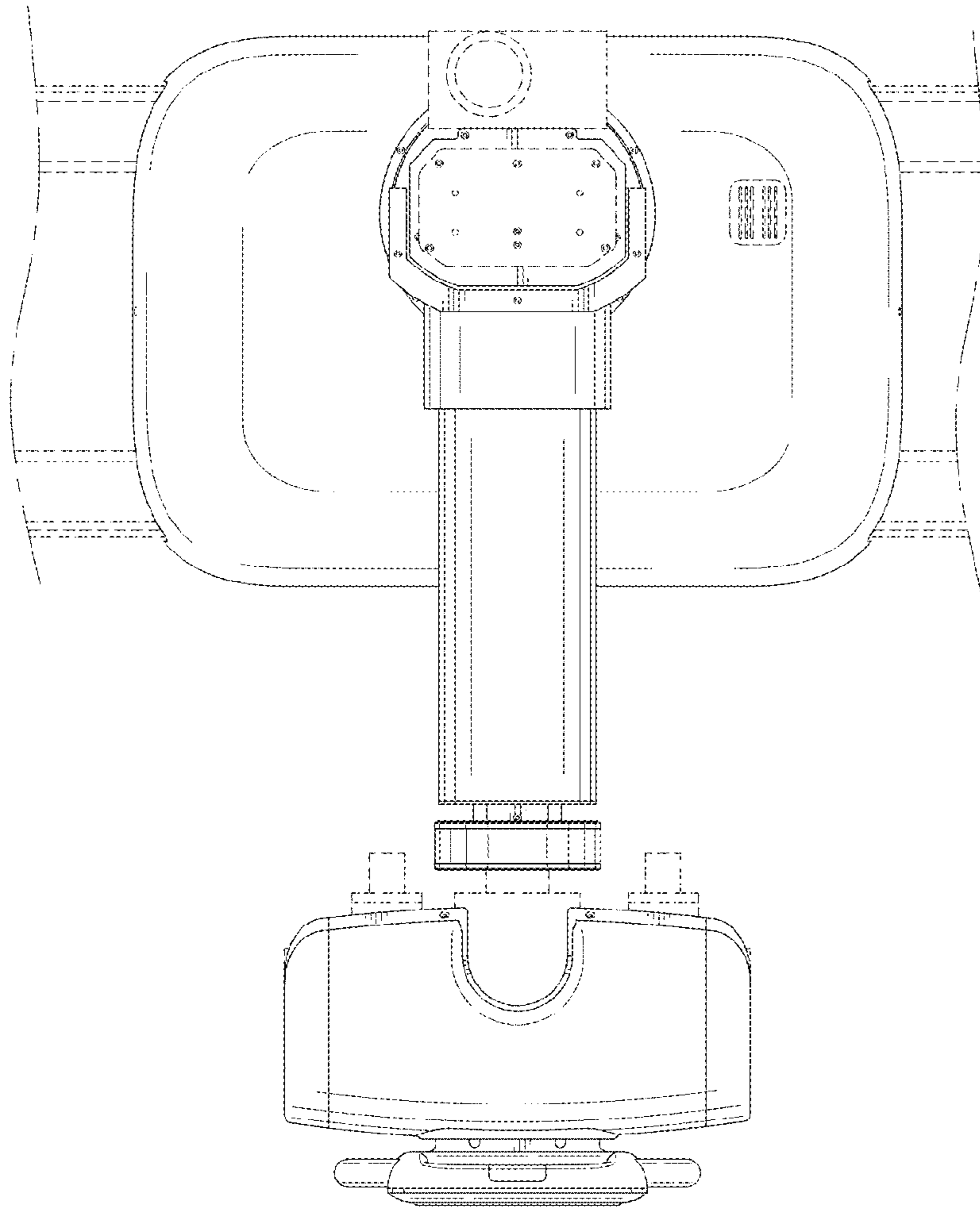


FIG.6

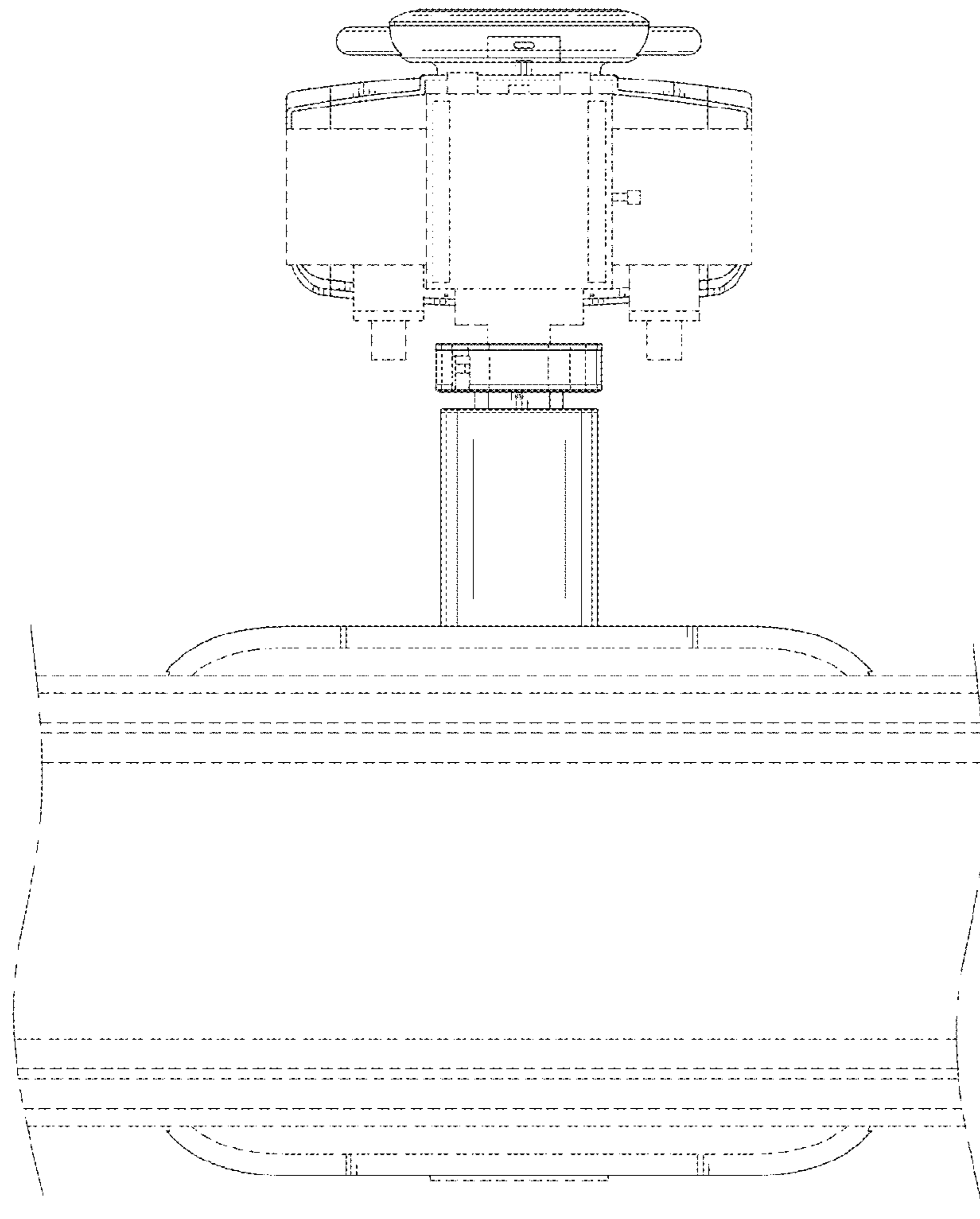


FIG. 7



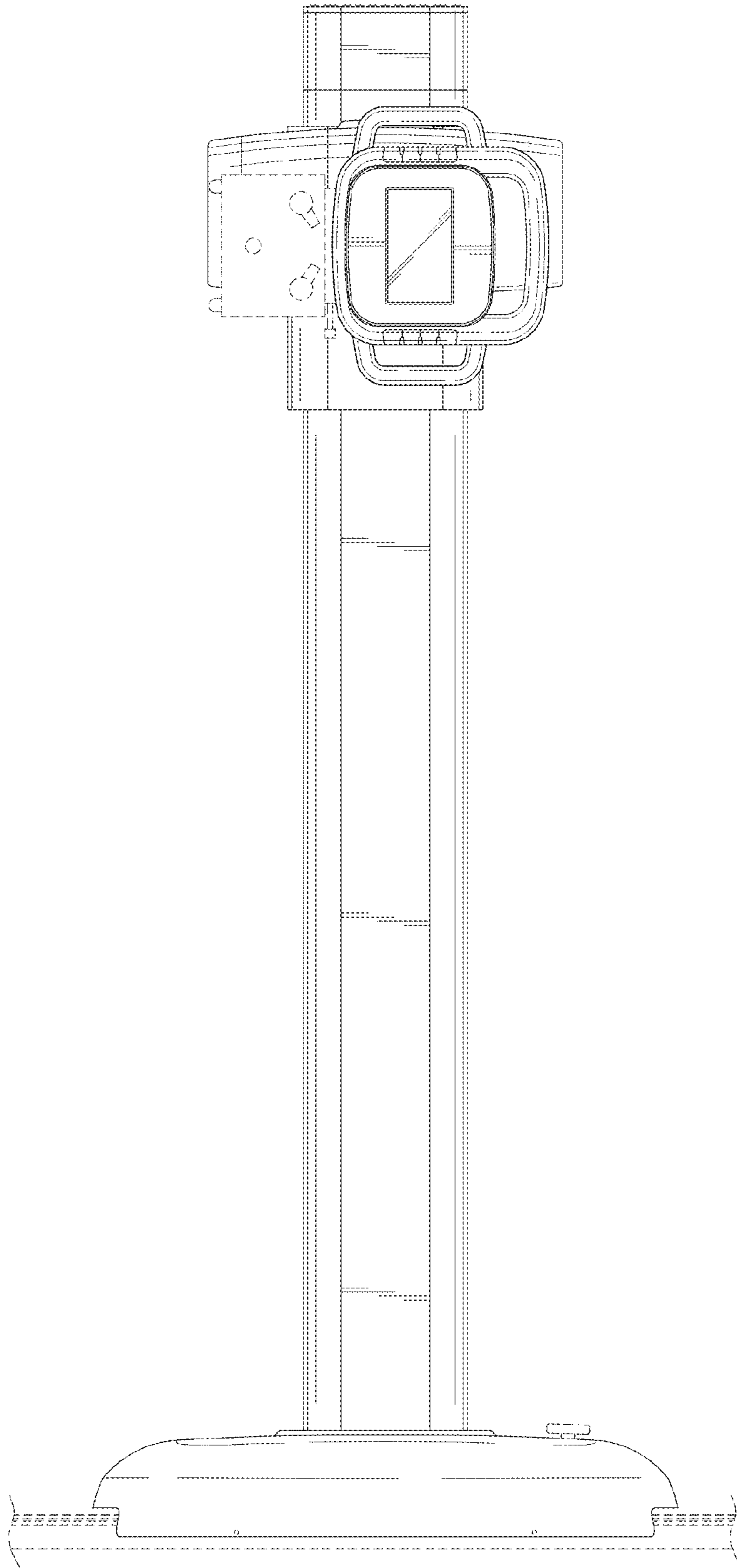


FIG.8