



US00D713035S

(12) **United States Design Patent**
Kim et al.

(10) **Patent No.:** **US D713,035 S**
(45) **Date of Patent:** **** Sep. 9, 2014**

(54) **ULTRASONIC DIAGNOSTIC APPARATUS**

(71) Applicant: **Samsung Medison Co., Ltd.**,
Gangwon-do (KR)

(72) Inventors: **Ui Kim**, Seoul (KR); **Mi Ran Song**,
Seoul (KR)

(73) Assignee: **Samsung Medison Co., Ltd.**,
Nam-myeon (KR)

(**) Term: **14 Years**

(21) Appl. No.: **29/456,391**

(22) Filed: **May 30, 2013**

(51) **LOC (10) Cl.** **24-01**

(52) **U.S. Cl.**
USPC **D24/158; D24/160**

(58) **Field of Classification Search**
CPC A61B 8/4405; A61B 8/462; A61B 8/467
USPC D24/158-161, 185, 186; 606/32-34;
600/437, 443; 248/282.1
See application file for complete search history.

(56) **References Cited**

U.S. PATENT DOCUMENTS

D560,807 S * 1/2008 Kitayama et al. D24/158
D571,011 S * 6/2008 Otoha et al. D24/158

D630,752 S * 1/2011 Suzuki D24/158
D650,482 S * 12/2011 Kim et al. D24/158
D662,208 S * 6/2012 Otoha et al. D24/185
D687,151 S * 7/2013 Yokoyama et al. D24/186
2008/0132789 A1 * 6/2008 Malchow et al. 600/443
2008/0161688 A1 * 7/2008 Poland 600/437
2011/0201927 A1 * 8/2011 Hayakawa et al. 600/437
2013/0030292 A1 * 1/2013 Nakajima 600/437
2013/0165790 A1 * 6/2013 Kim 600/443

* cited by examiner

Primary Examiner — Anhdao Doan

(74) *Attorney, Agent, or Firm* — Ladas & Parry LLP

(57) **CLAIM**

The ornamental design for an ultrasonic diagnostic apparatus,
as shown and described.

DESCRIPTION

FIG. 1 is a perspective view of an ultrasonic diagnostic apparatus showing our new design;
FIG. 2 is a front view thereof;
FIG. 3 is a rear view thereof;
FIG. 4 is a left side view thereof;
FIG. 5 is a right side view thereof; and,
FIG. 6 is a top view thereof.

The broken lines in the drawing views are included for the purpose of illustrating portions of the ultrasonic diagnostic apparatus that form no part of the claimed design.

1 Claim, 6 Drawing Sheets

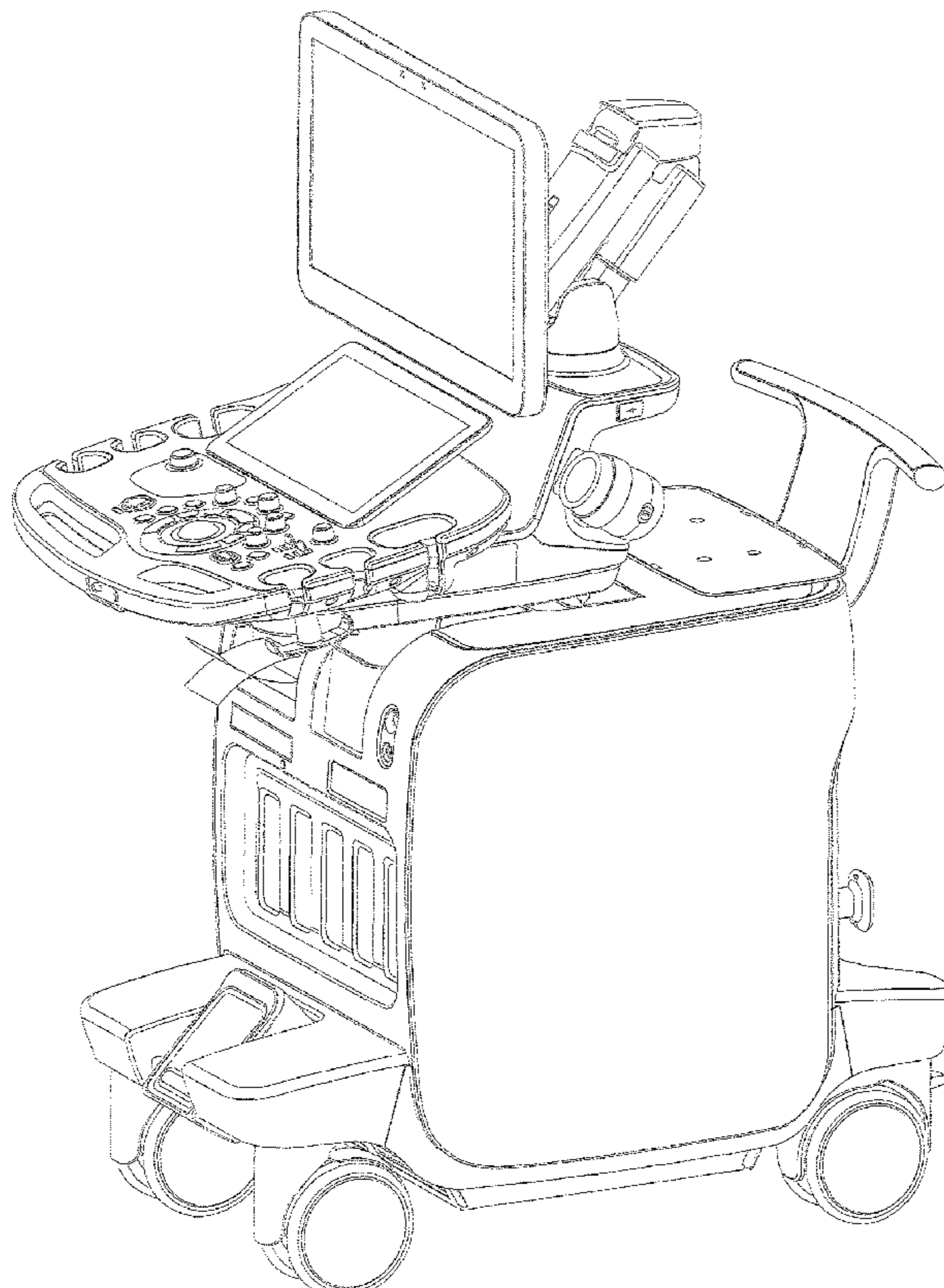


FIG. 1

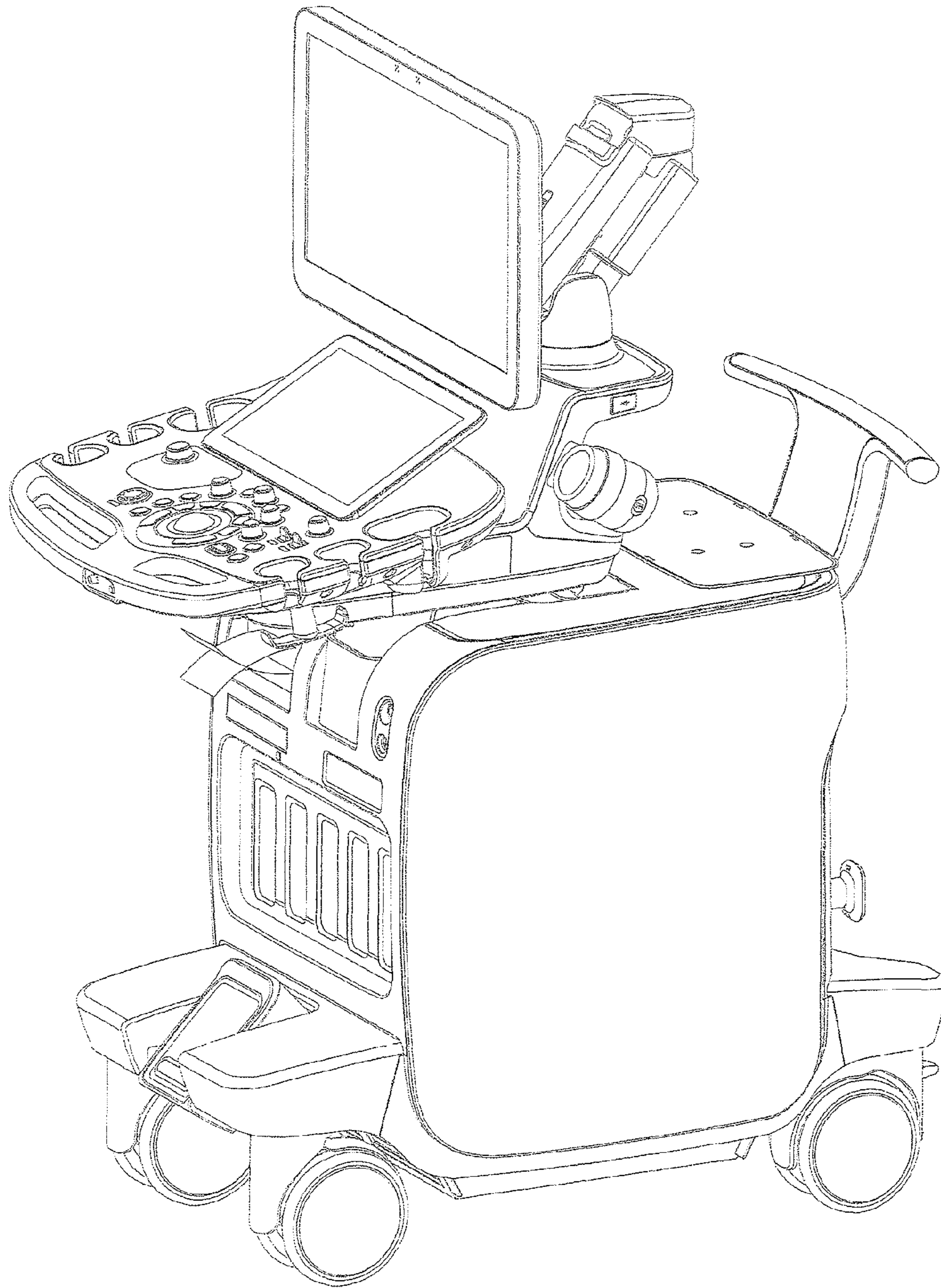


FIG. 2

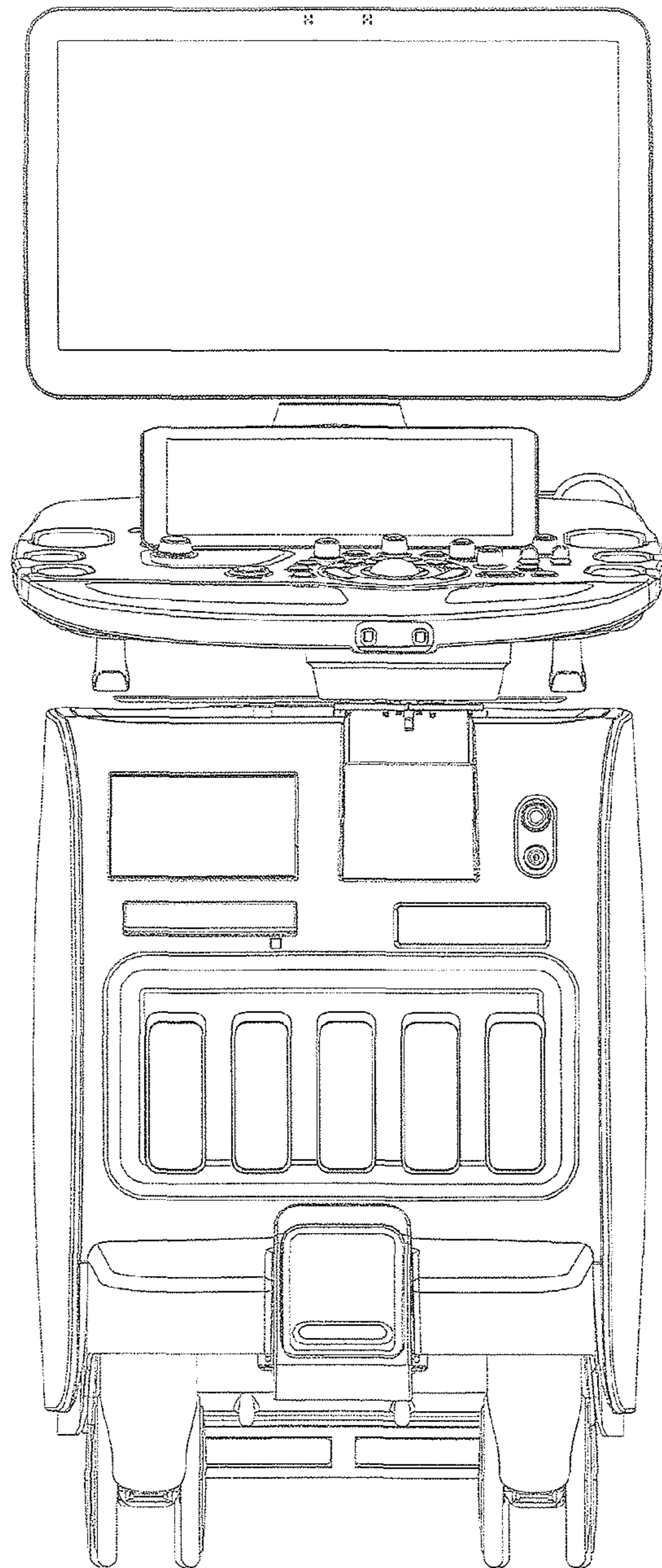


FIG. 3

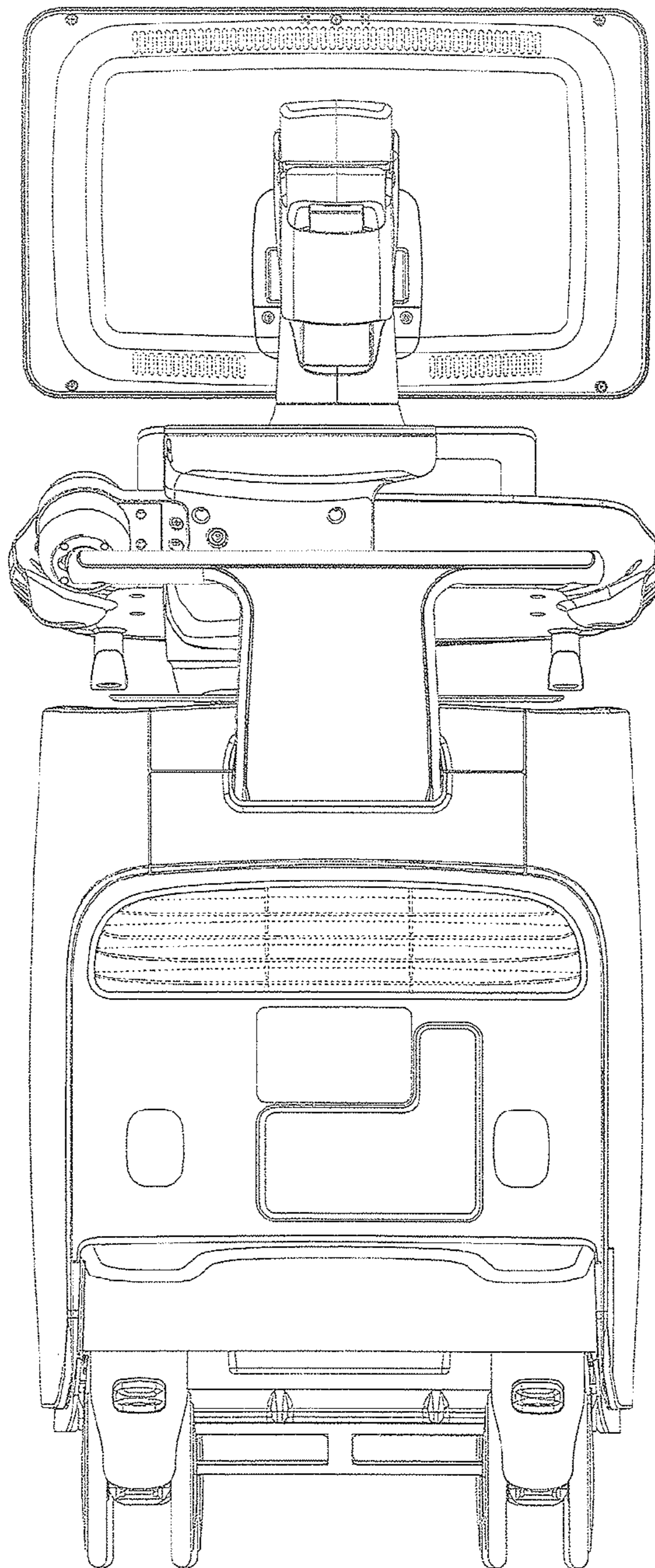


FIG. 4

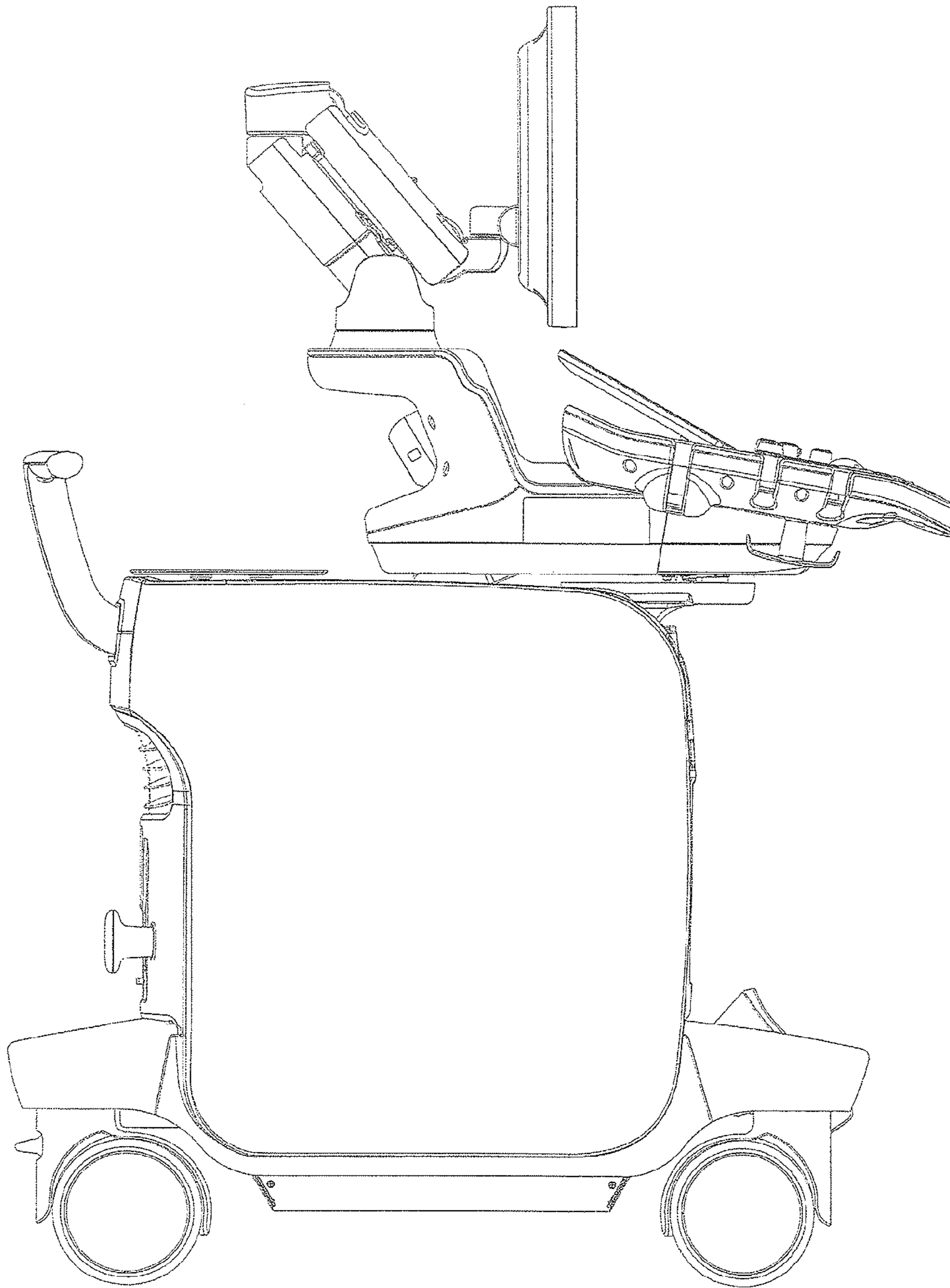


FIG. 5

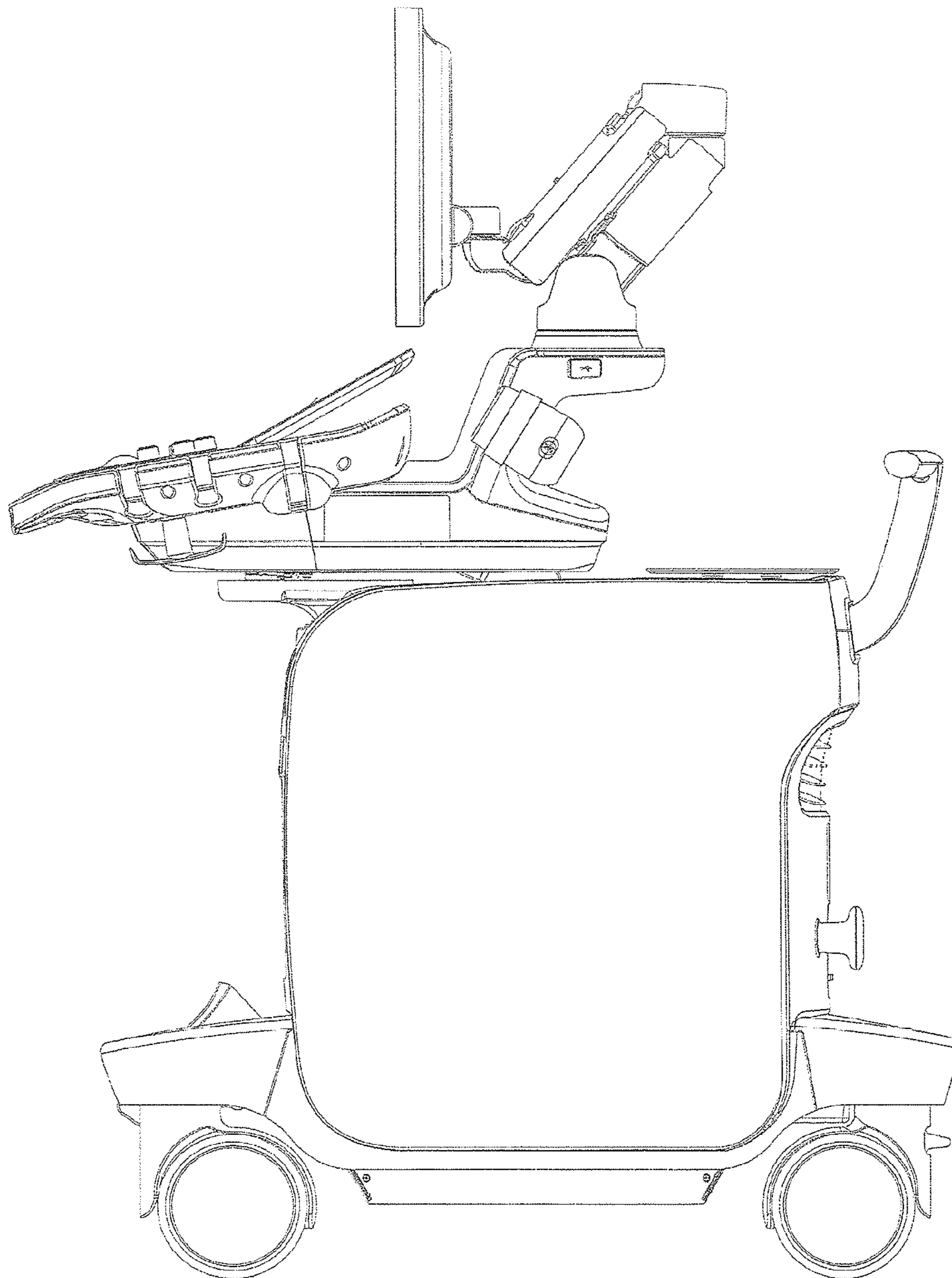


FIG. 6

