



US00D713034S

(12) **United States Design Patent**  
**Jung**

(10) **Patent No.:** **US D713,034 S**

(45) **Date of Patent:** **\*\* Sep. 9, 2014**

- (54) **DENTAL HANDPIECE**
- (71) Applicant: **Daniel Yonil Jung**, Sandy, UT (US)
- (72) Inventor: **Daniel Yonil Jung**, Sandy, UT (US)
- (73) Assignee: **DigitalPrep Technologies, Inc.**, West Valley City, UT (US)
- (\*\*) Term: **14 Years**
- (21) Appl. No.: **29/453,863**
- (22) Filed: **May 3, 2013**
- (51) **LOC (10) Cl.** ..... **24-02**
- (52) **U.S. Cl.**  
USPC ..... **D24/146; D24/152**
- (58) **Field of Classification Search**  
USPC ..... D24/146-147, 152, 176; 433/3, 48, 82,  
433/114, 118-119, 124-125, 133, 142, 102  
See application file for complete search history.

2010/0112514	A1*	5/2010	Chen	.....	433/114
2010/0112515	A1*	5/2010	Chen	.....	433/114
2010/0192375	A1	8/2010	Jacquemyns		
2010/0196842	A1	8/2010	Jacquemyns		

**FOREIGN PATENT DOCUMENTS**

DE	4012327	10/1991
DE	4013828	1/1992
WO	WO 2012/110850	8/2012

**OTHER PUBLICATIONS**

U.S. Appl. No. 29/447,933, filed Mar. 7, 2013; Daniel Yonil Jung.  
U.S. Appl. No. 29/447,926, filed Mar. 7, 2013; Daniel Yonil Jung.

\* cited by examiner

*Primary Examiner* — Wan Laymon

(74) *Attorney, Agent, or Firm* — Thorpe North & Western LLP

(57) **CLAIM**

The ornamental design for the dental handpiece, as shown and described.

(56) **References Cited**

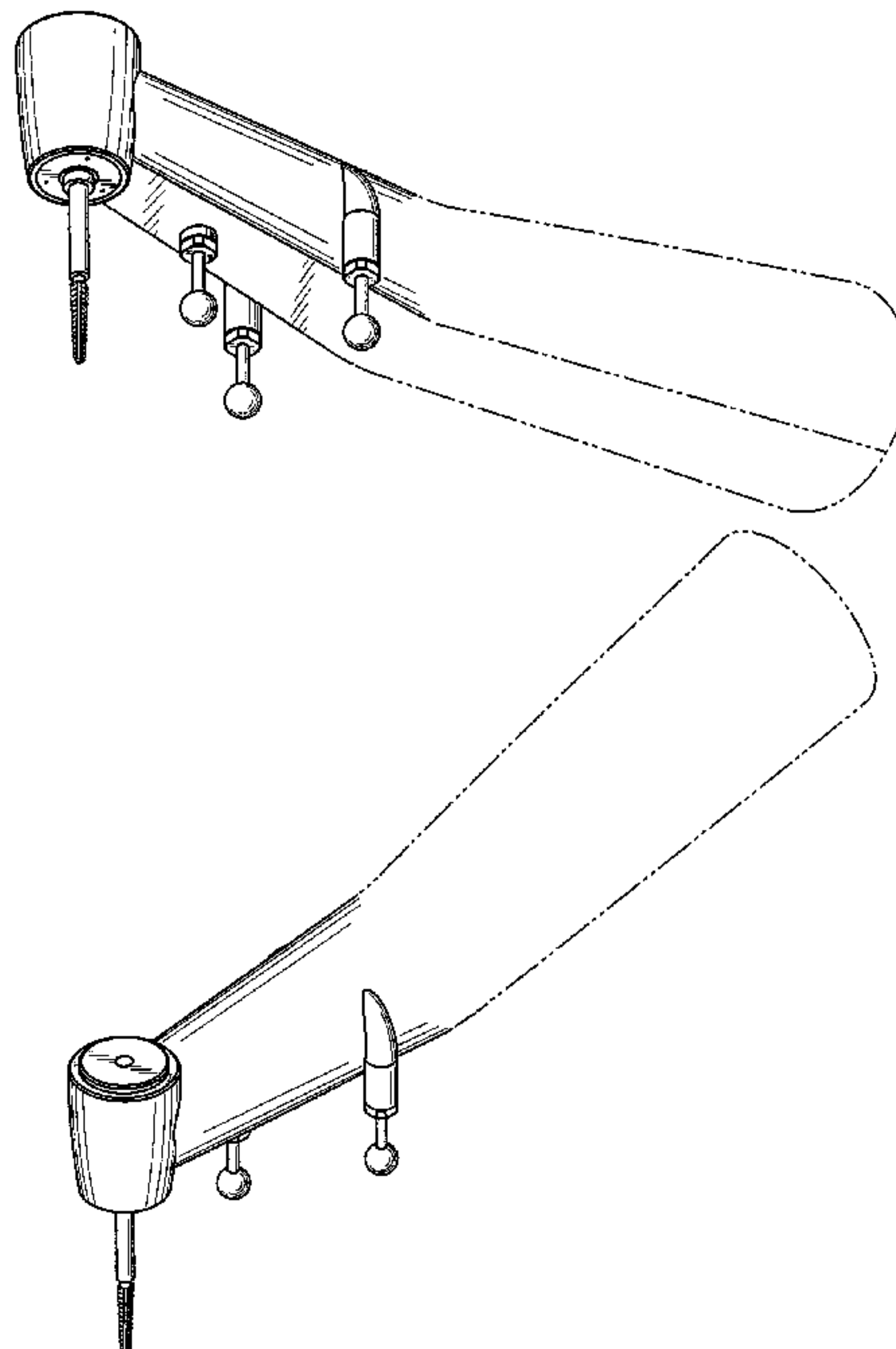
**U.S. PATENT DOCUMENTS**

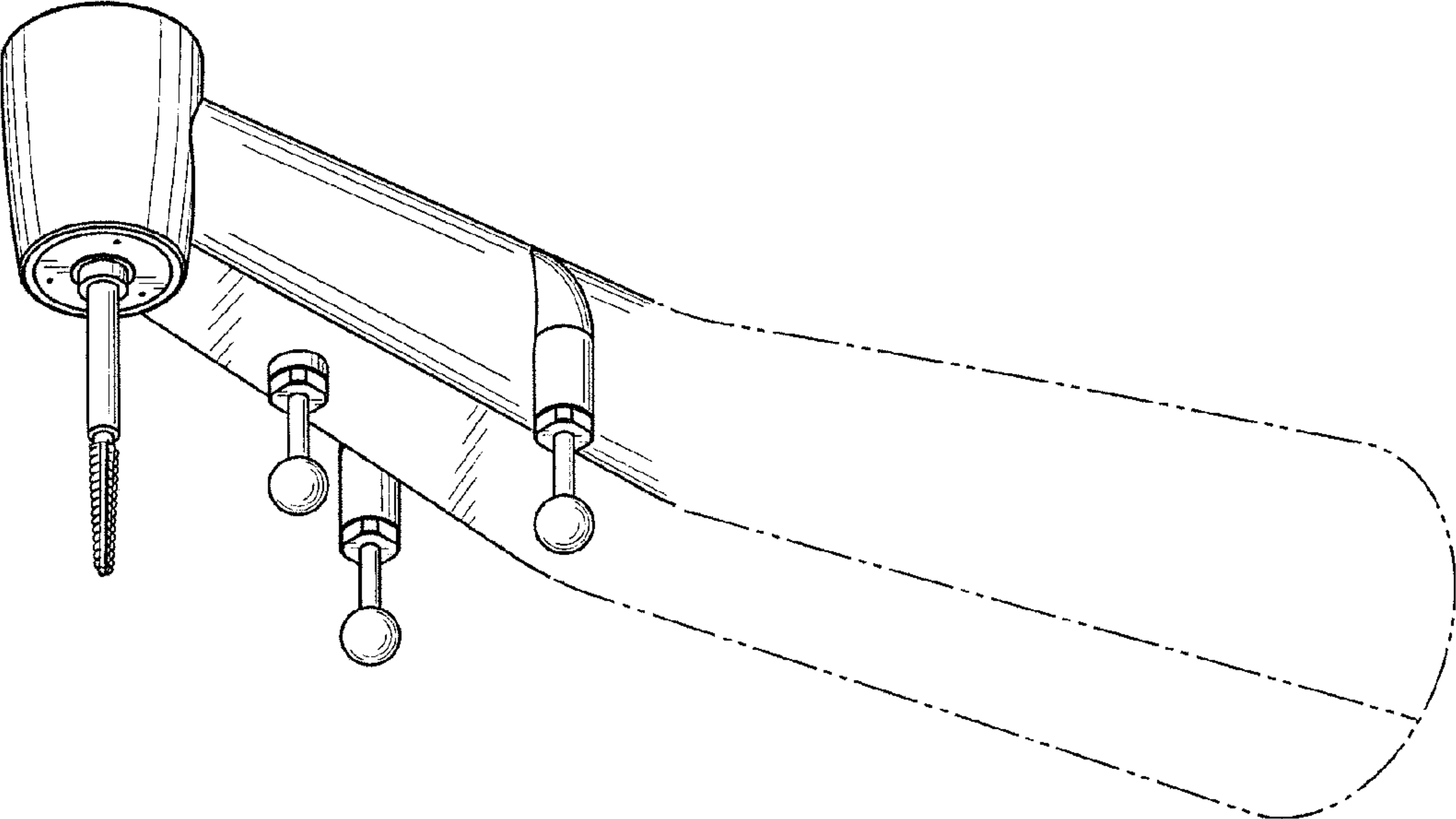
4,144,645	A	3/1979	Marshall		
D261,032	S *	9/1981	Marucci et al.	.....	D24/146
D263,877	S *	4/1982	Podszus et al.	.....	D24/146
D264,876	S *	6/1982	Seid	.....	D24/146
D305,935	S *	2/1990	Straihammer et al.	.....	D24/146
5,725,376	A	3/1998	Poirier		
6,213,770	B1 *	4/2001	Kuhn	.....	433/102
6,443,731	B2 *	9/2002	Kuhn et al.	.....	433/118
6,702,578	B2 *	3/2004	Matsutani et al.	.....	433/102
D499,486	S *	12/2004	Kuhn et al.	.....	D24/152
D548,342	S *	8/2007	Cohen	.....	D24/146
8,109,762	B2 *	2/2012	Richard	.....	433/114
2007/0287127	A1 *	12/2007	Schaffran et al.	.....	433/114
2009/0011380	A1 *	1/2009	Wang	.....	433/3

**DESCRIPTION**

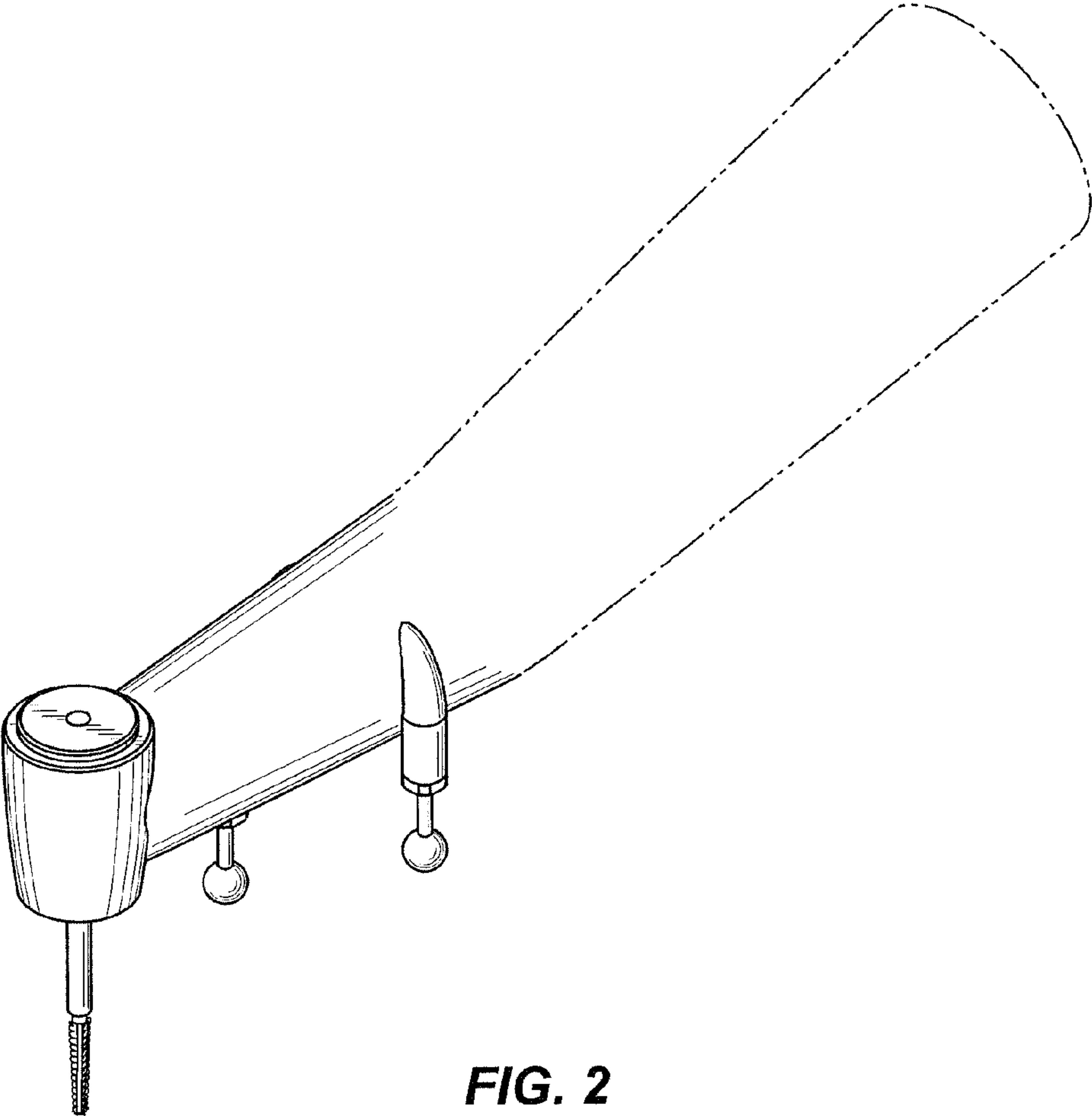
FIG. 1 is a bottom perspective view of a dental handpiece in accordance with my new invention;  
FIG. 2 is a top perspective view thereof;  
FIG. 3 is front elevation view thereof;  
FIG. 4 is a bottom plan view thereof;  
FIG. 5 is a left side elevation view thereof;  
FIG. 6 is a right side elevation view thereof;  
FIG. 7 is a top plan view thereof; and,  
FIG. 8 is a rear elevation view thereof.  
The broken lines shown in the figures represent portions of the dental handpiece and form no part of the claimed design.

**1 Claim, 3 Drawing Sheets**

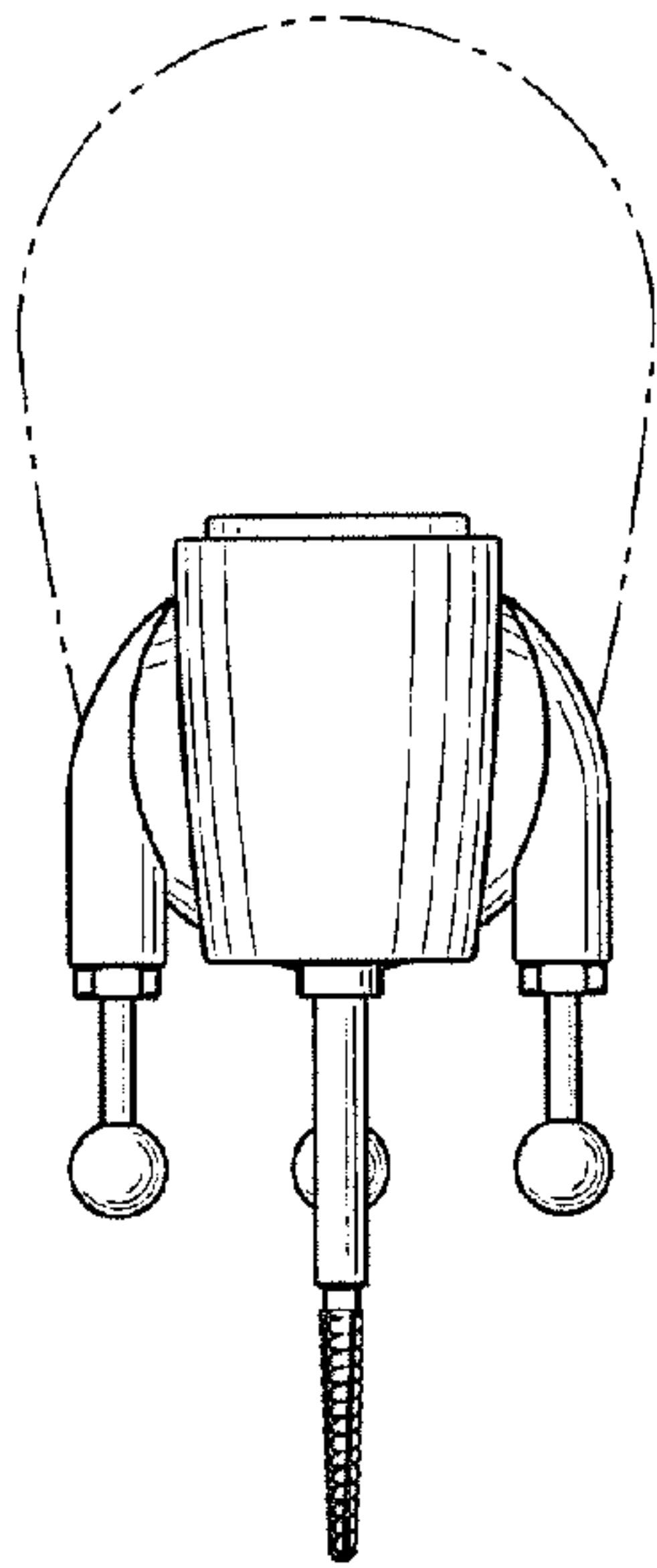




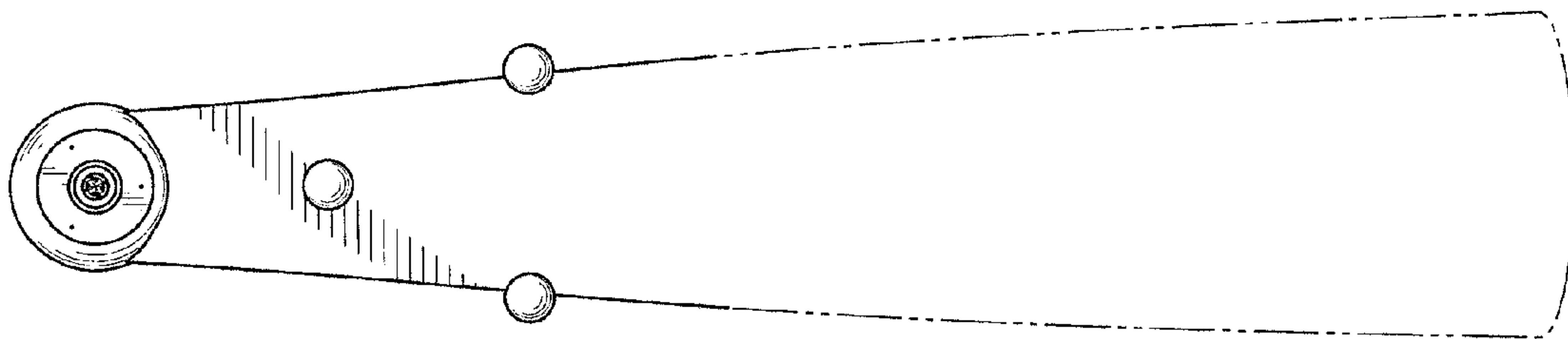
**FIG. 1**



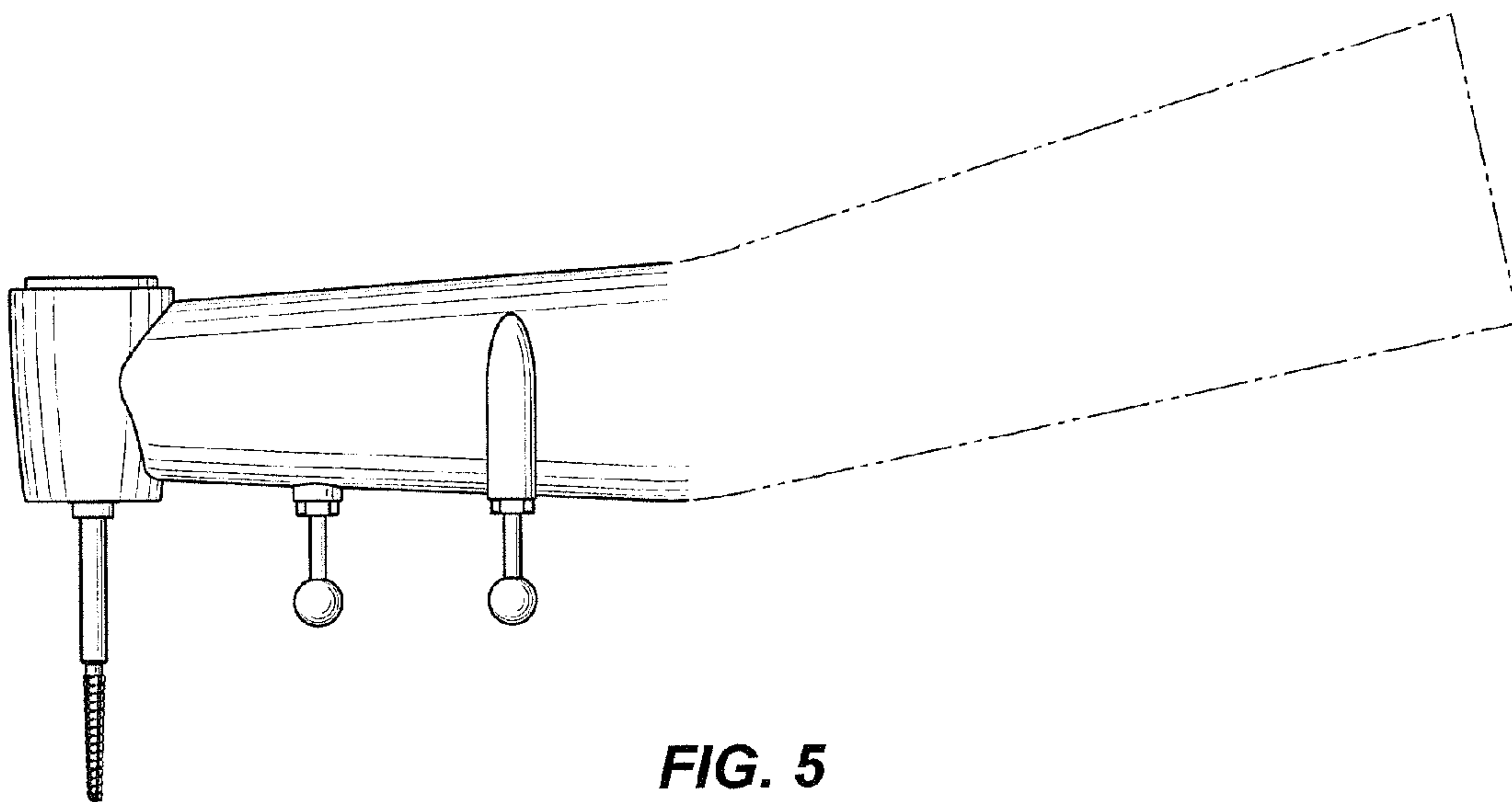
**FIG. 2**



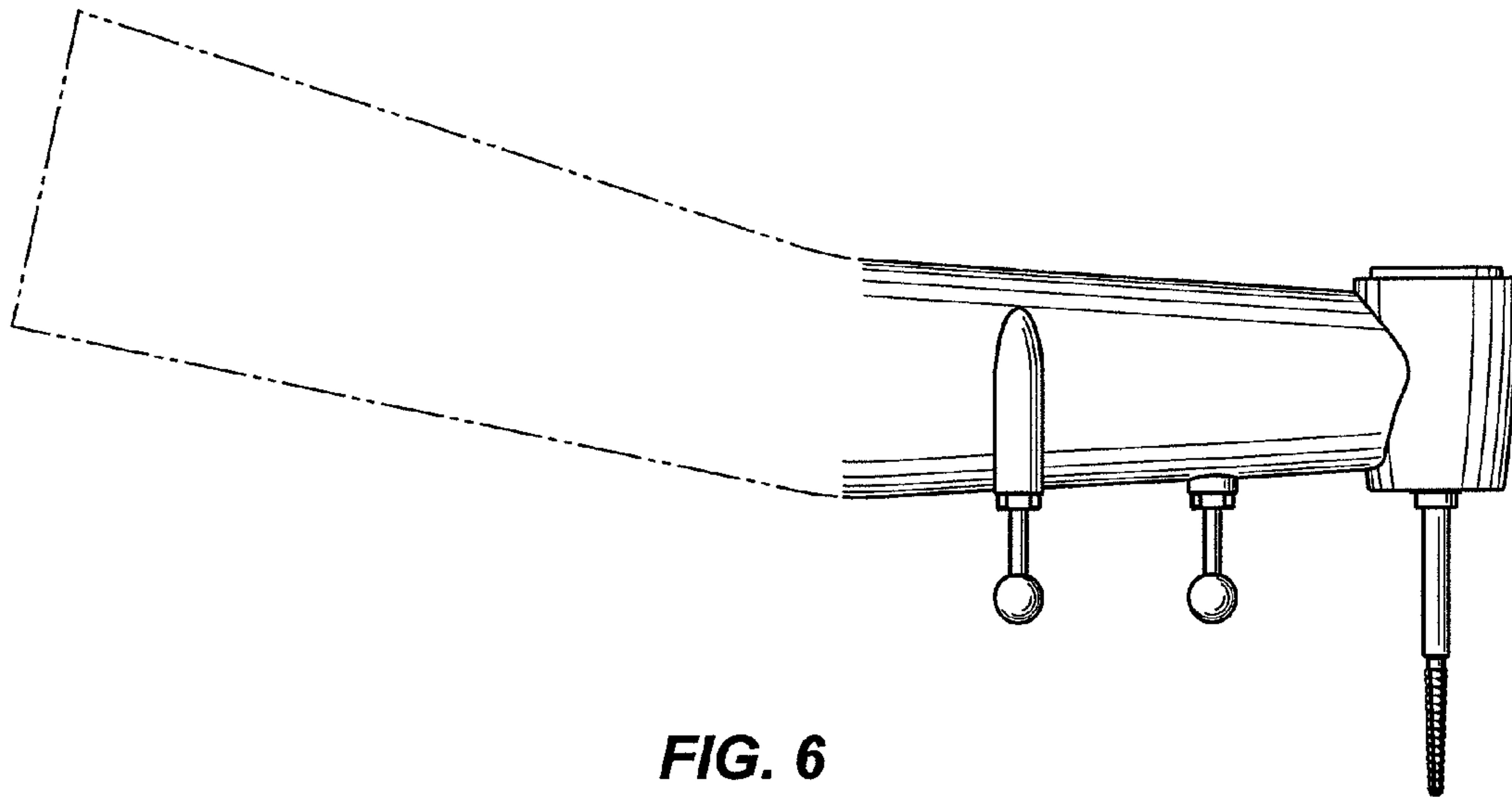
**FIG. 3**



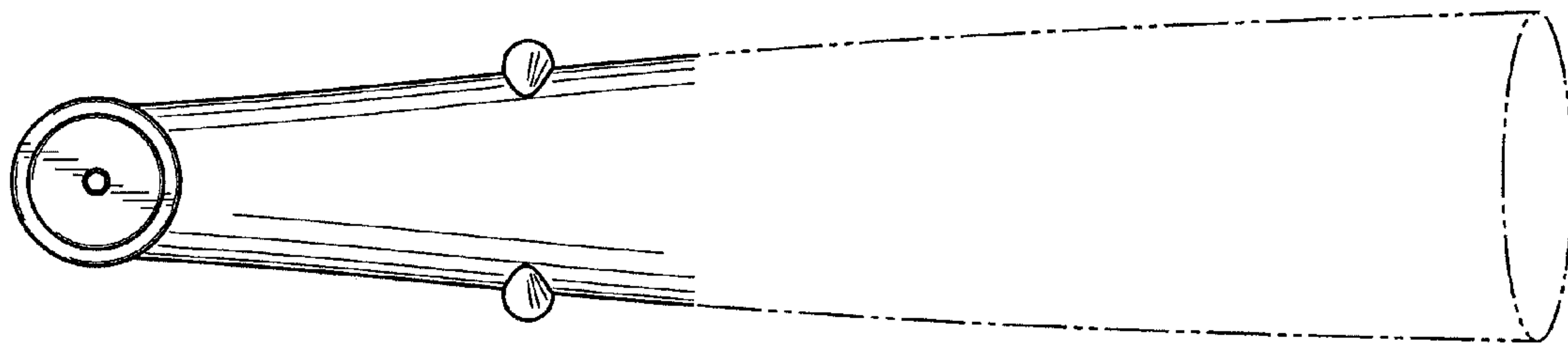
**FIG. 4**



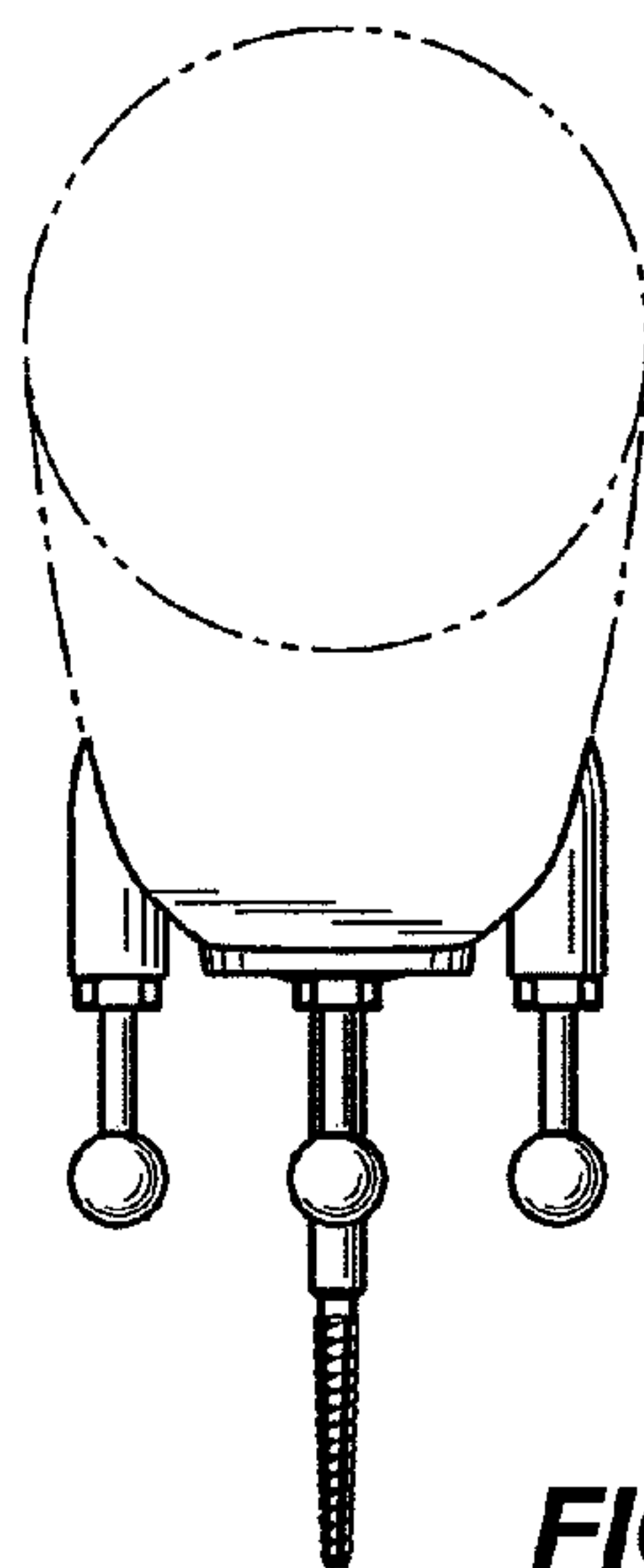
**FIG. 5**



**FIG. 6**



**FIG. 7**



**FIG. 8**