



US00D713033S

(12) **United States Design Patent**
Sauer et al.

(10) **Patent No.:** **US D713,033 S**
(45) **Date of Patent:** **** Sep. 9, 2014**

(54) **TROCAR GUIDE**

(75) Inventors: **Michael Sauer**, Tuttlingen (DE); **Felix Lindner**, Villingen-Schwenningen (DE)

(73) Assignee: **Karl Storz GmbH & Co. KG**, Tuttlingen (DE)

(**) Term: **14 Years**

(21) Appl. No.: **29/401,033**

(22) Filed: **Sep. 6, 2011**

(30) **Foreign Application Priority Data**

Mar. 3, 2011 (EM) 001830274-0003

(51) **LOC (10) Cl.** **24-02**

(52) **U.S. Cl.**
USPC **D24/146**

(58) **Field of Classification Search**
USPC D24/146, 147, 112; 604/164, 184, 167,
604/170, 256, 265, 172, 161, 167.07,
604/164.04, 158, 164.02, 164.1, 164.11,
604/232

See application file for complete search history.

(56) **References Cited**

U.S. PATENT DOCUMENTS

D358,209	S	*	5/1995	Petruschke et al.	D24/146
D362,066	S	*	9/1995	Petruschke et al.	D24/146
D426,635	S	*	6/2000	Haberland et al.	D24/146
D434,148	S	*	11/2000	Sauer et al.	D24/146
D449,887	S	*	10/2001	Haberland et al.	D24/146
D496,729	S	*	9/2004	Pajunk et al.	D24/146

D496,998	S	*	10/2004	Pajunk et al.	D24/146
D541,417	S	*	4/2007	Albrecht et al.	D24/146
D542,918	S	*	5/2007	Albrecht et al.	D24/146
D549,824	S	*	8/2007	Sauer	D24/146
D589,617	S	*	3/2009	Carter	D24/146
D605,765	S	*	12/2009	Gaab	D24/146
D606,193	S	*	12/2009	Oberlaender et al.	D24/146
D606,194	S	*	12/2009	Frey et al.	D24/147
D637,290	S	*	5/2011	Schwoy	D24/146
8,070,767	B2	*	12/2011	Smith	606/184
D680,647	S	*	4/2013	Carter	D24/146

* cited by examiner

Primary Examiner — Ian Simmons

Assistant Examiner — Carissa C Fitts

(74) *Attorney, Agent, or Firm* — Muncy, Geissler, Olds & Lowe, P.C.

(57) **CLAIM**

The ornamental design for a trocar guide, as shown and described.

DESCRIPTION

FIG. 1 is a left side elevational view of a trocar guide showing our new design.

FIG. 2 is a right side elevational view of the trocar guide of FIG. 1.

FIG. 3 is a front elevational view of the trocar guide of FIG. 1.

FIG. 4 is a rear elevational view of the trocar guide of FIG. 1.

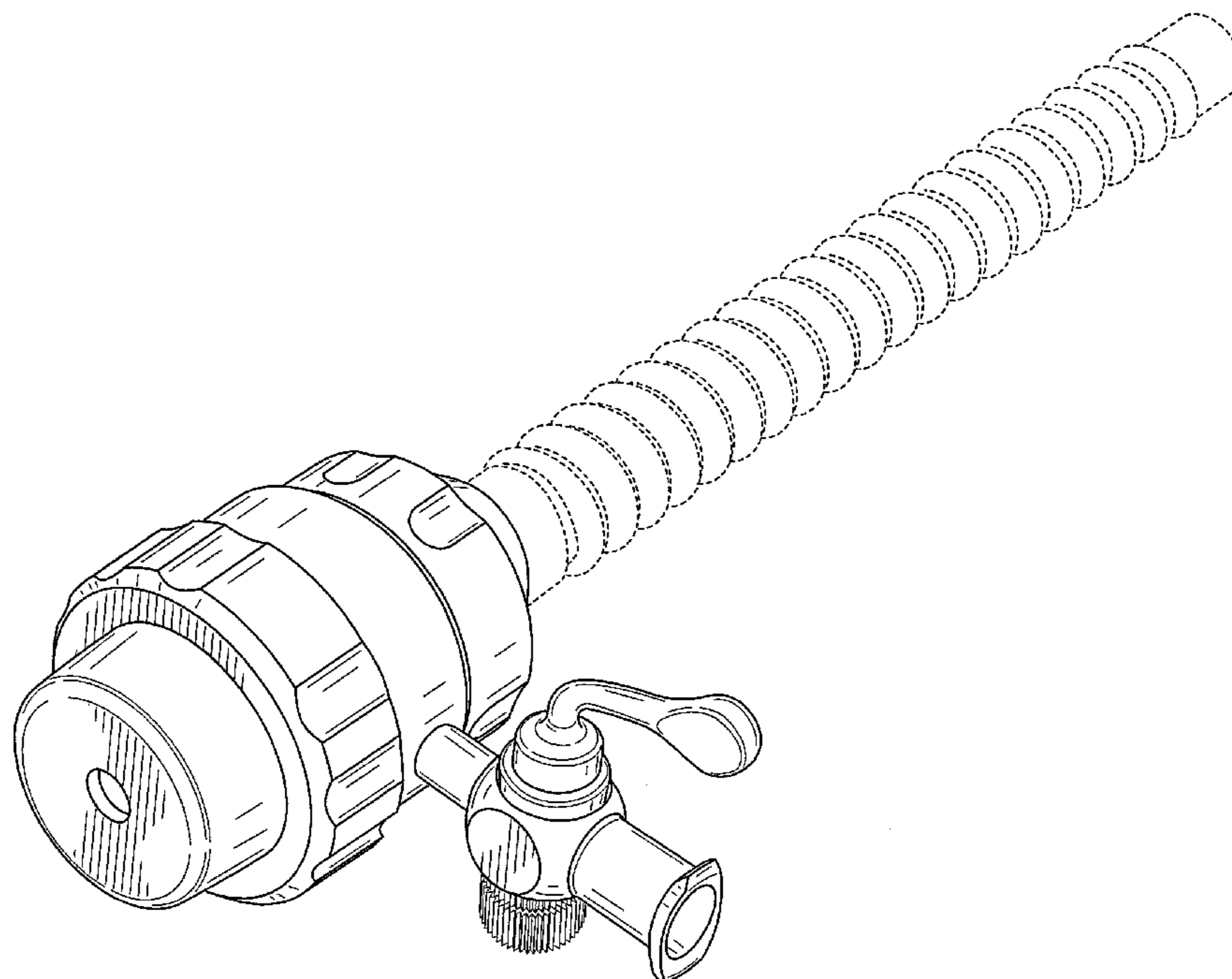
FIG. 5 is a top plan view of the trocar guide of FIG. 1.

FIG. 6 is a bottom plan view of the trocar guide of FIG. 1; and,

FIG. 7 is a perspective view of the trocar guide of FIG. 1.

The dashed lines illustrate environment that does not form a part of the present invention, and no claim is made to the material illustrated with dashed lines.

1 Claim, 6 Drawing Sheets



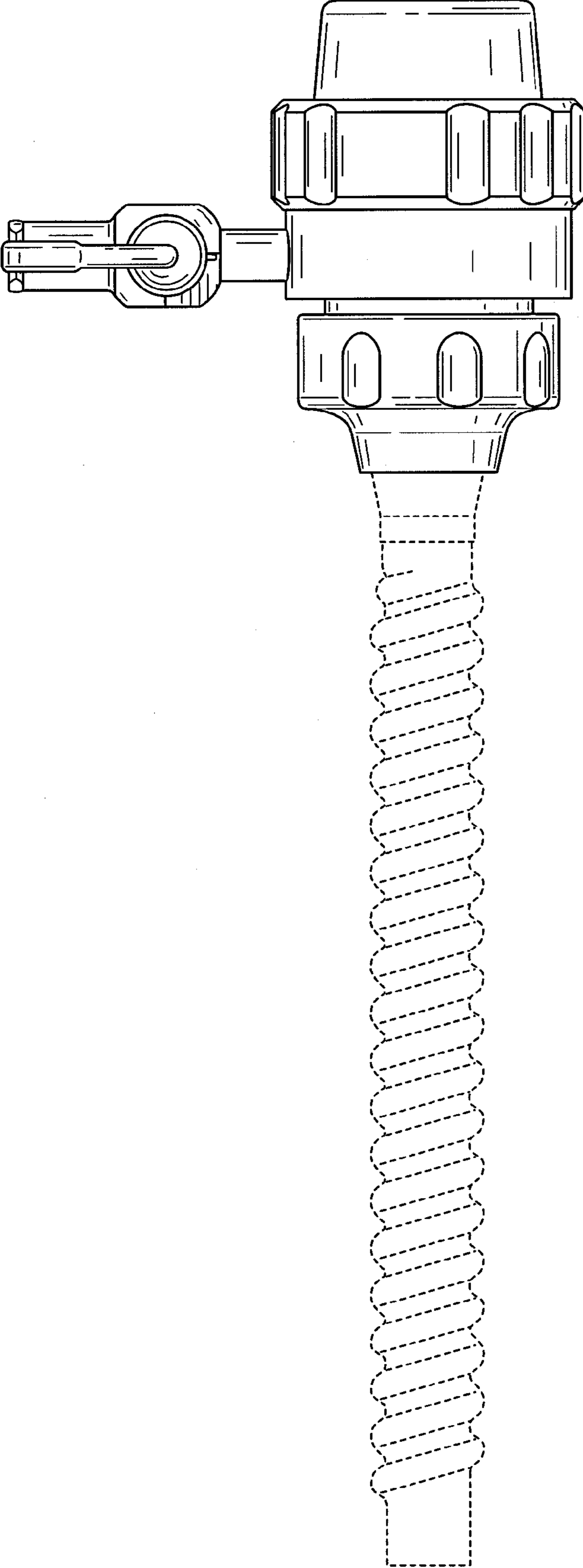


FIG. 1

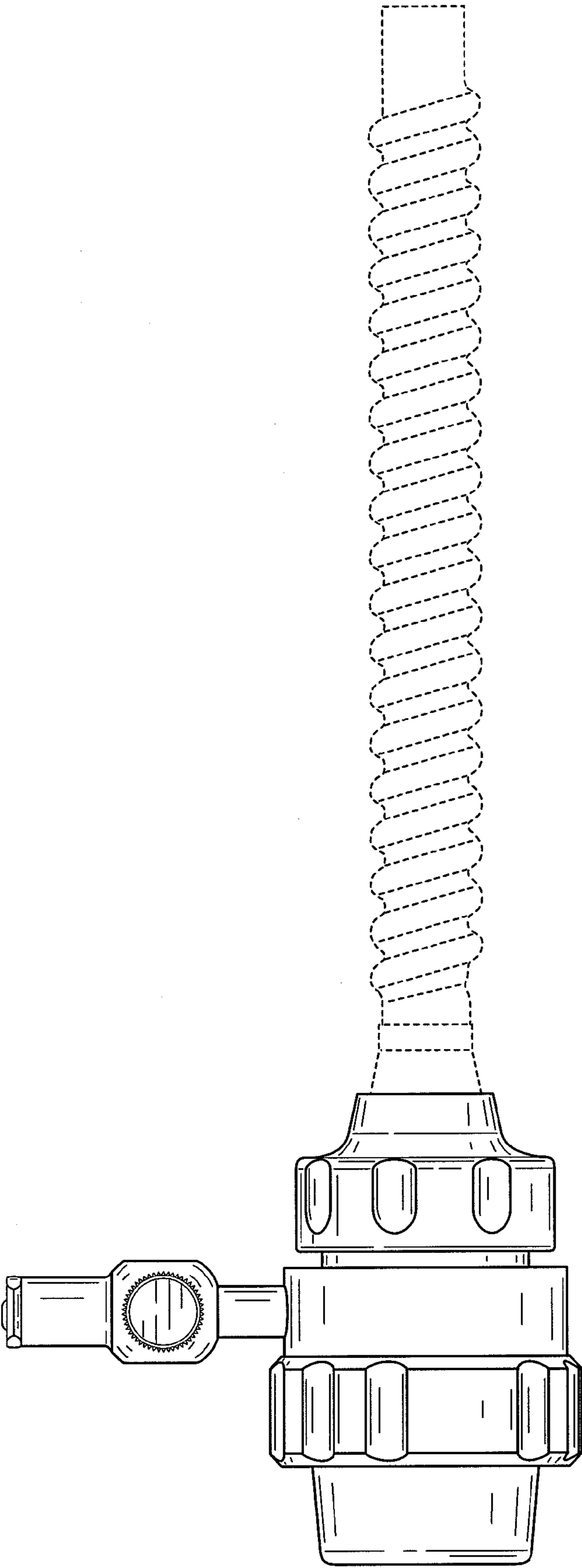


FIG. 2

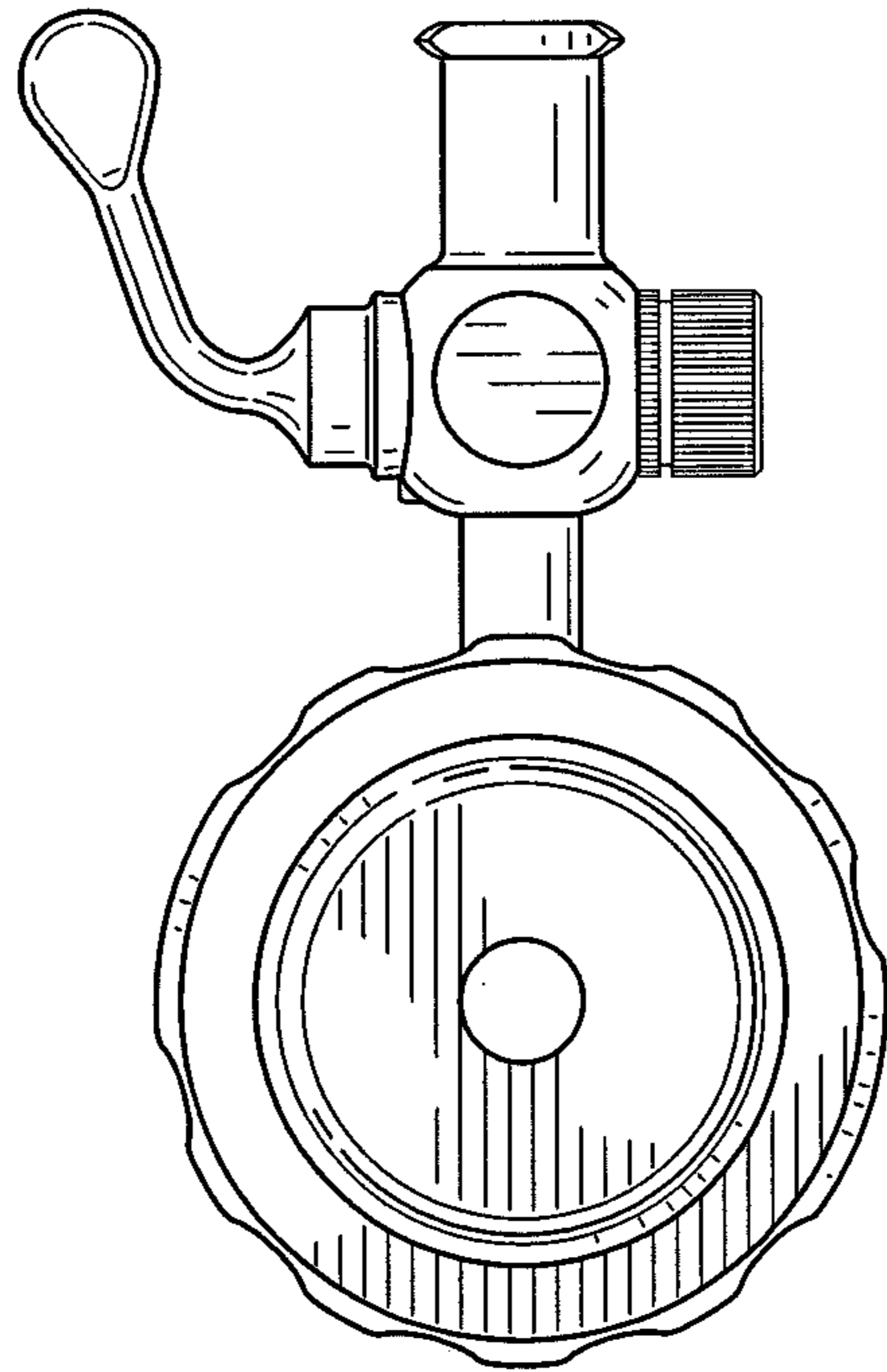


FIG. 3

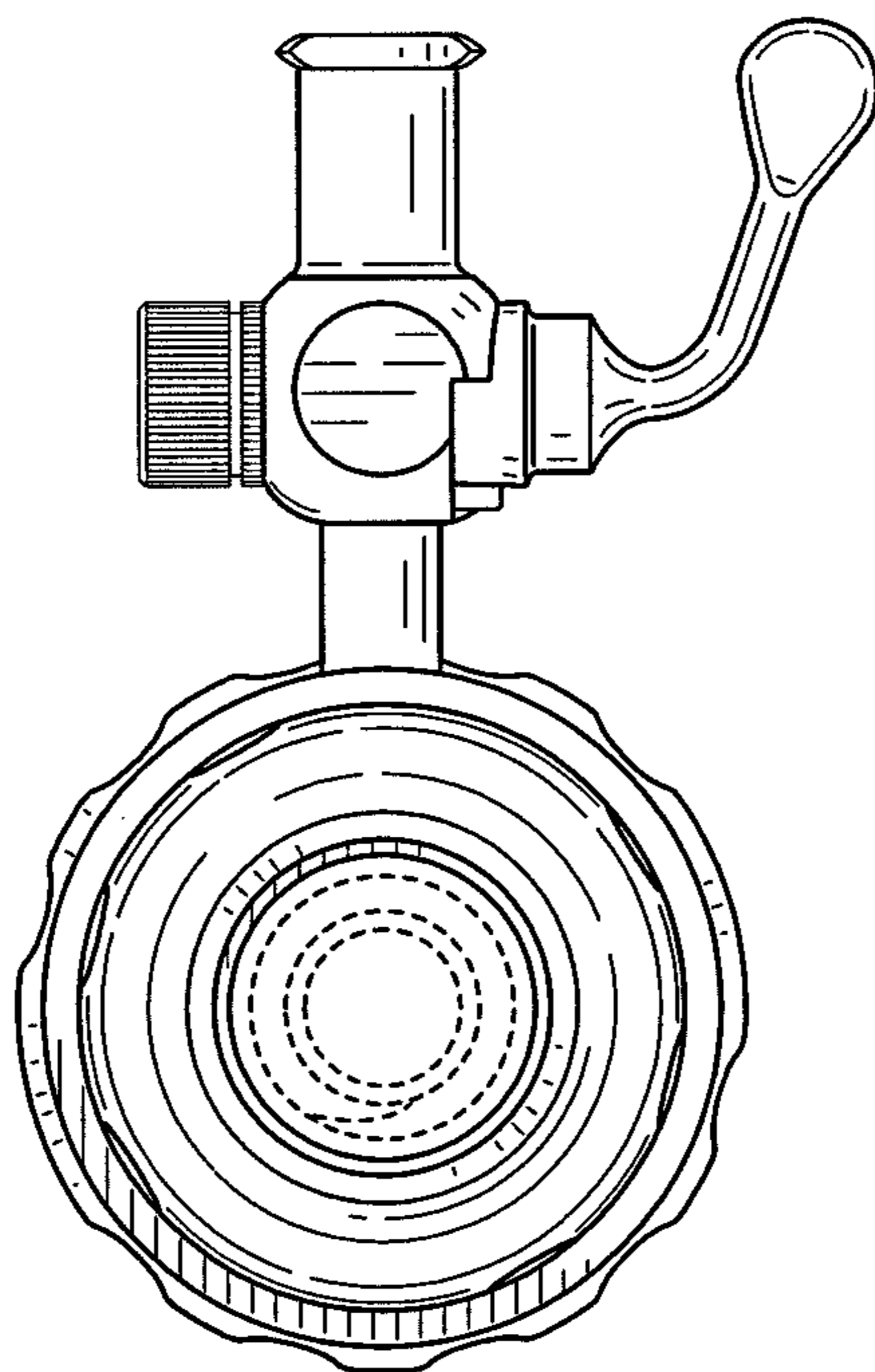


FIG. 4

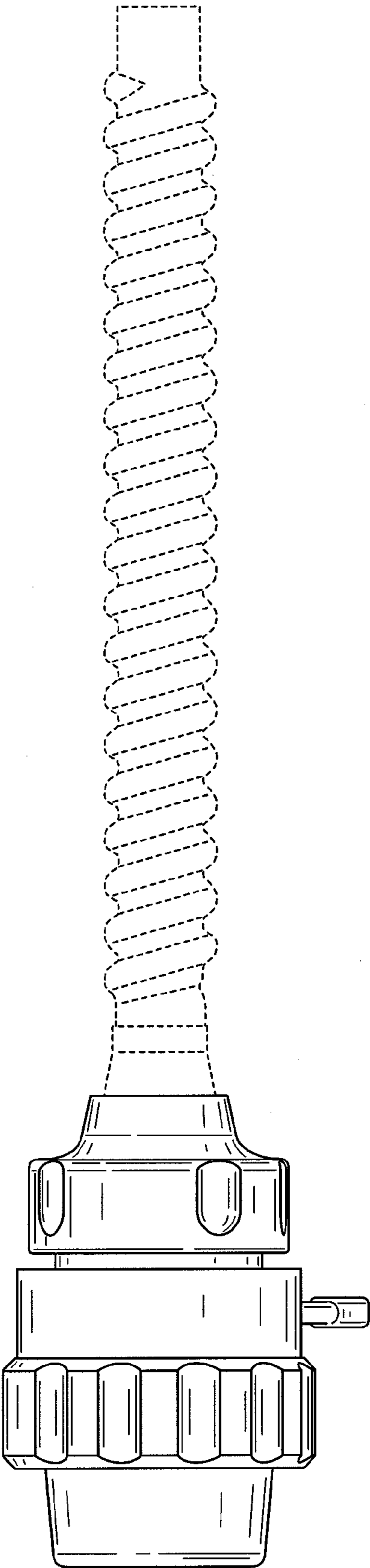


FIG. 5

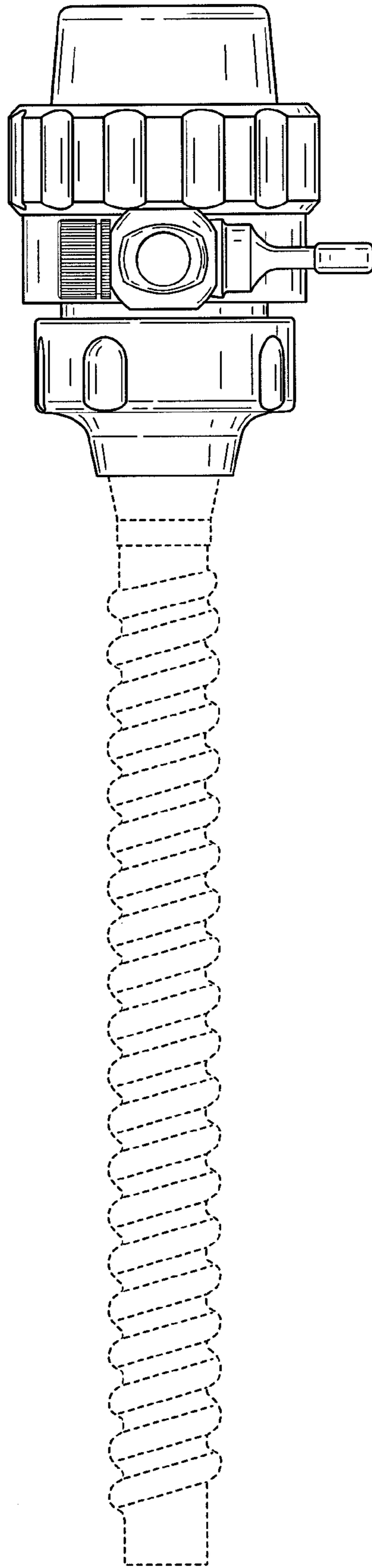


FIG. 6

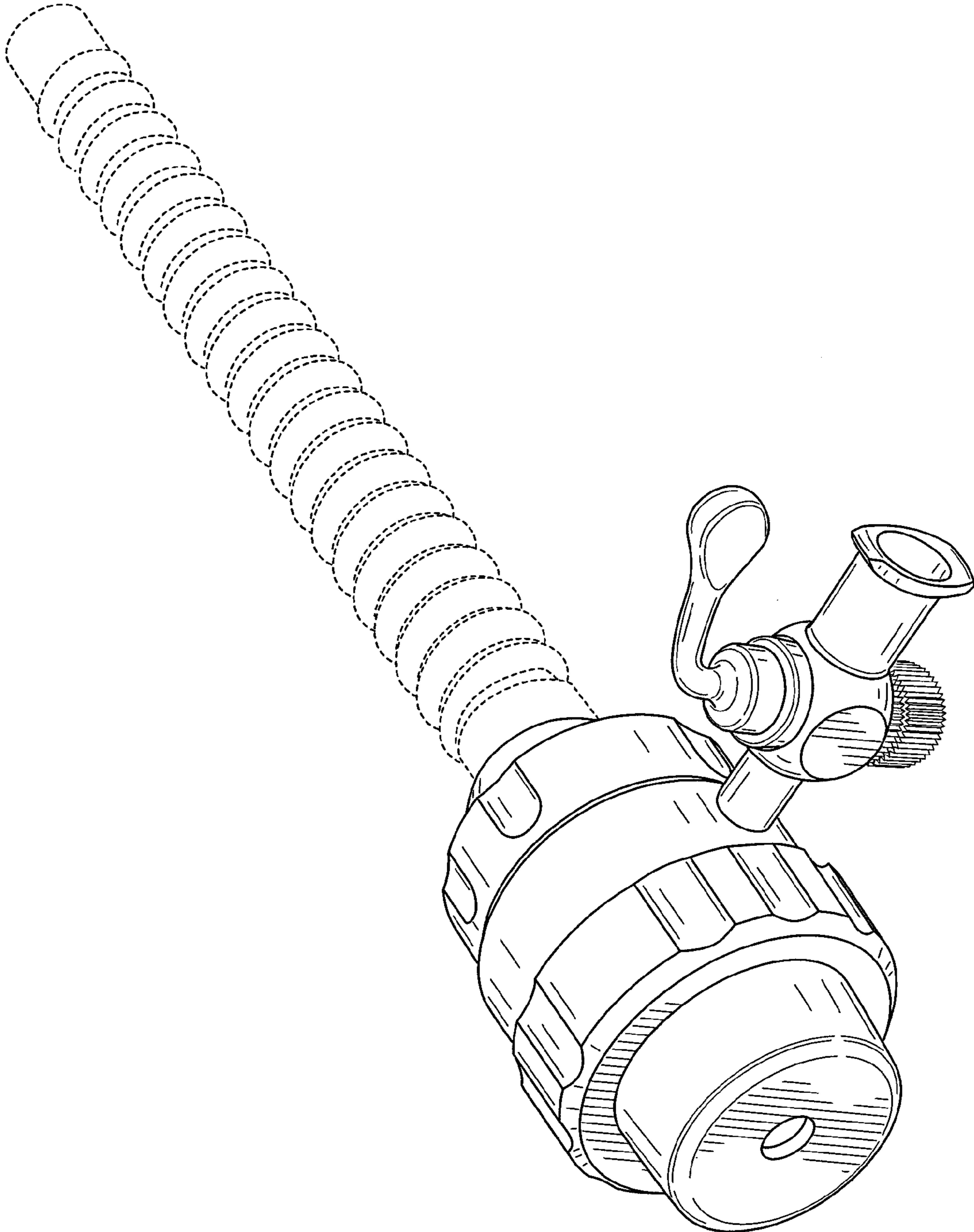


FIG. 7