



US00D713031S

(12) **United States Design Patent**  
**McCormick**

(10) **Patent No.:** **US D713,031 S**  
(45) **Date of Patent:** **\*\* Sep. 9, 2014**

(54) **NASAL DILATOR**

(71) Applicant: **Toby McCormick**, Merritt Island, FL  
(US)

(72) Inventor: **Toby McCormick**, Merritt Island, FL  
(US)

(\*\*) Term: **14 Years**

(21) Appl. No.: **29/446,889**

(22) Filed: **Feb. 28, 2013**

(51) **LOC (10) Cl.** ..... **24-02**

(52) **U.S. Cl.**  
USPC ..... **D24/135**

(58) **Field of Classification Search**  
CPC ..... A61F 5/08; A61B 7/0057; A61B 1/233;  
A61M 29/00; A61M 29/02  
USPC ..... D24/133, 135, 136; 606/191-199  
See application file for complete search history.

(56) **References Cited**

**U.S. PATENT DOCUMENTS**

D25,858 S	8/1896	McKee	
D251,017 S *	2/1979	Amezcuca	D24/106
5,665,104 A *	9/1997	Lee	606/199
D430,667 S *	9/2000	Rome	D24/135

D451,193 S	11/2001	McCormick	
6,978,781 B1 *	12/2005	Jordan	128/206.11
D576,726 S *	9/2008	Maxwell	D24/135
D595,848 S *	7/2009	Dolezal et al.	D24/135
D652,518 S *	1/2012	Jensen	D24/135
2007/0157933 A1 *	7/2007	Reed	128/206.11
2008/0178873 A1 *	7/2008	Alpers	128/200.24
2008/0178874 A1 *	7/2008	Doshi et al.	128/200.24
2009/0054923 A1 *	2/2009	Benson	606/199

\* cited by examiner

*Primary Examiner* — Bridget L Eland

(74) *Attorney, Agent, or Firm* — Vincent G. LoTempio;  
David T. Stephenson; Kloss, Stenger & LoTempio

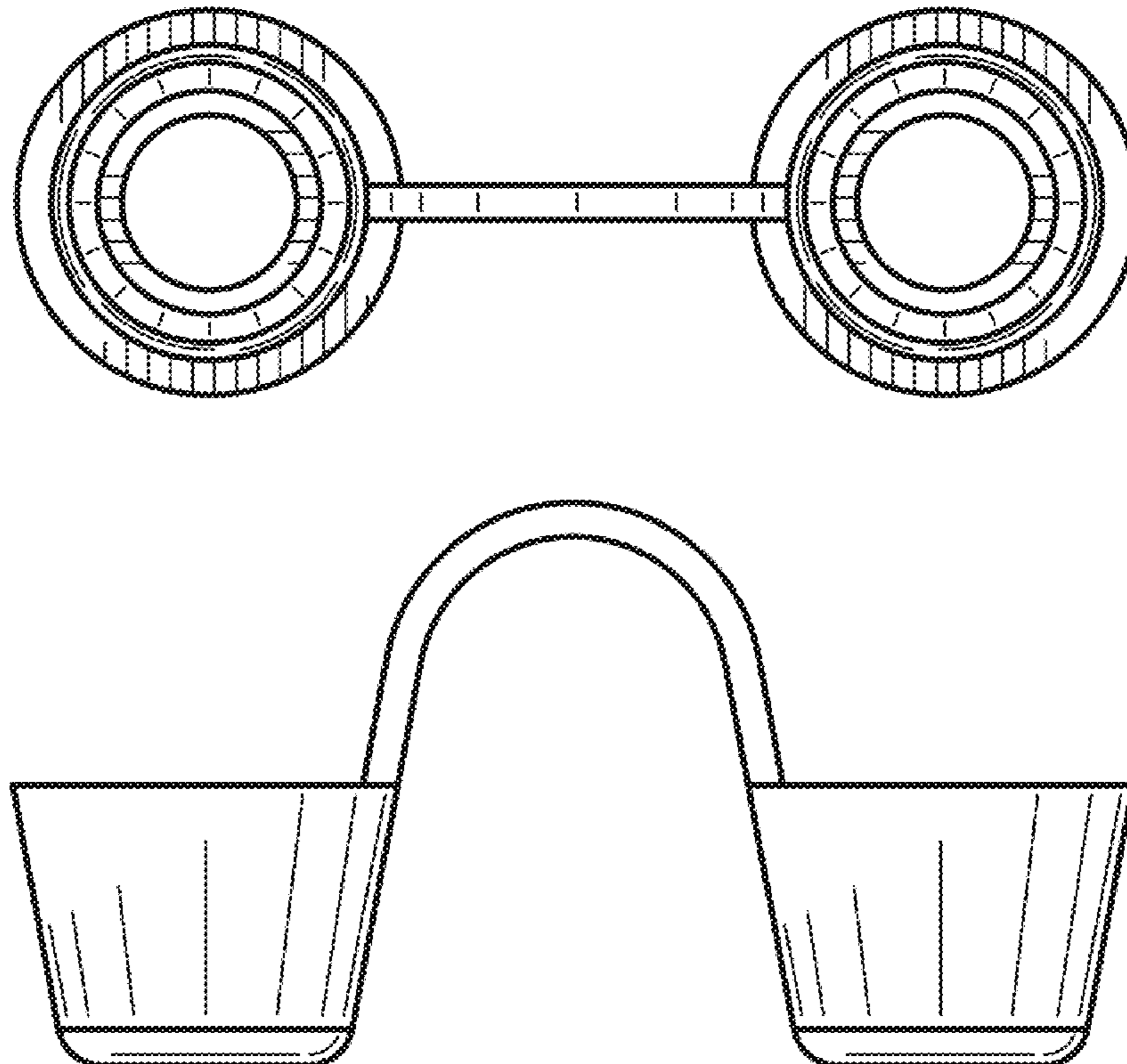
(57) **CLAIM**

The ornamental design for a nasal dilator, as shown and described.

**DESCRIPTION**

FIG. 1 is a front and top perspective view of a nasal dilator showing my new design;  
FIG. 2 is a bottom perspective view thereof;  
FIG. 3 is a right side view thereof; the left side view being a mirror image thereof;  
FIG. 4 is a top plan view thereof;  
FIG. 5 is a bottom plan view thereof; and,  
FIG. 6 is a front elevational view thereof, the rear elevational view being a mirror image thereof.

**1 Claim, 2 Drawing Sheets**



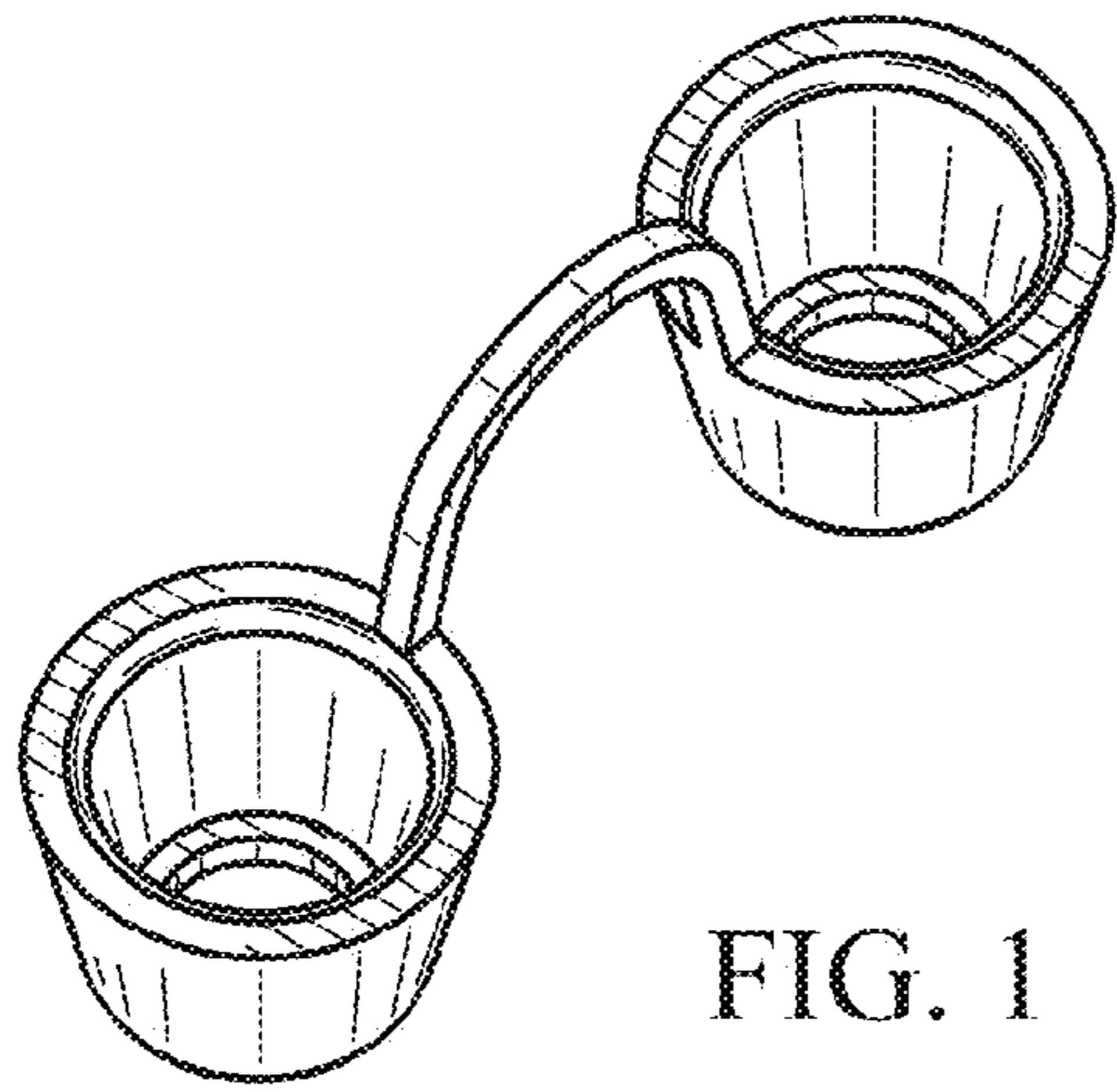


FIG. 1

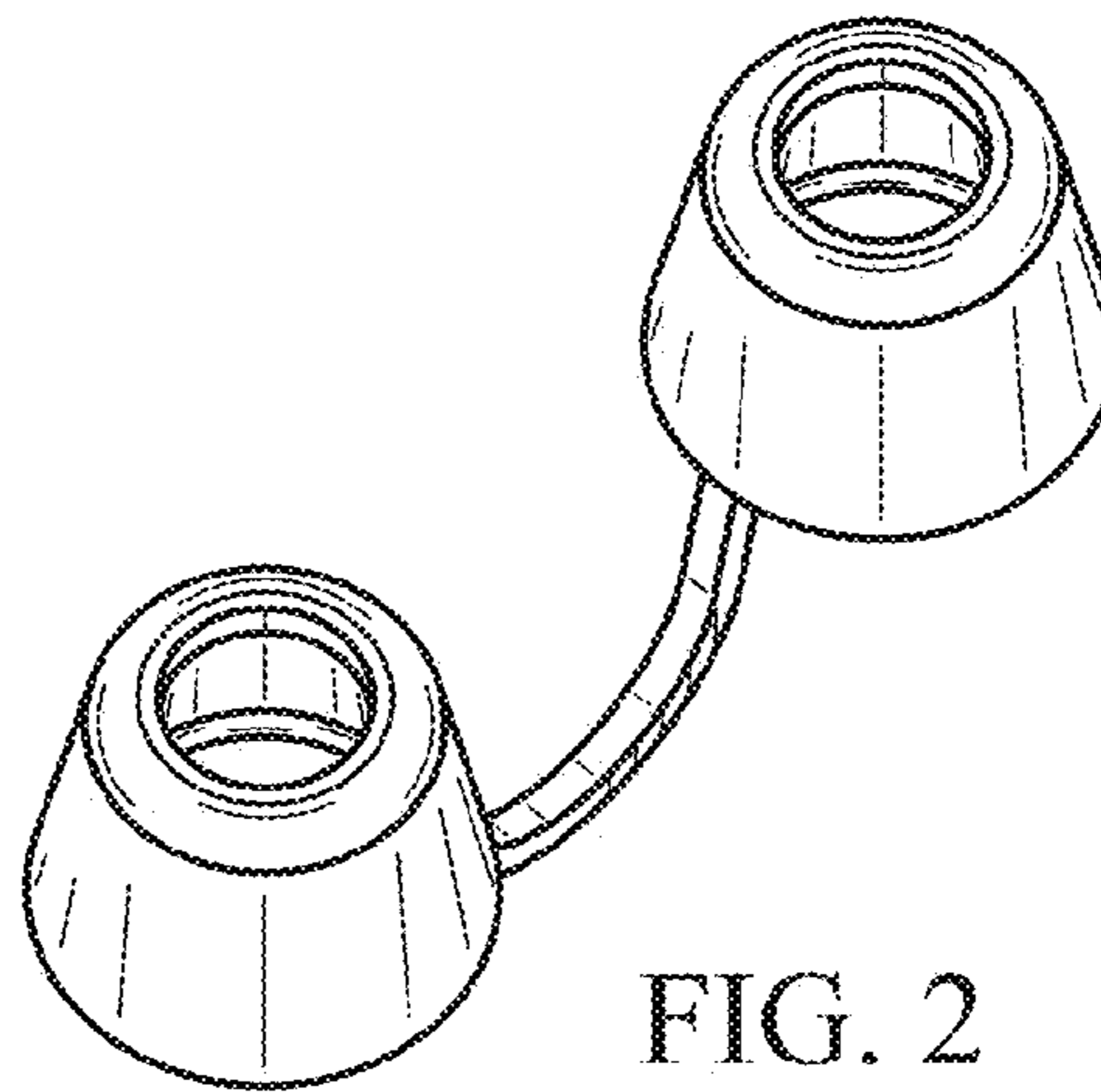


FIG. 2

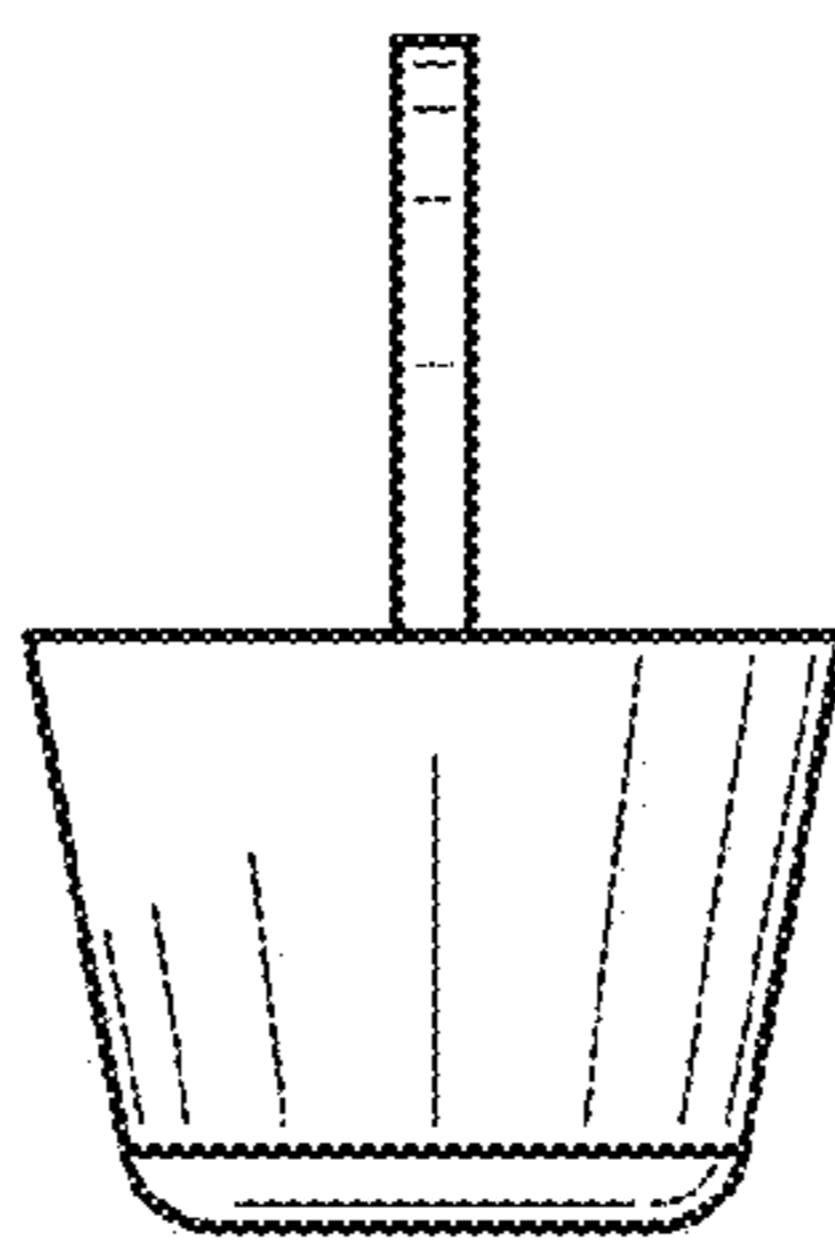


FIG. 3

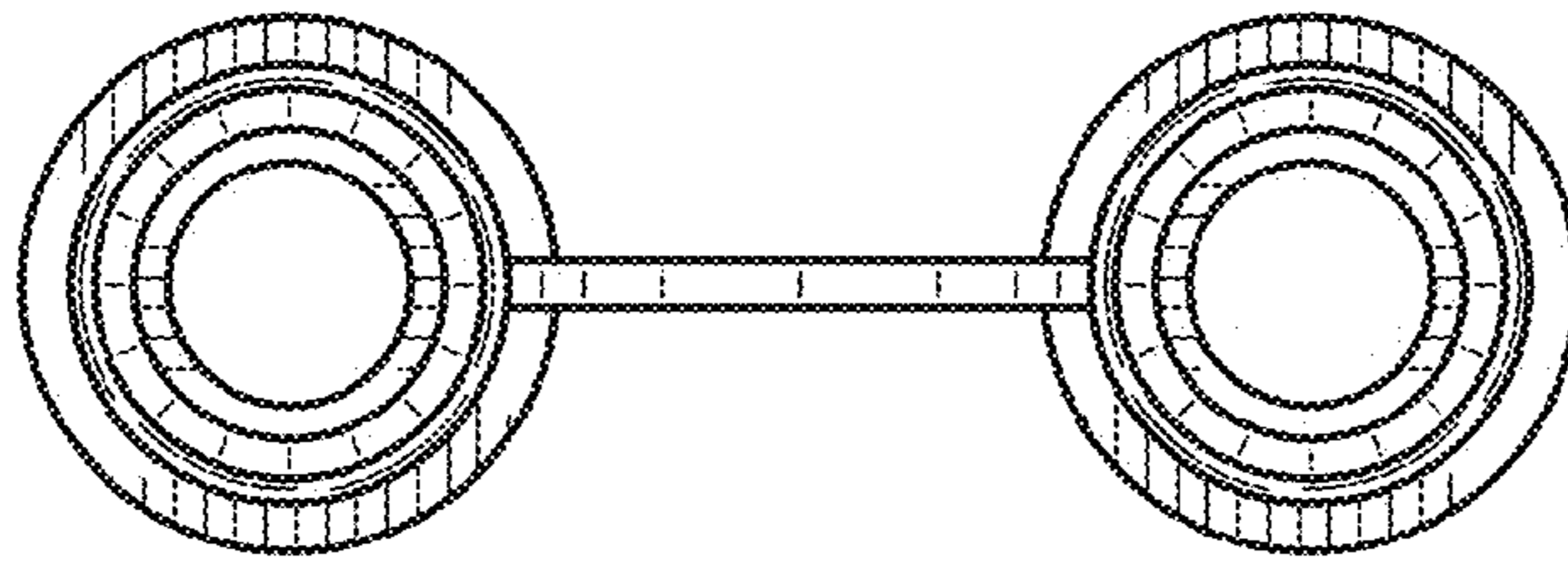


FIG. 4

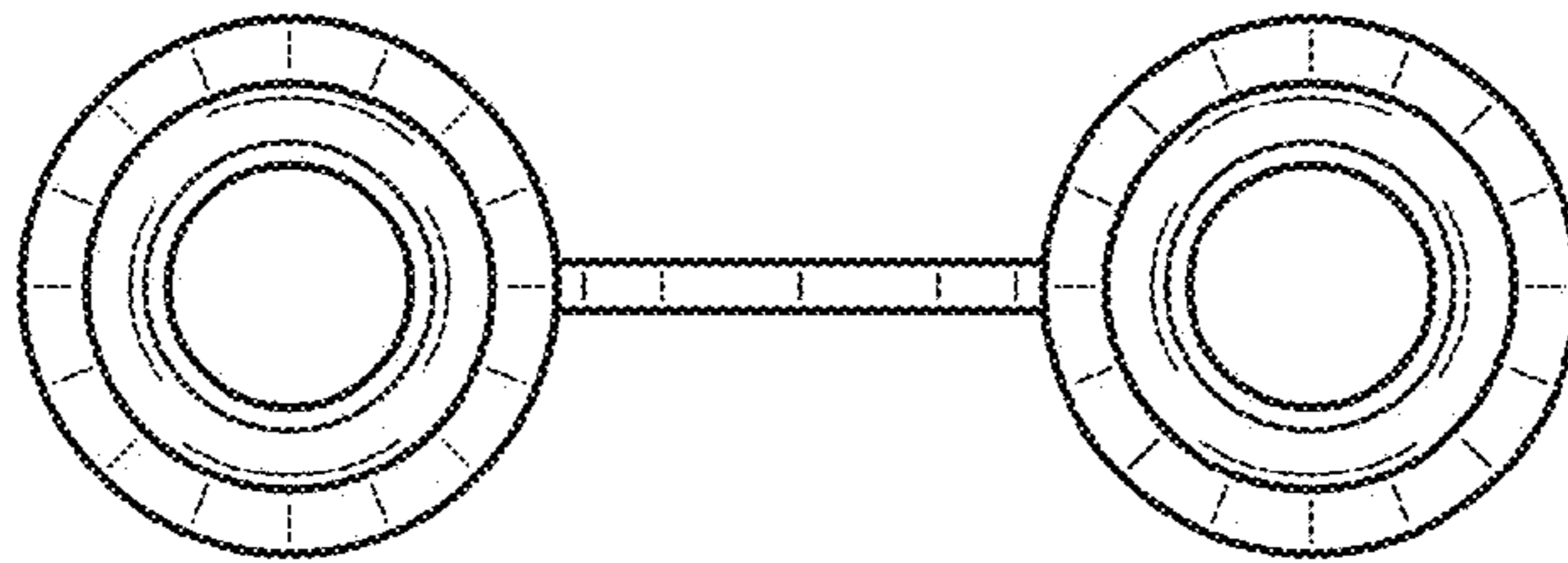


FIG. 5

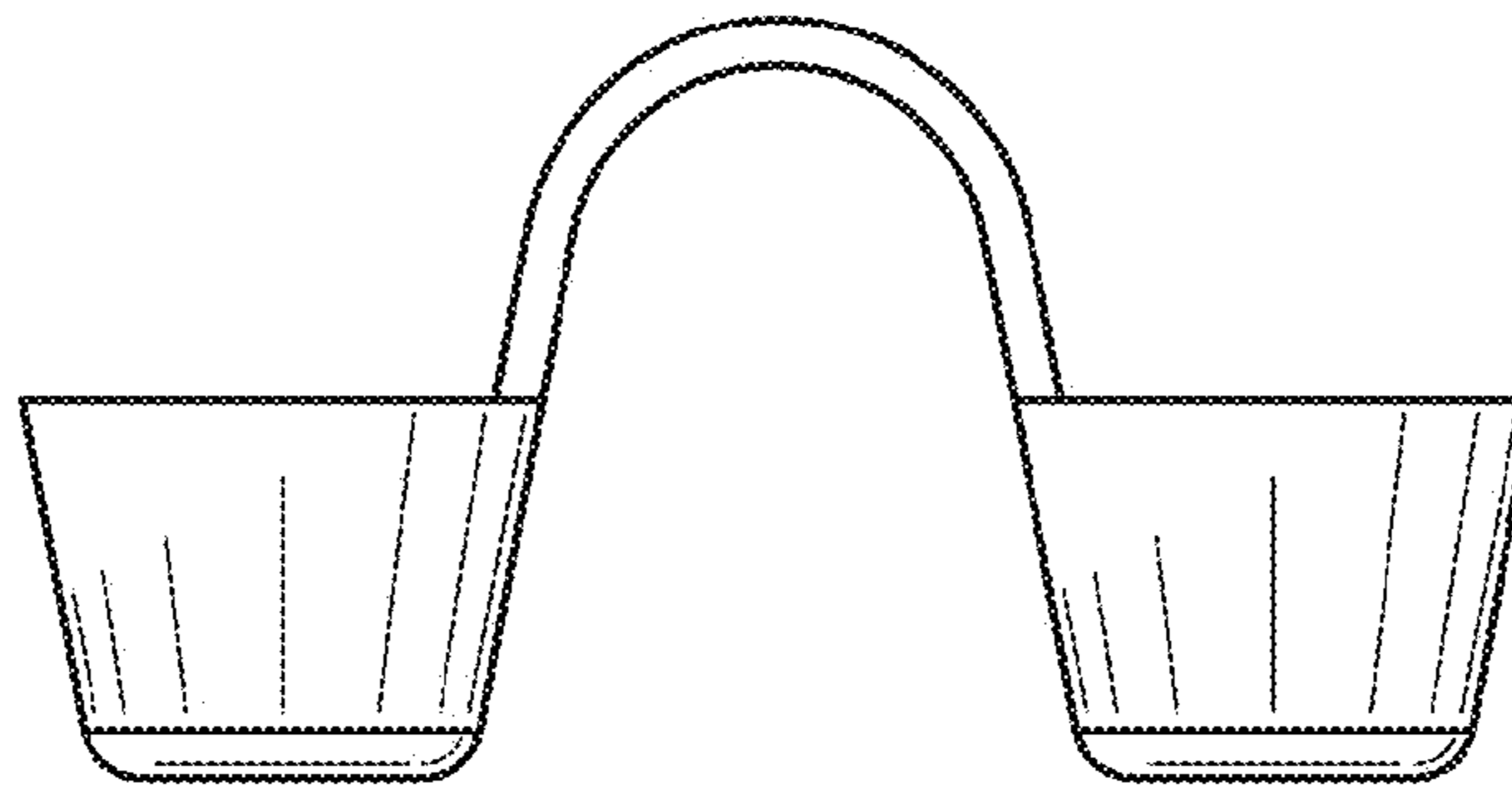


FIG. 6