



US00D713029S

(12) **United States Design Patent**
Shiraishi et al.

(10) **Patent No.:** **US D713,029 S**
(45) **Date of Patent:** **** Sep. 9, 2014**

(54) **SYRINGE CAP**

(71) Applicant: **Taisei Kako Co., Ltd.**, Osaka (JP)

(72) Inventors: **Yasuyuki Shiraishi**, Osaka (JP); **Taiji Horita**, Osaka (JP); **Ippei Matsumoto**, Osaka (JP); **Kensuke Taniguchi**, Osaka (JP)

(73) Assignee: **Taisei Kako Co., Ltd.**, Osaka (JP)

(**) Term: **14 Years**

(21) Appl. No.: **29/467,052**

(22) Filed: **Sep. 13, 2013**

(30) **Foreign Application Priority Data**

Jun. 20, 2013 (JP) 2013-013999

(51) **LOC (10) Cl.** **24-02**

(52) **U.S. Cl.**
USPC **D24/130**

(58) **Field of Classification Search**

USPC D24/112-114, 129, 130, 127, 133, 186,
D24/108; 606/181, 185; 604/264, 500, 506,
604/272, 115, 164.01-164.09, 533, 232,
604/187, 168.01, 192, 19, 48, 93.01, 523,
604/524, 526; 600/101, 139, 143;
128/200.24, 207.14, 207.15

See application file for complete search history.

(56) **References Cited**

U.S. PATENT DOCUMENTS

D300,561 S * 4/1989 Asa et al. D24/112
5,250,037 A * 10/1993 Bitdinger 604/192

D452,311 S * 12/2001 Guala D24/112
D457,954 S * 5/2002 Wallace et al. D24/130
D460,178 S * 7/2002 Courteix D24/130
D461,244 S * 8/2002 Niermann D24/130
D461,557 S * 8/2002 Courteix D24/130
D469,178 S * 1/2003 Courteix D24/130
6,551,286 B1 * 4/2003 Claessens 604/263
D581,049 S * 11/2008 Sudo D24/130
D612,493 S * 3/2010 Claessens et al. D24/130
D676,552 S * 2/2013 McLoughlin et al. D24/130
D688,796 S * 8/2013 Niunoya et al. D24/127

* cited by examiner

Primary Examiner — David Muller

(74) *Attorney, Agent, or Firm* — Dennis R. Haszko

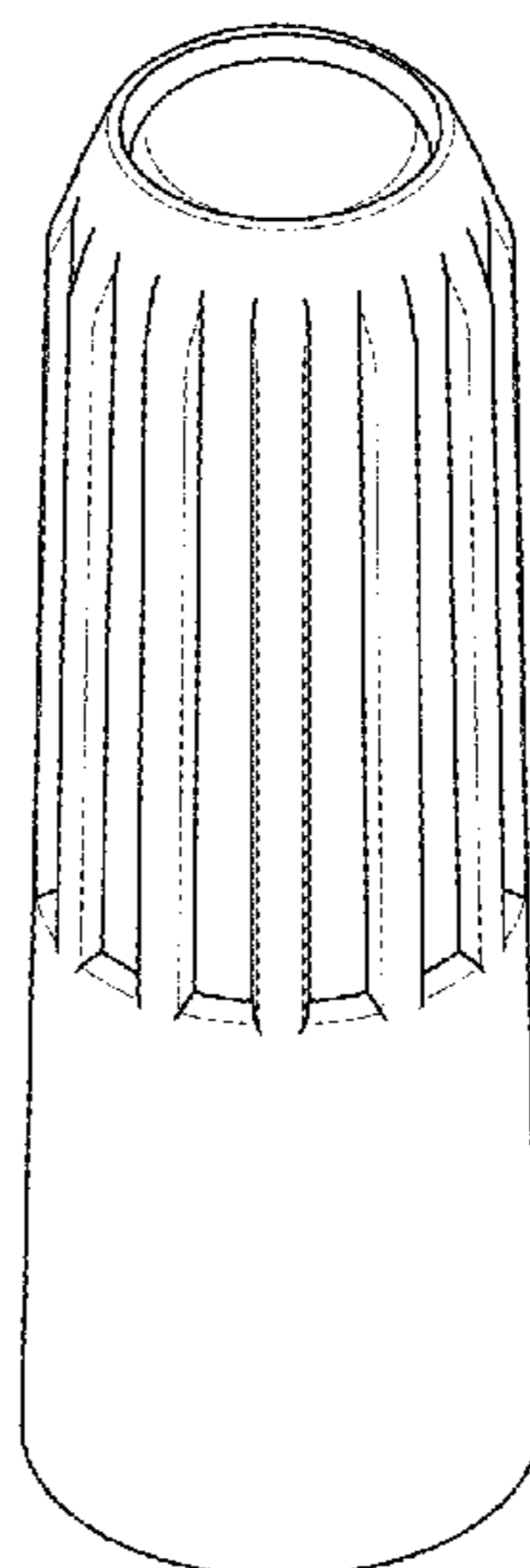
(57) **CLAIM**

The ornamental design for a syringe cap, as shown and described.

DESCRIPTION

FIG. 1 is a perspective view of the syringe cap;
FIG. 2 is a perspective view thereof;
FIG. 3 is a front view thereof, the rear view being identical;
FIG. 4 is a top view thereof;
FIG. 5 is a bottom view thereof;
FIG. 6 is a right side view view thereof, the left side view being identical;
FIG. 7 is an enlarged sectional view taken along line 7-7 of FIG. 3;
FIG. 8 is an enlarged sectional view taken along line 8-8 of FIG. 3; and,
FIG. 9 is a reference view showing the actual use of the syringe cap.
The portions shown in broken lines do not form part of the design.

1 Claim, 5 Drawing Sheets



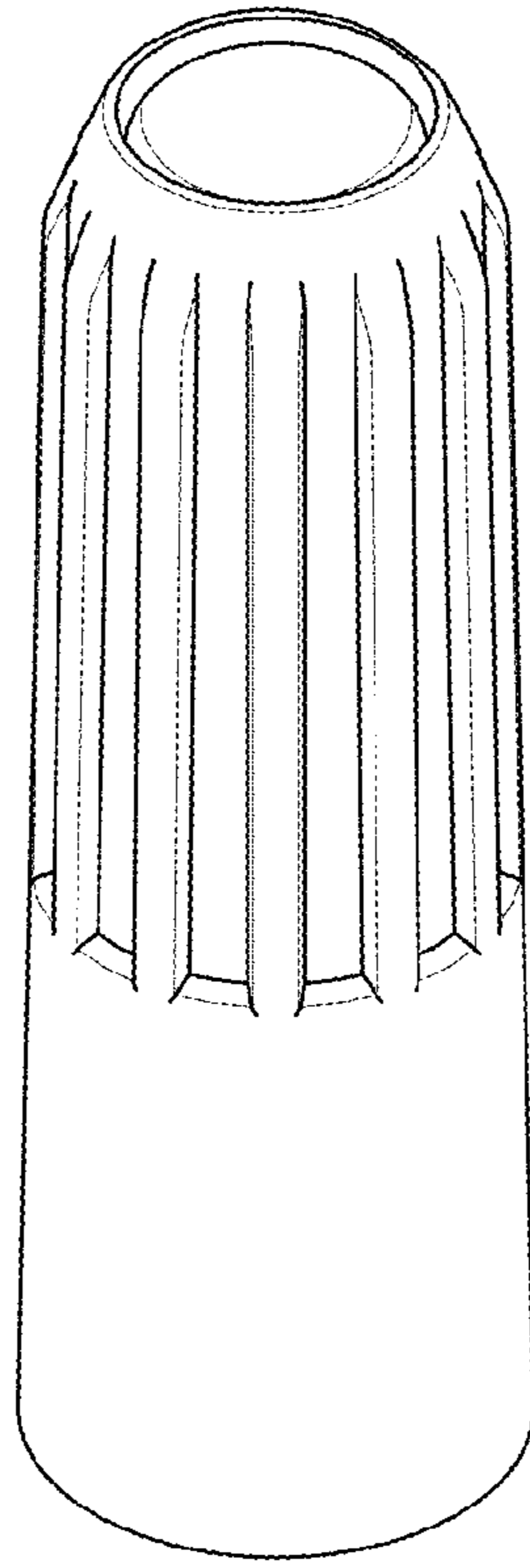


FIG. 1

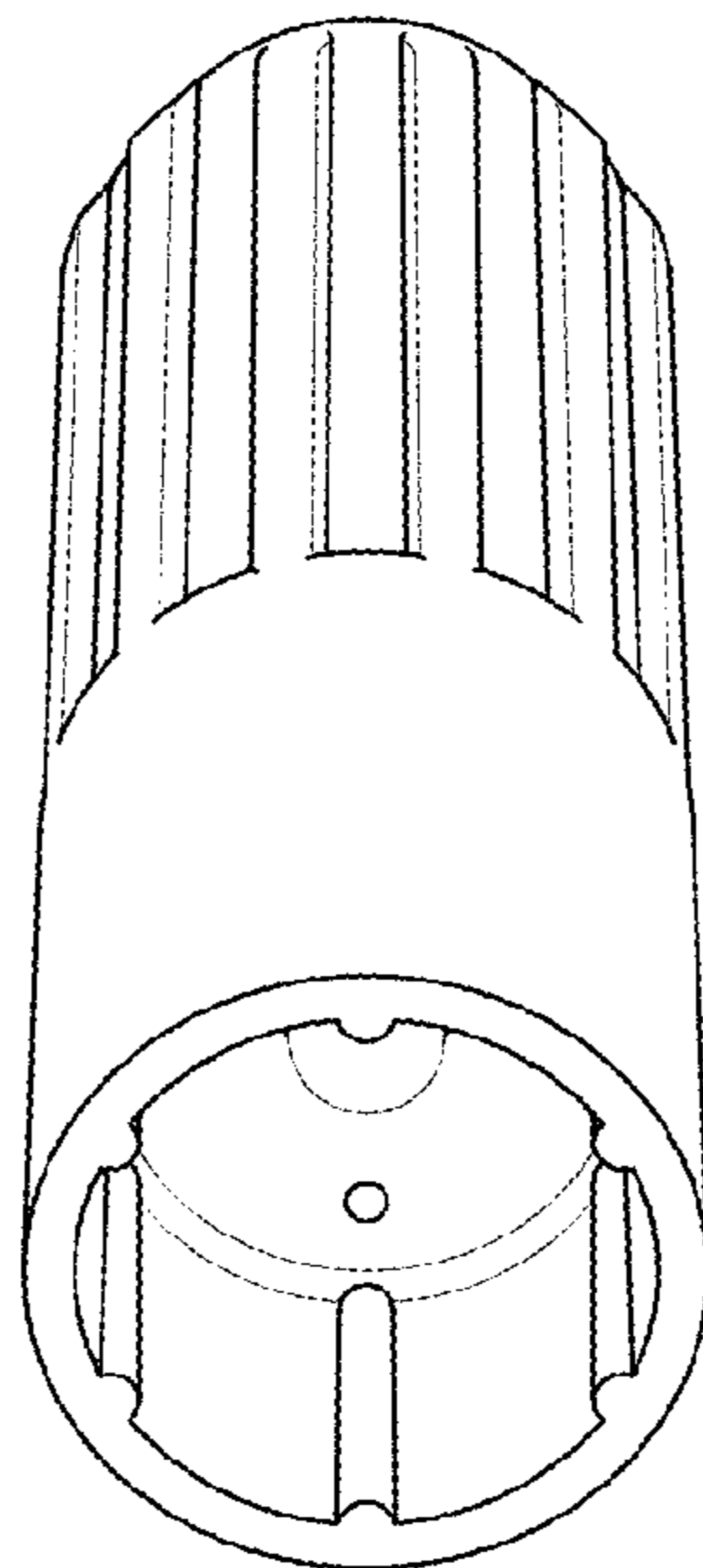


FIG. 2

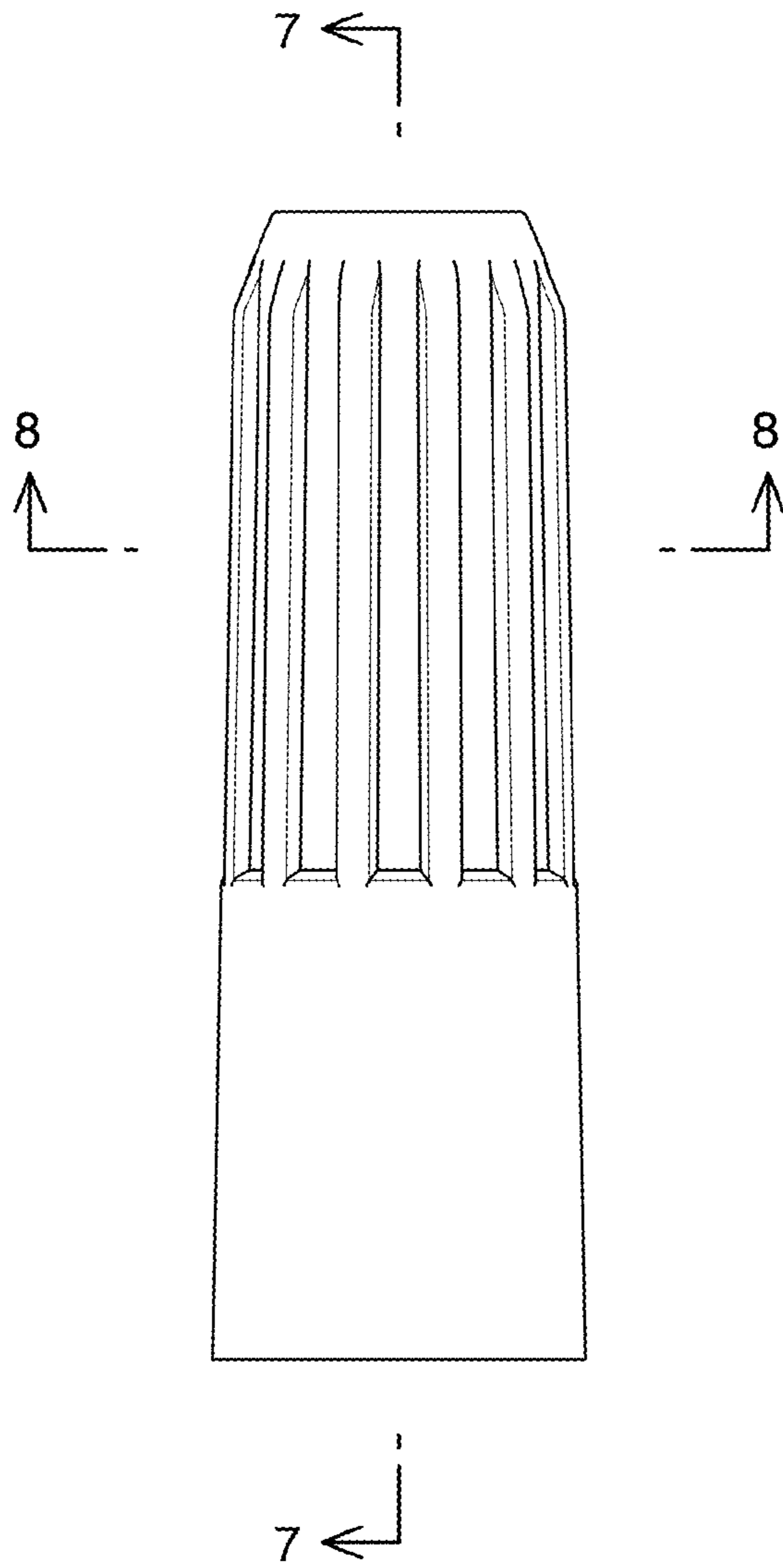


FIG.3

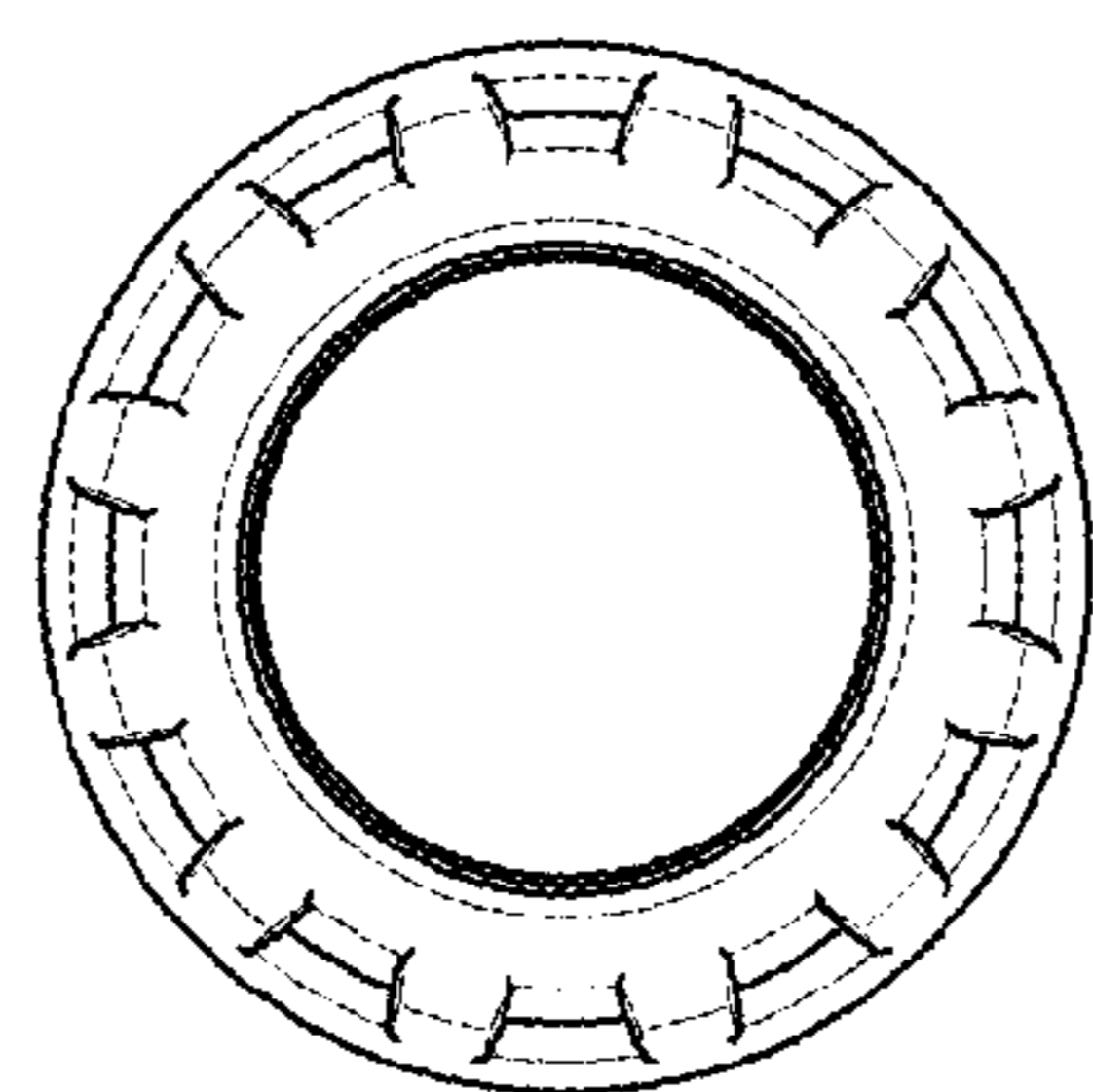


FIG.4

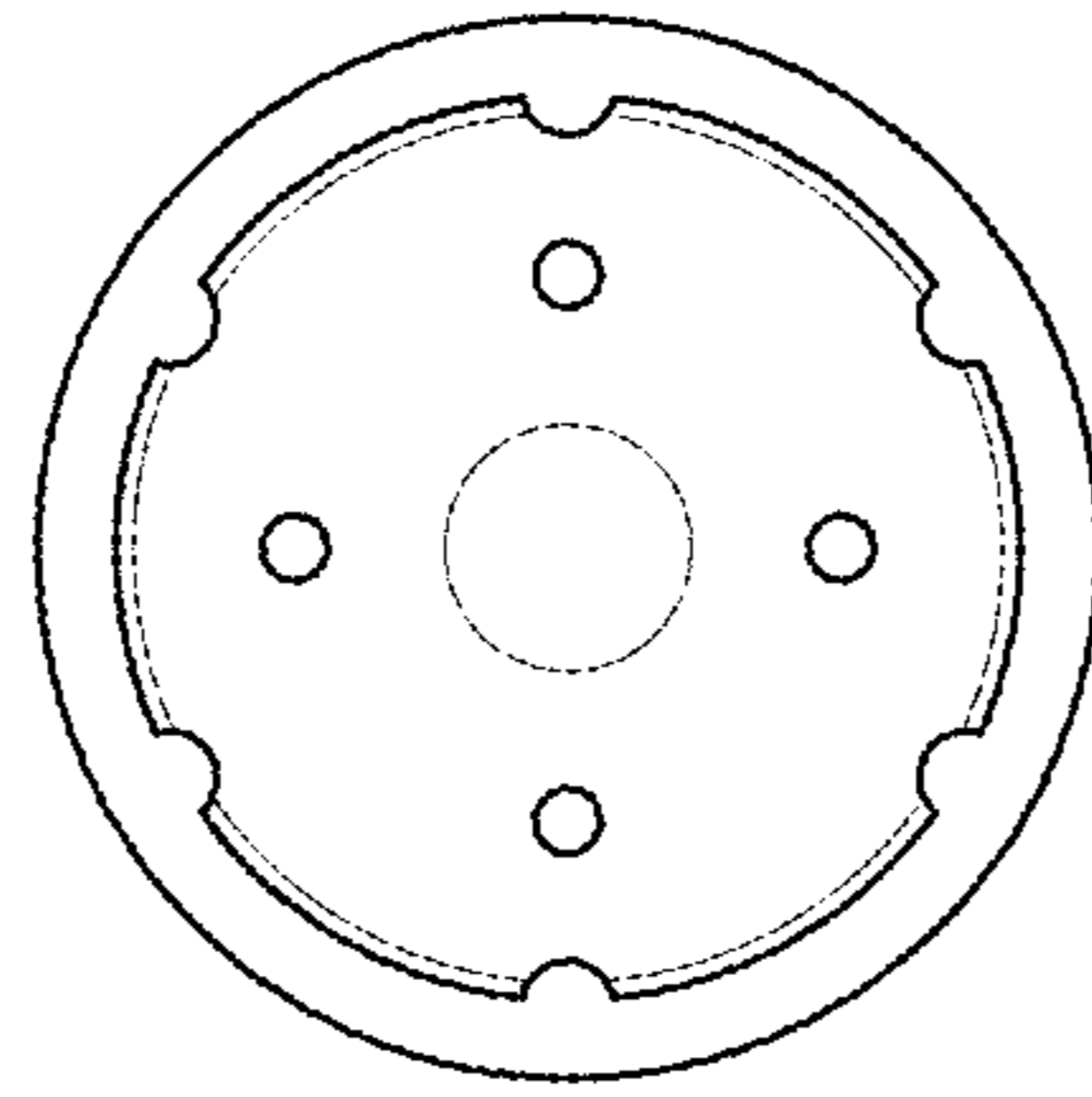


FIG. 5

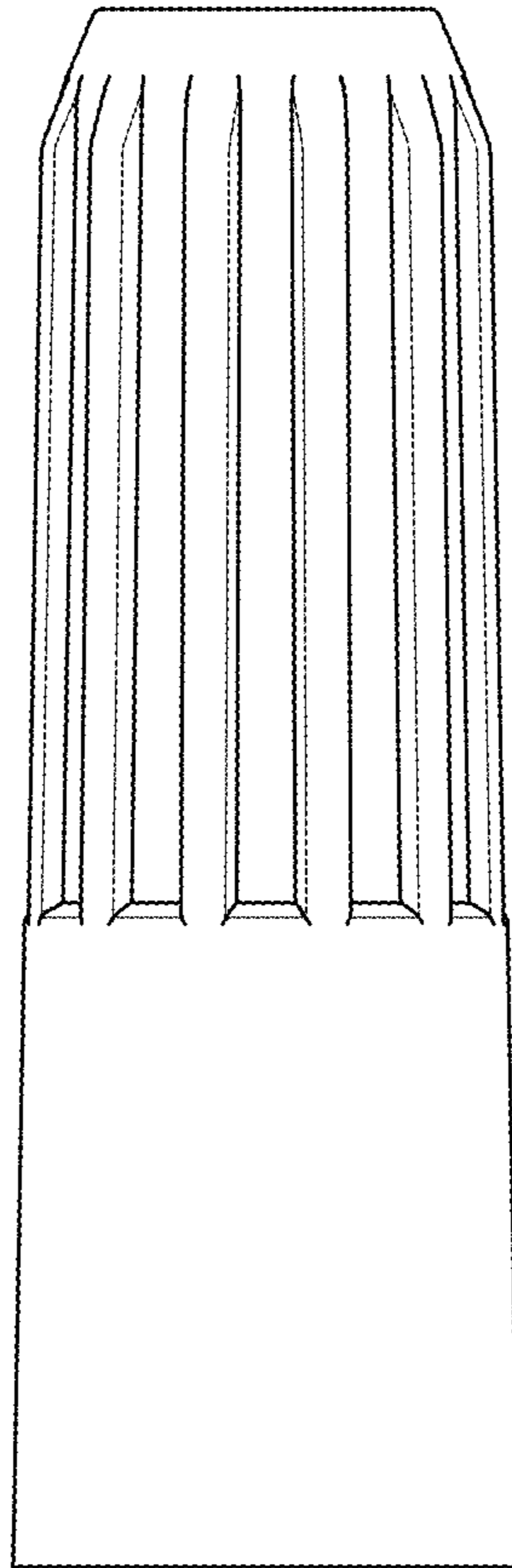


FIG. 6

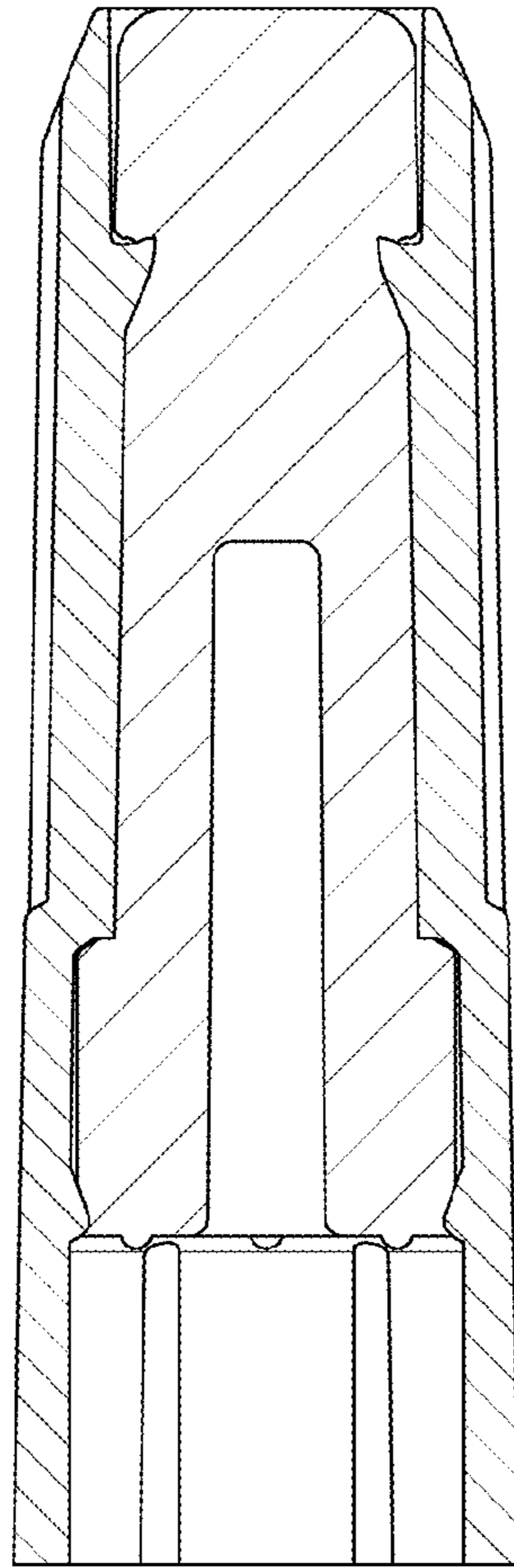


FIG. 7

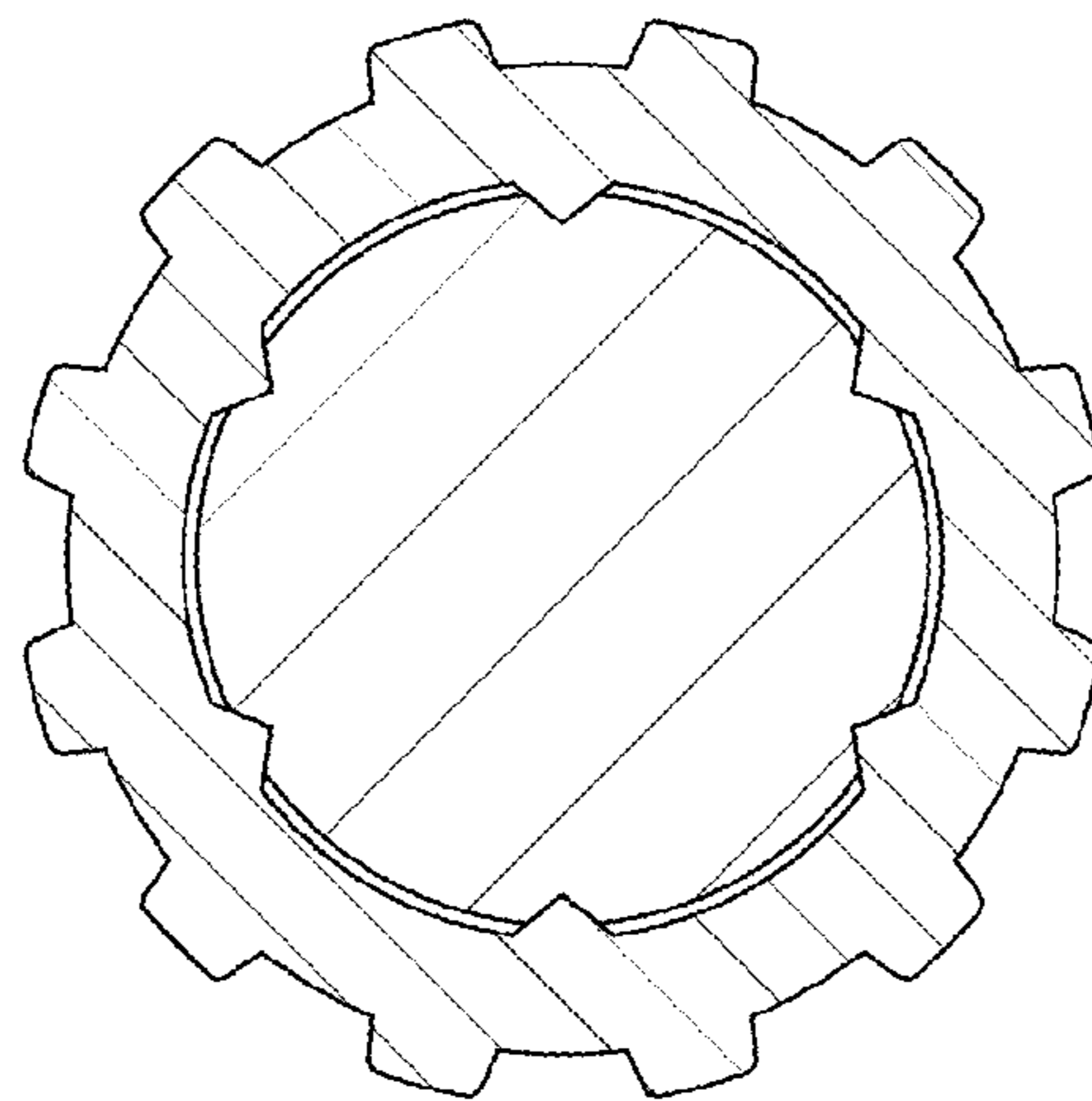


FIG. 8

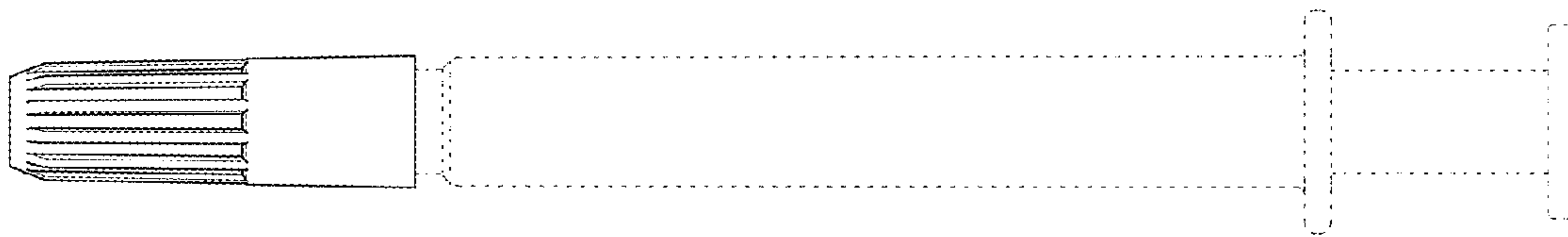


FIG.9