



US00D713027S

(12) **United States Design Patent**  
**Adams**

(10) **Patent No.:** **US D713,027 S**  
(45) **Date of Patent:** **\*\* Sep. 9, 2014**

(54) **SUCTION PROBE**  
(71) Applicant: **Jason P. Adams**, Farmington, NM (US)  
(72) Inventor: **Jason P. Adams**, Farmington, NM (US)  
(\*\*) Term: **14 Years**  
(21) Appl. No.: **29/452,752**

4,212,300	A *	7/1980	Meals	604/119
4,430,073	A *	2/1984	Bemis et al.	604/119
4,451,257	A *	5/1984	Atchley	604/119
4,610,664	A *	9/1986	Harle	604/119
5,447,494	A *	9/1995	Dorsey, III	604/119
5,868,563	A *	2/1999	Davis et al.	433/29
6,306,135	B1 *	10/2001	Ellman et al.	606/45
6,908,455	B2 *	6/2005	Hajianpour	604/266
6,986,757	B1 *	1/2006	Kumasaki et al.	604/119
D571,458	S *	6/2008	Kataoka et al.	D24/108
8,398,591	B2 *	3/2013	Mas et al.	604/119

(22) Filed: **Apr. 22, 2013**  
(51) **LOC (10) Cl.** ..... **24-02**  
(52) **U.S. Cl.**  
USPC ..... **D24/112**  
(58) **Field of Classification Search**  
USPC ..... D24/112-114, 130, 127, 133, 186, 108;  
606/181, 185; 604/119, 264, 272, 115,  
604/164.01-164.09, 533, 232, 187, 168.01,  
604/192, 19, 48, 93.01, 523, 524, 526;  
600/101, 139, 143; 128/200.24,  
128/207.14, 207.15  
See application file for complete search history.

\* cited by examiner

*Primary Examiner* — David Muller  
(74) *Attorney, Agent, or Firm* — Pate Baird, PLLC

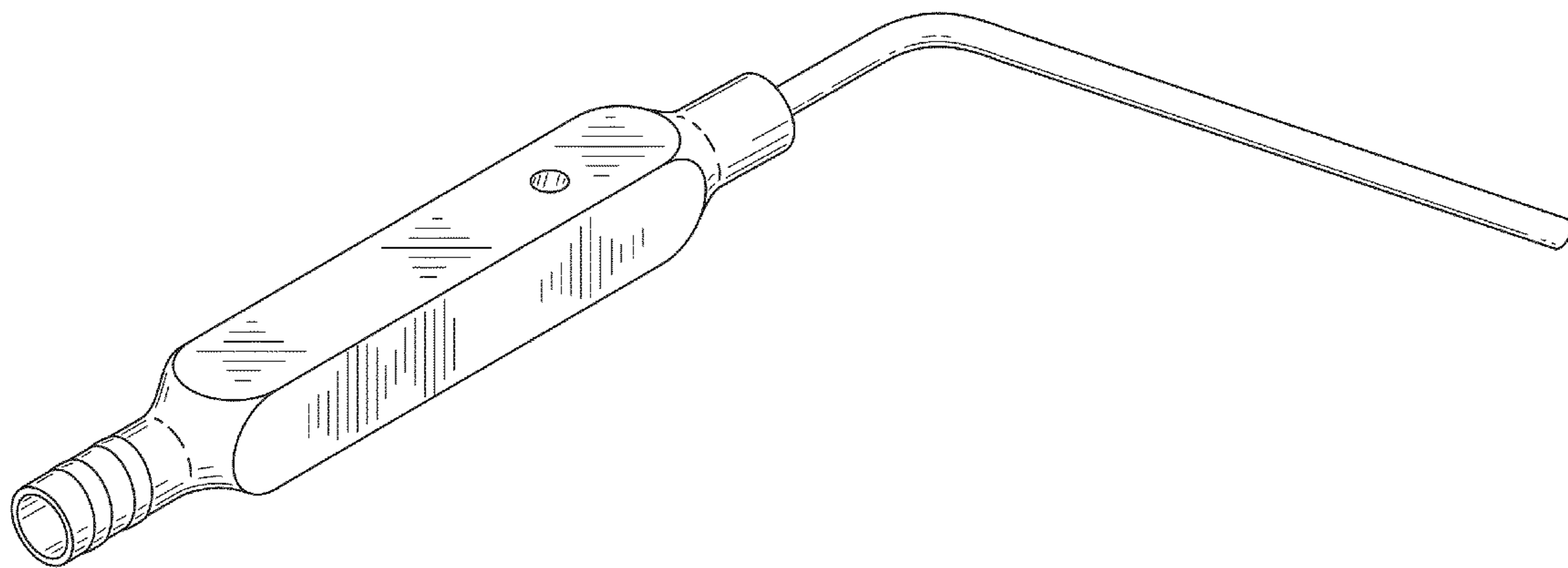
(57) **CLAIM**  
The ornamental design for a suction probe, as shown and described.

**DESCRIPTION**

FIG. 1 is an isometric view thereof;  
FIG. 2 is a top plan view thereof;  
FIG. 3 is a bottom plan view thereof;  
FIG. 4 is a right side elevation view thereof;  
FIG. 5 is a left side elevation view thereof;  
FIG. 6 is a rear, end, elevation view thereof;  
FIG. 7 is a front, end, elevation view thereof; and,  
FIG. 8 is a right, side, elevation, cross-sectional view thereof.

(56) **References Cited**  
U.S. PATENT DOCUMENTS  
4,049,000 A \* 9/1977 Williams ..... 604/119  
D247,915 S \* 5/1978 Lahay ..... D24/112

**1 Claim, 6 Drawing Sheets**



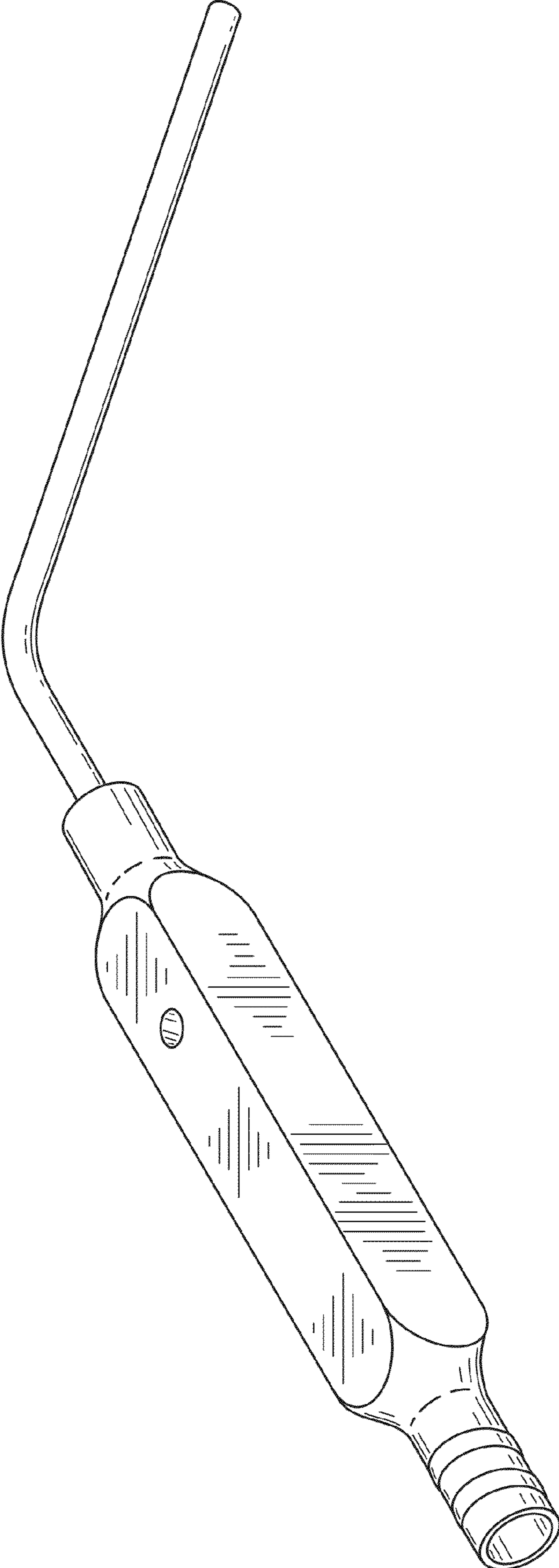


FIG. 1

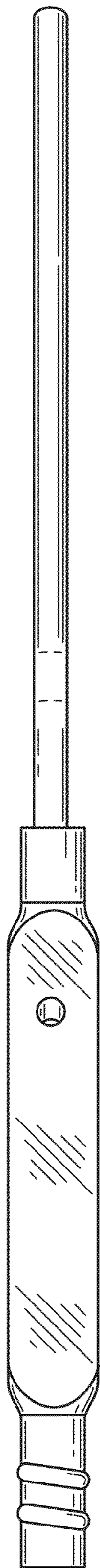


FIG. 2

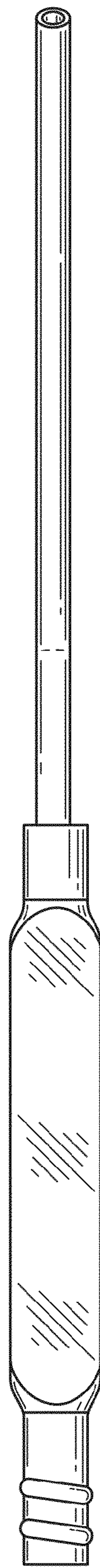


FIG. 3

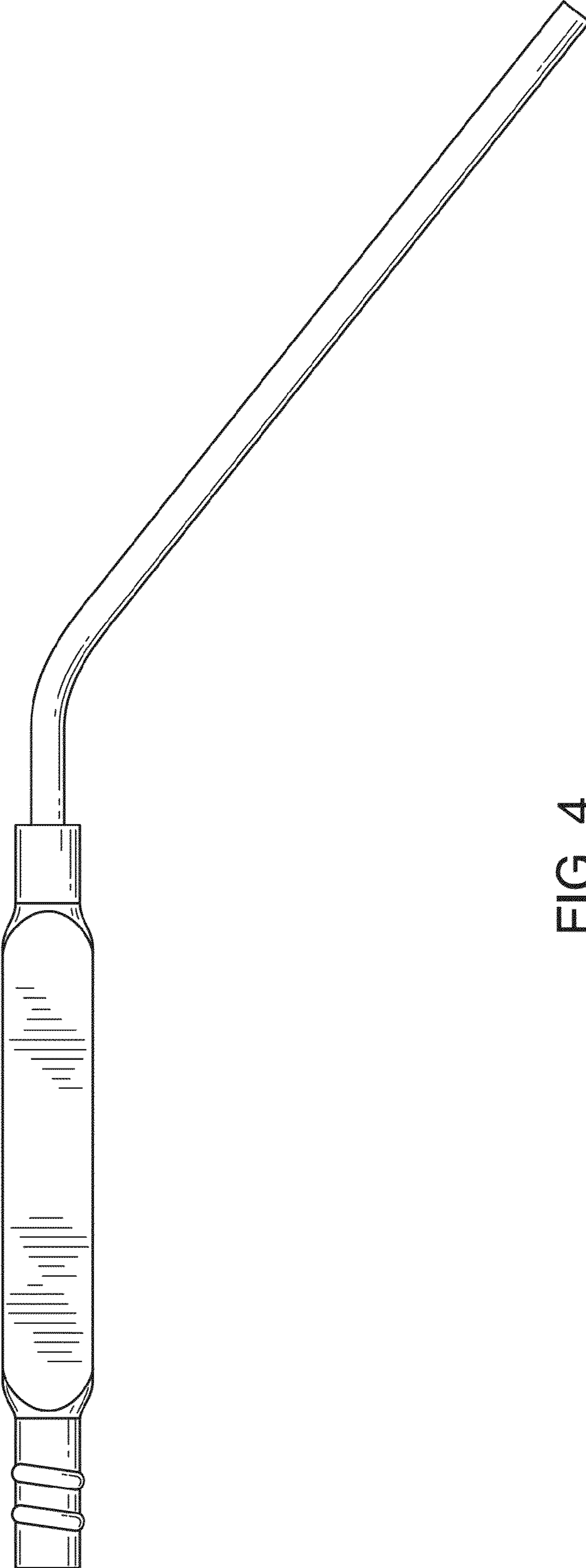


FIG. 4

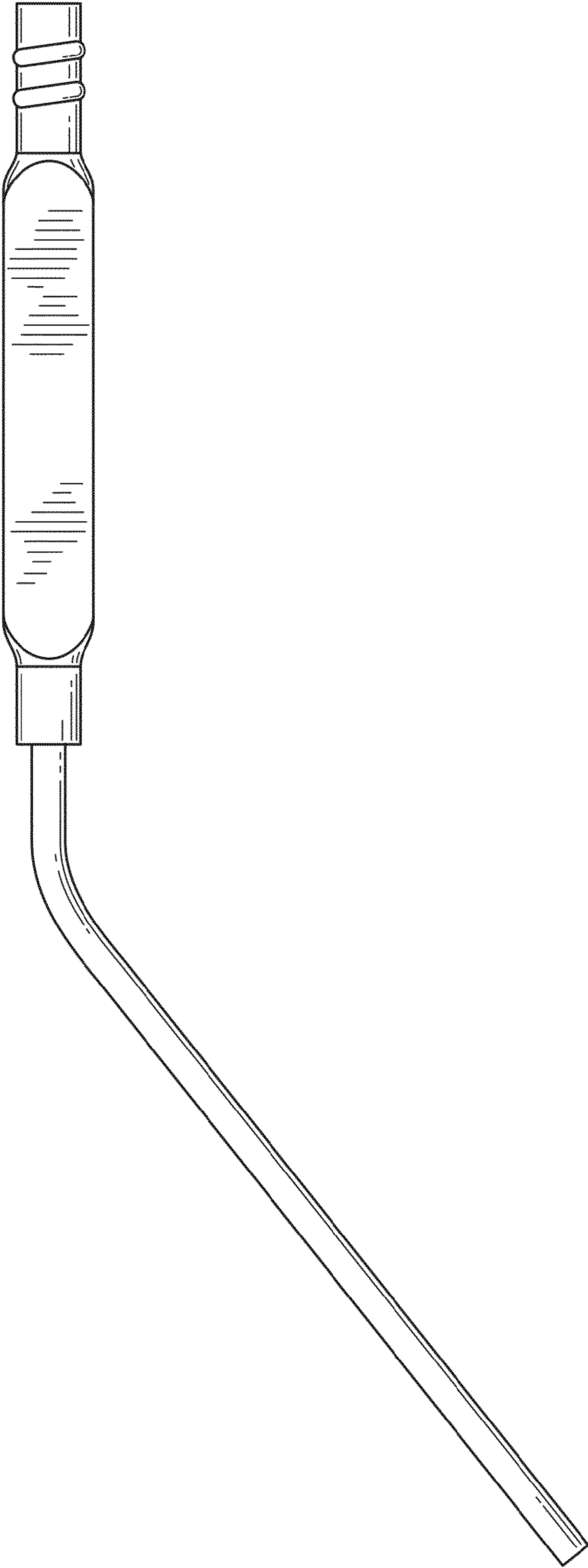


FIG. 5

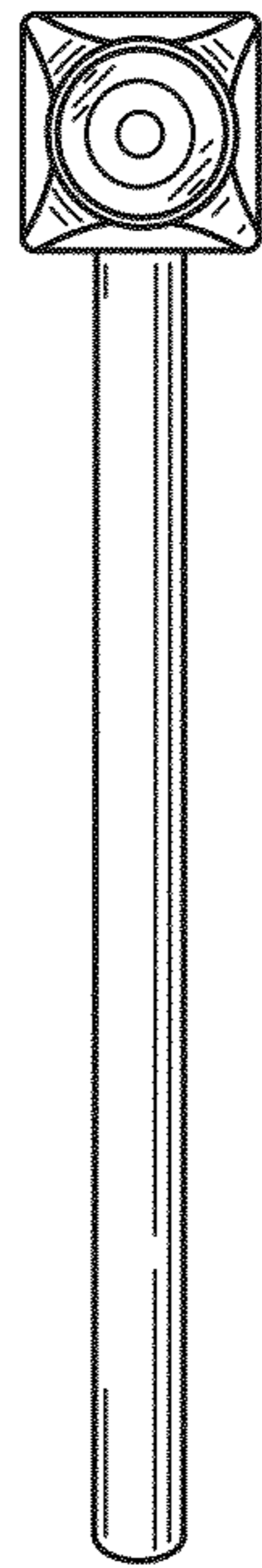


FIG. 6

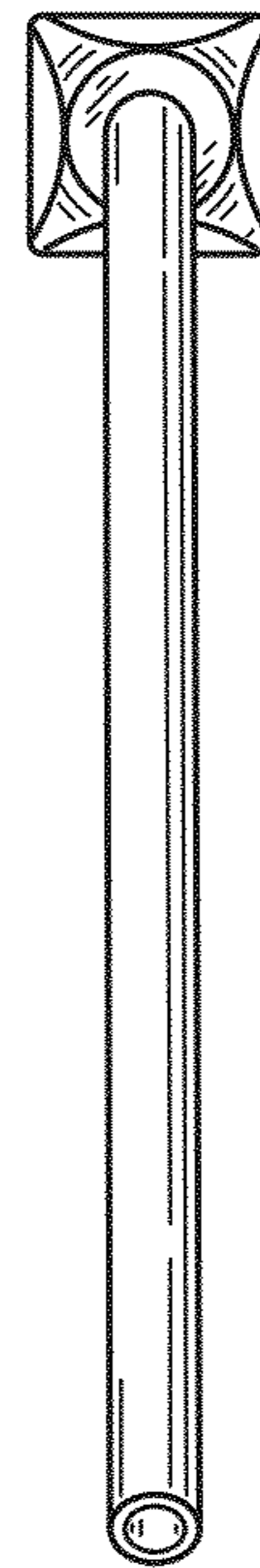


FIG. 7

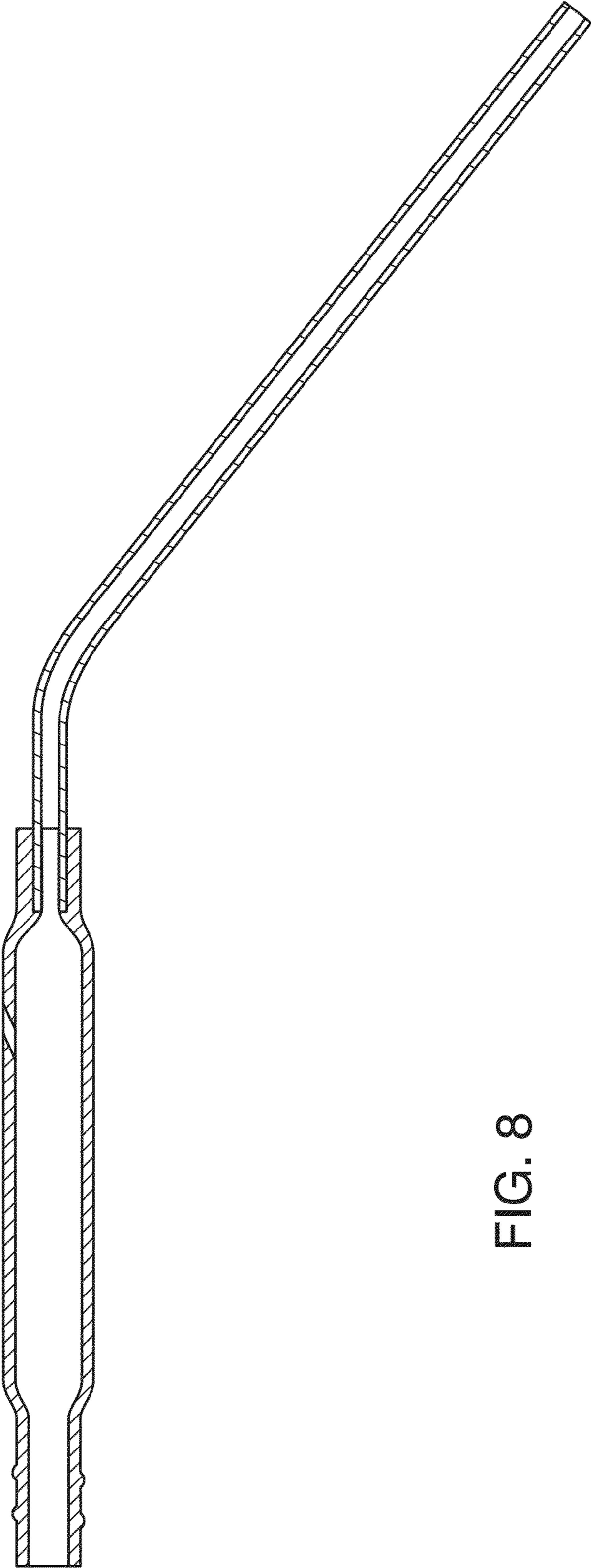


FIG. 8