



US00D713026S

(12) **United States Design Patent**
Glasbrenner

(10) **Patent No.:** **US D713,026 S**

(45) **Date of Patent:** **** Sep. 9, 2014**

(54) **CEILING FAN MOTOR HOUSING AND LIGHT KIT**

(71) Applicant: **Air Cool Industrial Co., Ltd.**, Taichung (TW)

(72) Inventor: **Brian Glasbrenner**, Smyrna, GA (US)

(73) Assignee: **Air Cool Industrial Co., Ltd.**, Taichung (TW)

(**) Term: **14 Years**

(21) Appl. No.: **29/435,800**

(22) Filed: **Oct. 29, 2012**

(51) **LOC (10) Cl.** **23-04**

(52) **U.S. Cl.**
USPC **D23/411**; D26/59

(58) **Field of Classification Search**
CPC ... F04D 25/088; F04D 29/005; F04D 29/601;
F21V 33/0096; F21V 5/01; F21V 1/00;
F21V 7/0008; F21V 15/01; F21V 21/02;
F21V 21/03; F21V 21/049; F24F 3/056;
E04F 2290/026
USPC D23/411–414, 324, 331, 343, 385,
D23/370–384, 387, 499; D26/59, 72, 51,
D26/73, 80–83, 84–86, 88, 90; 416/5, 170 R,
416/214 R, 184, 206, 207, 210 R, 220 R,
416/244 R, 248; 392/361, 364; 362/96, 147,
362/294, 404

See application file for complete search history.

(56) **References Cited**

U.S. PATENT DOCUMENTS

D48,376 S *	1/1916	Harter	D26/90
D50,178 S *	1/1917	Bayley	D26/88
D94,686 S *	2/1935	Guild et al.	D26/88
D346,859 S *	5/1994	DiPasquale	D23/411
D352,997 S *	11/1994	DiPasquale	D23/411

D355,046 S *	1/1995	Corsi	D26/134
D378,403 S *	3/1997	Jaspers-Fayer	D23/377
D395,141 S *	6/1998	Jaspers-Fayer	D23/377
D412,975 S *	8/1999	Jaspers-Fayer et al.	D23/377
D438,334 S *	2/2001	Dolan	D26/134
D452,307 S *	12/2001	Dolan	D23/411
D453,218 S *	1/2002	Hidalgo	D23/377
D470,931 S *	2/2003	Hidalgo	D23/377
D480,129 S *	9/2003	Curtin	D23/377
6,631,243 B2 *	10/2003	Reiker	392/364
D483,848 S *	12/2003	Tai	D23/377
D483,850 S *	12/2003	Tai	D23/377
D484,588 S *	12/2003	Tai	D23/377
6,659,721 B1 *	12/2003	Parker et al.	416/5
D522,645 S *	6/2006	Ertze	D23/411
D523,138 S *	6/2006	Burns	D23/411
D523,950 S *	6/2006	Chen	D23/411
D523,983 S *	6/2006	Hidalgo et al.	D26/59
D525,698 S *	7/2006	Wang	D23/377
D530,416 S *	10/2006	Shurtleff	D23/411

(Continued)

Primary Examiner — Susan Bennett Hattan

Assistant Examiner — Marie Fast Horse

(74) *Attorney, Agent, or Firm* — Ming Chow; Sinorica, LLC

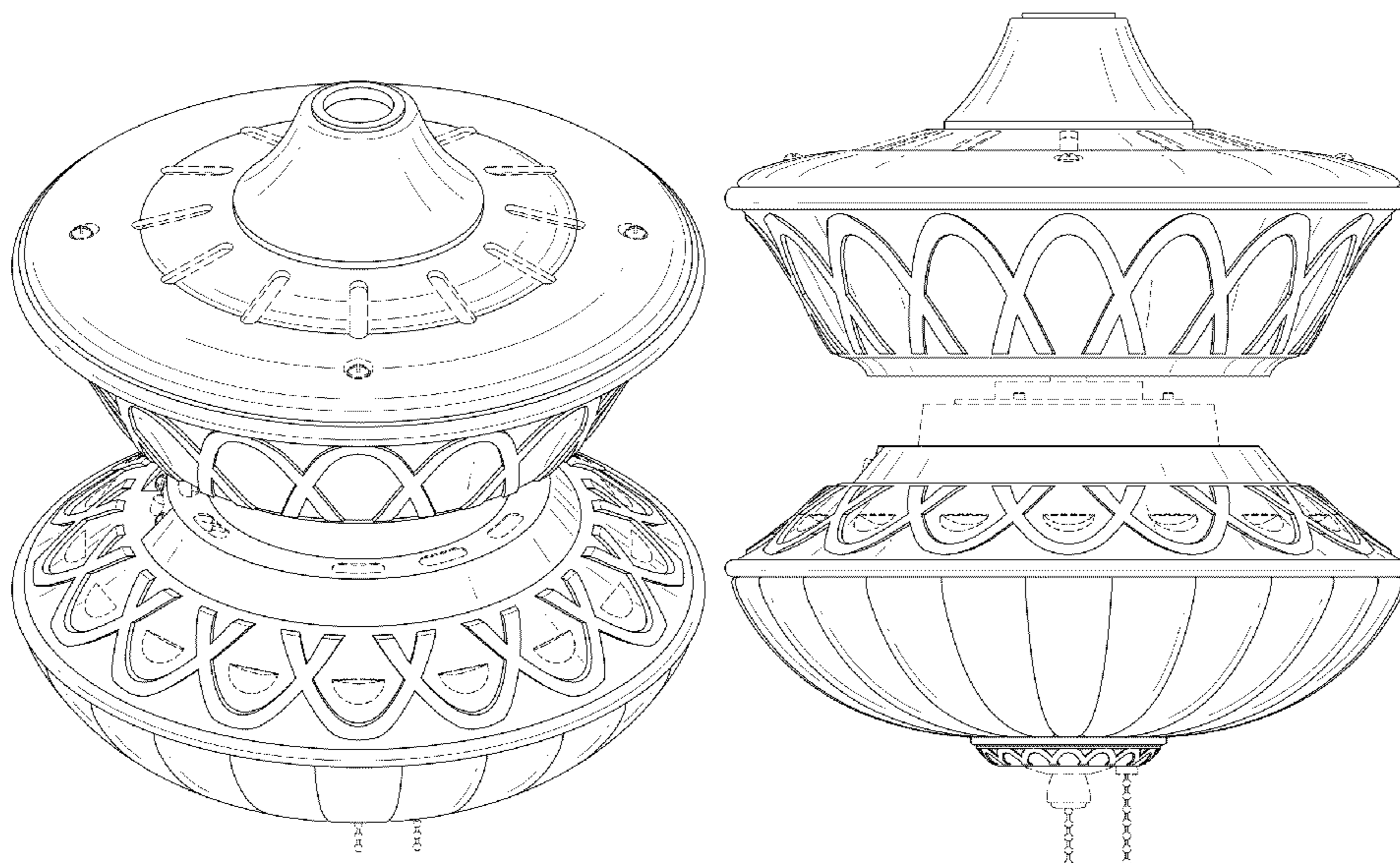
(57) **CLAIM**

I claim the ornamental design for a ceiling fan motor housing with light kit, as shown and described.

DESCRIPTION

FIG. 1 is a front perspective view of a ceiling fan motor housing with light kit showing my new design;
FIG. 2 is a front elevational view thereof;
FIG. 3 is a rear elevational view thereof.
FIG. 4 is a left side elevational view thereof;
FIG. 5 is a right side elevational view thereof;
FIG. 6 is a top plan view thereof; and,
FIG. 7 is a bottom plan view thereof.
The broken lines in the drawings depict environmental subject matter only and form no part of the claimed design.

1 Claim, 5 Drawing Sheets



(56)

References Cited

U.S. PATENT DOCUMENTS

D536,777 S *	2/2007	Hidalgo	D23/377	D557,400 S *	12/2007	Curtin	D23/411
D544,623 S *	6/2007	Pickett	D26/59	D557,793 S *	12/2007	Curtin	D23/411
D547,856 S *	7/2007	Shurtleff	D23/411	D563,592 S *	3/2008	Brookins	D26/89
D550,832 S *	9/2007	Ertze	D23/411	D567,358 S *	4/2008	Curtin	D23/411
D550,874 S *	9/2007	Ertze	D26/59	D570,468 S *	6/2008	Flores	D23/411
D556,882 S *	12/2007	Flores	D23/377	D571,452 S *	6/2008	Ertze	D23/411
D556,887 S *	12/2007	Curtin	D23/411	D599,466 S *	9/2009	Flores	D23/411
D556,944 S *	12/2007	Brookins	D26/144	D602,150 S *	10/2009	Curtin	D23/411
				D614,759 S *	4/2010	Shurtleff	D23/411
				2002/0145867 A1 *	10/2002	Tsuji et al.	362/147

* cited by examiner

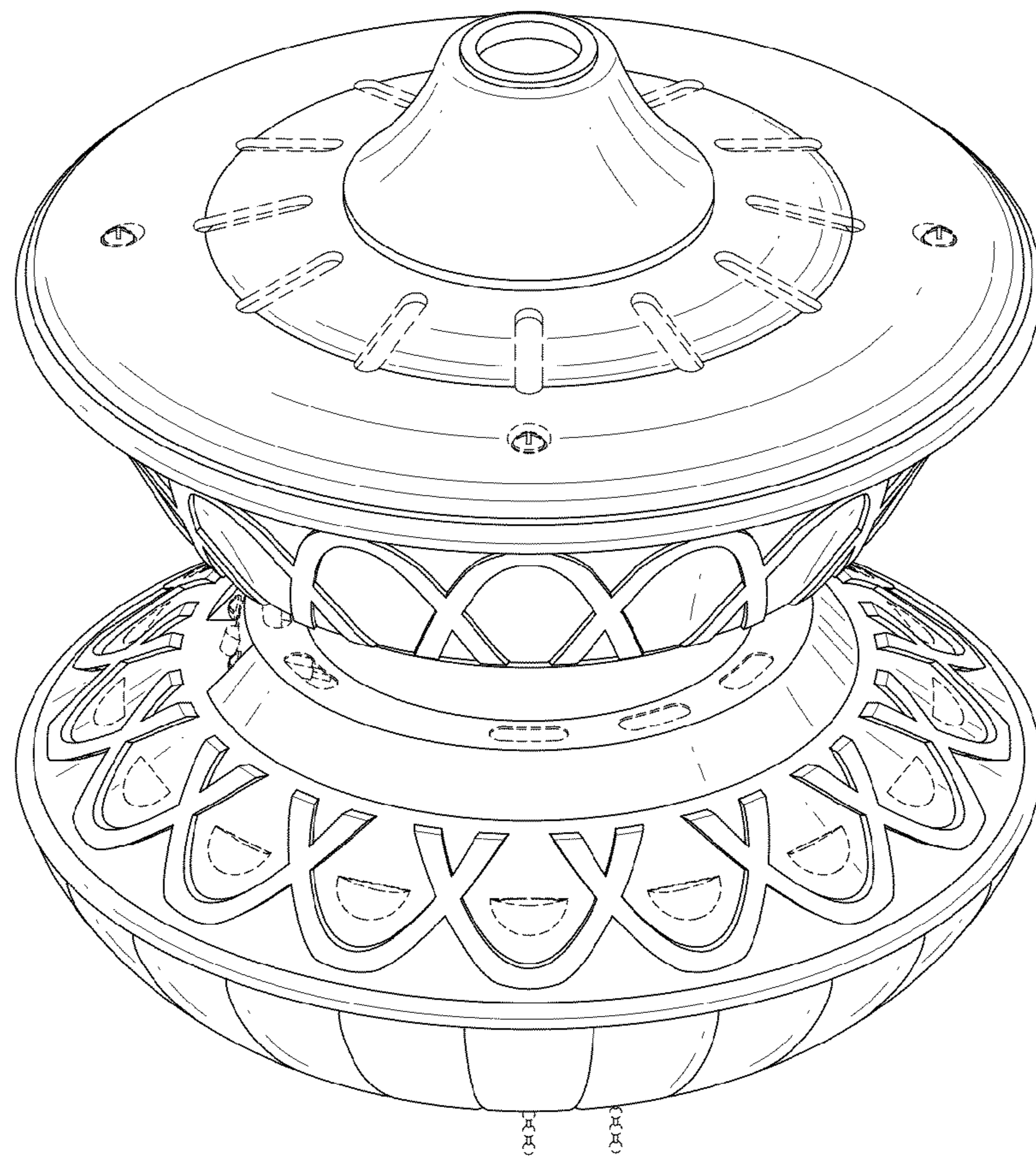


FIG. 1

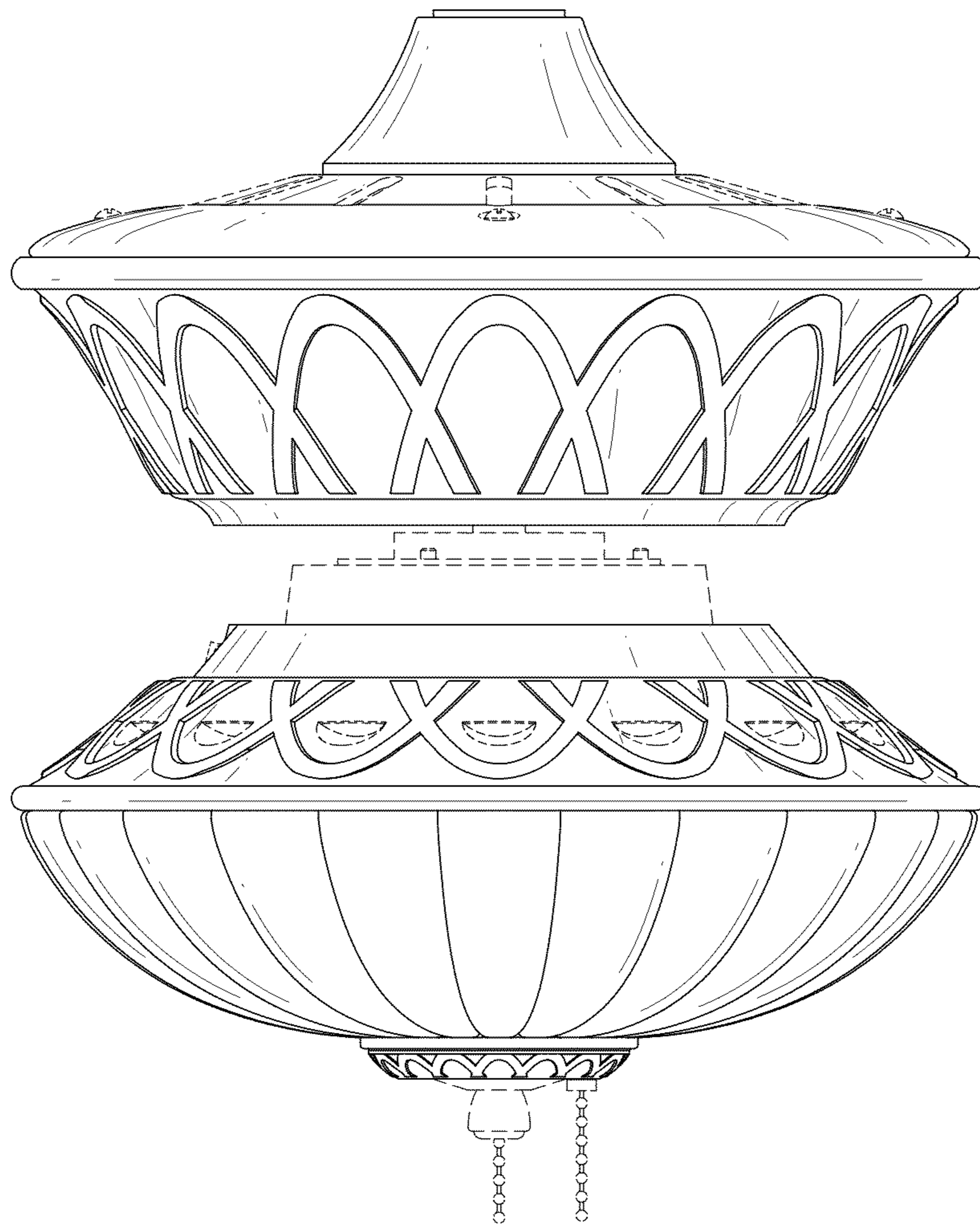


FIG. 2

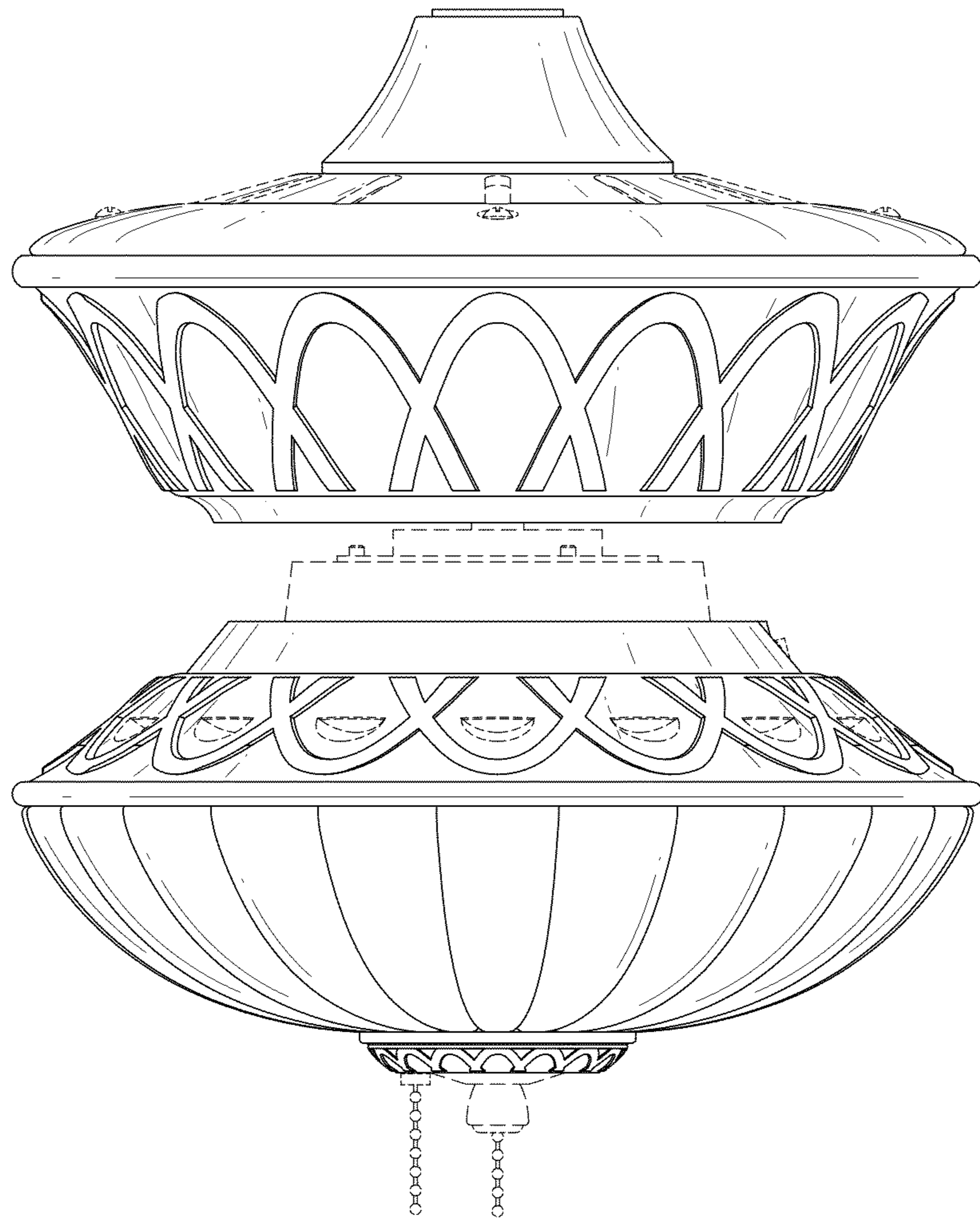


FIG. 3

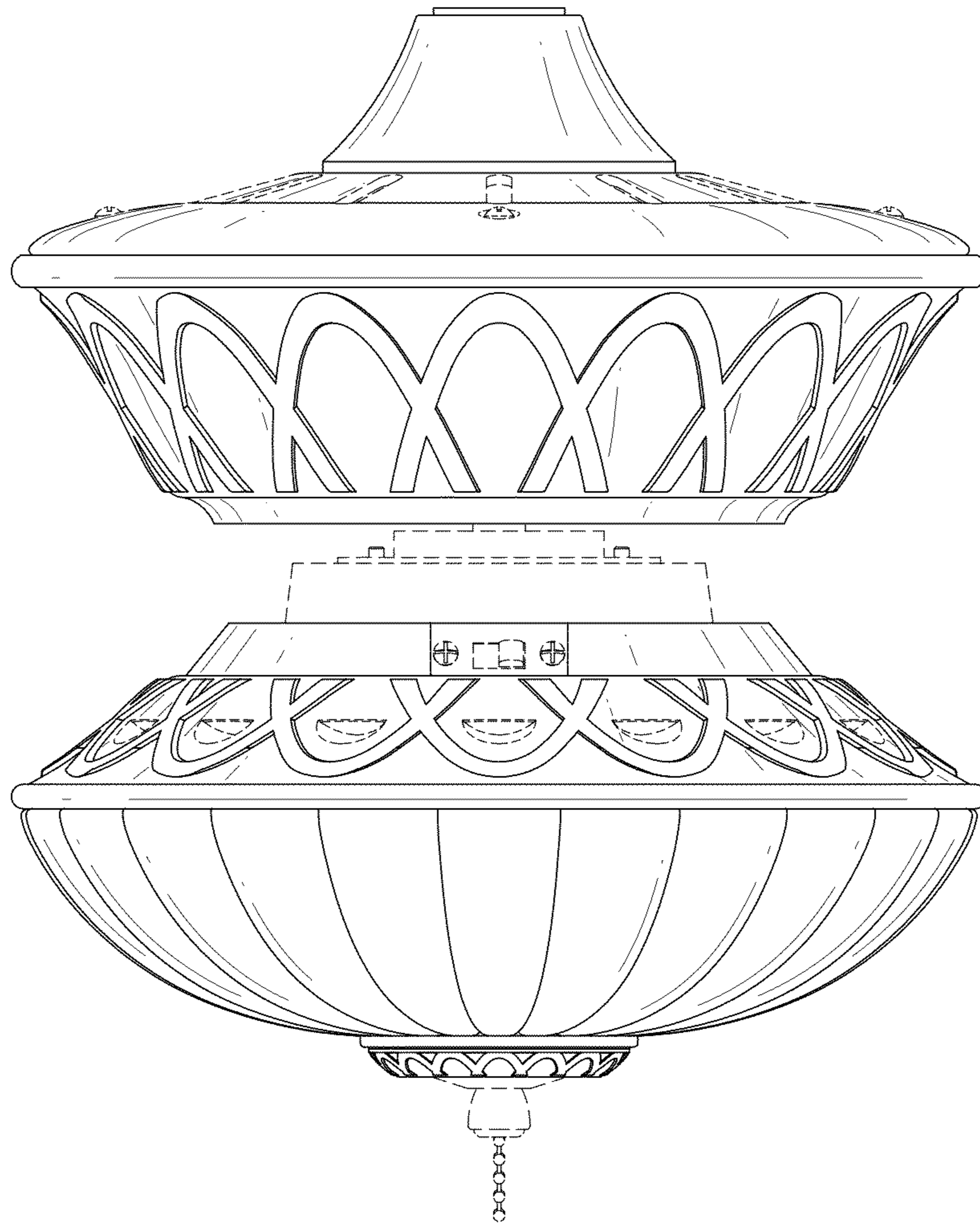


FIG. 4

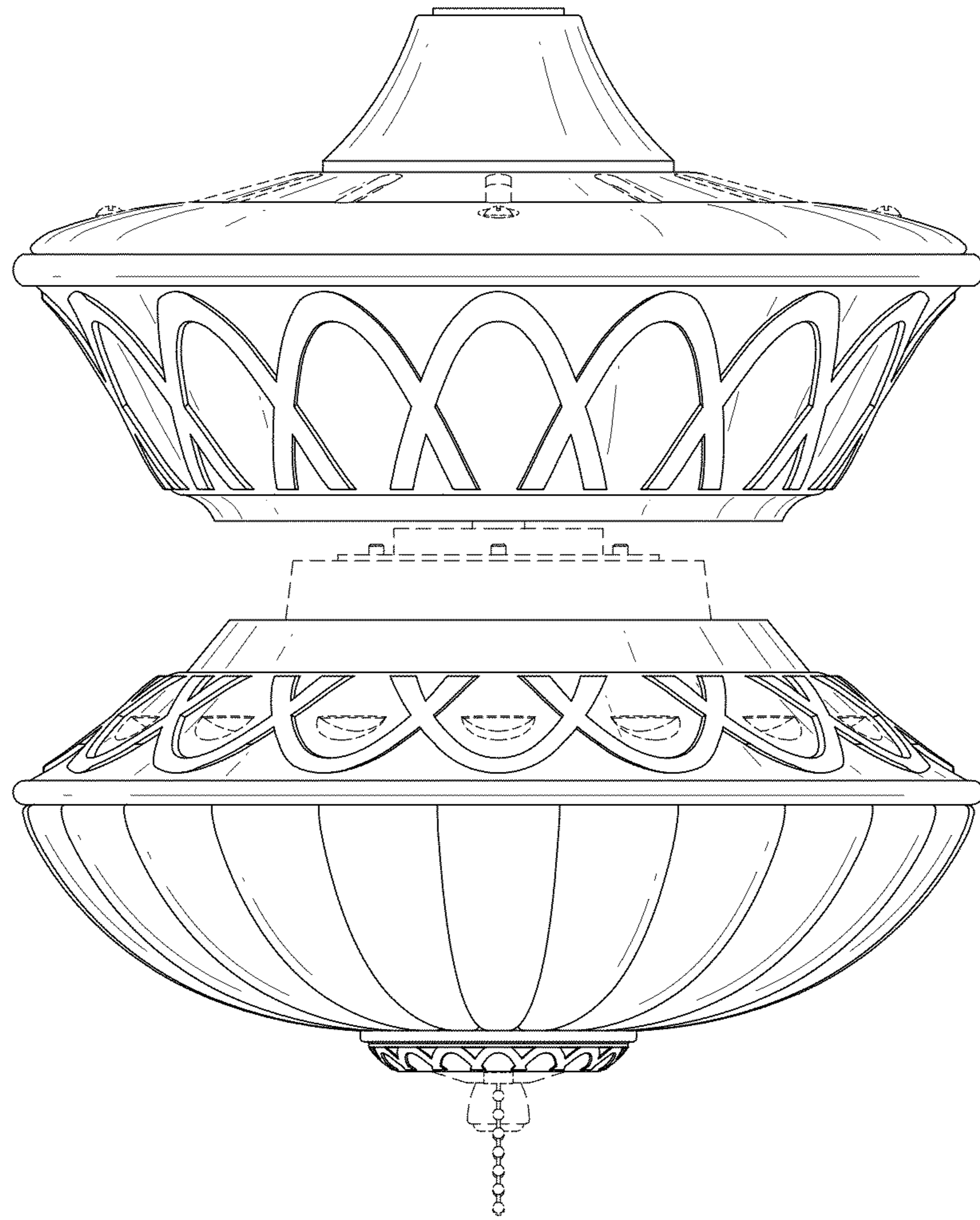


FIG. 5