



US00D713024S

(12) **United States Design Patent**
Grove et al.

(10) **Patent No.:** **US D713,024 S**
(45) **Date of Patent:** **** Sep. 9, 2014**

(54) **CHEMICAL VAPOR DEPOSITION FIXTURE**

(71) Applicant: **Silcotek Corp.**, Bellefonte, PA (US)

(72) Inventors: **William David Grove**, Boalsburg, PA (US); **Nicholas Peter Deskevich**, Hollidaysburg, PA (US)

(73) Assignee: **Silcotek Corp.**, Bellefont, PA (US)

(**) Term: **14 Years**

(21) Appl. No.: **29/437,564**

(22) Filed: **Nov. 19, 2012**

(51) **LOC (10) Cl.** **23-04**

(52) **U.S. Cl.**
USPC **D23/386**

(58) **Field of Classification Search**
USPC D23/385-395, 397, 370-373, 365, 351, D23/354, 399-403, 421, 499; 454/309, 454/275-277, 284, 287-291, 358-363; 52/302.1, 32.07; 285/229, 189, 183, 285/123.1, 15, 114, 110, 424, 197; 165/59; 118/715; D15/144; 427/248.1
See application file for complete search history.

(56) **References Cited**

U.S. PATENT DOCUMENTS

4,329,938 A * 5/1982 Mang 118/730
5,534,074 A * 7/1996 Koons 118/728

D428,858 S * 8/2000 Ishii D13/182
6,123,804 A * 9/2000 Babassi et al. 156/345.51
6,133,121 A * 10/2000 Tsunashima et al. 438/478
7,252,716 B2 * 8/2007 Kim et al. 118/715
7,923,069 B2 * 4/2011 Chang et al. 427/248.1
D645,487 S * 9/2011 Hrabina et al. D15/144
8,308,916 B2 * 11/2012 Sharp et al. 204/192.16
8,366,827 B2 * 2/2013 Seo et al. 118/715
8,394,201 B2 * 3/2013 Kim et al. 118/715
8,491,963 B2 * 7/2013 Lamouroux et al. 427/249.2
D689,107 S * 9/2013 Grove D15/144

* cited by examiner

Primary Examiner — David Muller

(74) *Attorney, Agent, or Firm* — McNeese Wallace & Nurick LLC

(57) **CLAIM**

What is claimed is the chemical vapor deposition fixture, as shown and described.

DESCRIPTION

FIG. 1 shows a perspective view of the chemical vapor deposition fixture.

FIG. 2 shows a front view thereof;

FIG. 3 shows a rear view thereof;

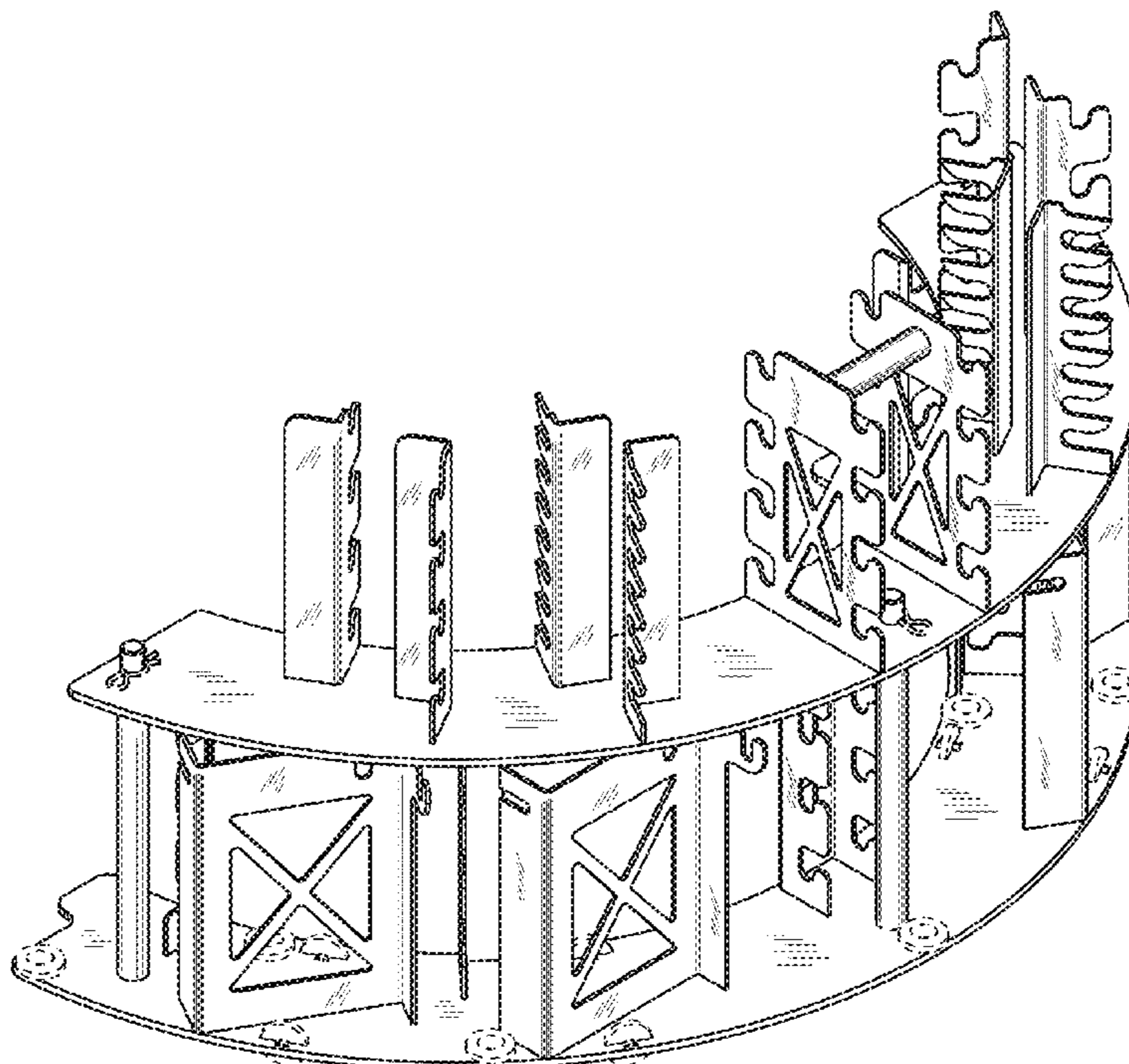
FIG. 4 shows a first side view thereof;

FIG. 5 shows a second side view thereof; and,

FIG. 6 shows the bottom view thereof.

The broken line showing of parts of the drawings is included for the purpose of illustrating use and environment and forms no part of the claimed design.

1 Claim, 6 Drawing Sheets



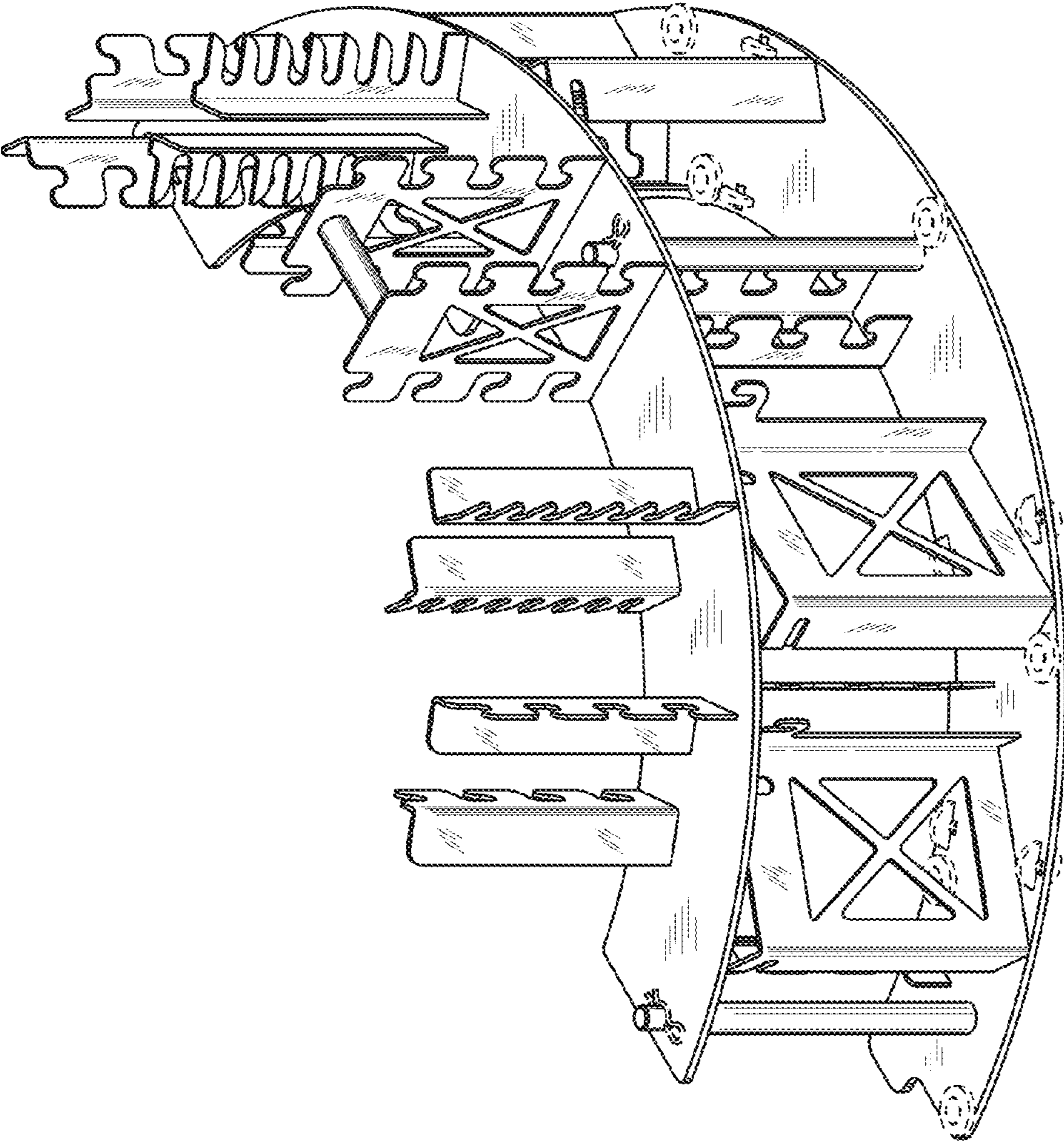


FIG. 1

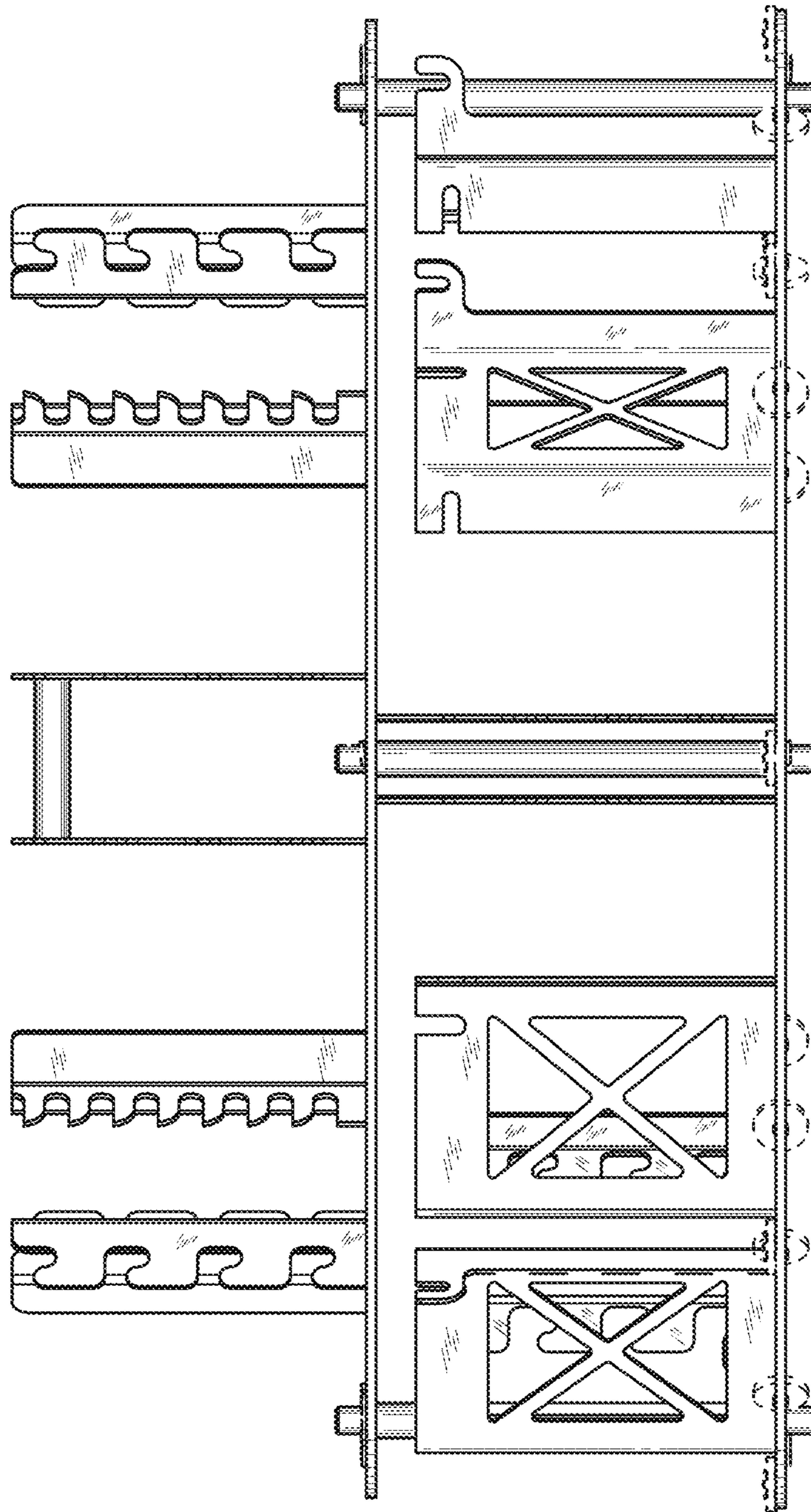


FIG. 2

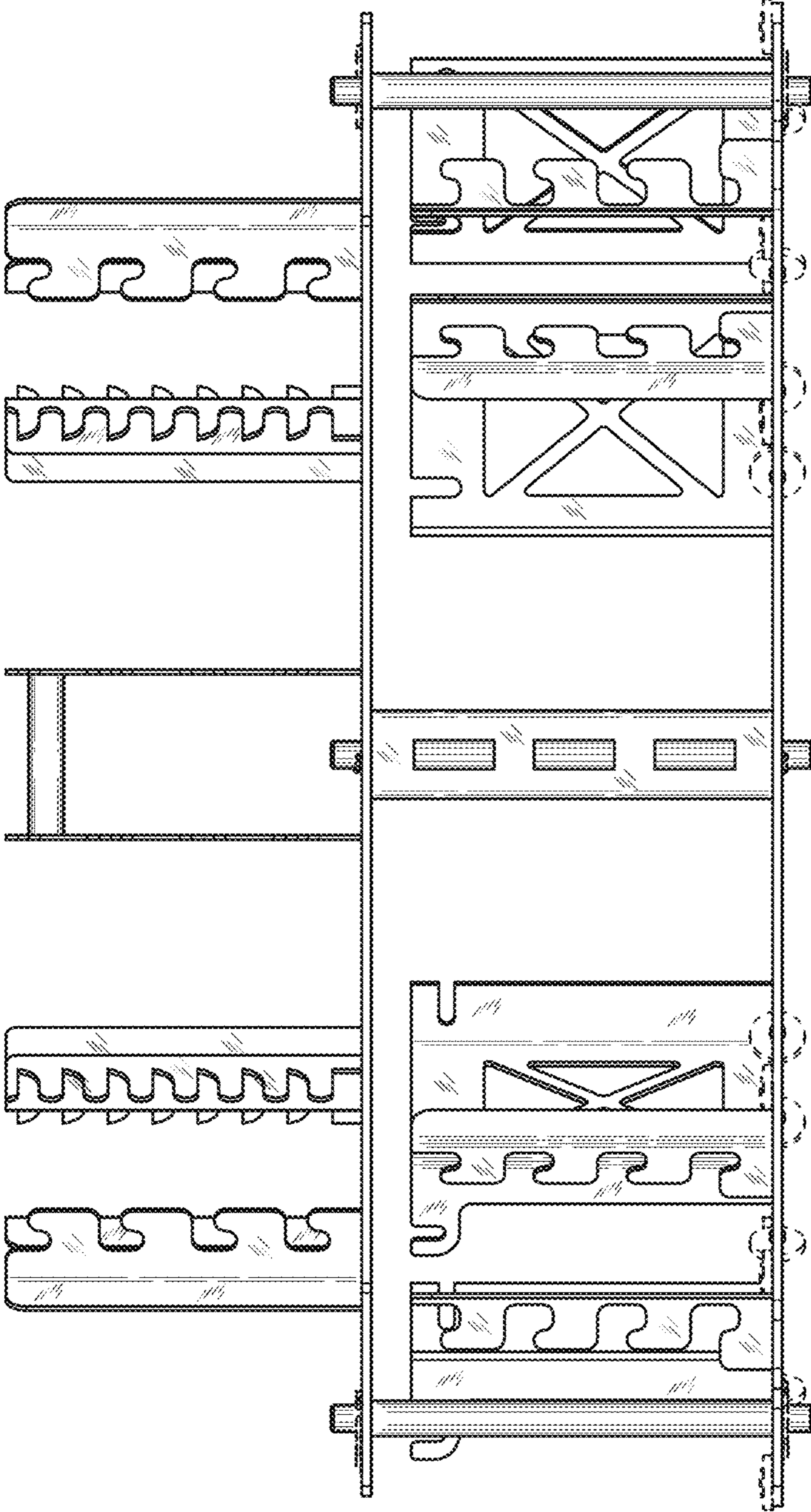


FIG. 3

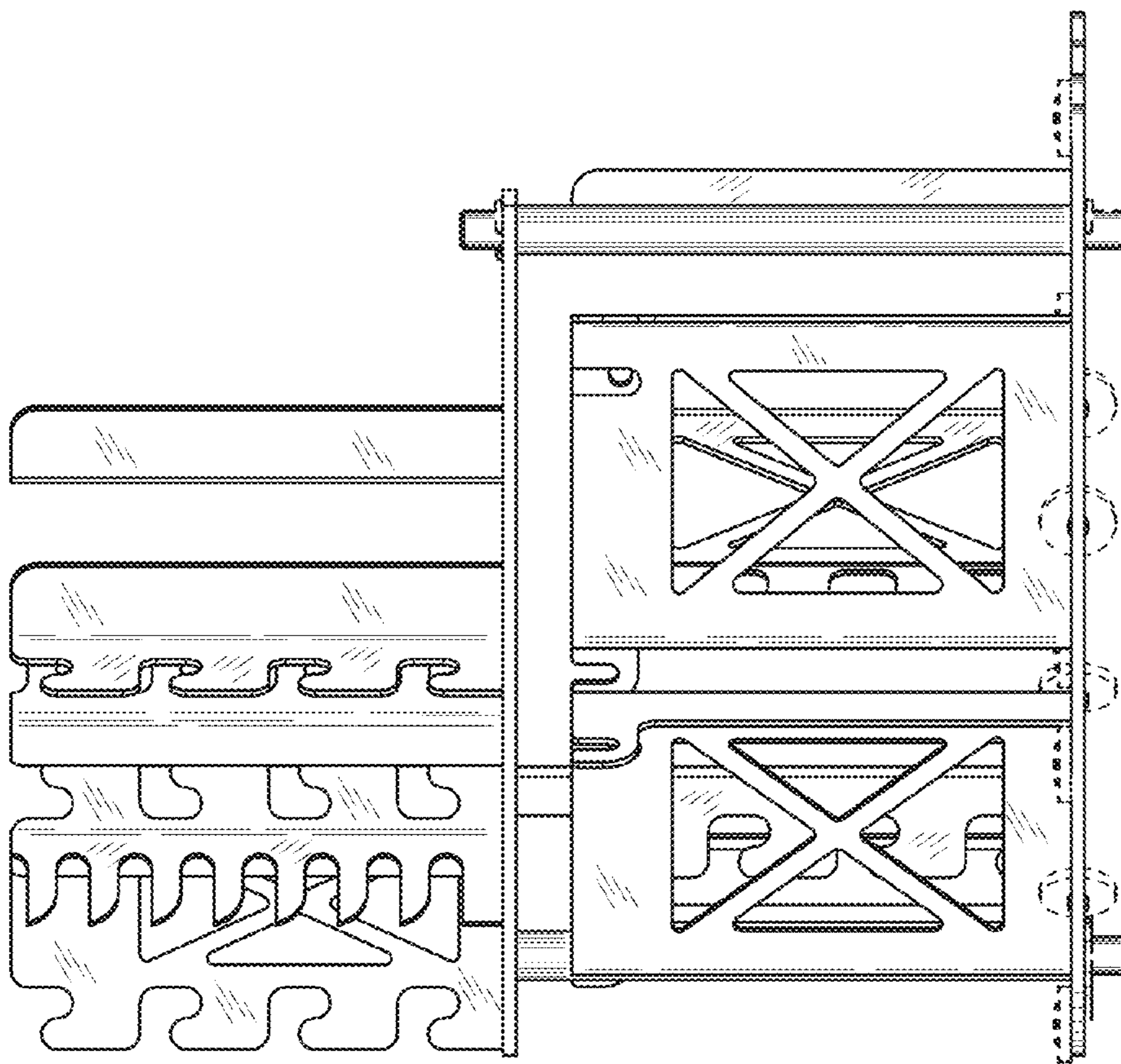


FIG. 4

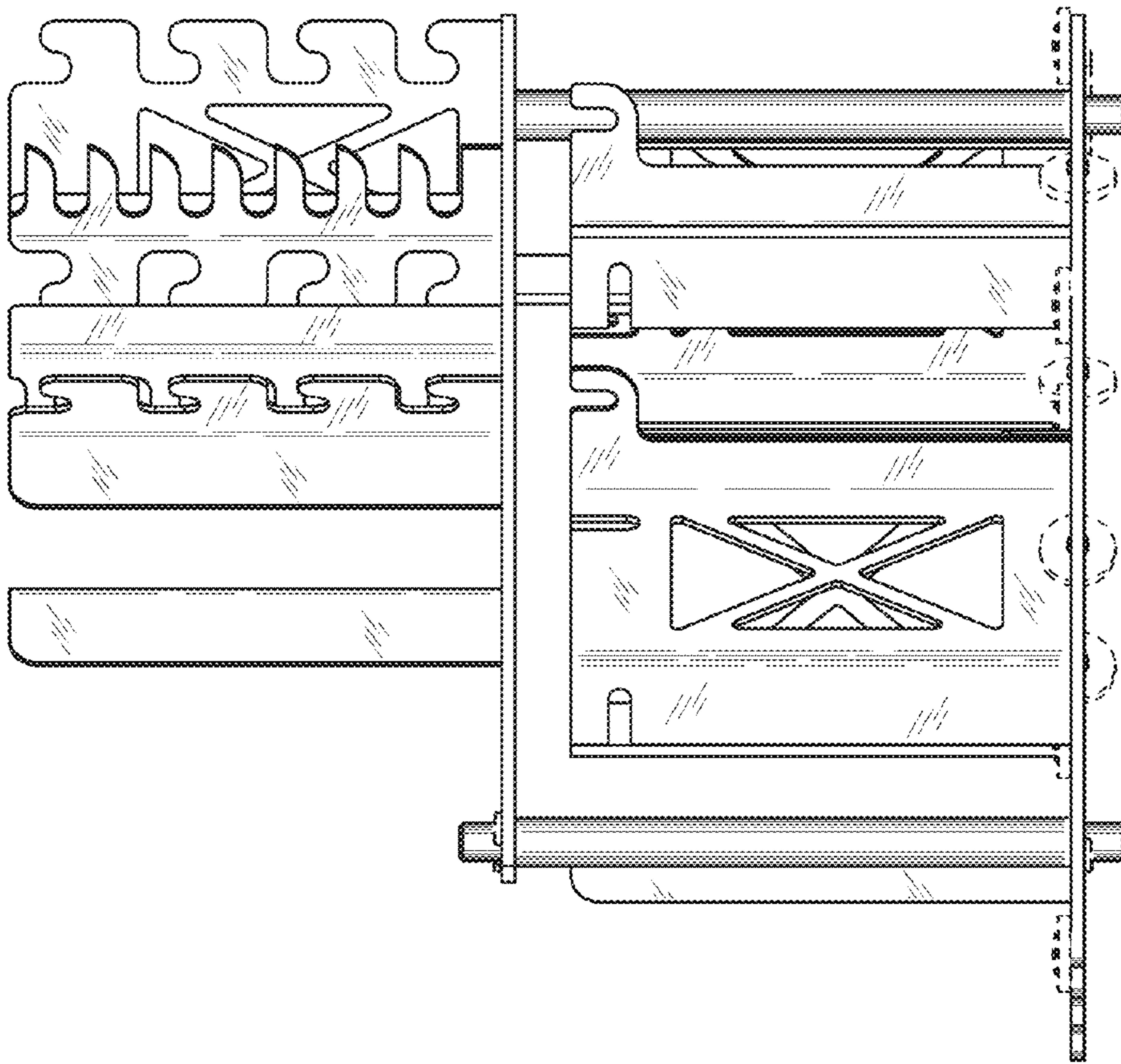


FIG. 5

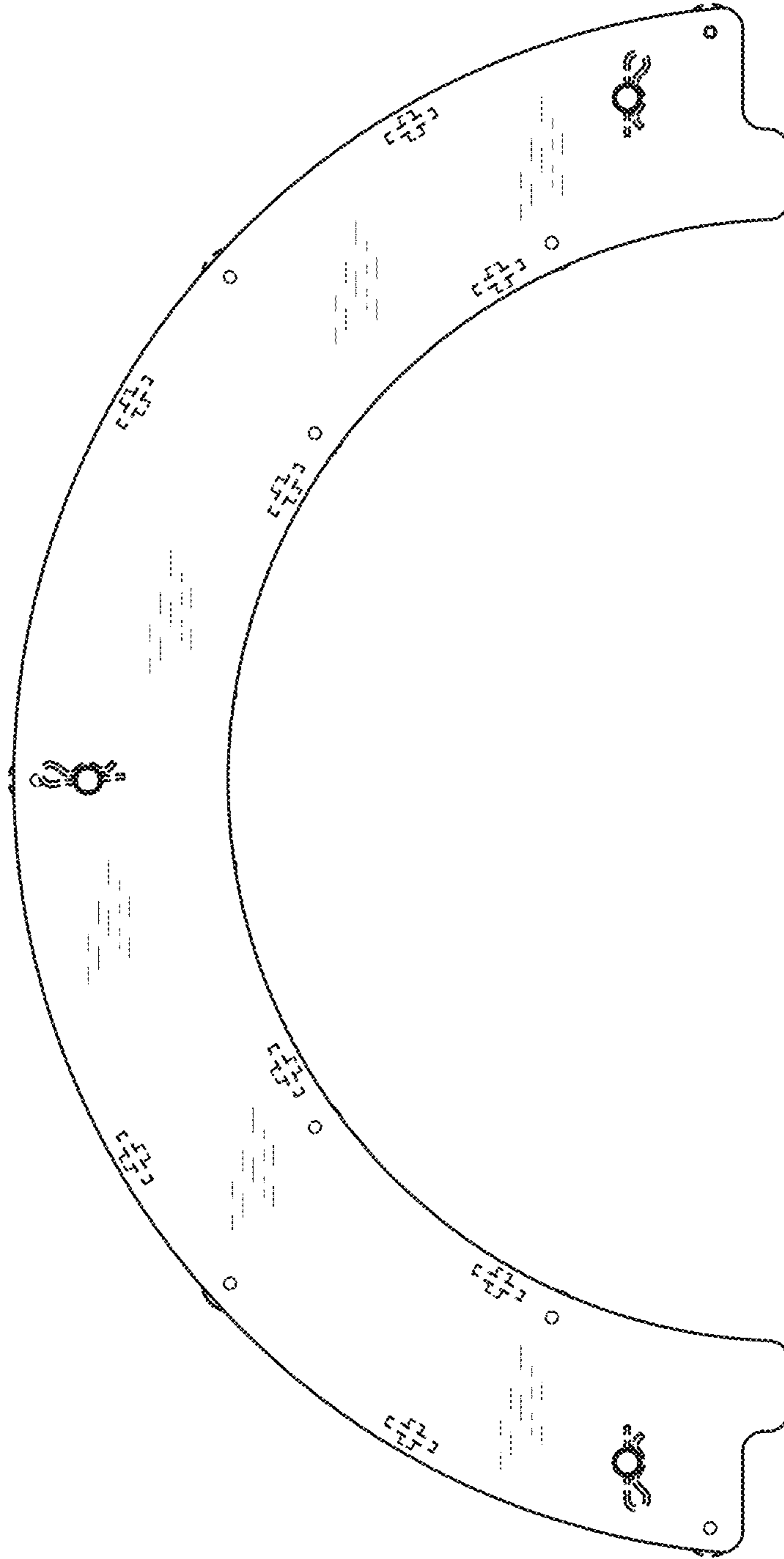


FIG. 6