



US00D713023S

(12) **United States Design Patent**
Chen et al.

(10) **Patent No.:** **US D713,023 S**
(45) **Date of Patent:** **** Sep. 9, 2014**

- (54) **BASE FOR AN AIR FILTER**
- (71) Applicant: **S & B Filters, Inc.**, Fontana, CA (US)
- (72) Inventors: **Pilun A. Chen**, Fontana, CA (US);
David Castillo, Fontana, CA (US)
- (73) Assignee: **S&B Filters, Inc.**, Fontana, CA (US)
- (**) Term: **14 Years**
- (21) Appl. No.: **29/464,481**
- (22) Filed: **Aug. 16, 2013**
- (51) **LOC (10) Cl.** **23-04**
- (52) **U.S. Cl.**
USPC **D23/365**
- (58) **Field of Classification Search**
USPC D23/365, 209, 363, 358, 386, 354, 341,
D23/364; 55/385.3, 502, 497, 506, 505,
55/521, 495, 422, 493, DIG. 30; 210/435,
210/130, 136, 248, 339, 448, 452, 497.1;
D32/31; D15/5
See application file for complete search history.

D449,678	S	*	10/2001	Ng-Gee-Quan	D23/365
D470,216	S	*	2/2003	Gustafson et al.	D23/209
D471,623	S	*	3/2003	Gieseke et al.	D23/365
6,755,881	B2		6/2004	Ruehle		
6,833,023	B1		12/2004	Vandenberghe et al.		
D517,183	S	*	3/2006	Huang	D23/365
D520,127	S	*	5/2006	Khalil	D23/365
D533,265	S	*	12/2006	Fiello et al.	D23/365
D668,751	S	*	10/2012	Fitton et al.	D23/365
D674,464	S	*	1/2013	Wilder et al.	D23/209
D679,732	S	*	4/2013	Edgar et al.	D15/5
D691,252	S	*	10/2013	Moredock et al.	D23/365

* cited by examiner

Primary Examiner — David Muller

(74) *Attorney, Agent, or Firm* — Stetina Brunda Garred & Brucker; Lowell Anderson

(57) **CLAIM**

The ornamental design for a base for an air filter, as shown and described.

DESCRIPTION

FIG. 1 is a downward looking perspective view of the base for an air filter, with the view from the diametrically opposing side being the mirror image thereof;

FIG. 2 is an upward looking perspective view of the base for an air filter of FIG. 1, with the view from the diametrically opposing side being the mirror image thereof; and,

FIG. 3 is a sectional view taken along section 3-3 of FIG. 2, showing a cross section of the base.

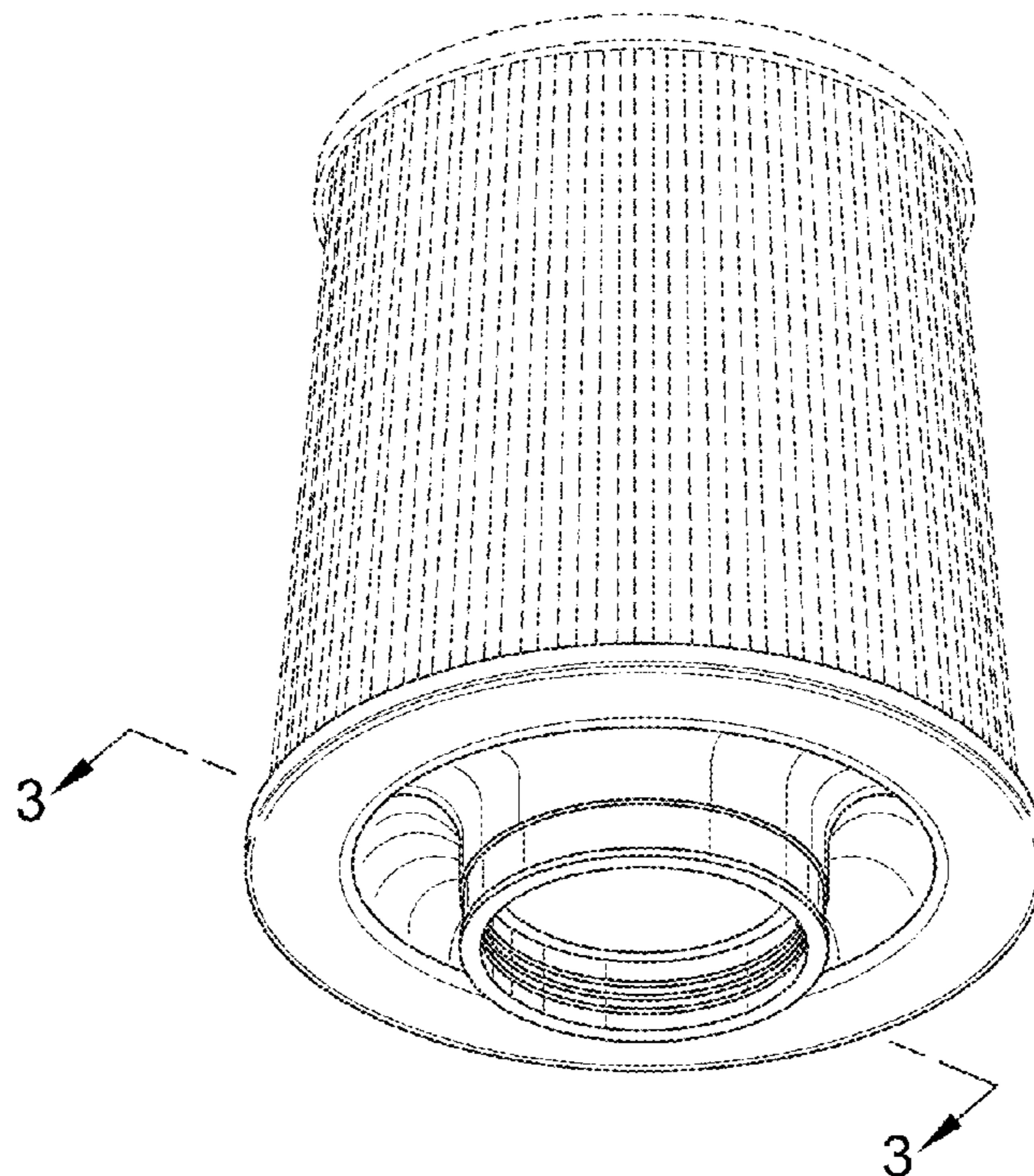
The broken lines show the environment of the base and represent unclaimed subject matter and form no part of the claimed design.

1 Claim, 1 Drawing Sheet

(56) **References Cited**

U.S. PATENT DOCUMENTS

3,347,028	A		10/1967	Erbstoesser		
D294,167	S	*	2/1988	Meissner	D23/209
5,549,085	A		8/1996	Endrigo		
5,549,722	A		8/1996	Zemaitis et al.		
5,549,724	A		8/1996	Mochida		
5,688,299	A	*	11/1997	Goodwin	55/385.3
D401,684	S	*	11/1998	Shelton et al.	D23/365



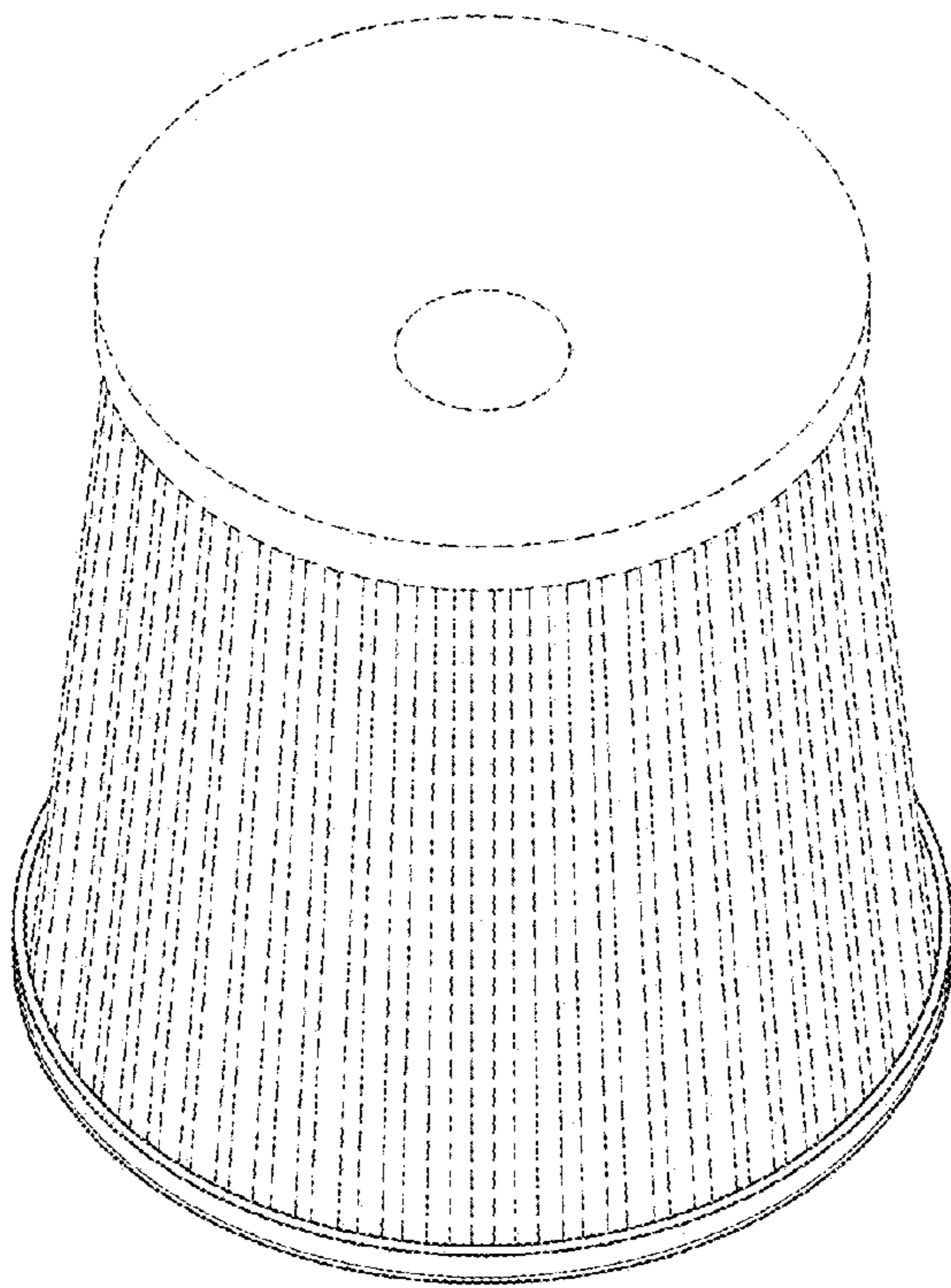


Fig. 1

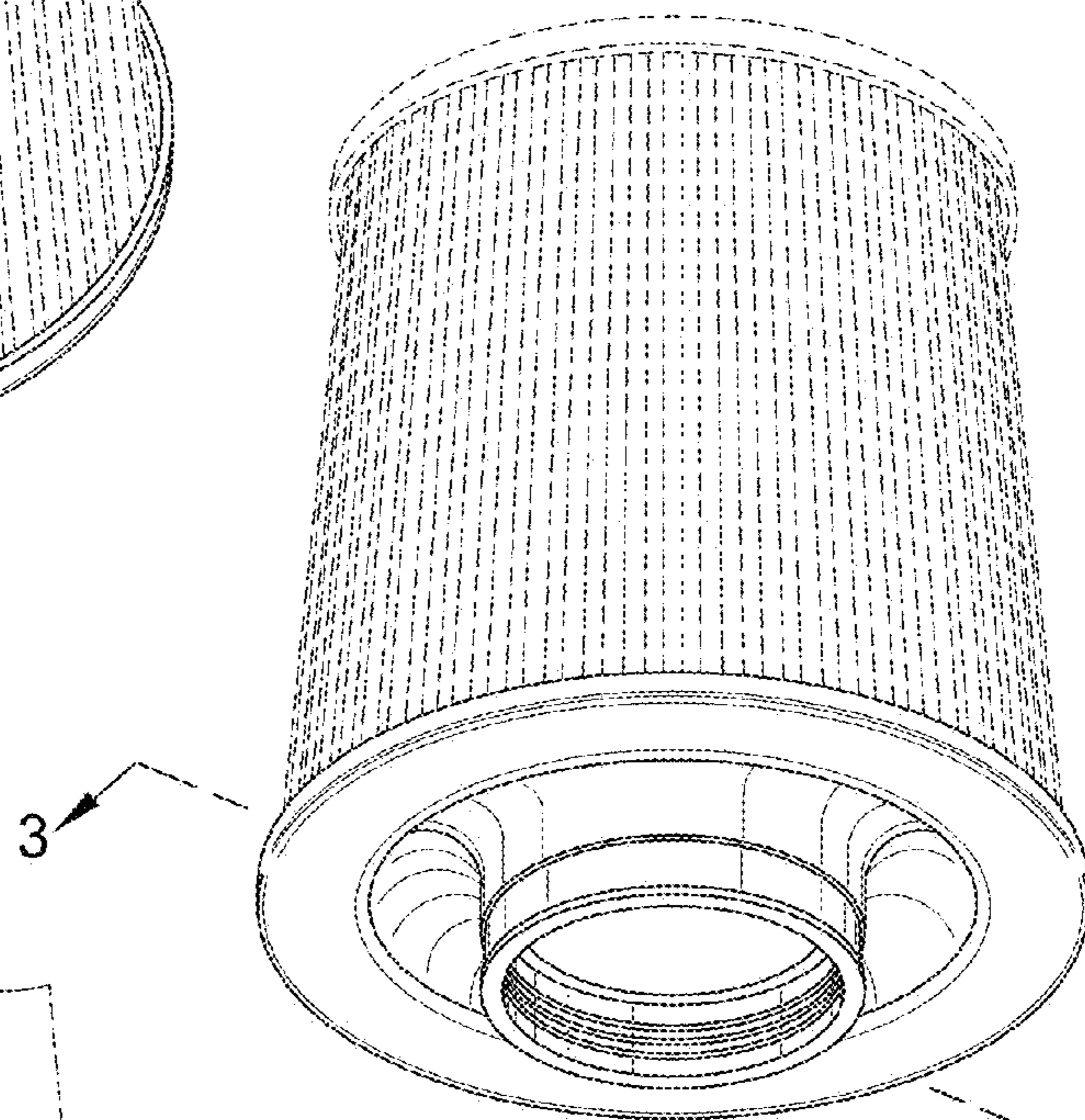


Fig. 2

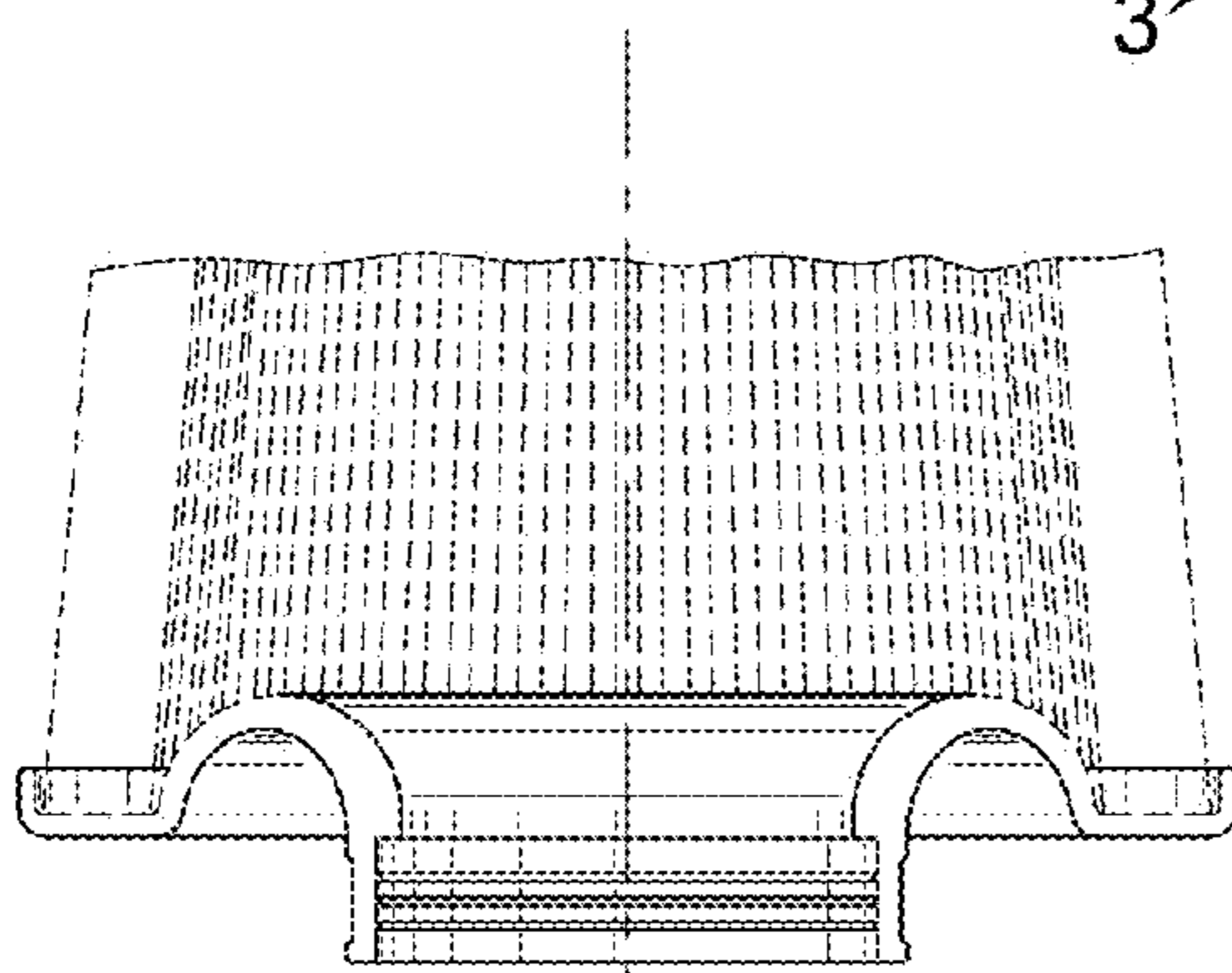


Fig. 3