



US00D713018S

(12) **United States Design Patent**
Bucher

(10) **Patent No.:** **US D713,018 S**

(45) **Date of Patent:** **** Sep. 9, 2014**

(54) **TOILET**

(71) Applicant: **AS IP Holdco, LLC**, Piscataway, NJ
(US)

(72) Inventor: **Christophe Bucher**, Hillsborough, NJ
(US)

(73) Assignee: **AS IP Holdco, LLC**, Piscataway, NJ
(US)

(**) Term: **14 Years**

(21) Appl. No.: **29/471,014**

(22) Filed: **Oct. 28, 2013**

(51) **LOC (10) Cl.** **23-02**

(52) **U.S. Cl.**
USPC **D23/301**

(58) **Field of Classification Search**
USPC D23/295, 301, 303, 309, 313; 4/353,
4/420, DIG. 15
See application file for complete search history.

(56) **References Cited**

U.S. PATENT DOCUMENTS

D167,130 S * 7/1952 Alexander D23/301
D283,834 S * 5/1986 Grudzinskas D23/301

D406,329 S 3/1999 Kawamura
D458,355 S * 6/2002 Tanner D23/301
D514,208 S * 1/2006 Gordon D23/301
D672,019 S * 12/2012 Bucher D23/301

* cited by examiner

Primary Examiner — Robert Delehanty

(74) *Attorney, Agent, or Firm* — Flaster/Greenberg P.C.

(57) **CLAIM**

The ornamental design for a toilet, as shown and described.

DESCRIPTION

FIG. 1 is a perspective view of a toilet;
FIG. 2 is a front view of the toilet of FIG. 1;
FIG. 3 is a back view of the toilet of FIG. 1;
FIG. 4 is a left side view of the toilet of FIG. 1;
FIG. 5 is a right side view of the toilet of FIG. 1;
FIG. 6 is a top view of the toilet of FIG. 1; and,
FIG. 7 is a bottom view of the toilet of FIG. 1.
The broken lines shown in the drawings are for illustrative purposes and forms no part of the claimed design.

1 Claim, 7 Drawing Sheets

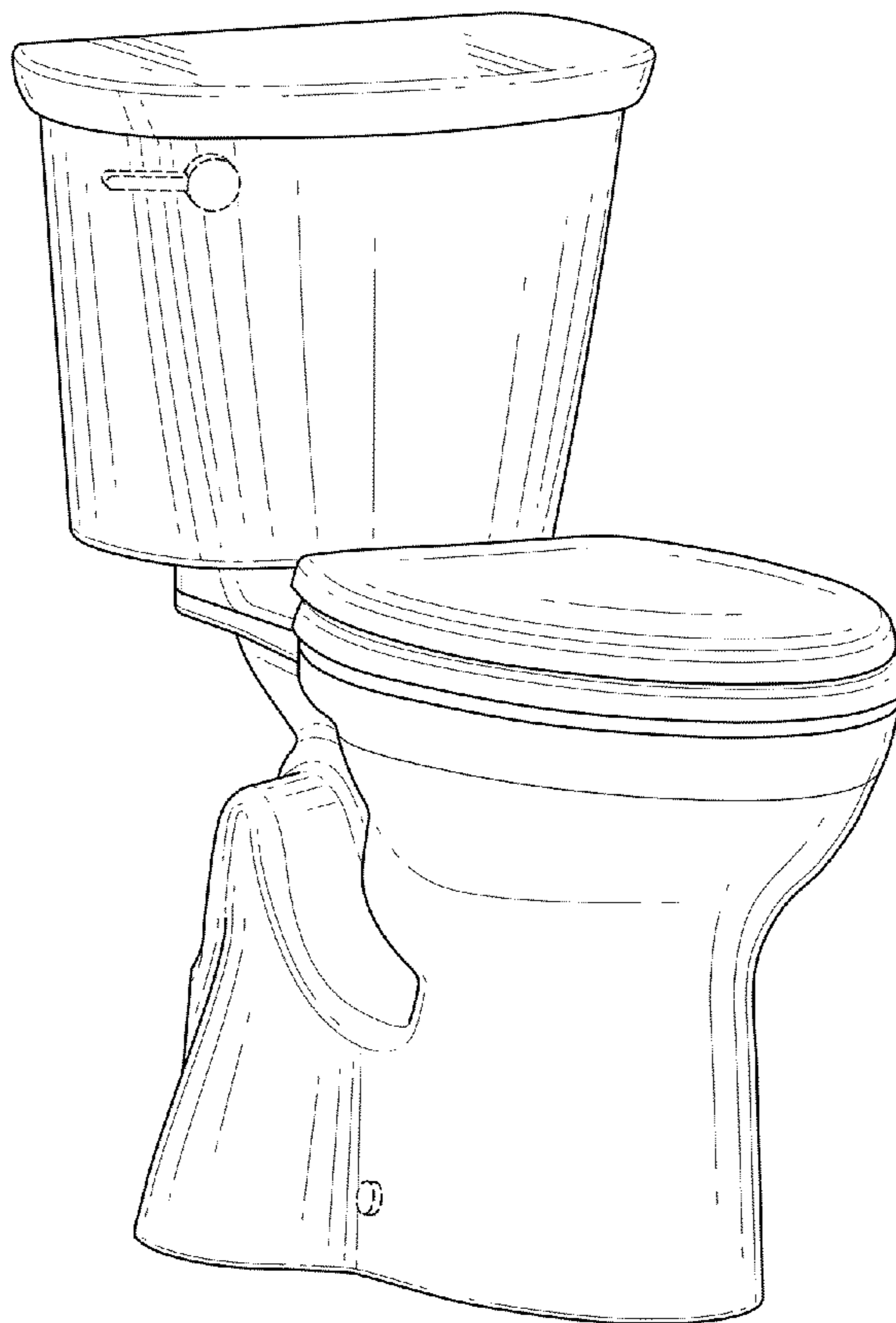




FIG. 1

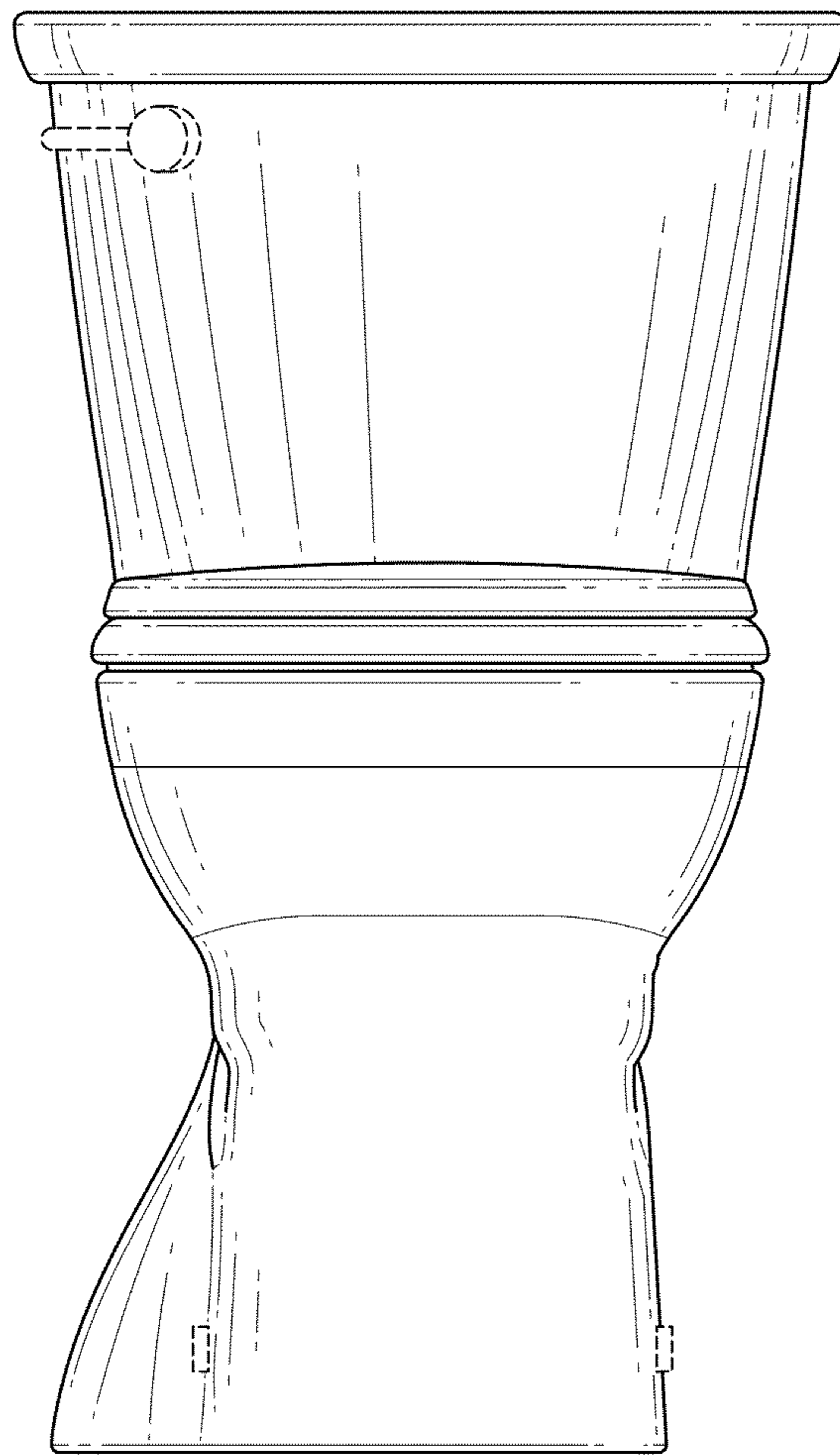


FIG. 2

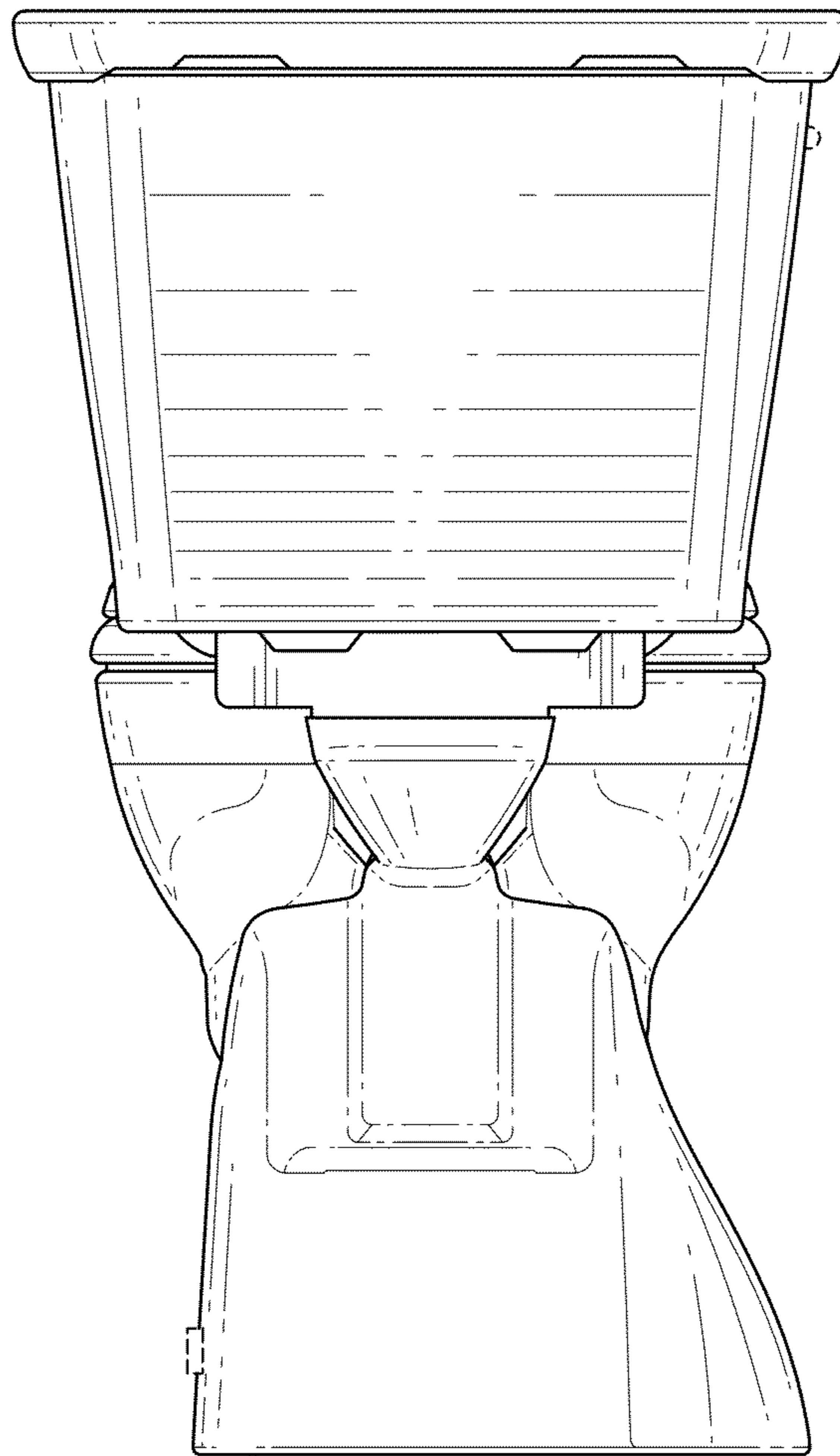


FIG. 3

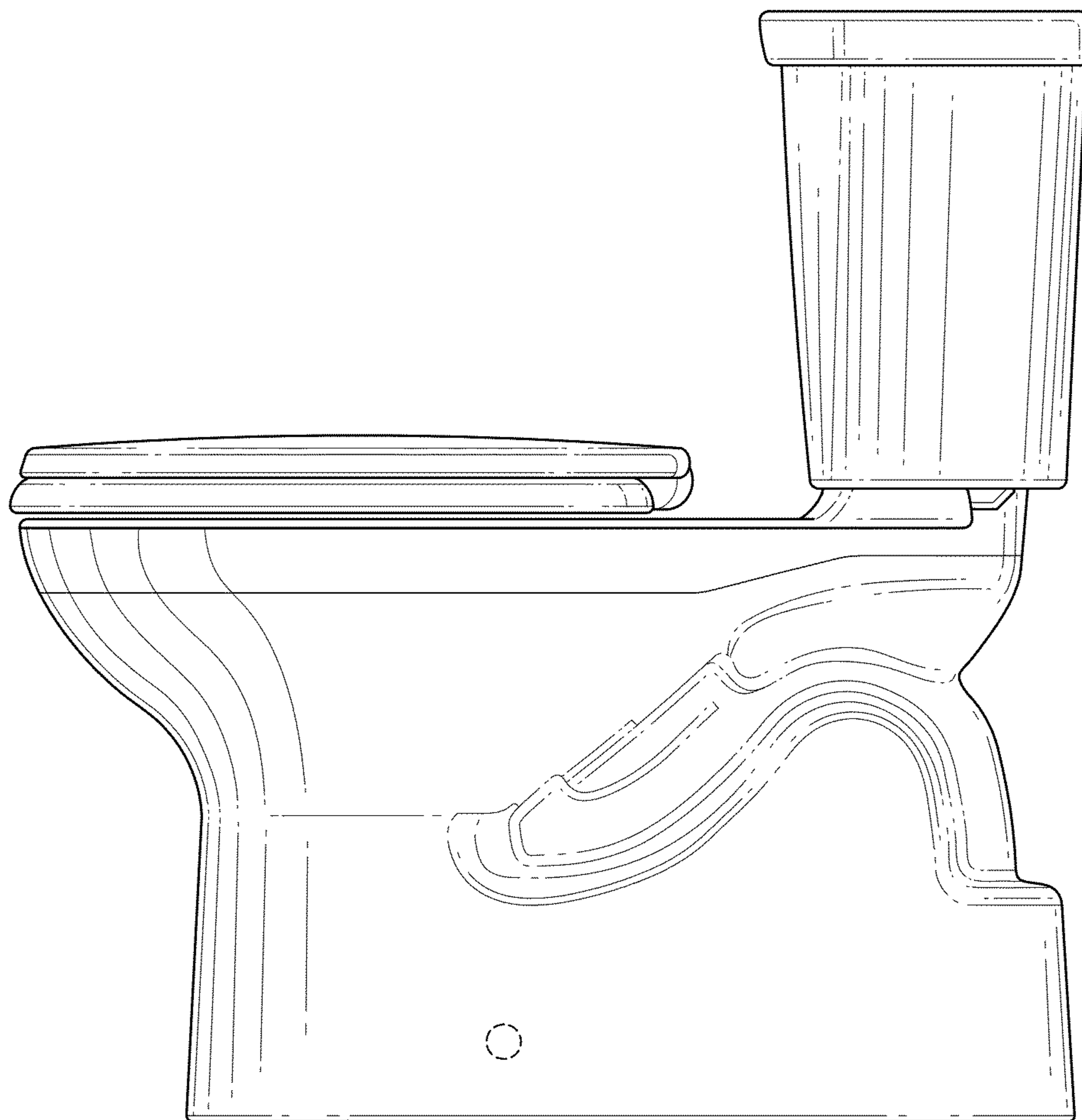


FIG. 4

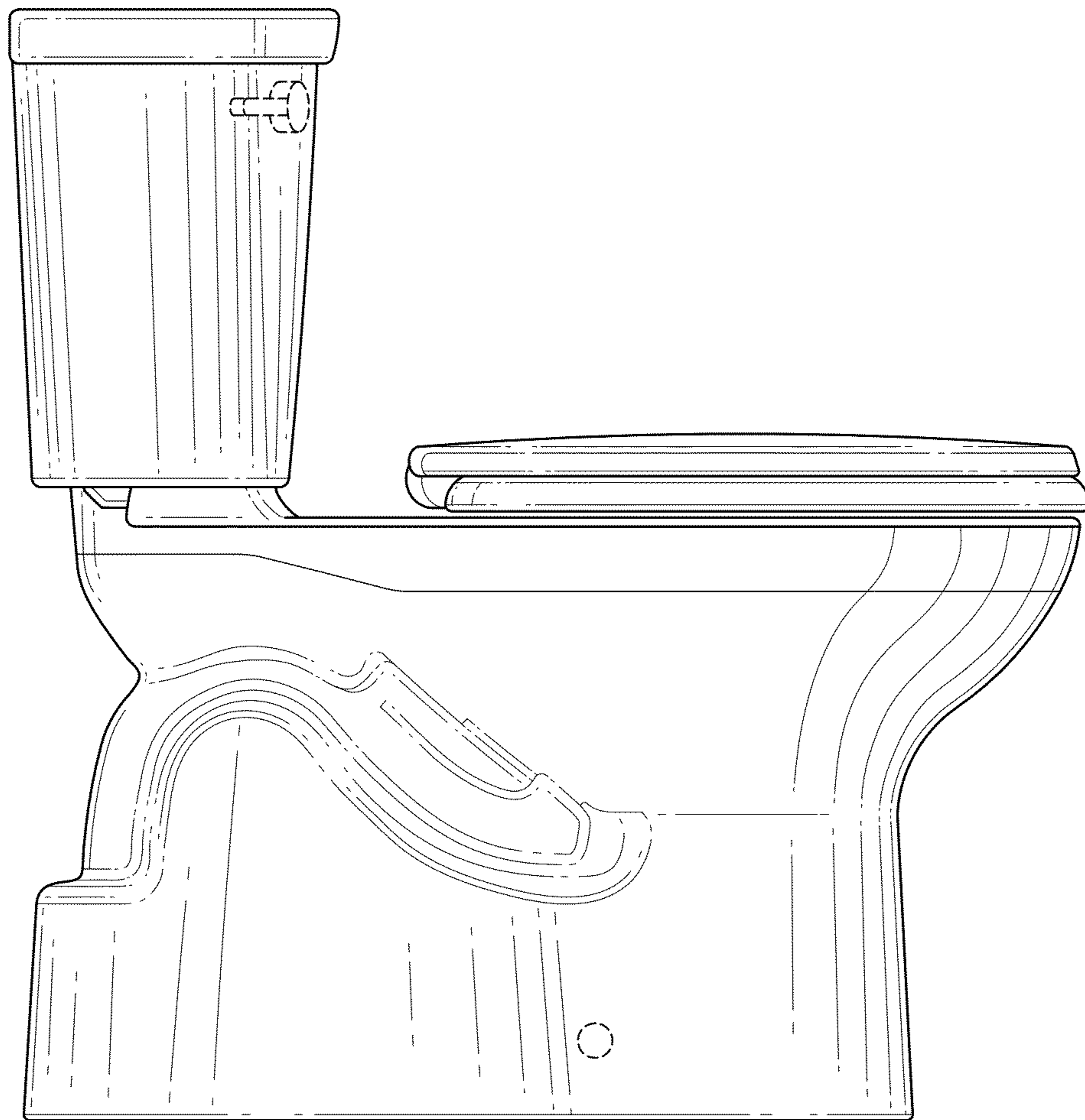


FIG.5

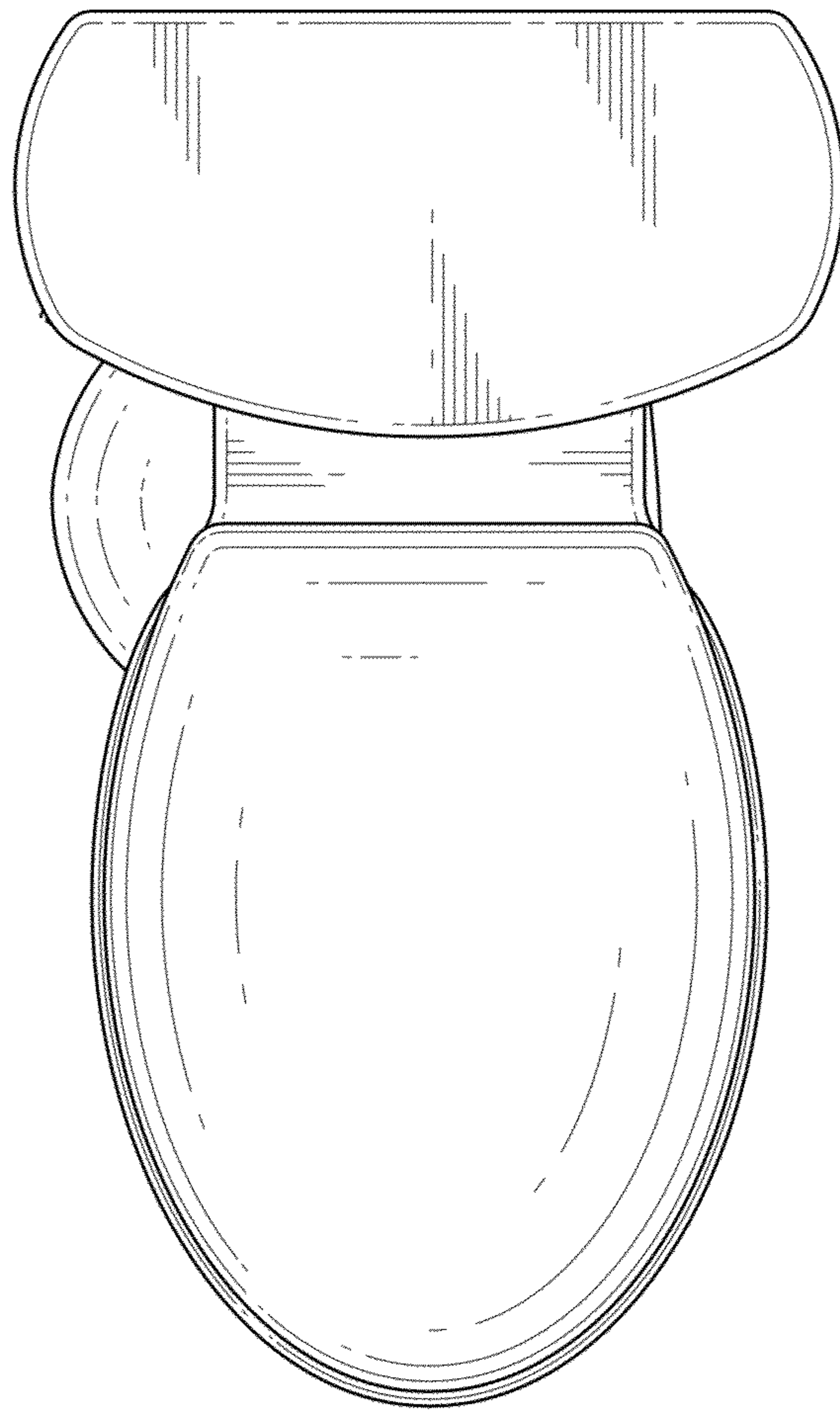


FIG. 6

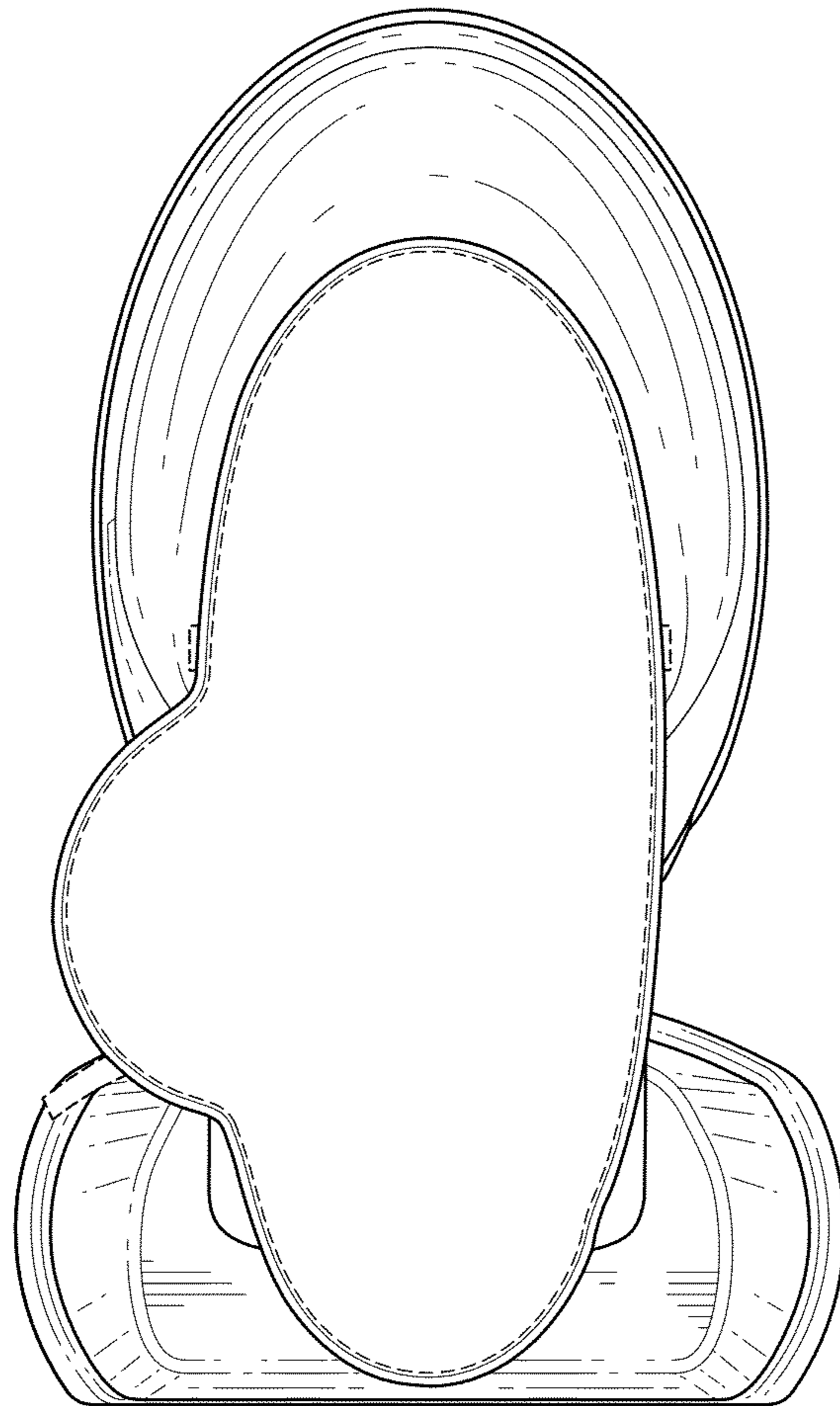


FIG. 7