



US00D713017S

(12) **United States Design Patent**
Citterio

(10) **Patent No.:** **US D713,017 S**
(45) **Date of Patent:** **** Sep. 9, 2014**

(54) **FAUCET SPOUT**
(71) Applicant: **Hansgrohe SE**, Schiltach (DE)
(72) Inventor: **Antonio Citterio**, Milan (IT)
(73) Assignee: **Hansgrohe SE**, Schiltach (DE)
(**) Term: **14 Years**

D567,907 S 4/2008 Kohler, Jr. et al.
D580,528 S 11/2008 Urquiola
D594,091 S 6/2009 Schoenherr et al.
D615,629 S 5/2010 Bouroullec et al.
D625,778 S * 10/2010 Sandee et al. D23/238
D631,138 S * 1/2011 Yokoyama et al. D23/255
D635,651 S 4/2011 Schoenherr et al.
D678,988 S 3/2013 Lord
D680,195 S 4/2013 Lord
D680,627 S 4/2013 Lord

(21) Appl. No.: **29/480,060**
(22) Filed: **Jan. 23, 2014**

* cited by examiner

Primary Examiner — Robert Delehanty
(74) *Attorney, Agent, or Firm* — Lora J. Graentzdoerffer

(30) **Foreign Application Priority Data**
Jul. 26, 2013 (EM) 001379093-0019
(51) **LOC (10) Cl.** **23-01**
(52) **U.S. Cl.**
USPC **D23/257**
(58) **Field of Classification Search**
USPC D23/238–243, 255, 257; 4/675–678;
137/801
See application file for complete search history.

(57) **CLAIM**
The ornamental design for a faucet spout, as shown and described.

(56) **References Cited**
U.S. PATENT DOCUMENTS
D522,092 S * 5/2006 Hoernig D23/238
D524,416 S 7/2006 Haug et al.
D526,388 S 8/2006 Haug et al.
D550,812 S 9/2007 Haug et al.

DESCRIPTION

FIG. 1 is a perspective view of a faucet spout showing my design;
FIG. 2 is a front elevational view;
FIG. 3 is a rear elevational view;
FIG. 4 is a left side elevational view;
FIG. 5 is a right side elevational view;
FIG. 6 is a top plan view; and,
FIG. 7 is a bottom plan view.
The broken lines in the drawings represent unclaimed portions of the design and form no part of the claimed design.

1 Claim, 7 Drawing Sheets

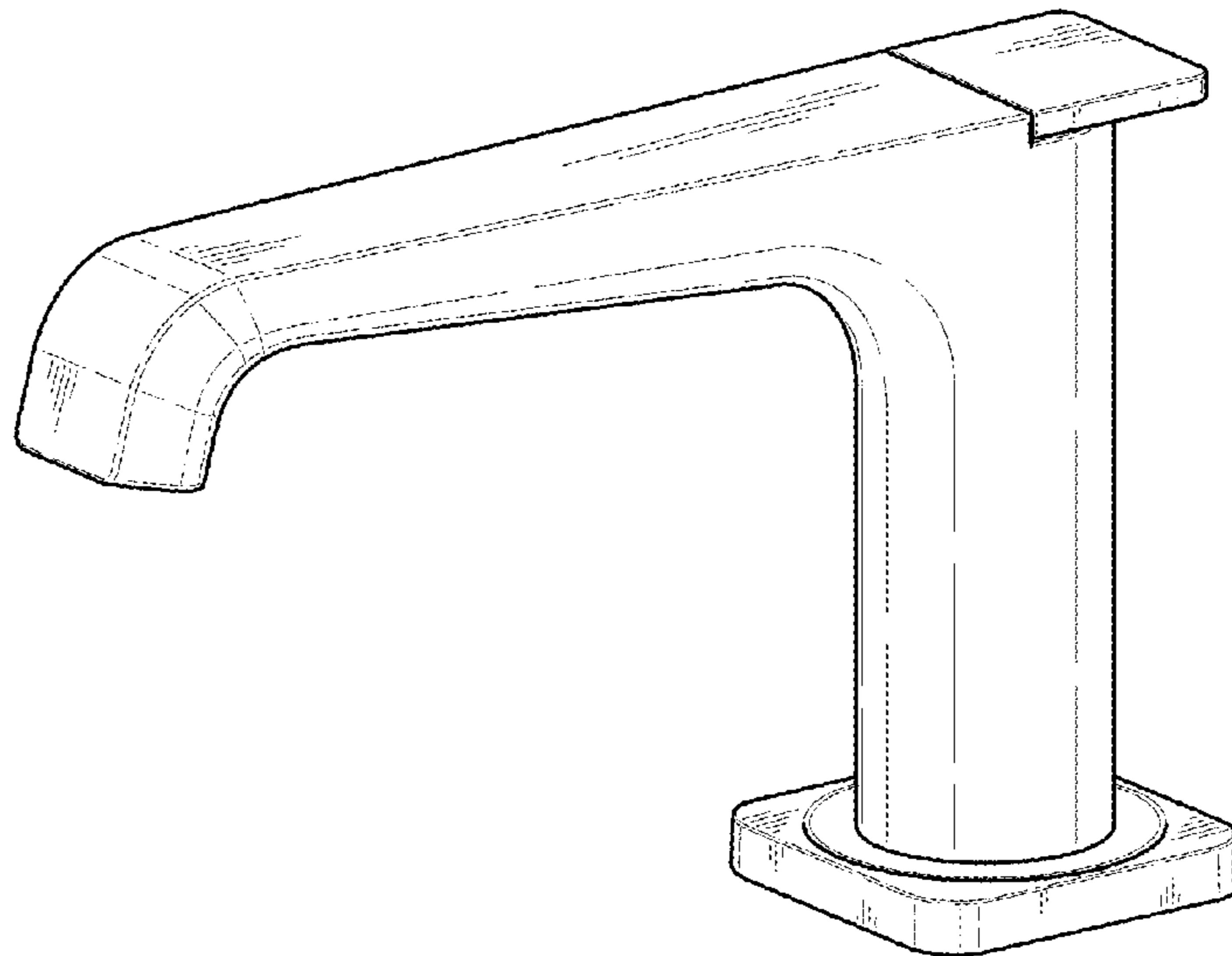


FIG. 1

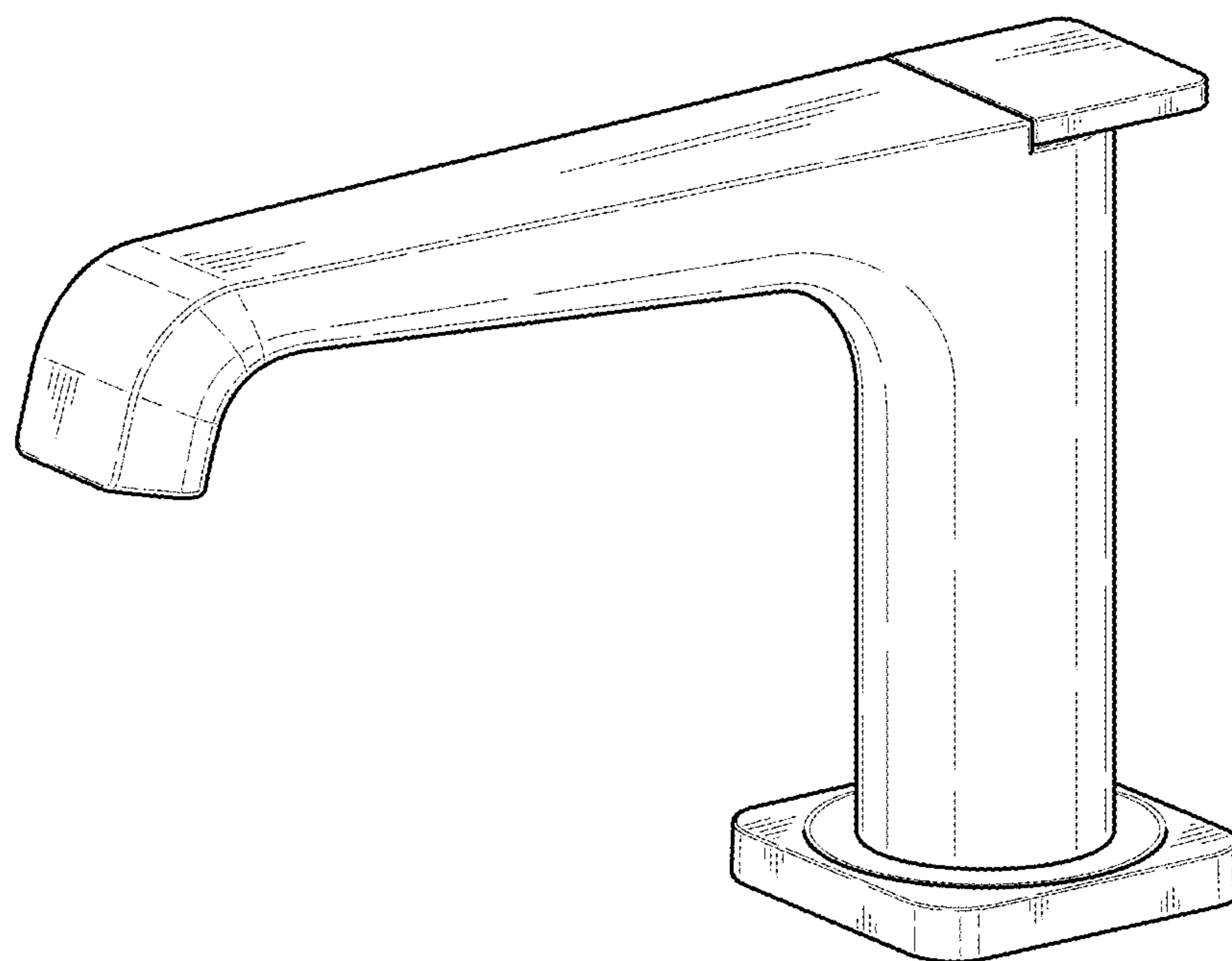


FIG. 2

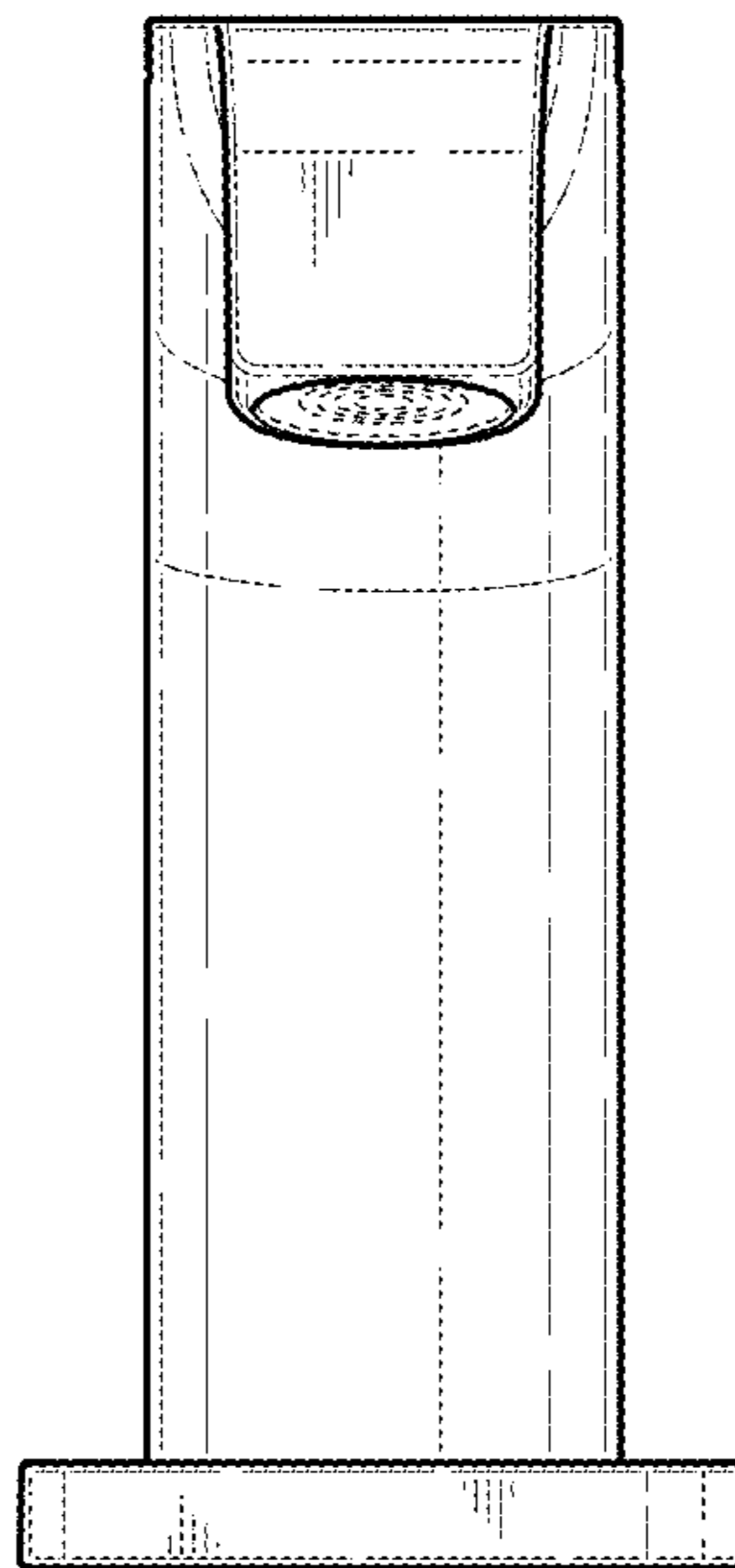


FIG. 3

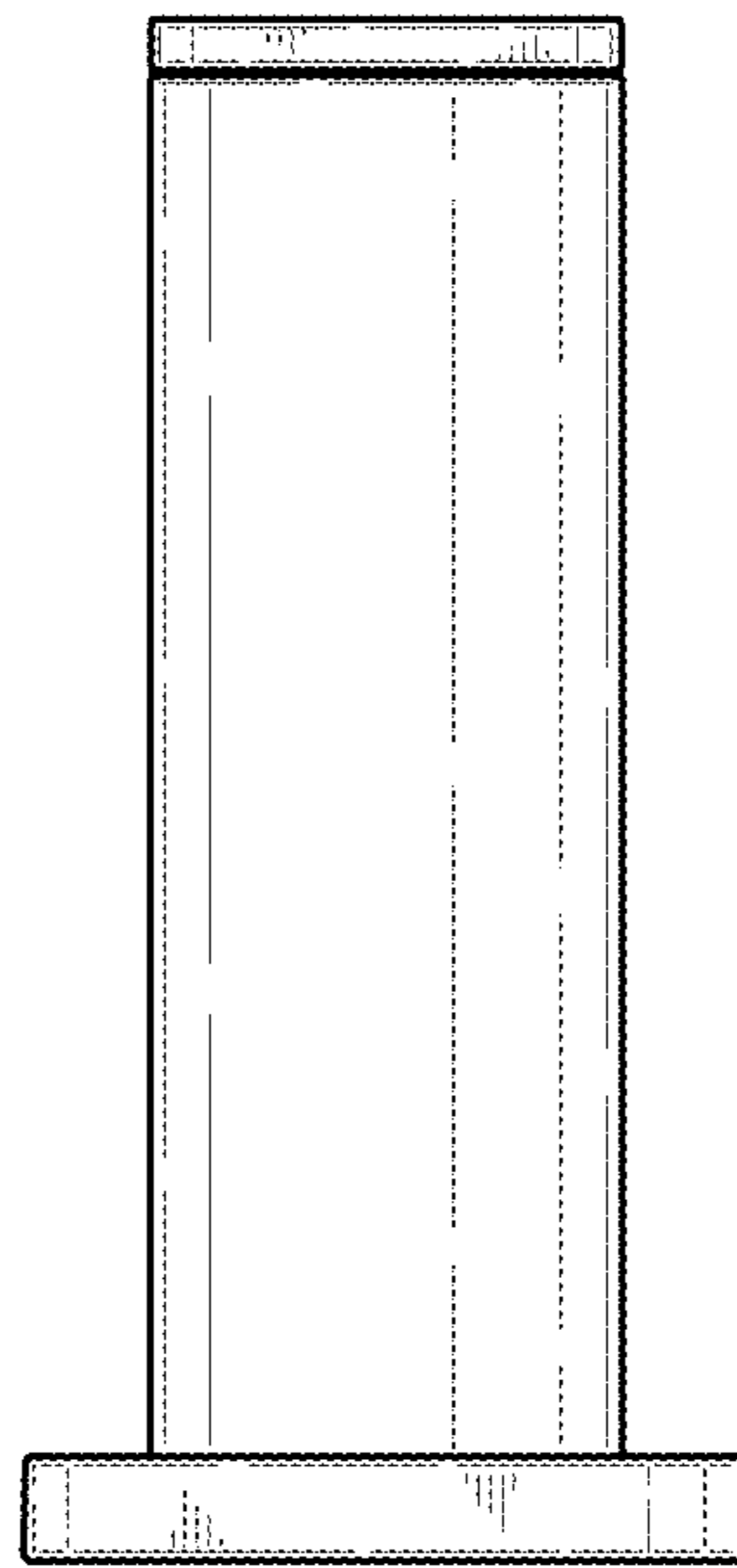


FIG. 4

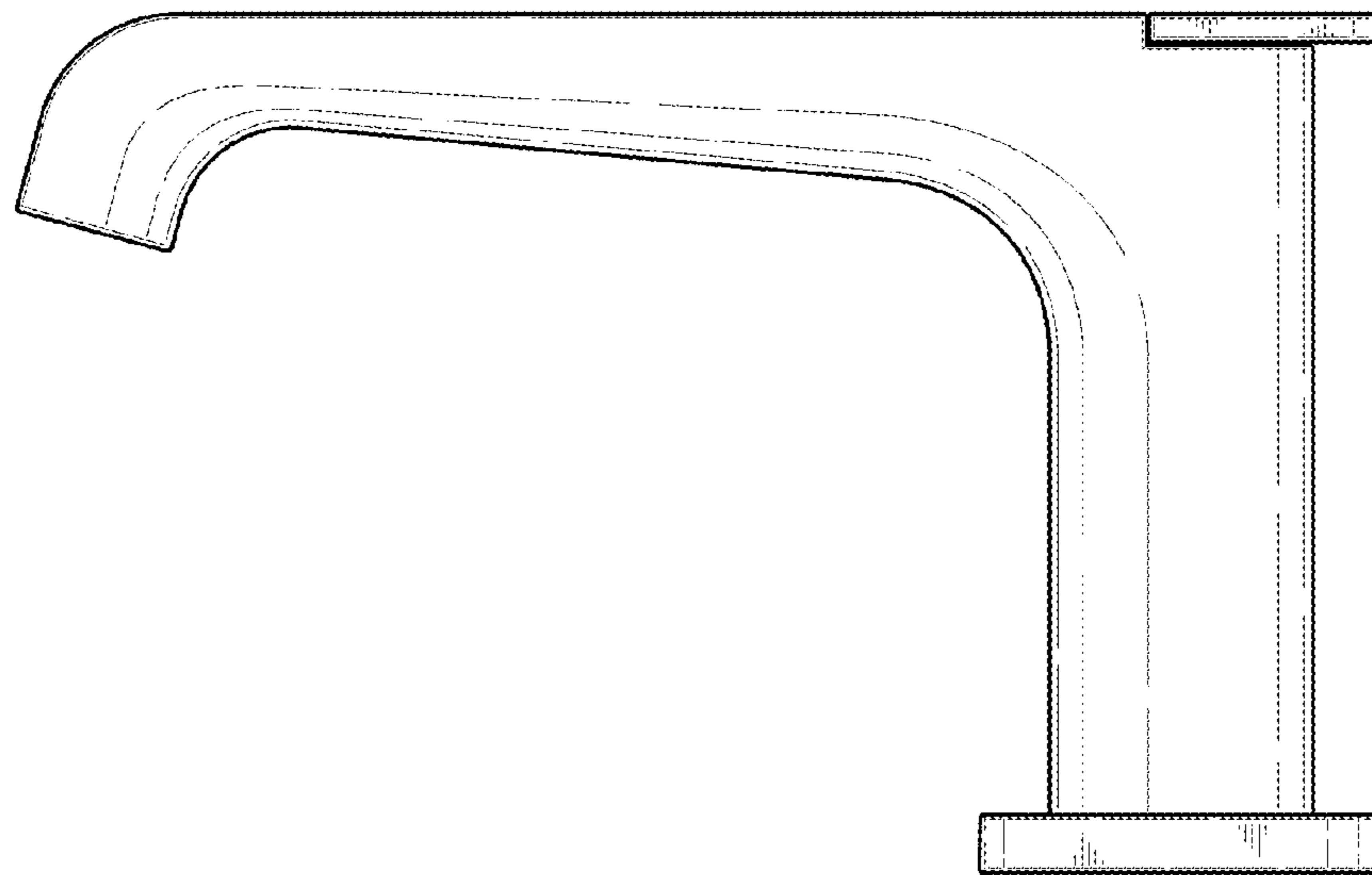


FIG. 5

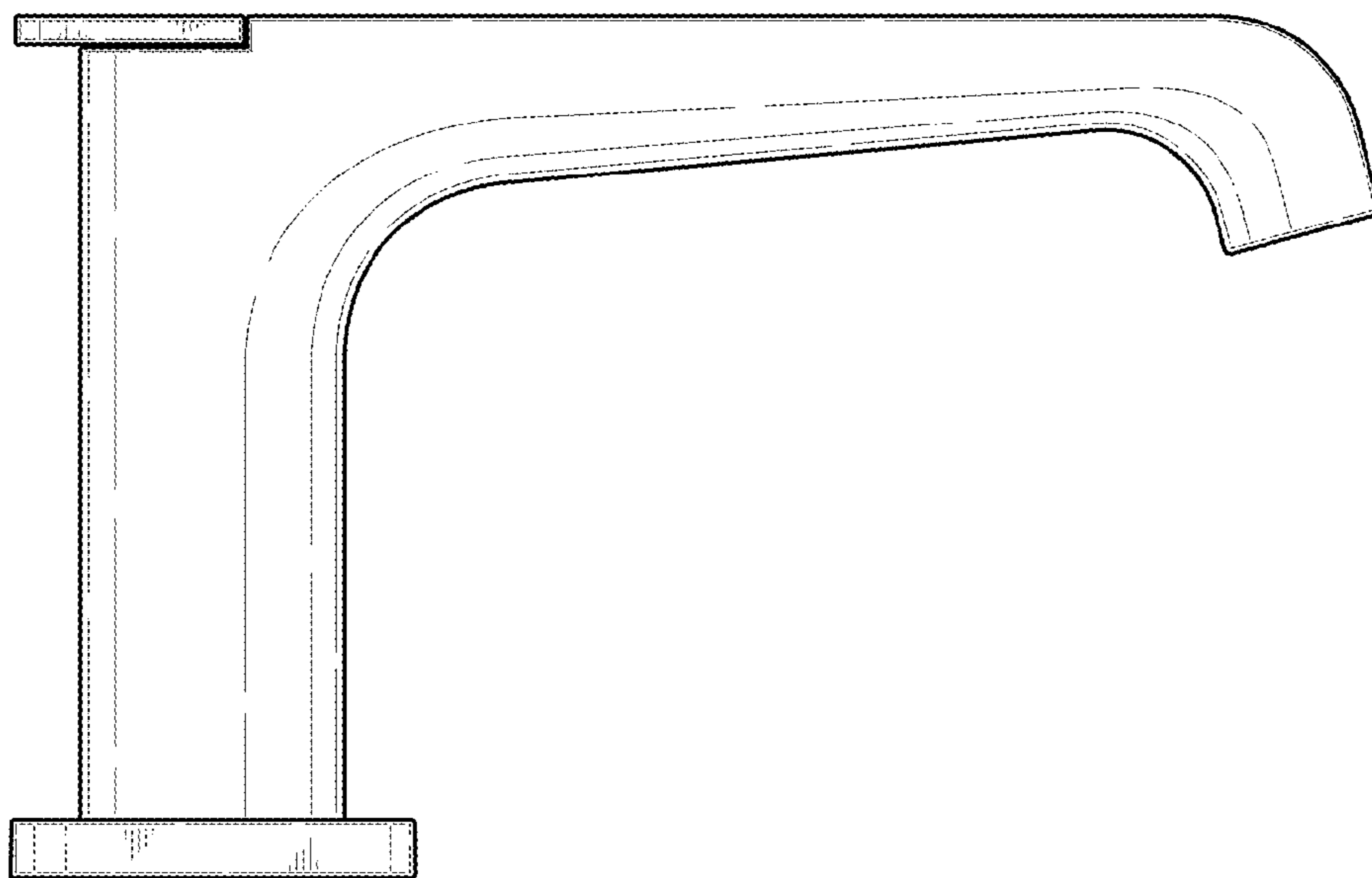


FIG. 6

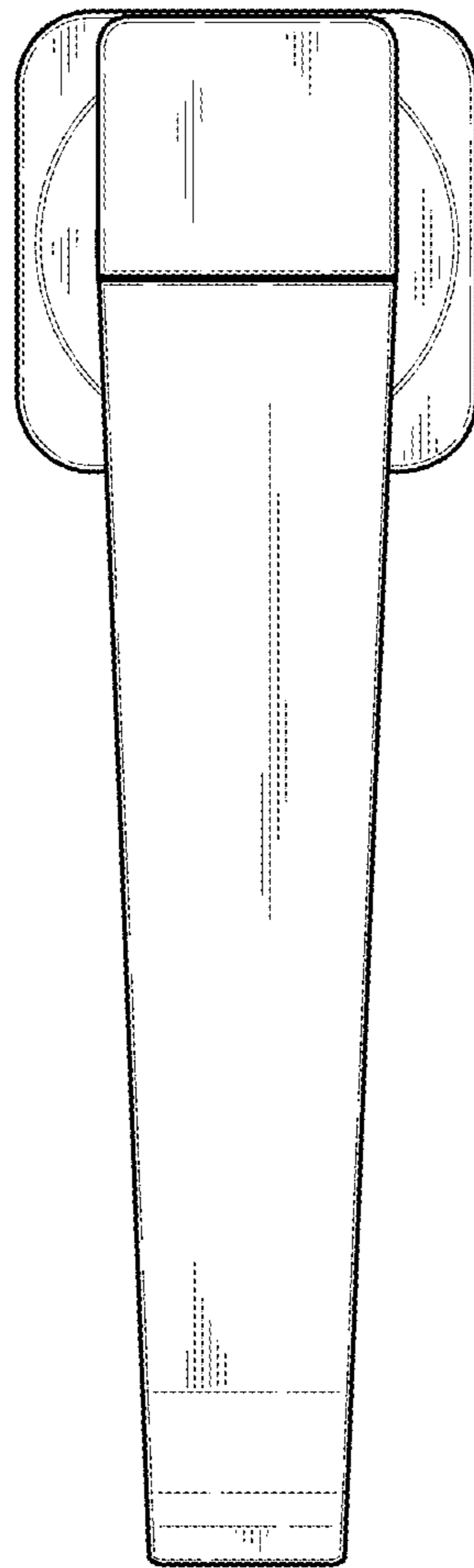


FIG. 7

