



US00D713016S

(12) **United States Design Patent**  
**Citterio**

(10) **Patent No.:** **US D713,016 S**  
(45) **Date of Patent:** **\*\* Sep. 9, 2014**

(54) **FAUCET SPOUT**

(71) Applicant: **Hansgrohe SE**, Schiltach (DE)

(72) Inventor: **Antonio Citterio**, Milan (IT)

(73) Assignee: **Hansgrohe SE**, Schiltach (DE)

(\*\*) Term: **14 Years**

(21) Appl. No.: **29/480,053**

(22) Filed: **Jan. 23, 2014**

(30) **Foreign Application Priority Data**

Jul. 26, 2013 (EM) ..... 001379093-0013

(51) **LOC (10) CL.** ..... **23-01**

(52) **U.S. CL.**  
USPC ..... **D23/255**

(58) **Field of Classification Search**  
USPC ..... D23/238–243, 249, 255, 257;  
4/675–678; 137/801  
See application file for complete search history.

(56) **References Cited**

**U.S. PATENT DOCUMENTS**

D475,124 S \* 5/2003 Citterio ..... D23/241  
D524,416 S 7/2006 Haug et al.  
D540,914 S 4/2007 Haug et al.

D568,444 S \* 5/2008 Lobermeier et al. .... D23/241  
D580,527 S \* 11/2008 Zhang ..... D23/255  
D581,492 S 11/2008 Schonherr et al.  
D615,629 S 5/2010 Bouroullec et al.

**FOREIGN PATENT DOCUMENTS**

EM 000723507-0005 5/2007  
EM 002013425-0014 3/2012  
EM 002188151-0011 2/2013

\* cited by examiner

*Primary Examiner* — Robert Delehanty

(74) *Attorney, Agent, or Firm* — Lora J. Graentzdoerffer

(57) **CLAIM**

The ornamental design for a faucet spout, as shown and described.

**DESCRIPTION**

FIG. 1 is a perspective view of a faucet spout showing my design;  
FIG. 2 is a front elevational view;  
FIG. 3 is a rear elevational view;  
FIG. 4 is a left side elevational view;  
FIG. 5 is a right side elevational view;  
FIG. 6 is a top plan view; and,  
FIG. 7 is a bottom plan view.

The broken lines in the drawings represent unclaimed portions of the design and form no part of the claimed design.

**1 Claim, 7 Drawing Sheets**

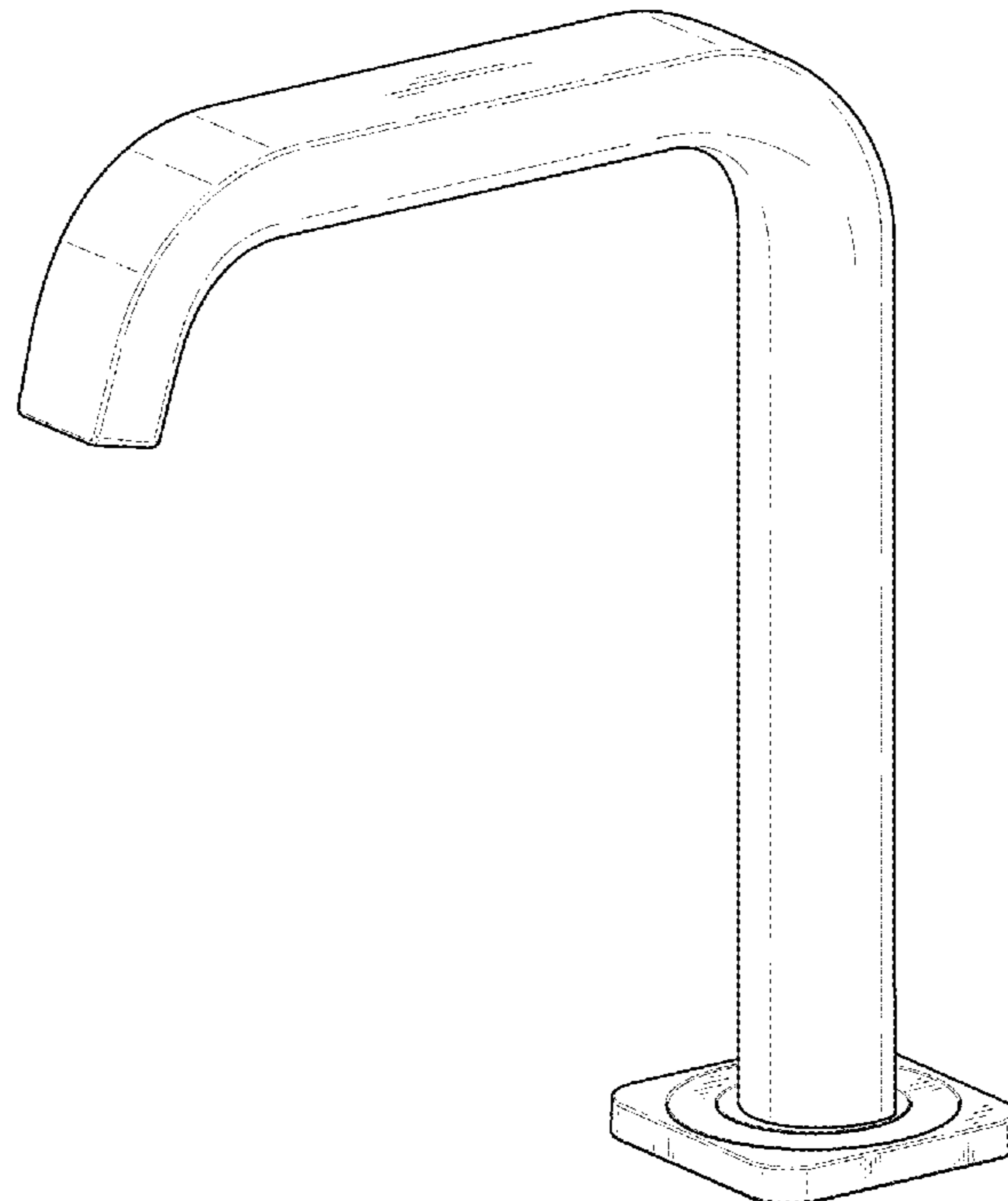


FIG. 1

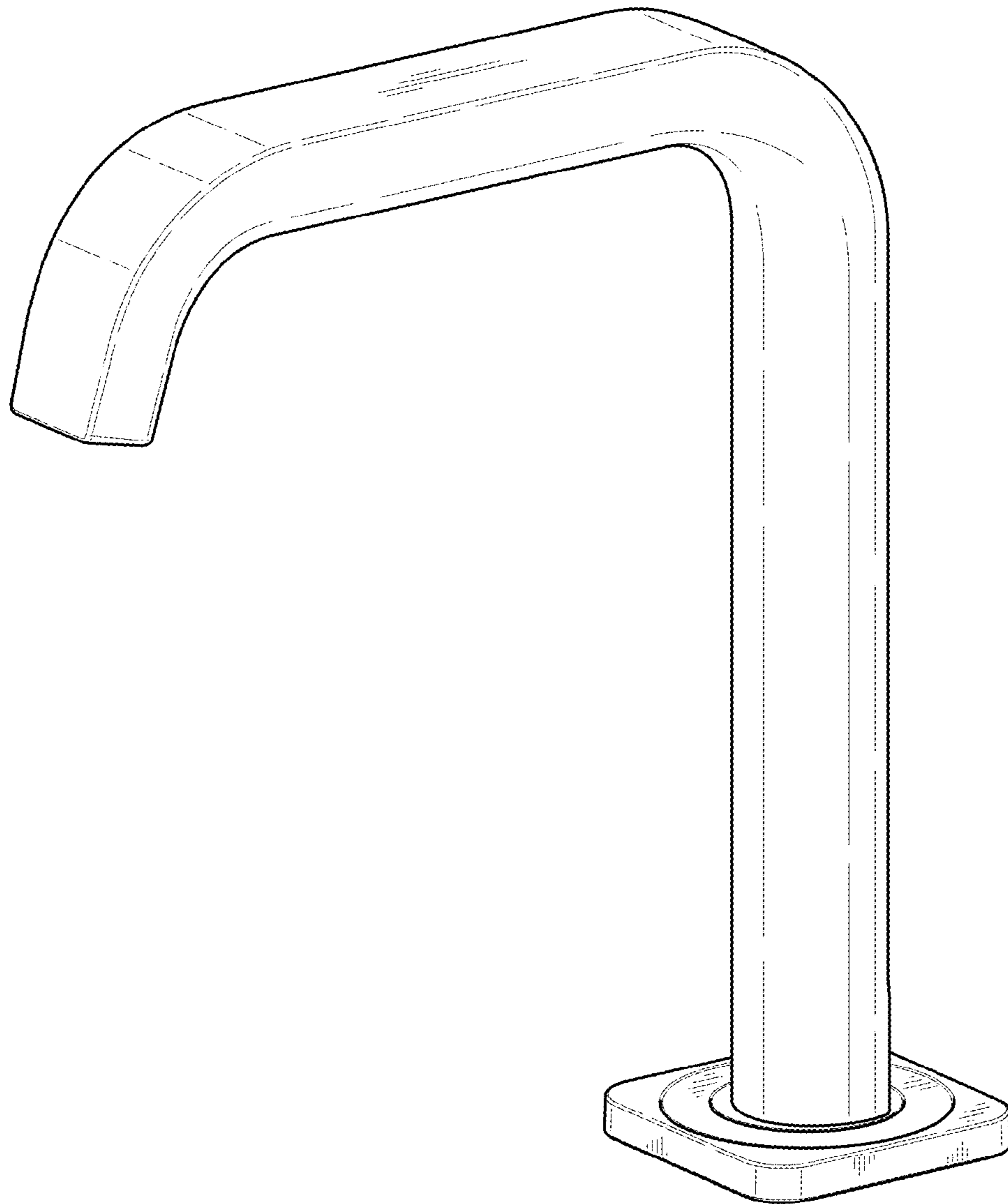


FIG. 2

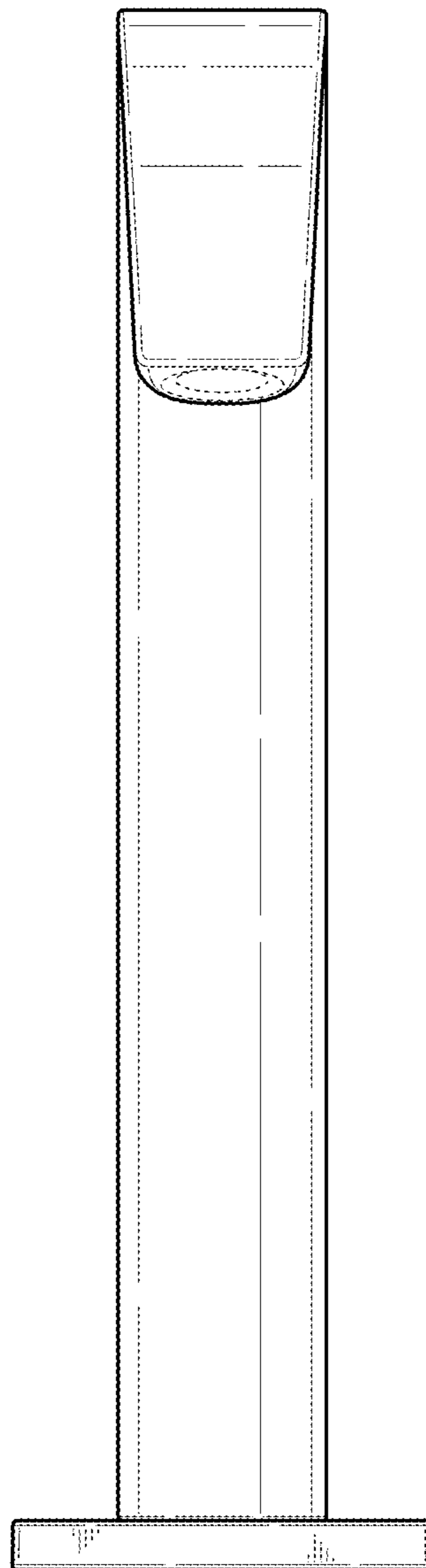


FIG. 3

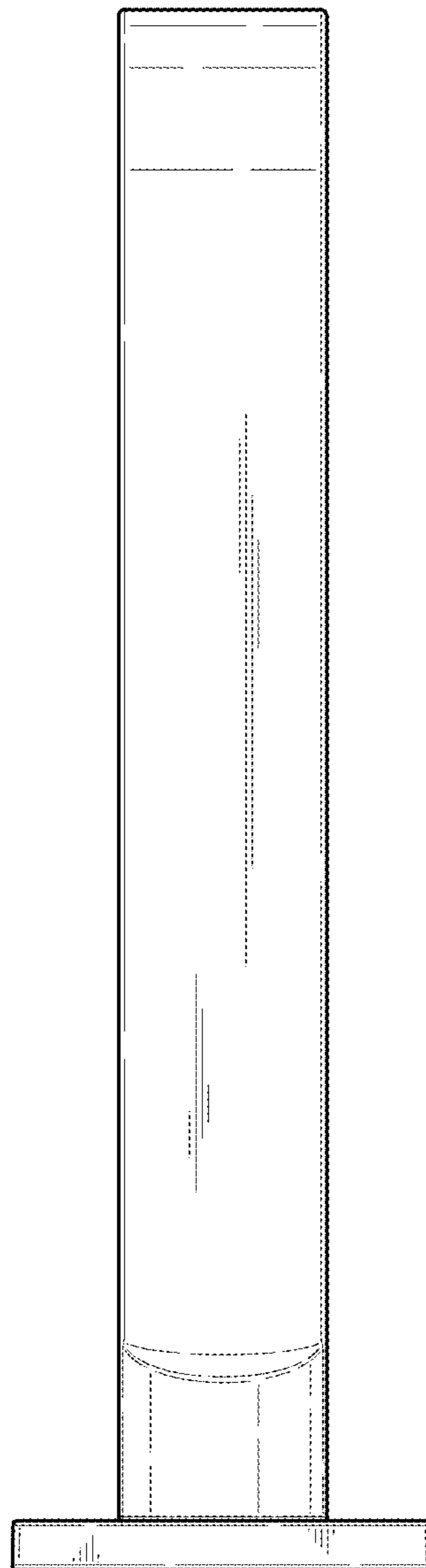


FIG. 4

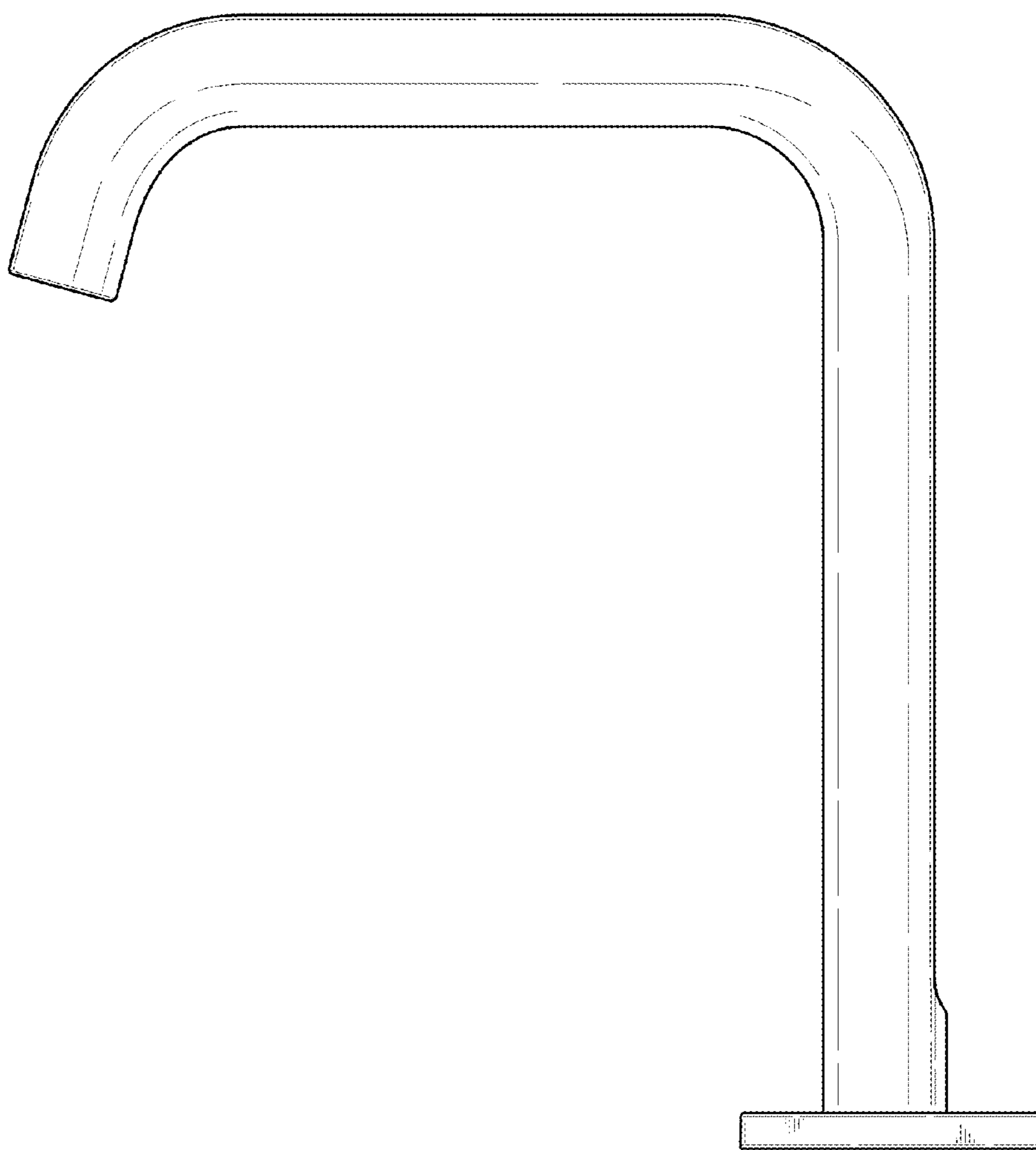


FIG. 5

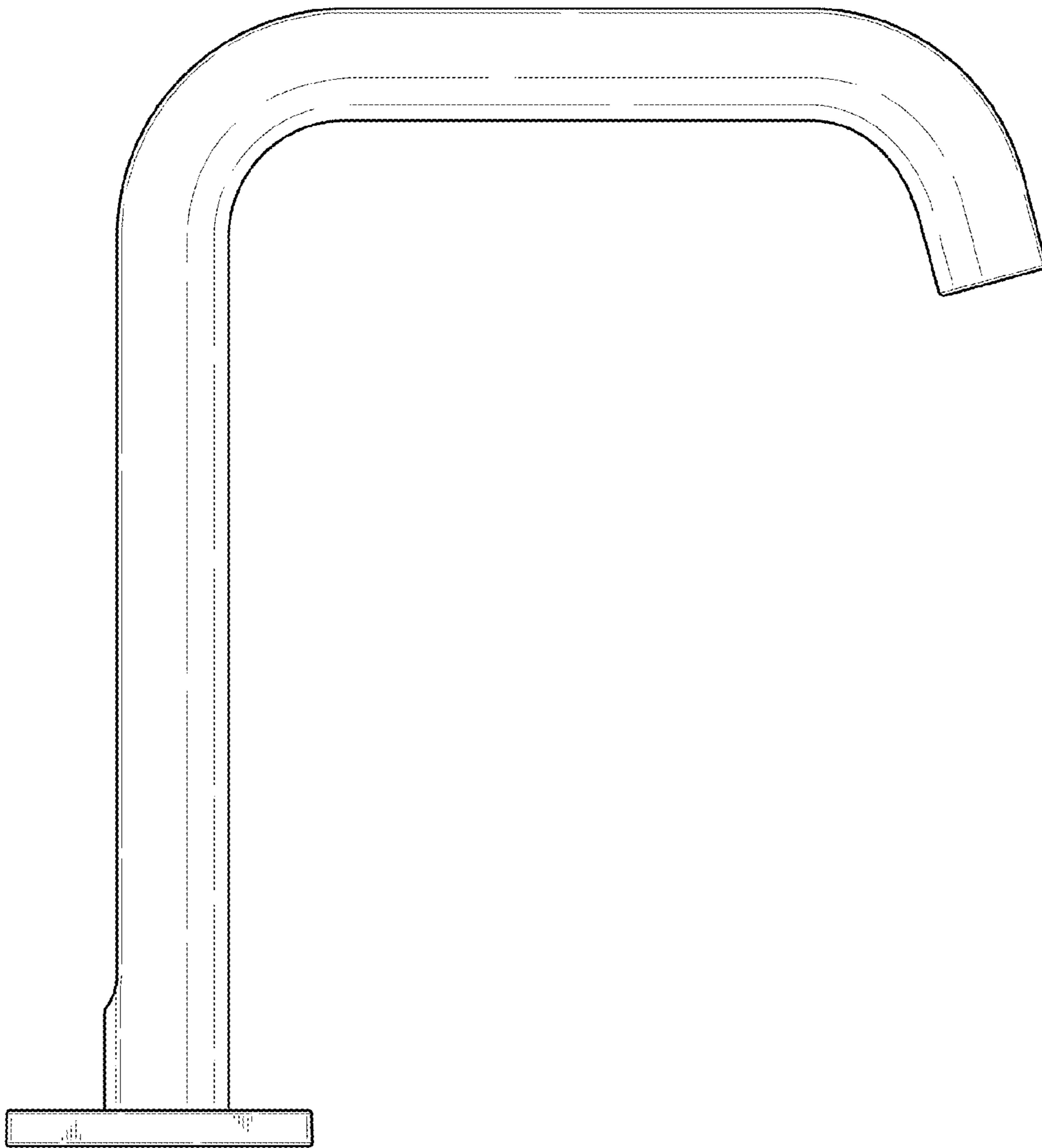


FIG. 6

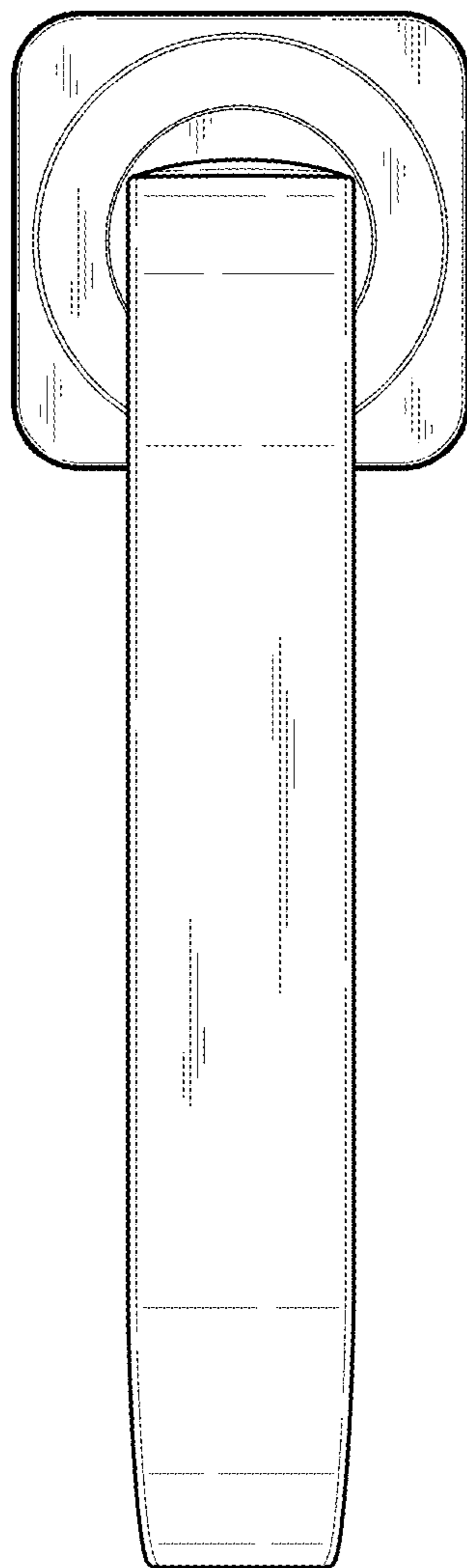


FIG. 7

