



US00D713015S

(12) **United States Design Patent**
Schoenherr et al.

(10) **Patent No.:** **US D713,015 S**
(45) **Date of Patent:** **** Sep. 9, 2014**

(54) **FAUCET HANDLE**

D541,908 S 5/2007 Haug et al
D669,557 S * 10/2012 Citterio D23/253
D676,939 S 2/2013 Kwok

(71) Applicant: **Hansgrohe SE**, Schiltach (DE)

(72) Inventors: **Tom Schoenherr**, Stuttgart (DE);
Andreas Diefenbach,
Ludwigsburg-Oßweil (DE); **Nancy**
Nguyen, Stuttgart (DE)

FOREIGN PATENT DOCUMENTS

EM 000763834-0006 7/2007

* cited by examiner

(73) Assignee: **Hansgrohe SE**, Schiltach (DE)

Primary Examiner — Robert Delehanty

(**) Term: **14 Years**

(74) *Attorney, Agent, or Firm* — Lora J. Graentzdoerffer

(21) Appl. No.: **29/480,445**

(22) Filed: **Jan. 27, 2014**

(57) **CLAIM**

The ornamental design for a faucet handle, as shown and described.

(30) **Foreign Application Priority Data**

Jul. 29, 2013 (EM) 001379184-0005

(51) **LOC (10) Cl.** **23-01**

(52) **U.S. Cl.**
USPC **D23/253**

(58) **Field of Classification Search**
USPC D23/238–243, 249–250, 253;
4/675–678; 137/801

See application file for complete search history.

DESCRIPTION

FIG. 1 is a perspective view;
FIG. 2 is a left side elevational view;
FIG. 3 is a right side elevational view;
FIG. 4 is a top plan view;
FIG. 5 is a bottom plan view;
FIG. 6 is a front elevational view; and,
FIG. 7 is a rear elevational view.
The broken-line disclosure in the views represents portions of the article in which the claimed design is embodied, but which form no part of the claimed design.

(56) **References Cited**

U.S. PATENT DOCUMENTS

D268,517 S * 4/1983 Thompson D23/254
D484,950 S 1/2004 Blattner

1 Claim, 7 Drawing Sheets

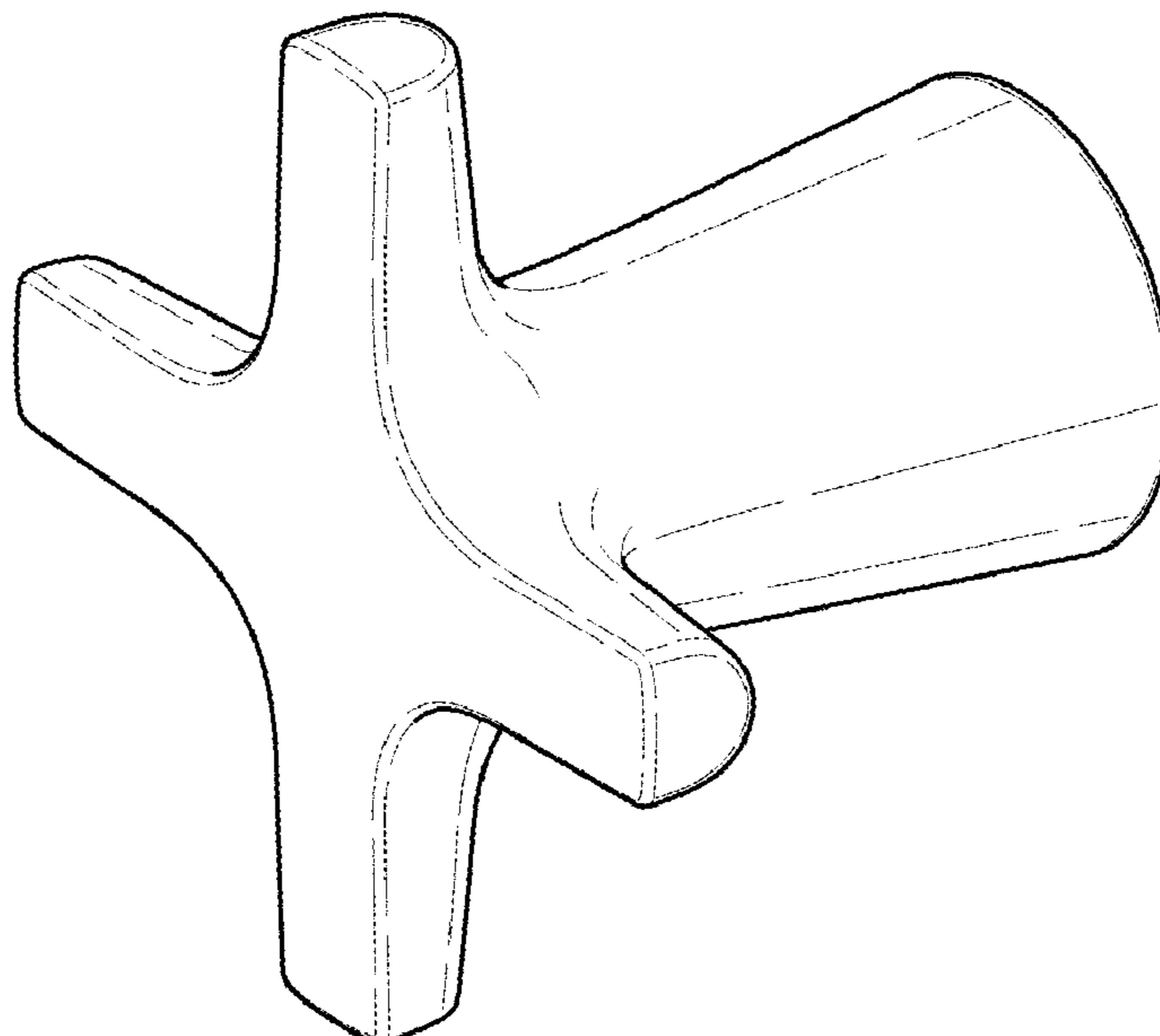


FIG. 1

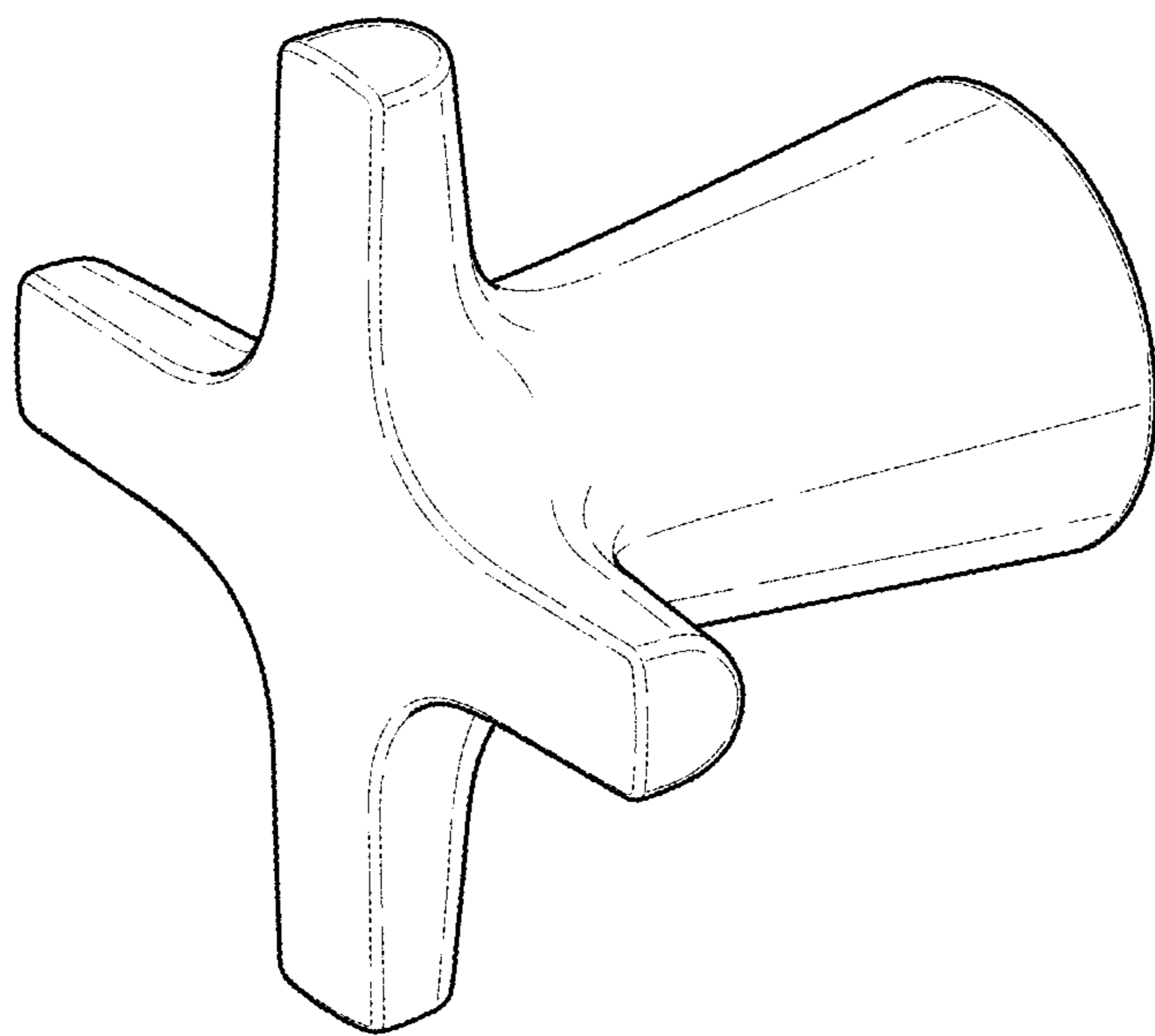


FIG. 2

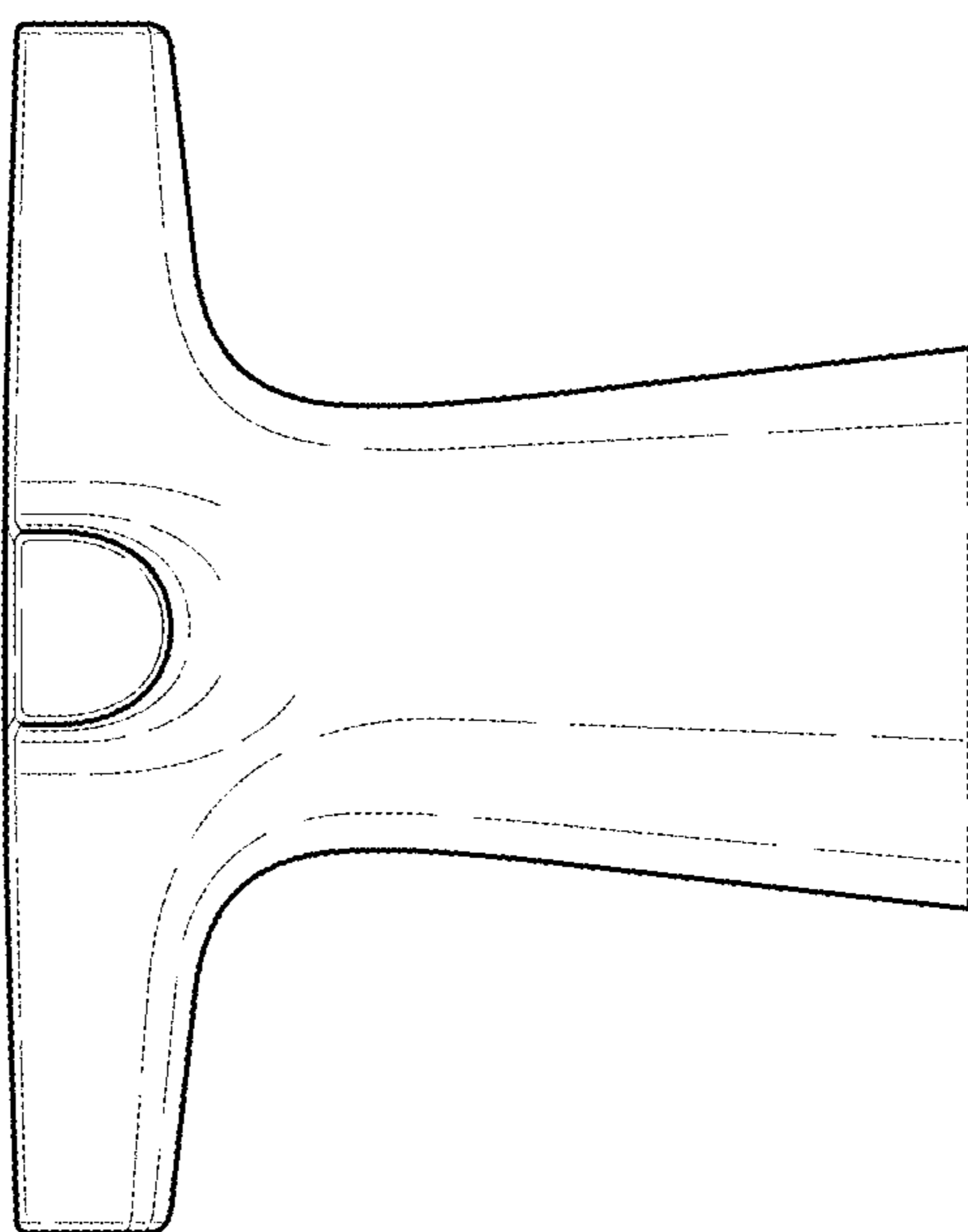


FIG. 3

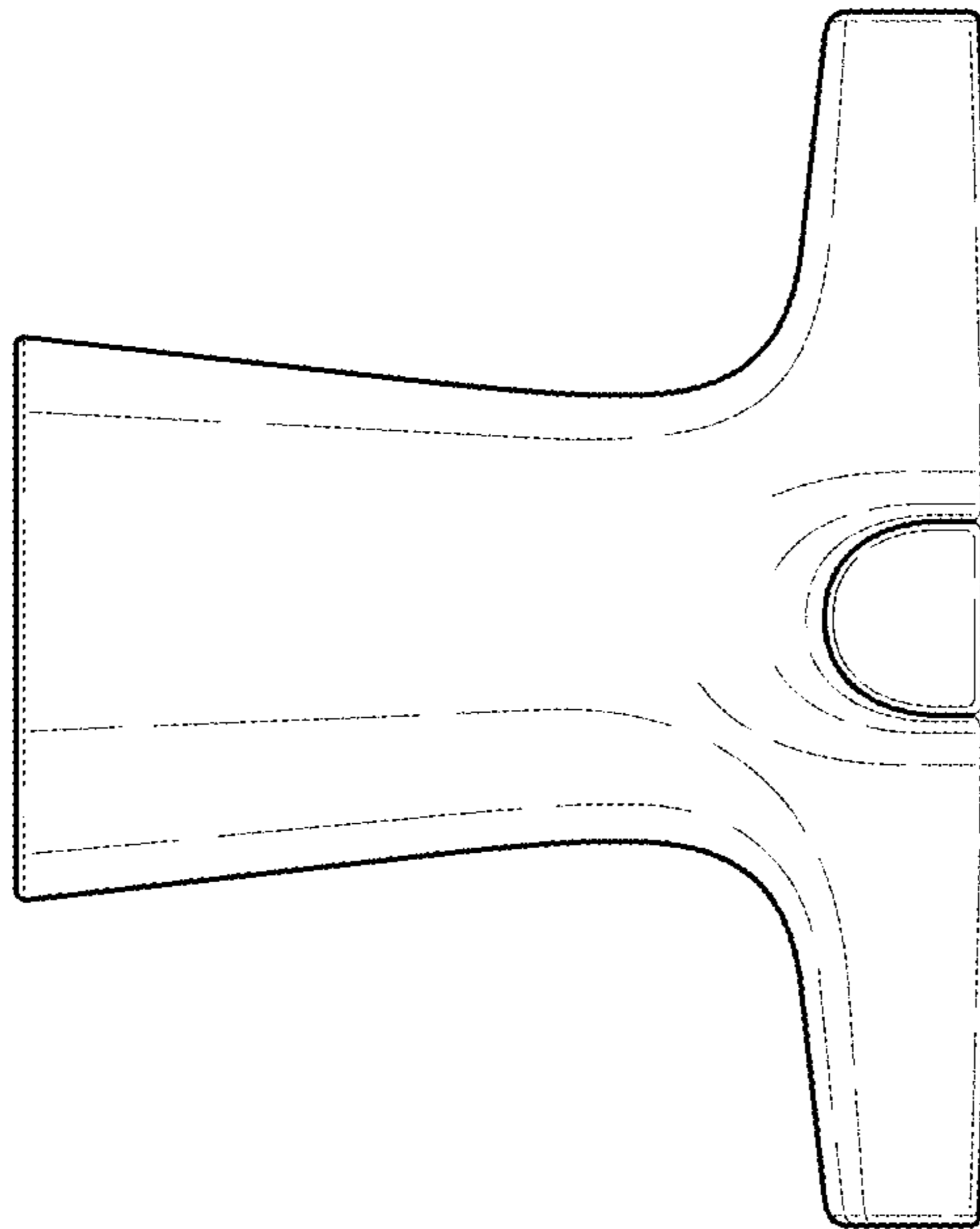


FIG. 4

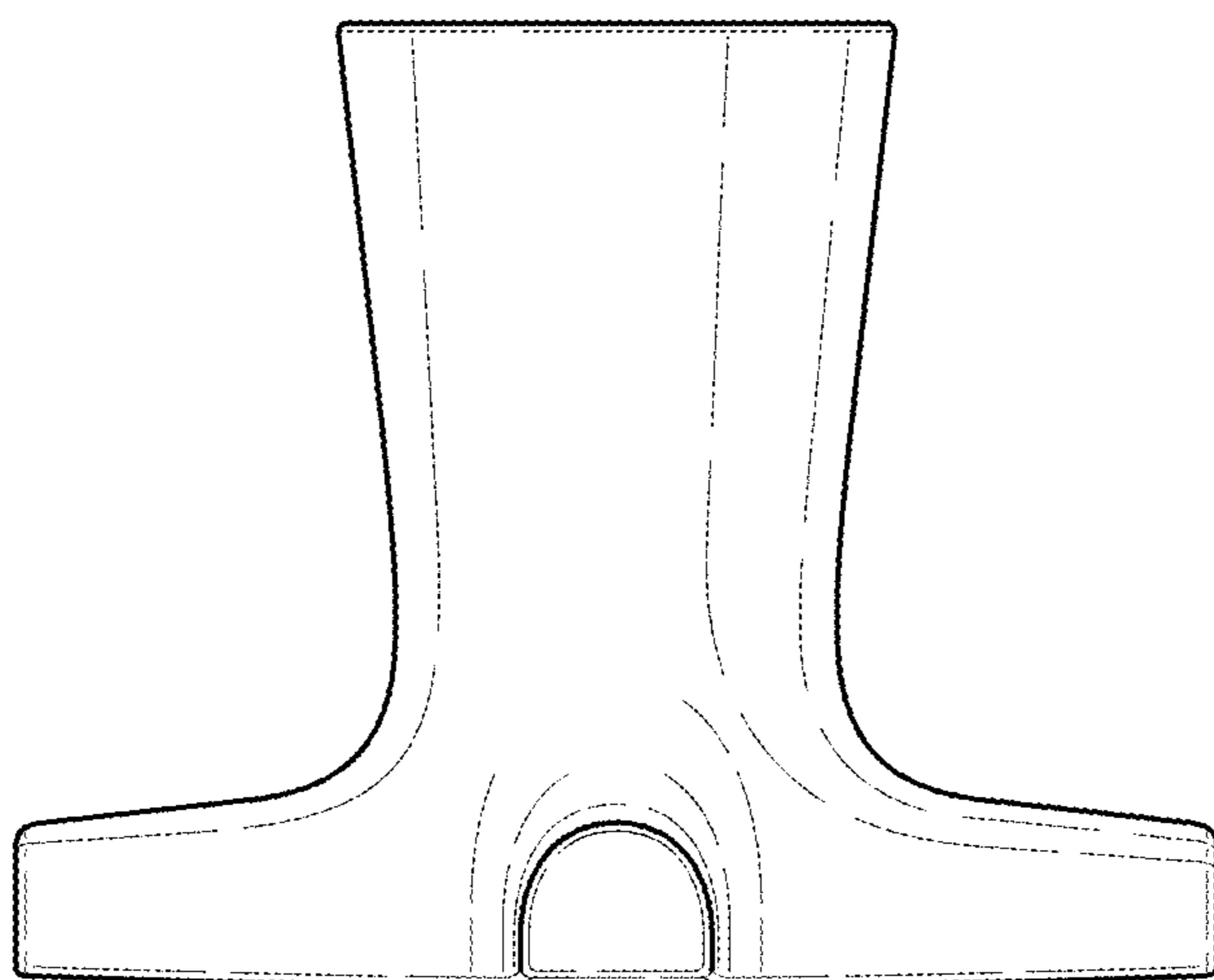


FIG. 5

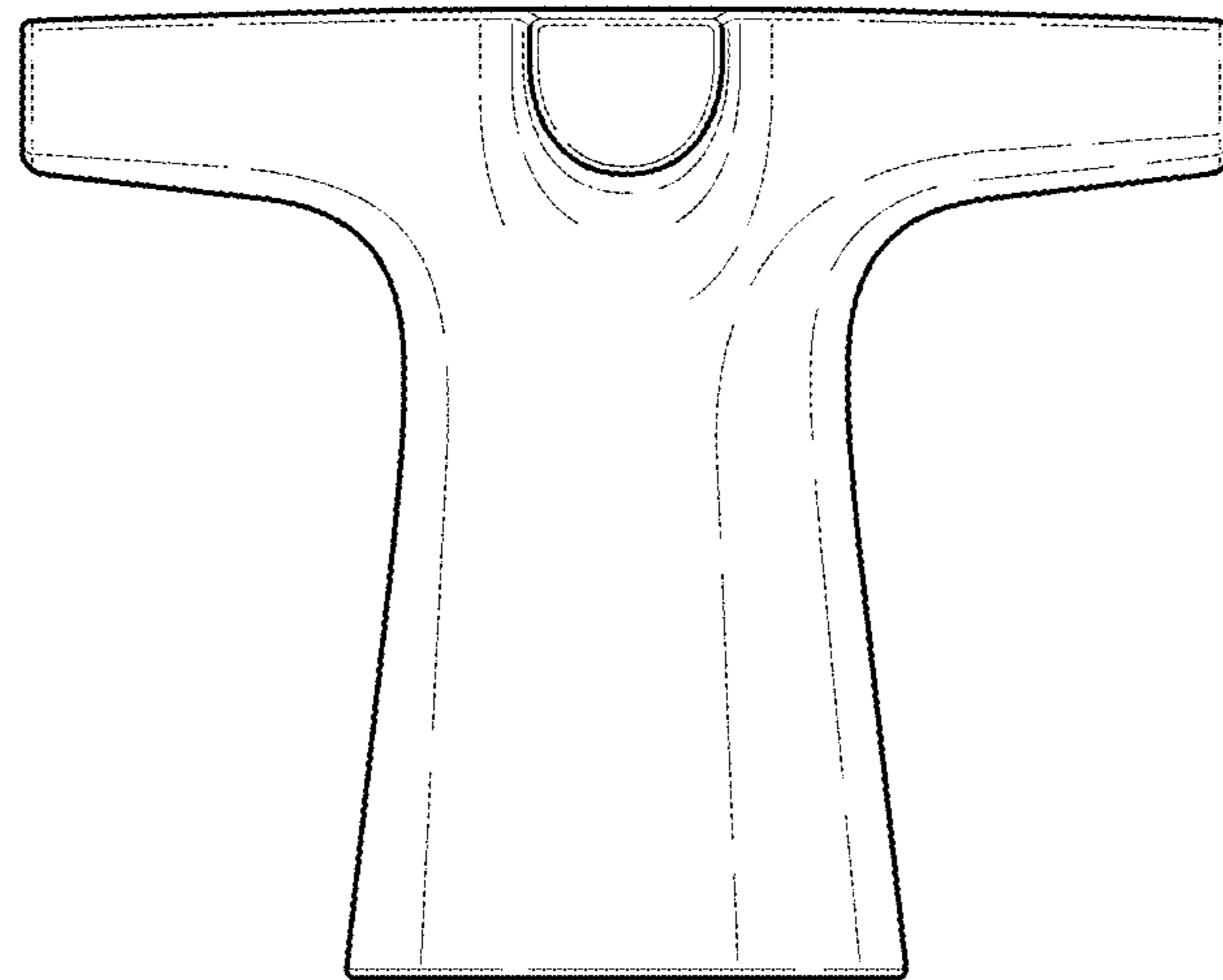


FIG. 6

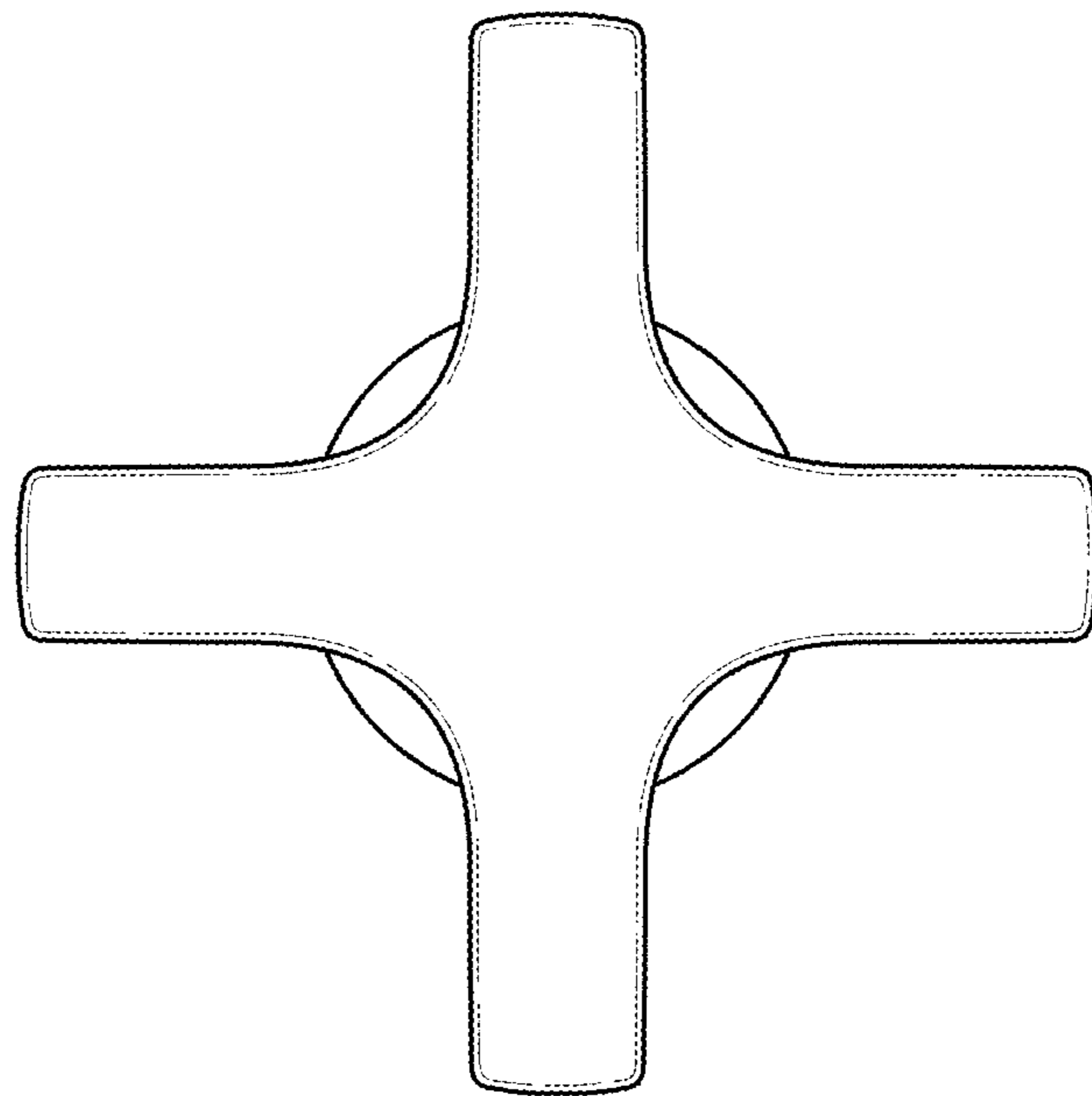


FIG. 7

