



US00D713014S

(12) **United States Design Patent**
Schoenherr et al.

(10) **Patent No.:** **US D713,014 S**
(45) **Date of Patent:** **** Sep. 9, 2014**

(54) **FAUCET HANDLE**

FOREIGN PATENT DOCUMENTS

(71) Applicant: **Hansgrohe SE**, Schiltach (DE)
(72) Inventors: **Tom Schoenherr**, Stuttgart (DE); **Marco Flaig**, Stuttgart (DE)

EM 001784133-0001 11/2010
EM 001336481-0075 7/2012
EM 001336481-0095 7/2012
EM 002094656-0013 8/2012

* cited by examiner

(73) Assignee: **Hansgrohe SE**, Schiltach (DE)

Primary Examiner — Robert Delehanty

(**) Term: **14 Years**

(74) *Attorney, Agent, or Firm* — Lora J. Graentzdoerffer

(21) Appl. No.: **29/487,025**

(22) Filed: **Apr. 4, 2014**

(57) **CLAIM**

The ornamental design for a faucet handle, as shown and described.

(30) **Foreign Application Priority Data**

Oct. 24, 2013 (EM) 001387799-0001

(51) **LOC (10) Cl.** **23-01**

(52) **U.S. Cl.**
USPC **D23/252**

(58) **Field of Classification Search**
USPC D23/238, 241–243, 249–250, 252, 245;
4/675–678; 137/801; D7/398
See application file for complete search history.

DESCRIPTION

FIG. 1 is a perspective view;
FIG. 2 is a front elevational view;
FIG. 3 is a rear elevational view;
FIG. 4 is a left side elevational view;
FIG. 5 is a right side elevational view;
FIG. 6 is a top plan view; and,
FIG. 7 is a bottom plan view.
The broken-line disclosure in the views represents portions of the article in which the claimed design is embodied, but which form no part of the claimed design.

(56) **References Cited**

U.S. PATENT DOCUMENTS

D661,375 S * 6/2012 Citterio D23/252
D682,992 S * 5/2013 Obara et al. D23/242

1 Claim, 7 Drawing Sheets

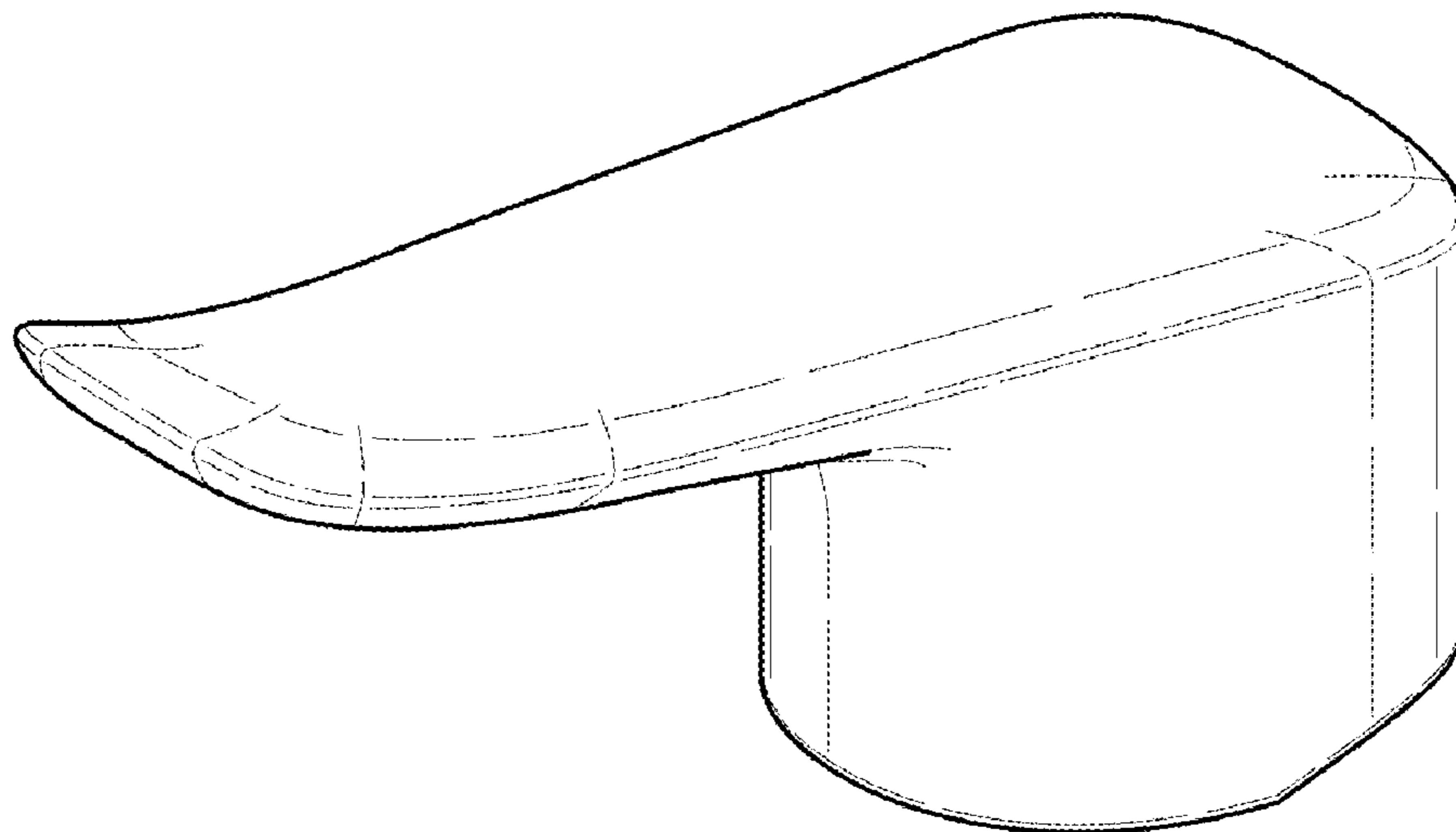


FIG. 1

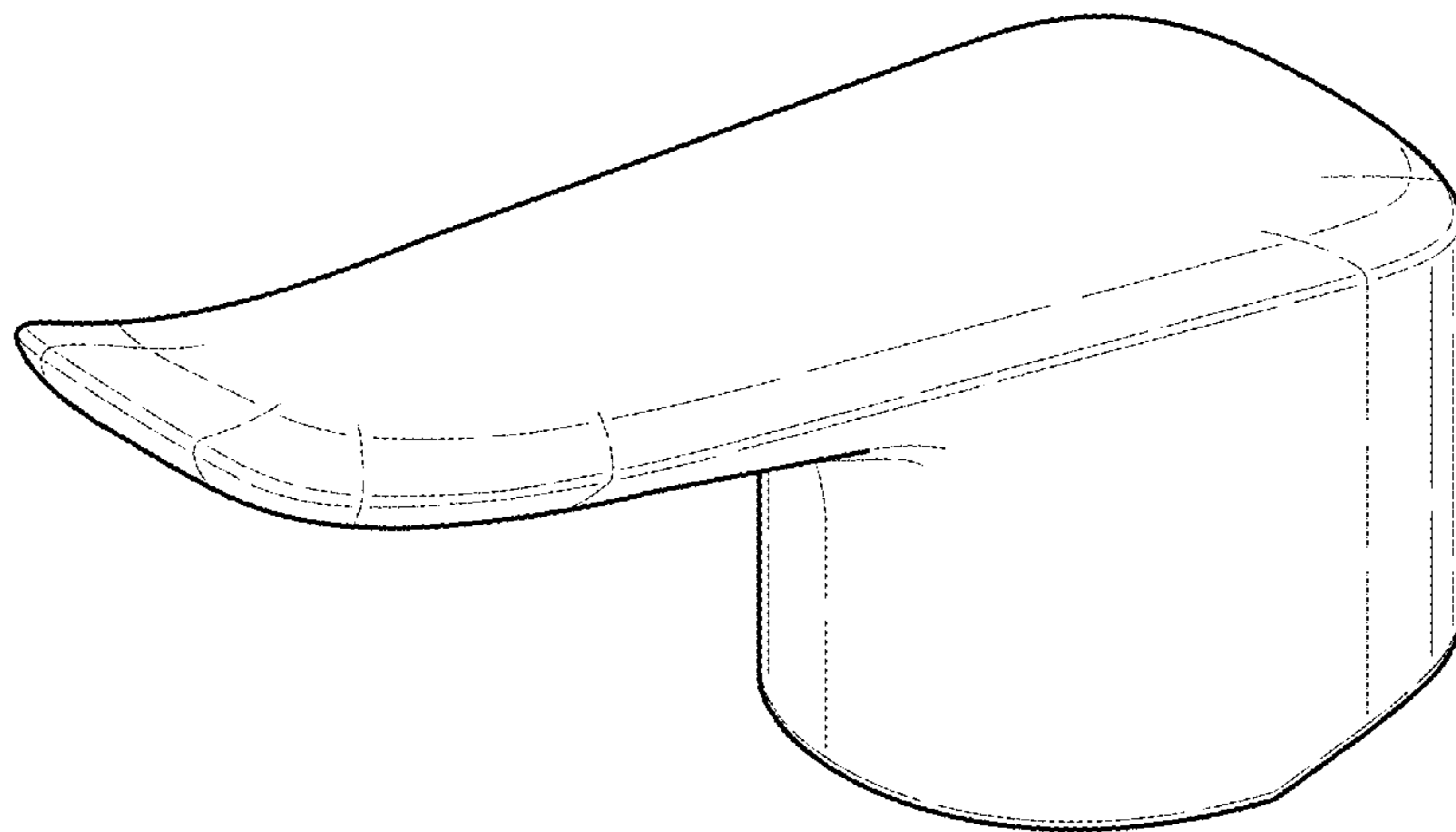


FIG. 2

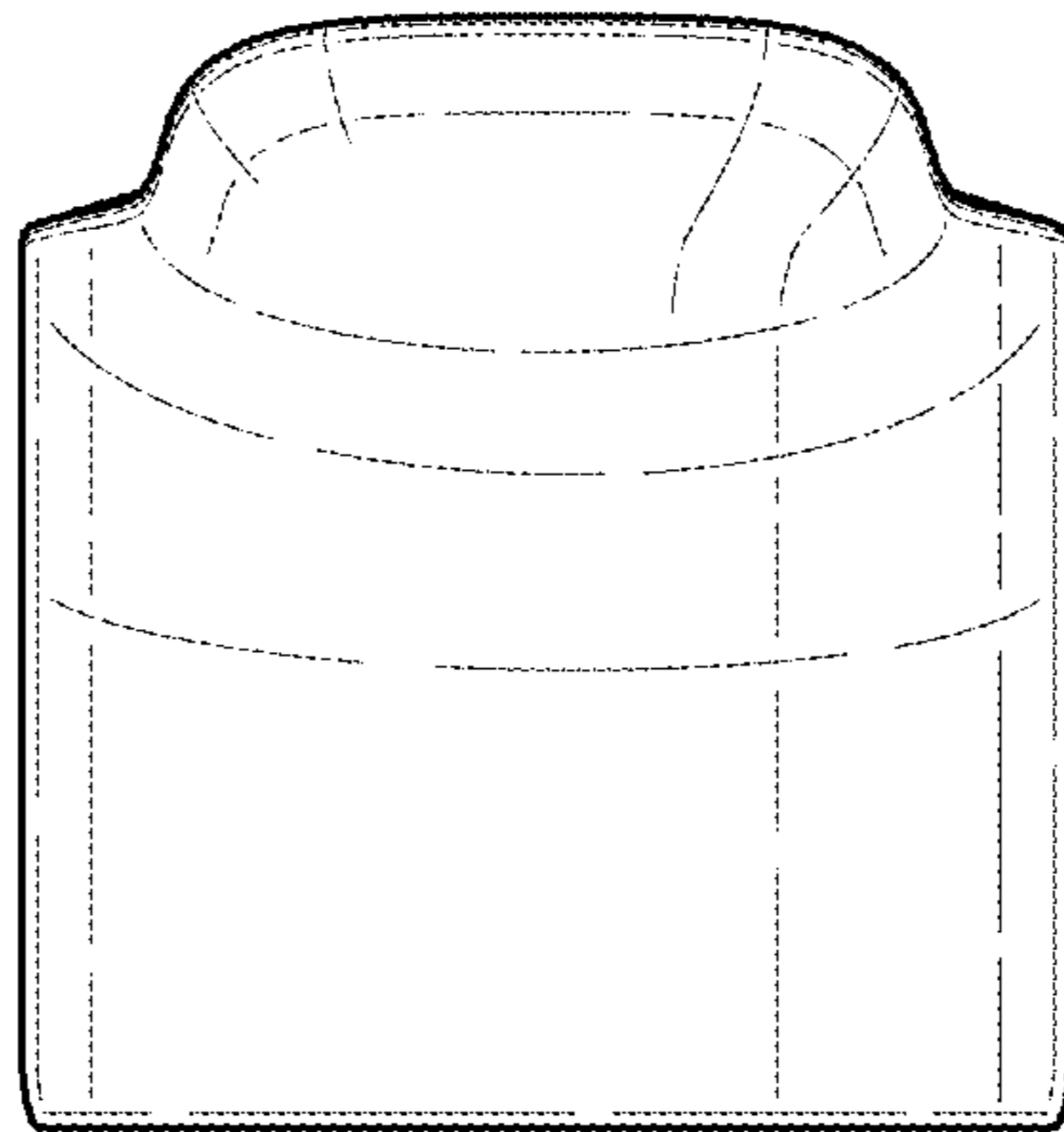


FIG. 3

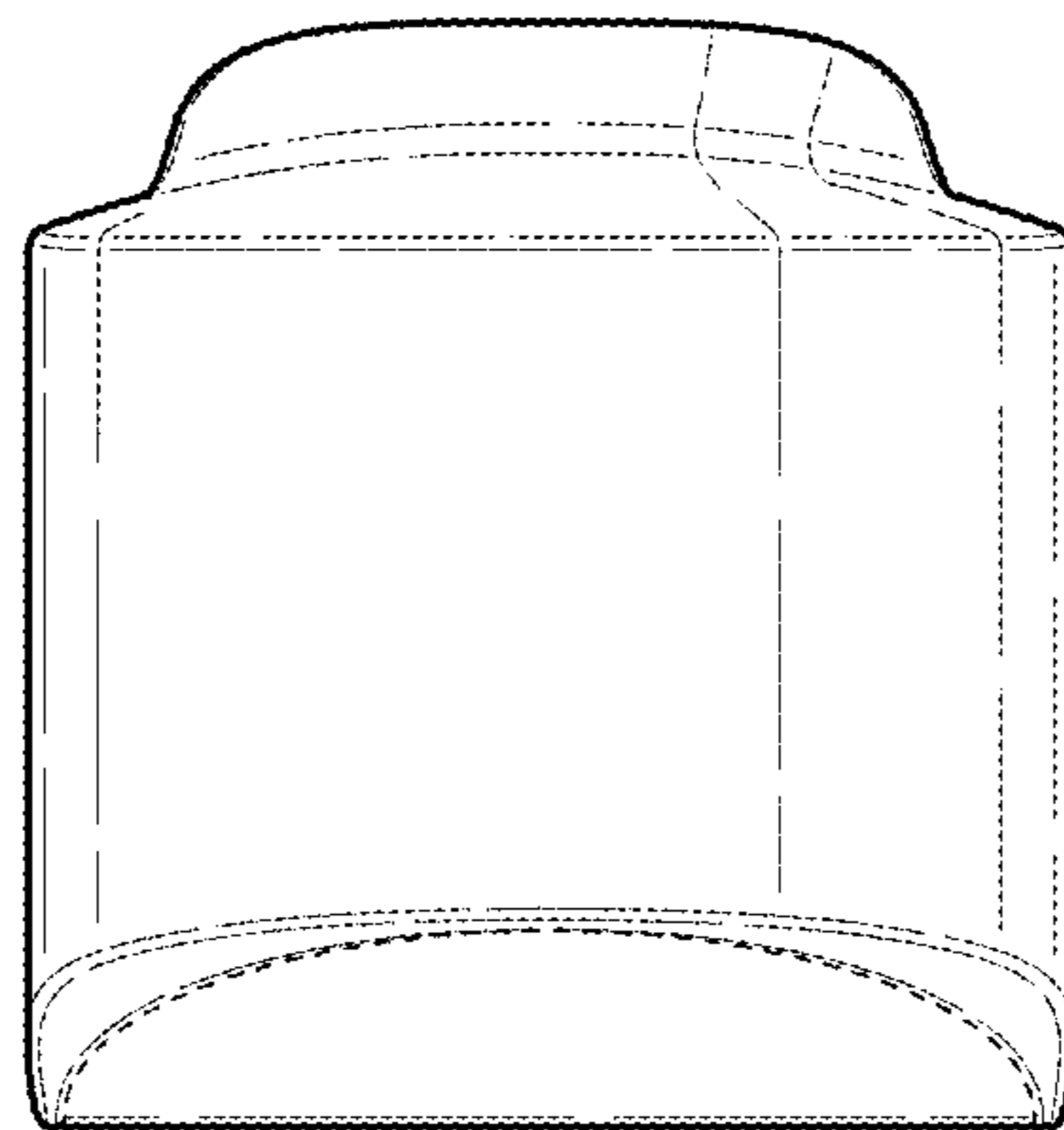


FIG. 4

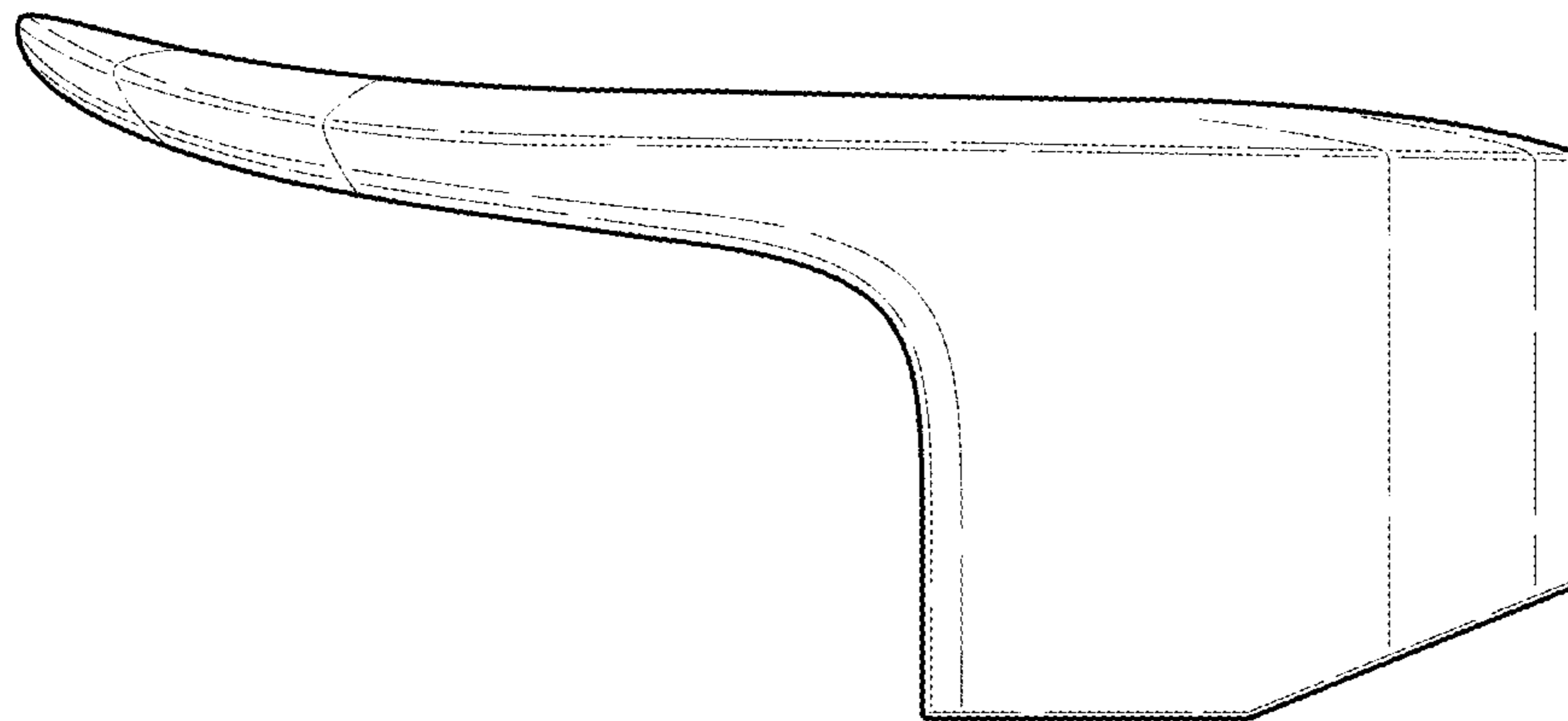


FIG. 5

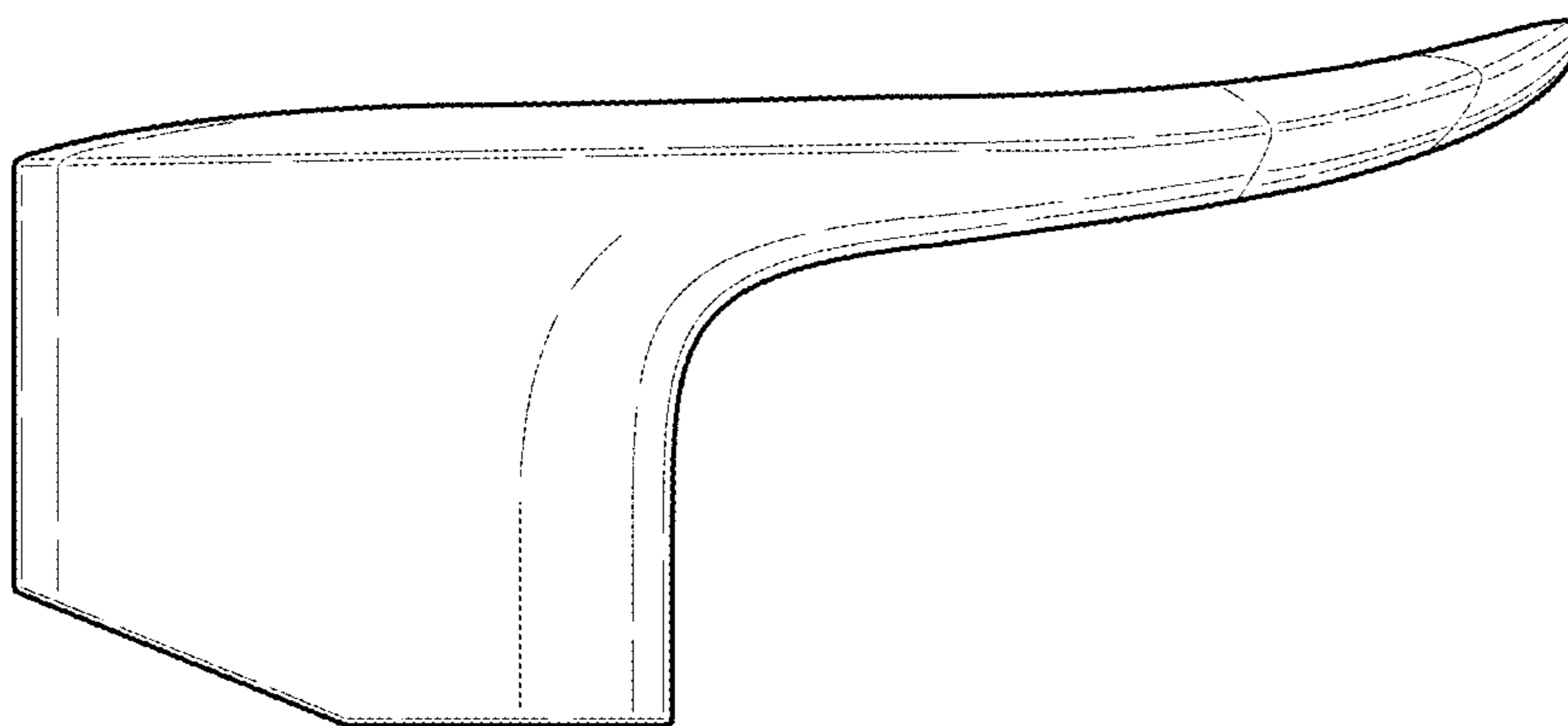


FIG. 6

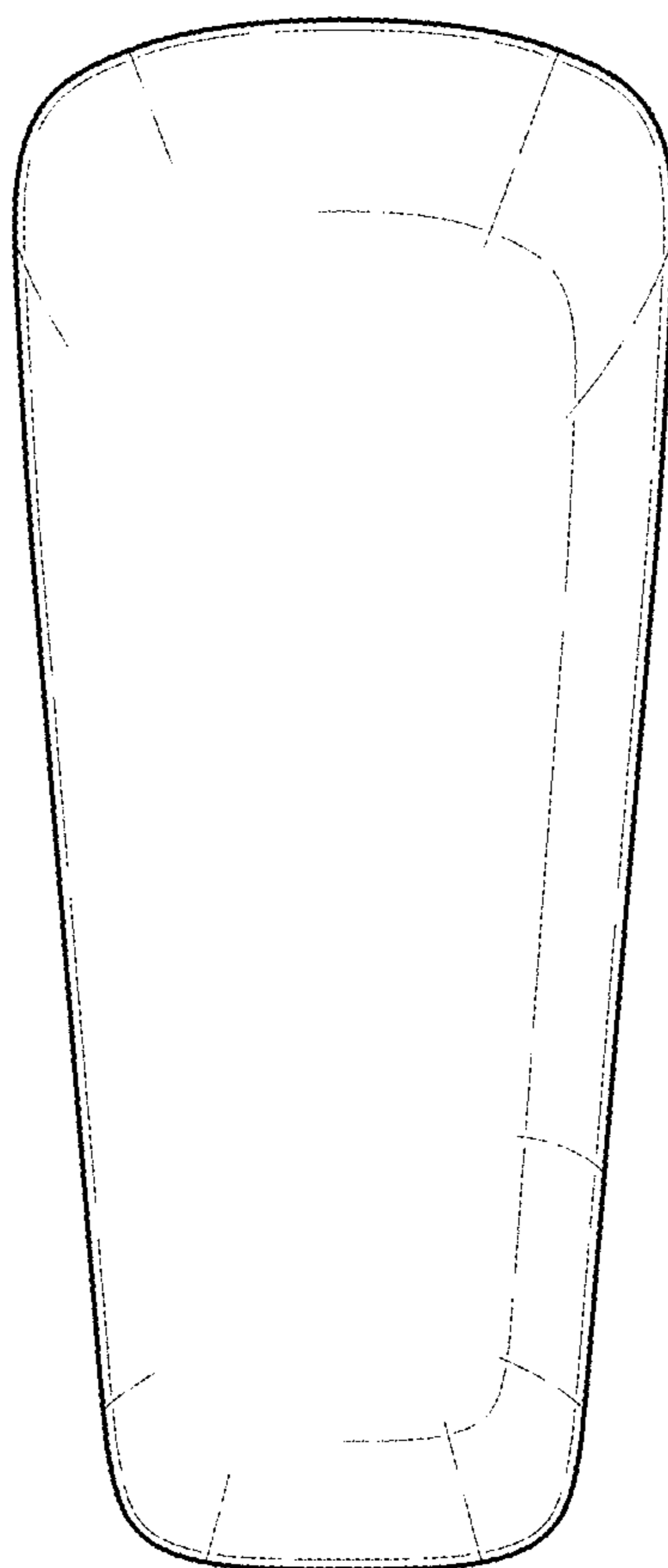


FIG. 7

