



US00D713013S

(12) **United States Design Patent**  
**Schoenherr et al.**

(10) **Patent No.:** **US D713,013 S**  
(45) **Date of Patent:** **\*\* Sep. 9, 2014**

(54) **FAUCET HANDLE**

FOREIGN PATENT DOCUMENTS

(71) Applicant: **Hansgrohe SE**, Schiltach (DE)  
(72) Inventors: **Tom Schoenherr**, Stuttgart (DE); **Marco Flaig**, Stuttgart (DE)

EM 002040436-0003 5/2012  
EM 002051433-0006 6/2012  
EM 002163337-0004 1/2013  
EM 001364400-0071 3/2013

\* cited by examiner

(73) Assignee: **Hansgrohe SE**, Schiltach (DE)

*Primary Examiner* — Robert Delehanty

(\*\*) Term: **14 Years**

(74) *Attorney, Agent, or Firm* — Lora J. Graentzdoerffer

(21) Appl. No.: **29/487,017**

(22) Filed: **Apr. 4, 2014**

(57) **CLAIM**

(30) **Foreign Application Priority Data**

The ornamental design for a faucet handle, as shown and described.

Oct. 24, 2013 (EM) ..... 001387799-0001

(51) **LOC (10) Cl.** ..... **23-01**

(52) **U.S. Cl.**  
USPC ..... **D23/252**

(58) **Field of Classification Search**  
USPC ..... D23/238, 241–243, 249–250, 252, 245;  
4/675–678; 137/801; D7/398  
See application file for complete search history.

**DESCRIPTION**

FIG. 1 is a perspective view;  
FIG. 2 is a front elevational view;  
FIG. 3 is a rear elevational view;  
FIG. 4 is a left side elevational view;  
FIG. 5 is a right side elevational view;  
FIG. 6 is a top plan view; and,  
FIG. 7 is a bottom plan view.  
The broken-line disclosure in the views represents portions of the article in which the claimed design is embodied, but which form no part of the claimed design.

(56) **References Cited**

U.S. PATENT DOCUMENTS

D608,418 S 1/2010 Schoenherr et al.  
D661,375 S \* 6/2012 Citterio ..... D23/252  
D671,195 S 11/2012 Huang  
D682,992 S \* 5/2013 Obara et al. .... D23/242

**1 Claim, 7 Drawing Sheets**

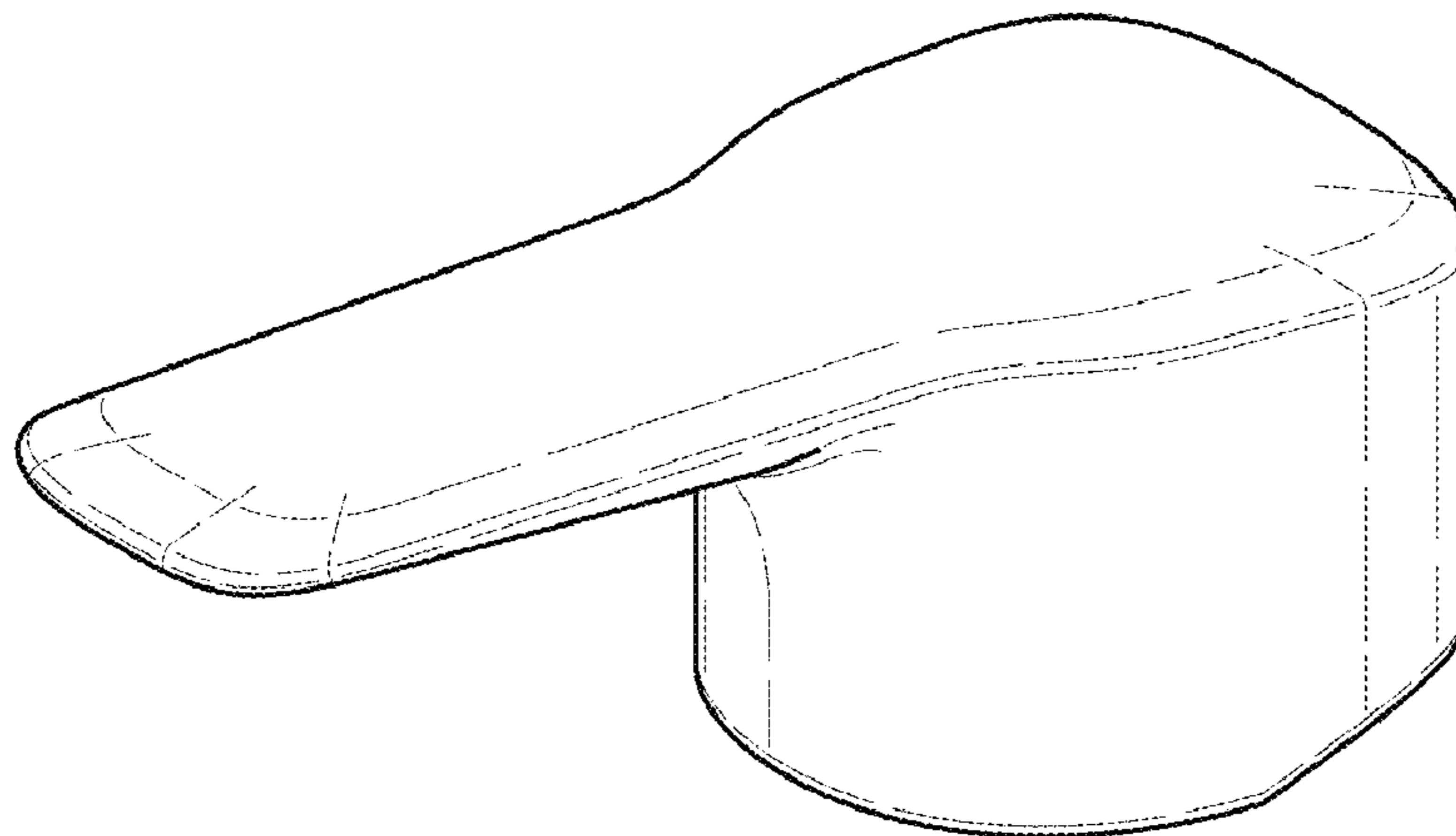


FIG. 1

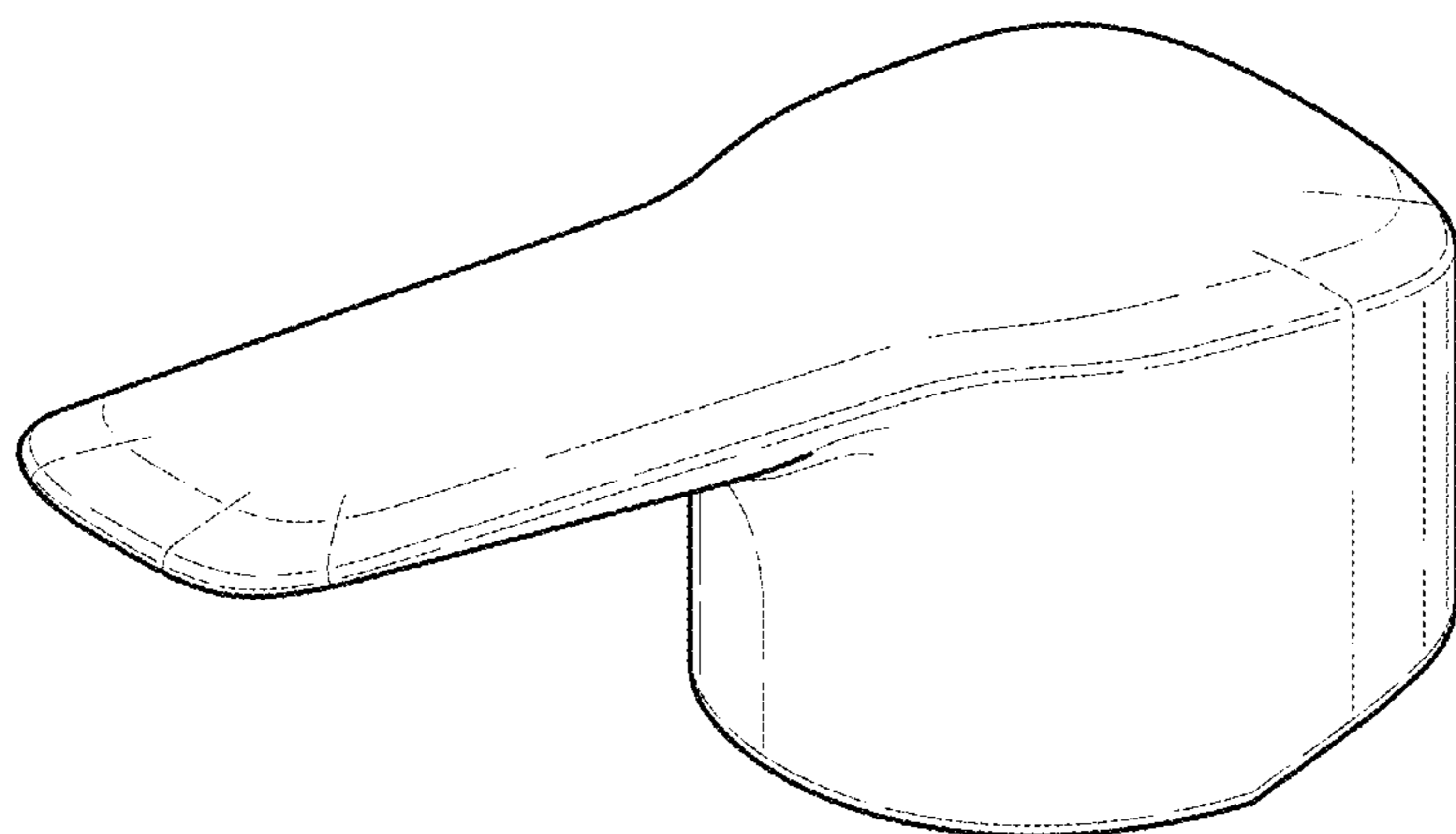


FIG. 2

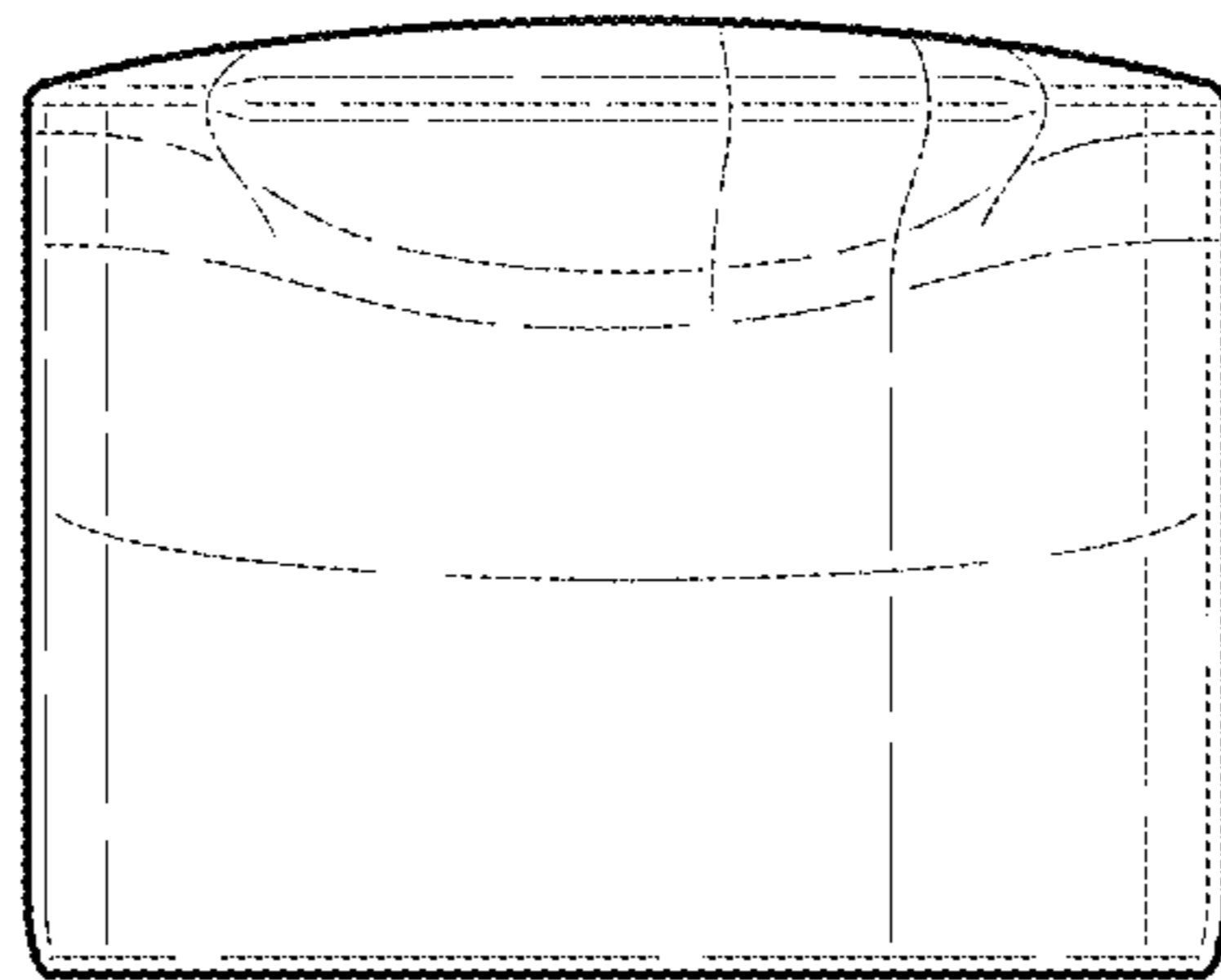


FIG. 3

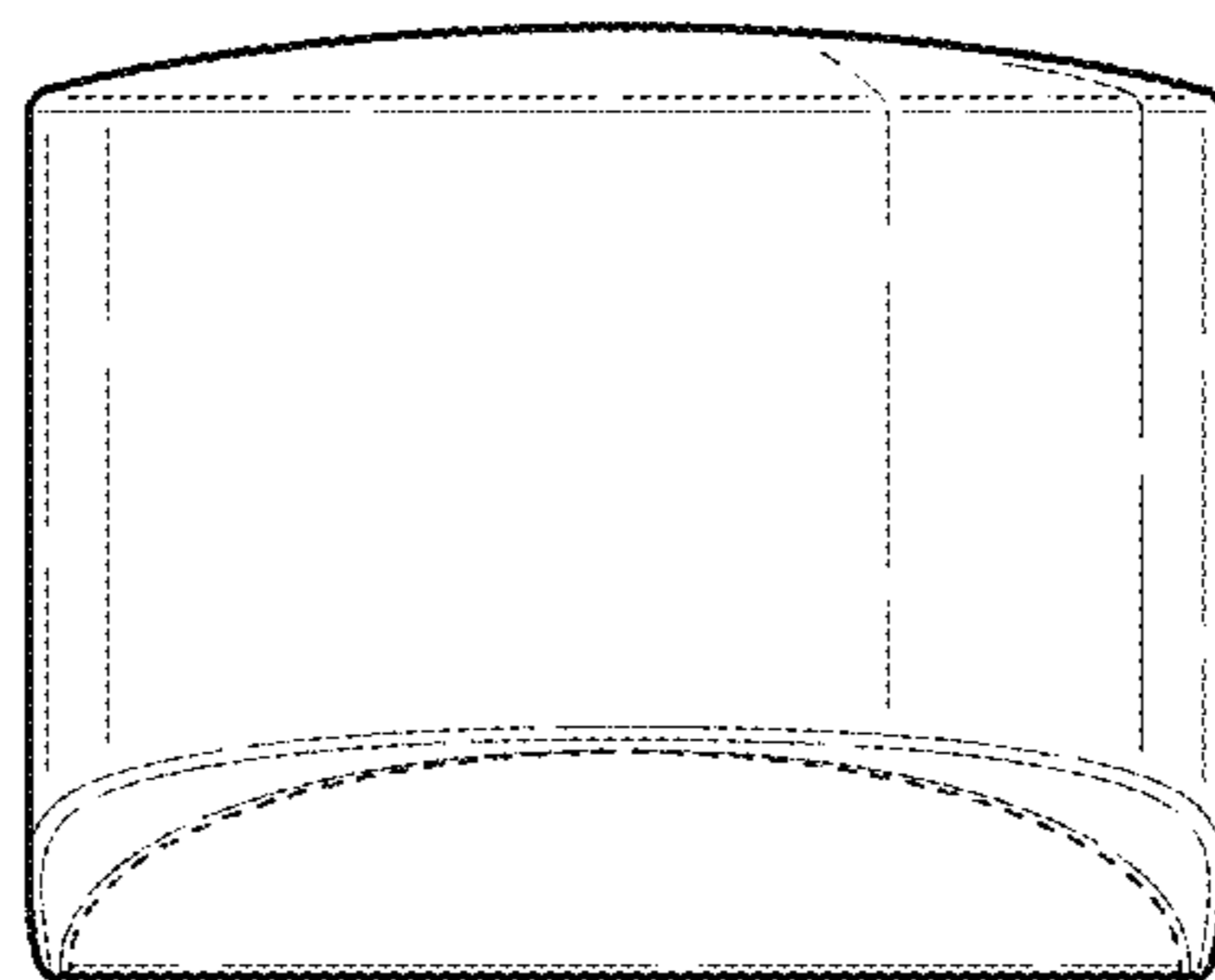


FIG. 4

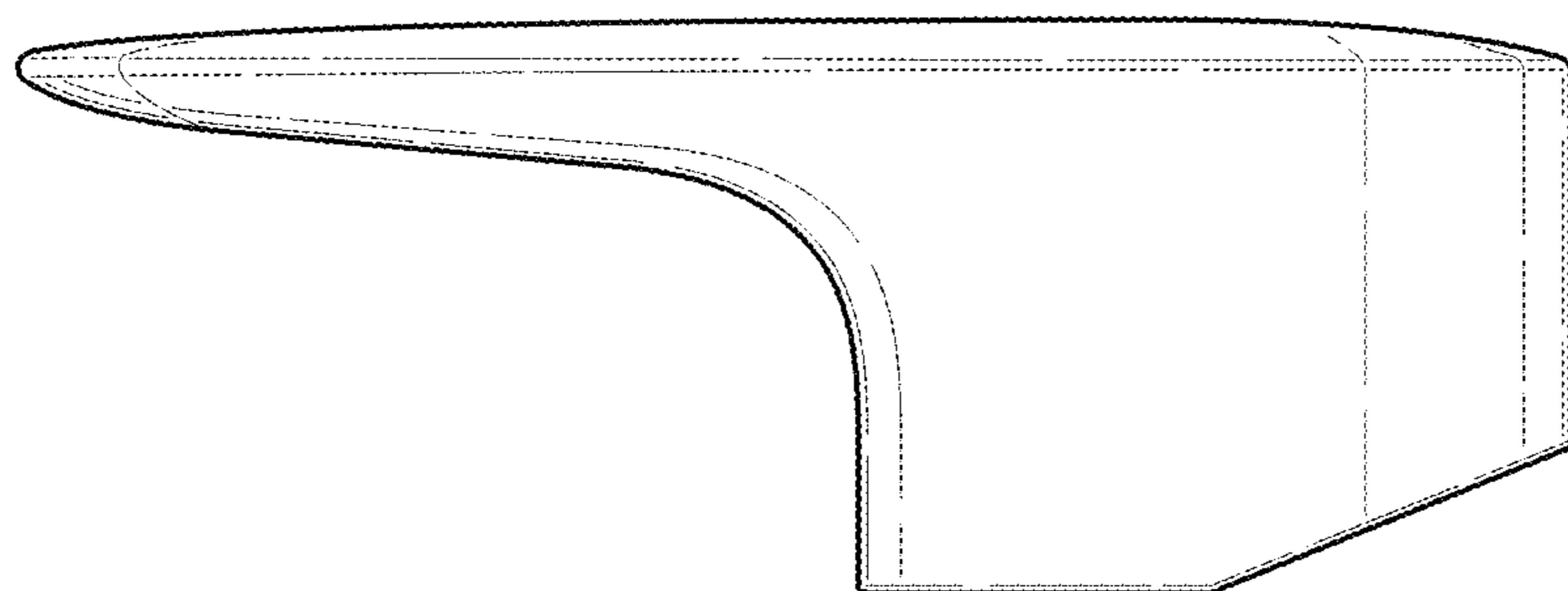


FIG. 5

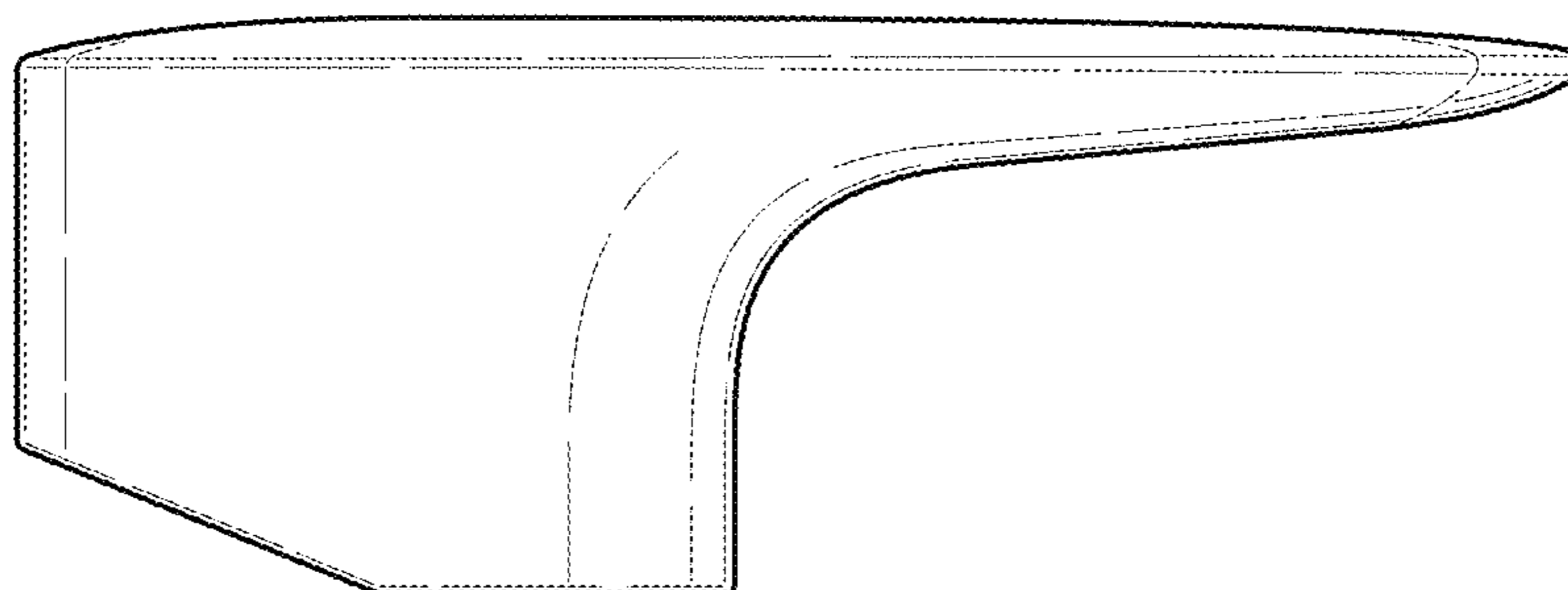


FIG. 6

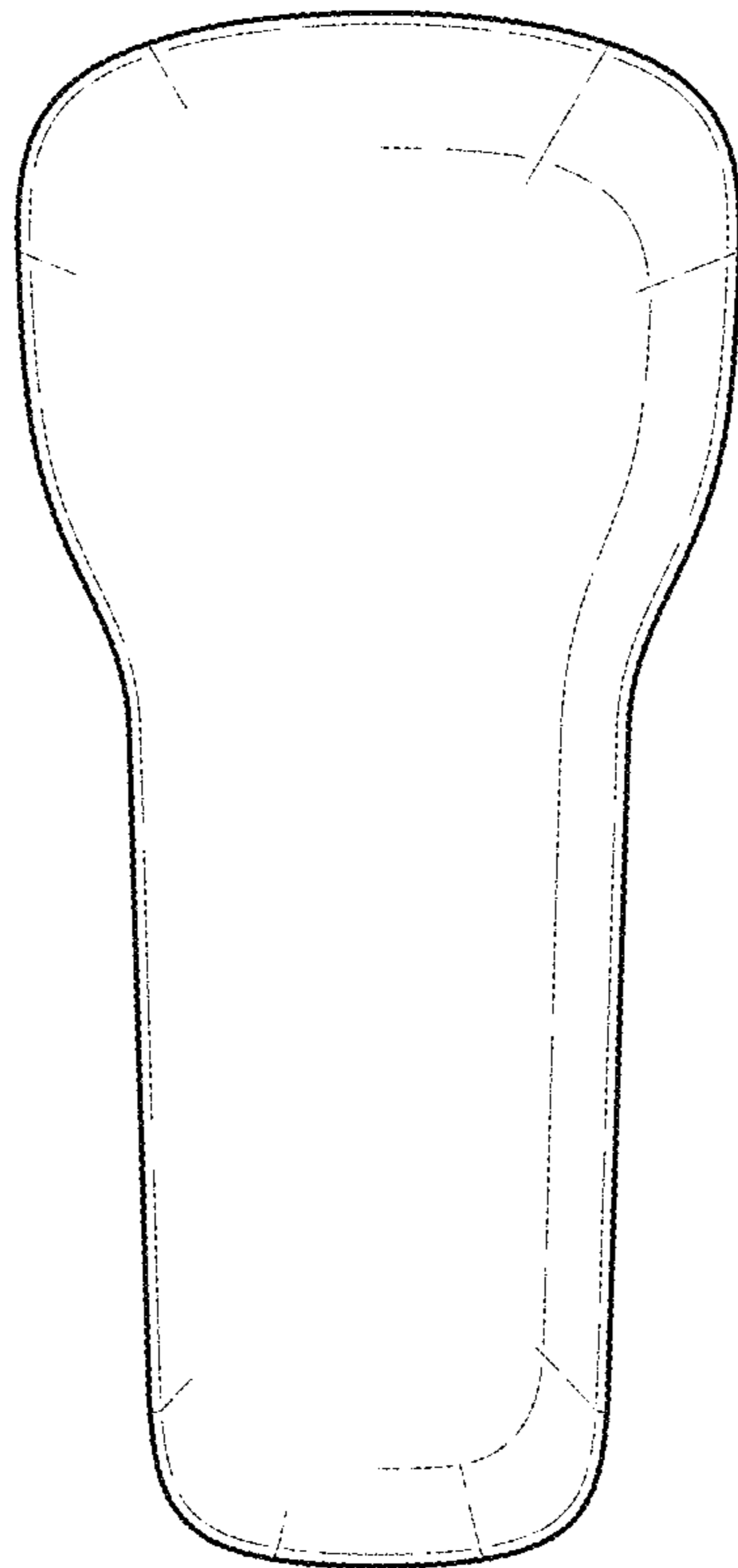


FIG. 7

