



US00D713012S

(12) **United States Design Patent**
Citterio

(10) **Patent No.:** **US D713,012 S**
(45) **Date of Patent:** **** Sep. 9, 2014**

(54) **WALL-MOUNTED FAUCET HANDLE**

(71) Applicant: **Hansgrohe SE**, Schiltach (DE)

(72) Inventor: **Antonio Citterio**, Milan (IT)

(73) Assignee: **Hansgrohe SE**, Schiltach (DE)

(**) Term: **14 Years**

(21) Appl. No.: **29/480,048**

(22) Filed: **Jan. 23, 2014**

(30) **Foreign Application Priority Data**

Jul. 26, 2013 (EM) 001379093-0006

(51) **LOC (10) Cl.** **23-01**

(52) **U.S. Cl.**
USPC **D23/252**

(58) **Field of Classification Search**
USPC D23/238-243, 250, 252; 4/675-678;
137/801

See application file for complete search history.

(56) **References Cited**

U.S. PATENT DOCUMENTS

D363,764 S 10/1995 Starck
D479,739 S * 9/2003 Citterio D23/238
D484,573 S 12/2003 Haug et al.

D492,011 S 6/2004 Blattner
D526,186 S 8/2006 Haug et al.
D603,938 S 11/2009 Schoenherr et al.
D625,779 S * 10/2010 Sandee et al. D23/238

FOREIGN PATENT DOCUMENTS

EM 002096412-0001 9/2012

* cited by examiner

Primary Examiner — Robert Delehanty

(74) *Attorney, Agent, or Firm* — Lora J. Graentzdoerffer

(57) **CLAIM**

The ornamental design for a wall-mounted faucet handle, as shown and described.

DESCRIPTION

FIG. 1 is a perspective view of a wall-mounted faucet handle showing my design;

FIG. 2 is a front elevational view;

FIG. 3 is a rear elevational view;

FIG. 4 is a left side elevational view;

FIG. 5 is a right side elevational view;

FIG. 6 is a top plan view; and,

FIG. 7 is a bottom plan view.

The broken lines in the drawings represent unclaimed portions of the design and form no part of the claimed design.

1 Claim, 7 Drawing Sheets

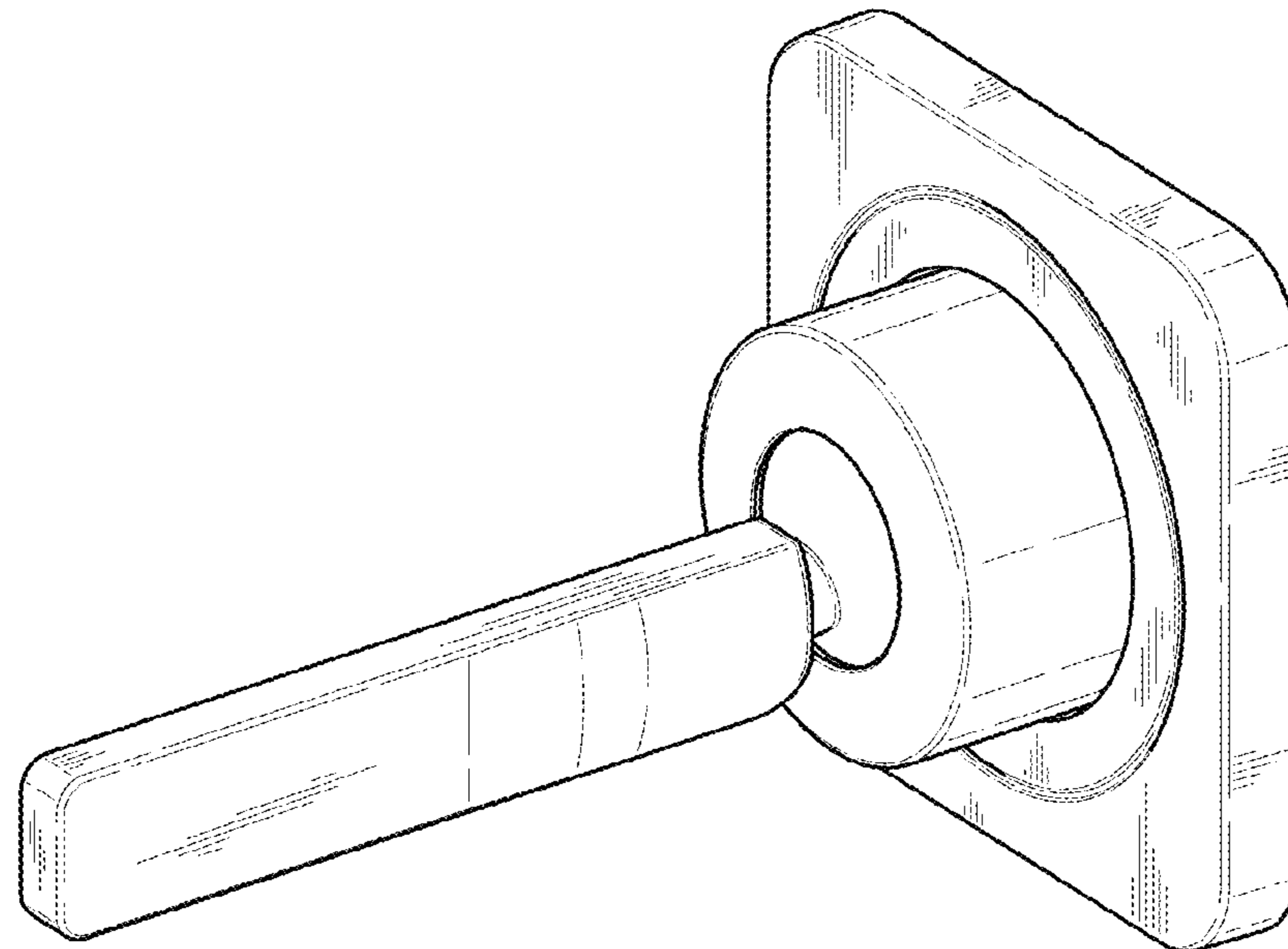


FIG. 1

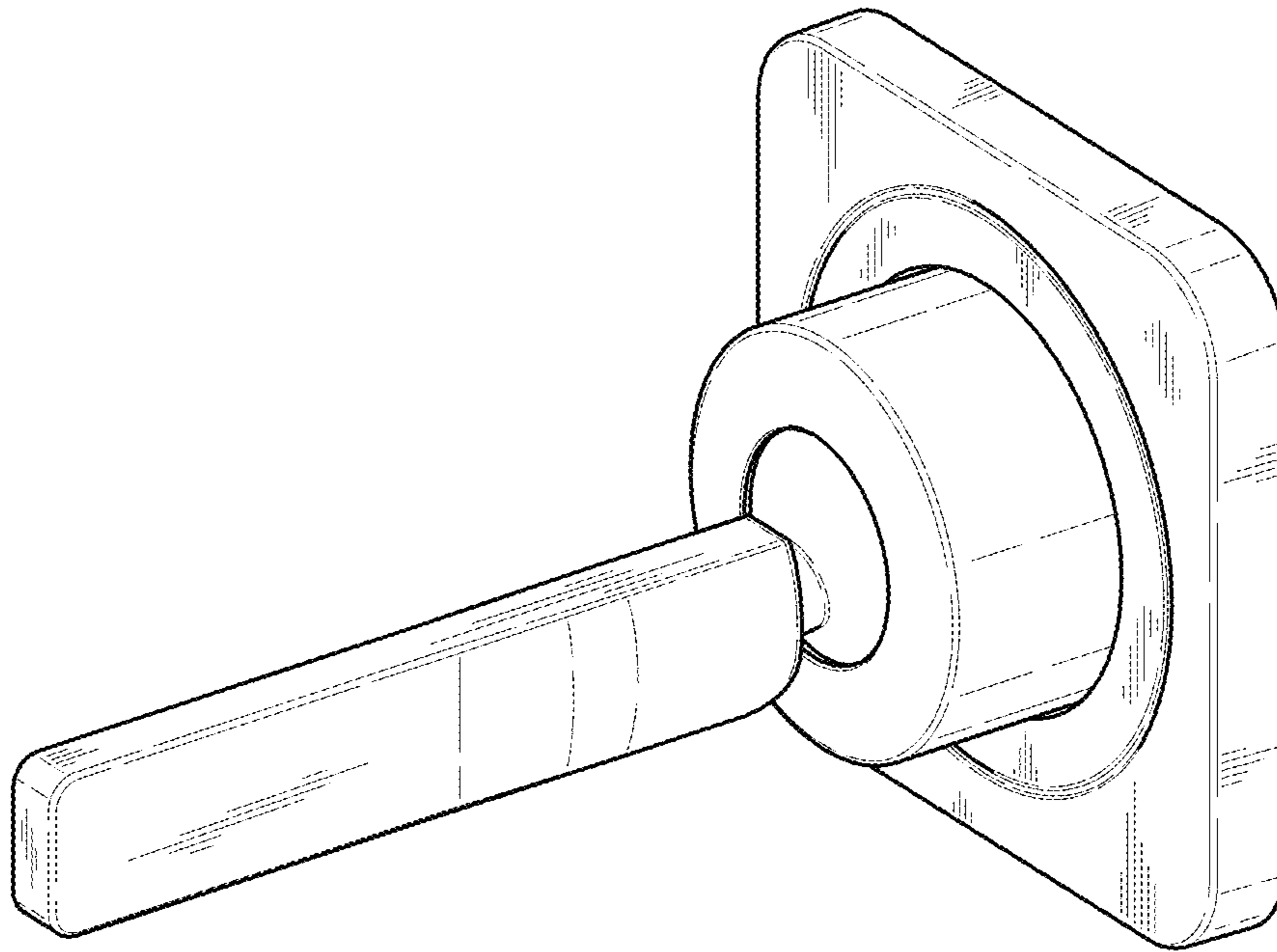


FIG. 2

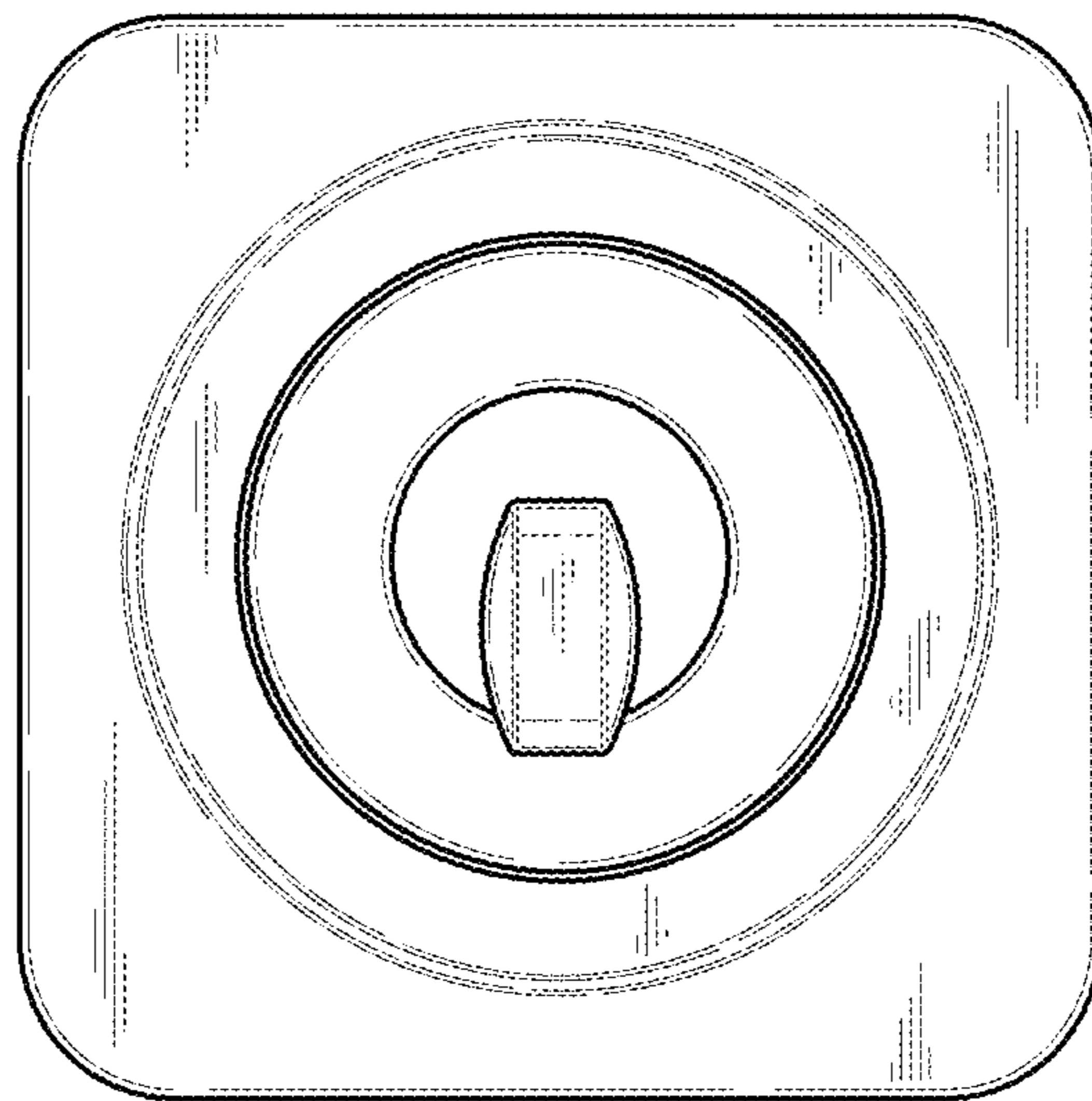


FIG. 3

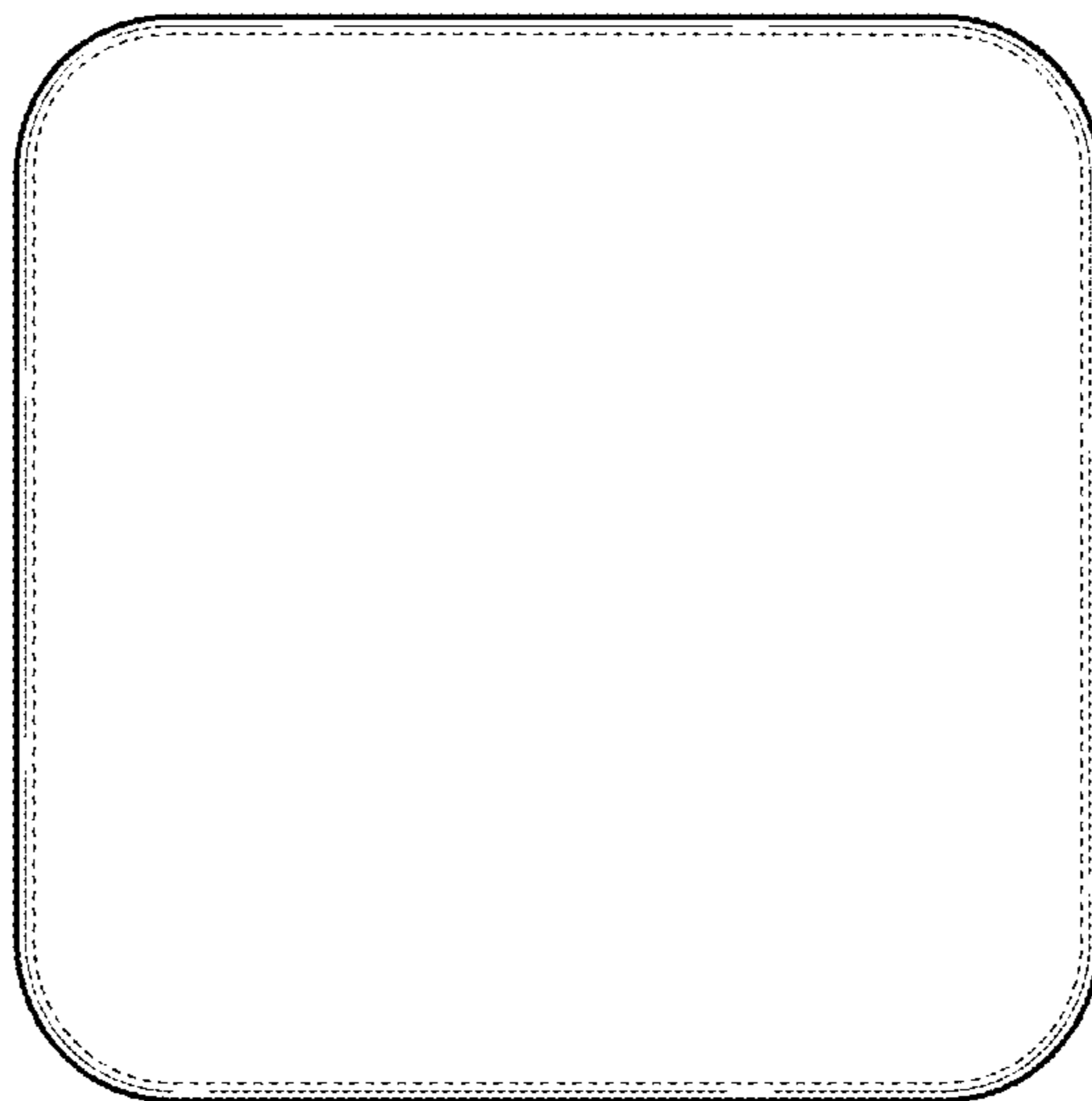


FIG. 4

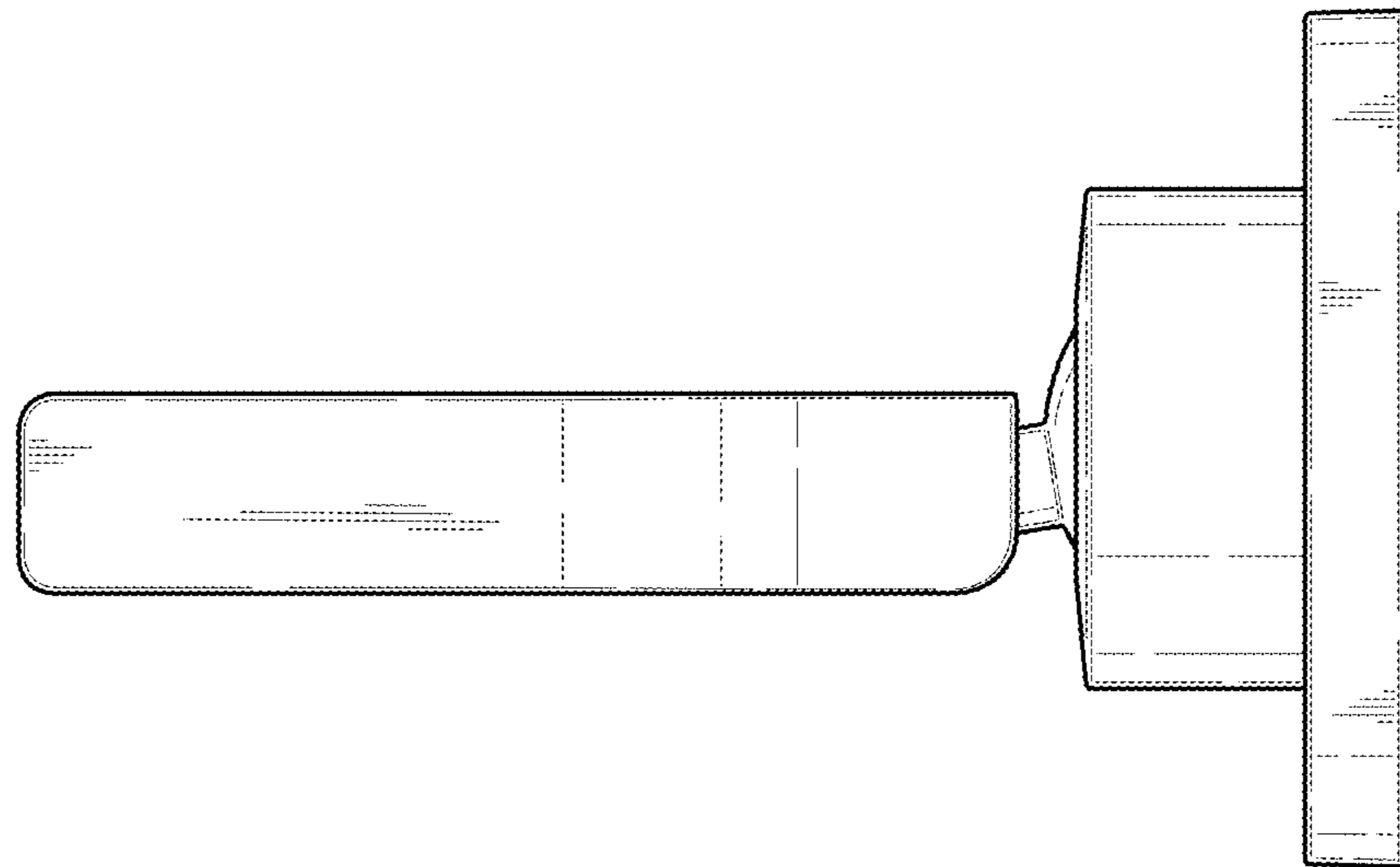


FIG.5

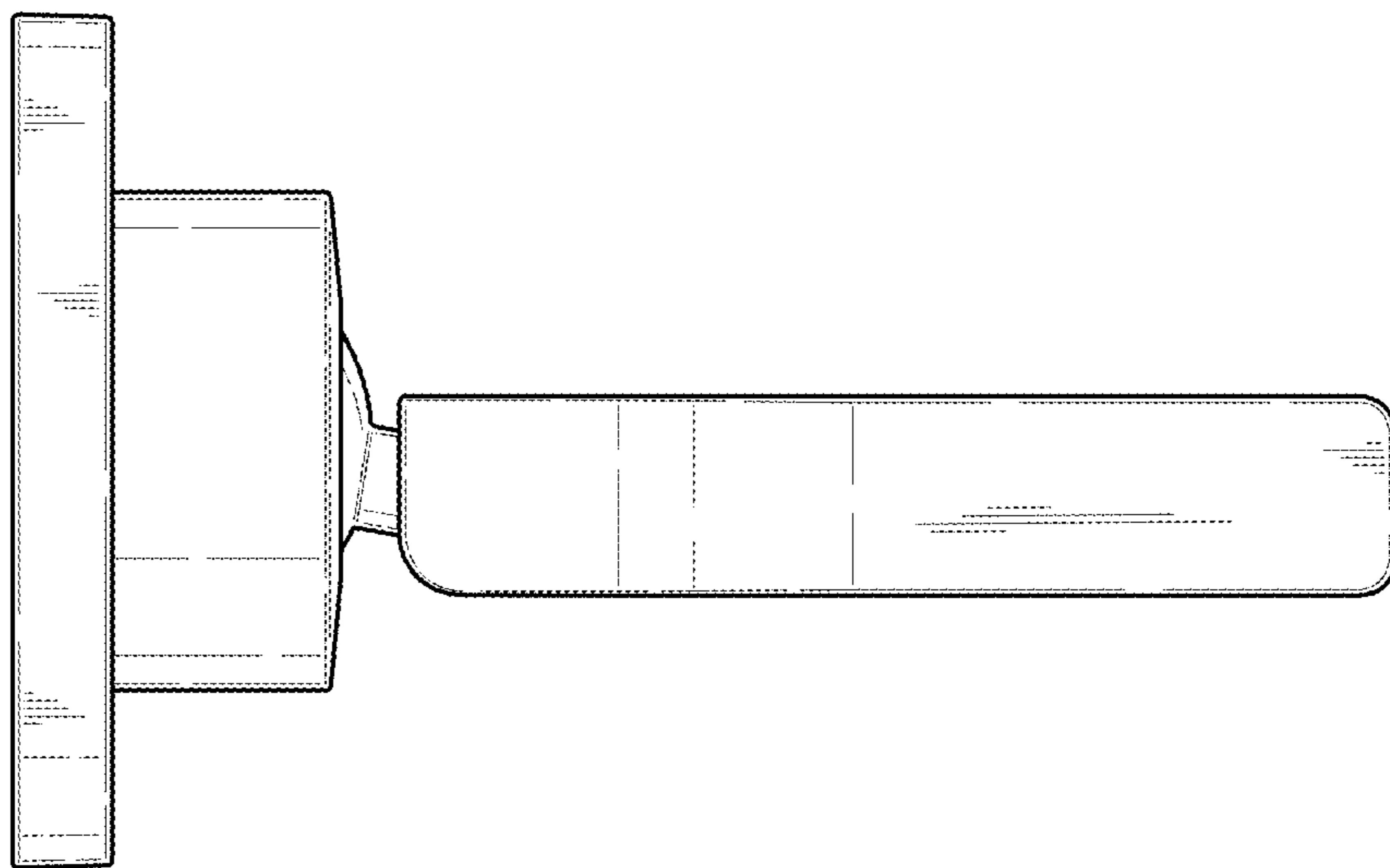


FIG. 6

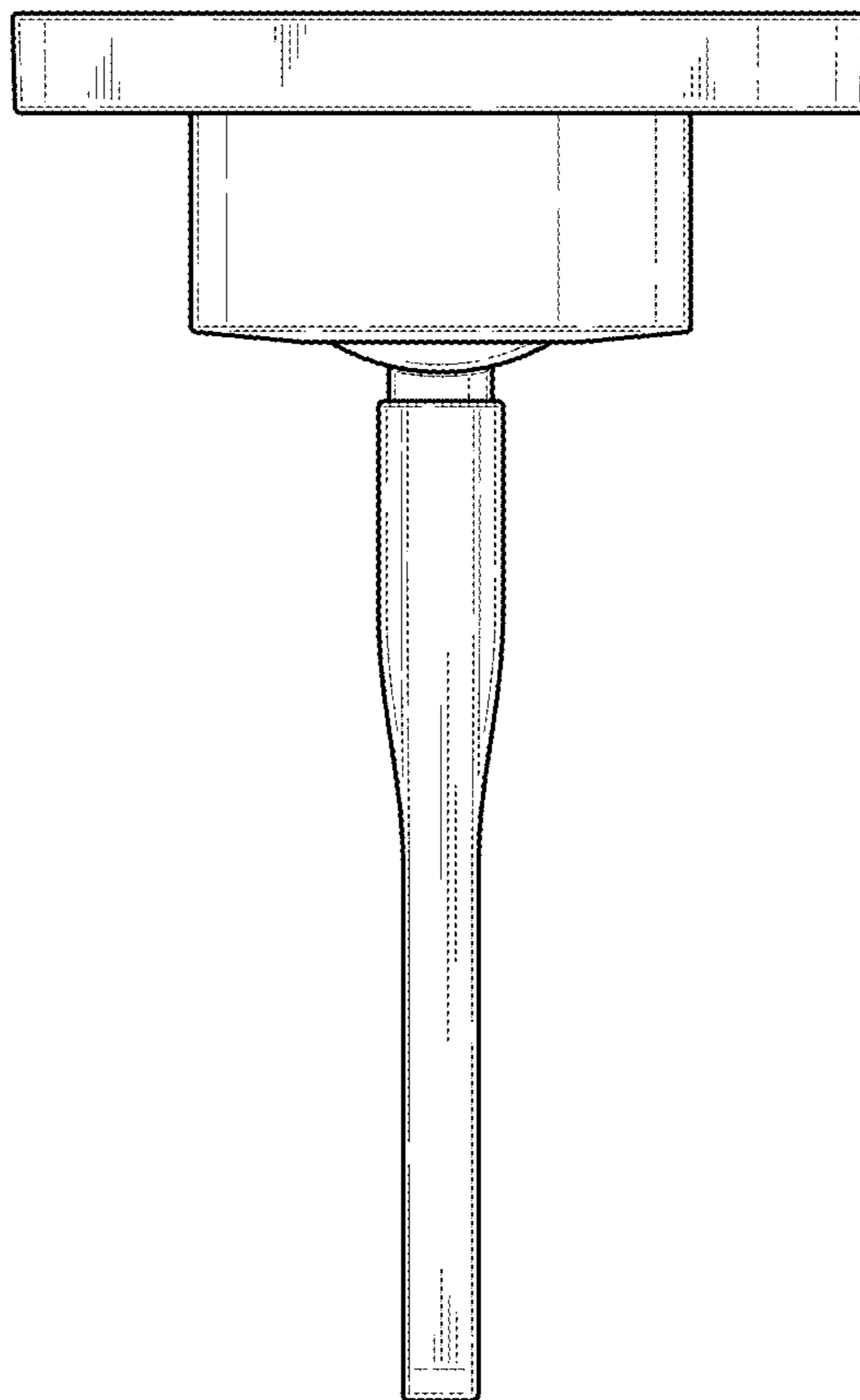


FIG. 7

